

US00D568131S

(12) **United States Design Patent**
Huguet et al.

(10) **Patent No.:** **US D568,131 S**

(45) **Date of Patent:** **** May 6, 2008**

(54) **HOUSING FOR A ROTARY TOOL**

D448,265 S * 9/2001 Chen D8/80

D448,268 S * 9/2001 Lamond et al. D8/107

(75) Inventors: **Martin C. Huguet**, Greer, SC (US);
Richard Alan Heidelberger, Mauldin,
SC (US)

(Continued)

(73) Assignee: **Professional Tool Products, LLC**,
Greenville, SC (US)

OTHER PUBLICATIONS

(**) Term: **14 Years**

http://aircompressorsdirect.com/catalog/images/TL1120_400.jpg,
(Jan. 18, 2006), 1 page.

(21) Appl. No.: **29/255,235**

(Continued)

(22) Filed: **Mar. 6, 2006**

Primary Examiner—Cathron C. Brooks

Assistant Examiner—Austin Murphy

(74) *Attorney, Agent, or Firm*—Alston & Bird LLP

(51) **LOC (8) Cl.** **08-04**

(52) **U.S. Cl.** **D8/61**

(58) **Field of Classification Search** D8/61,
D8/62, 68, 83, 70, 107, 80; 81/57.11, 57.13,
81/57.14, 57.26, 57.29, 57.39, 57.42, 63.1,
81/429, 464, 467, 469, 470, 473; 173/168,
173/169, 170, 176, 177, 178, 181, 216, 217;
73/862.21; 310/50

(57) **CLAIM**

The ornamental design for a housing for a rotary tool, as
shown and described.

See application file for complete search history.

DESCRIPTION

(56) **References Cited**

U.S. PATENT DOCUMENTS

D269,847 S	7/1983	Izumisawa	
D310,160 S	8/1990	Patel	
4,962,787 A	10/1990	Mayhew	
D323,274 S *	1/1992	Sasaki et al.	D8/61
D332,733 S *	1/1993	Staubitz et al.	D8/61
D333,077 S	2/1993	Mikiya	
D347,372 S *	5/1994	Ghode et al.	D8/61
D357,848 S	5/1995	Izumisawa	
D361,028 S	8/1995	Izumisawa	
D378,727 S	4/1997	Kikuchi	
D379,909 S	6/1997	Hawkins	
D427,038 S	6/2000	Lin	
D432,379 S *	10/2000	Sun	D8/70
D433,905 S	11/2000	Cooper	
D444,047 S *	6/2001	Chen	D8/83
D446,431 S	8/2001	Lui	
D446,432 S	8/2001	Heun	
D446,433 S	8/2001	Bass et al.	

FIG. 1 is a perspective view of a housing for a rotary tool
according to an embodiment of the present invention;

FIG. 2 is a right side elevation view of the housing for a
rotary tool shown in FIG. 1, the left side elevation view
being a mirror image thereof;

FIG. 3 is a top view of the housing for a rotary tool shown
in FIG. 1;

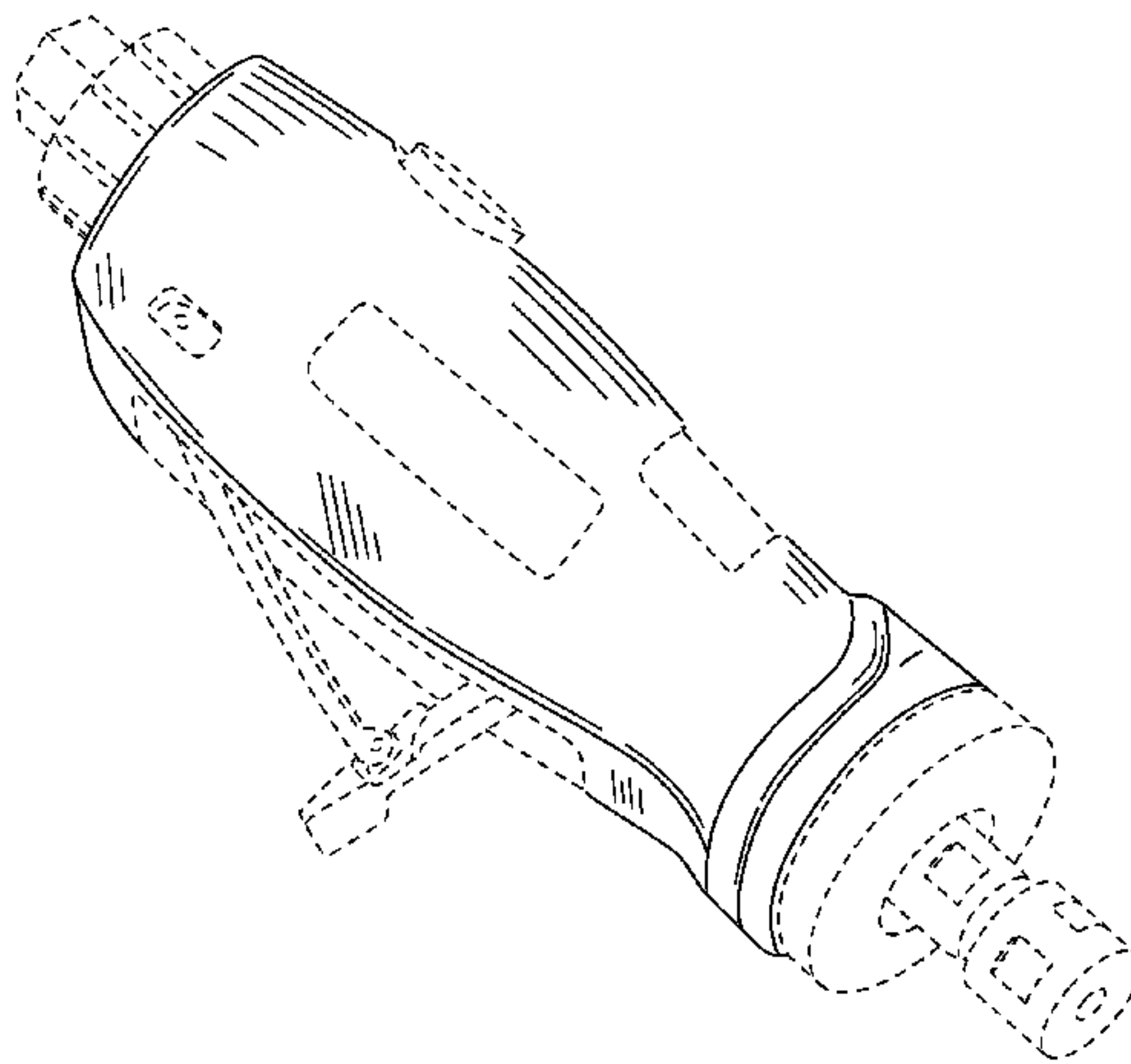
FIG. 4 is a bottom view of the housing for a rotary tool
shown in FIG. 1;

FIG. 5 is a front elevation view of the housing for a rotary
tool shown in FIG. 1; and,

FIG. 6 is a rear elevation view of the housing for a rotary tool
shown in FIG. 1.

The broken lines shown herein are for illustrative purposes
only and form no part of the claimed design.

1 Claim, 6 Drawing Sheets



U.S. PATENT DOCUMENTS

D449,212	S	*	10/2001	Price et al.	D8/107
D456,683	S		5/2002	Chen		
D465,397	S	*	11/2002	Chen	D8/107
D465,981	S		11/2002	Bass et al.		
D468,605	S	*	1/2003	Morgan	D8/61
D470,374	S	*	2/2003	Murray	D8/61
6,644,419	B1	*	11/2003	Chen	173/169
D484,016	S	*	12/2003	Baker	D8/61
D484,379	S	*	12/2003	Chen	D8/61
D484,380	S		12/2003	Chen		
D490,680	S	*	6/2004	Levine et al.	D8/83
D491,032	S	*	6/2004	Baker	D8/61
6,751,952	B2	*	6/2004	Chen	60/407
D507,730	S		7/2005	Oles et al.		
6,932,165	B1	*	8/2005	Sun et al.	173/169
D511,284	S		11/2005	Henssler et al.		
RE39,009	E		3/2006	Izumisawa		
D517,388	S	*	3/2006	Hsieh	D8/83
D521,334	S		5/2006	Chen		
D525,498	S	*	7/2006	Chen	D8/61
D525,500	S	*	7/2006	Chen	D8/61
7,073,774	B2		7/2006	Chen		
D531,472	S	*	11/2006	Schiller et al.	D8/61
D531,875	S	*	11/2006	Chen	D8/80
D535,542	S	*	1/2007	Engvall et al.	D8/107
D536,233	S	*	2/2007	Lin	D8/107
D542,620	S	*	5/2007	Thompson et al.	D8/107

OTHER PUBLICATIONS

http://aircompressorsdirect.com/catalog/images/024-0078SP_400.jpg (Jan. 18, 2006), 1 page.
http://aircompressorsdirect.com/catalog/images/IFT22000RB_400.jpg (Jan. 18, 2006), 1 page.
http://www.northerntool.com/images/product/images/158190_1g.jpg (Jan. 18, 2006), 1 page.
http://www.northerntool.com/images/product/images/154604_1g.jpg (Jan. 18, 2006), 1 page.

<http://www.matcotools.com/ProductImages/mt1890.jpg> (Jan. 18, 2006), 1 page.
<http://www.matcotools.com/ProductImages/mt1834.jpg> (Jan. 5, 2006), 1 page.
<http://www.matcotools.com/ProductImages/mt1842.jpg> (Jan. 5, 2006), 1 page.
http://aircompressorsdirect.com/catalog/images/IFT22000RB_400.jpg (Jan. 18, 2006), 1 page.
<http://www.jackxchange.com/images/products/CP-863.jpg> (Jan. 18, 2006), 1 page.
http://www.northerntool.com/images/product/images/110434_1g.jpg (Jan. 18, 2006), 1 page.
http://www.northerntool.com/images/product/images/158190_1g.jpg (Jan. 18, 2006), 1 page.
http://www.northerntool.com/images/product/images/157790_1g.jpg (Jan. 18, 2006), 1 page.
http://www.northerntool.com/images/product/images/154604_1g.jpg (Jan. 18, 2006), 1 page.
<http://images.amazon.com/images/P/B0002JMBKG.01-A18F233SN21KKY.SCLZZZZZZZ.jpg> (Jan. 5, 2006), 1 page.
<http://www.matcotools.com/ProductImages/mt1880.jpg> (Jan. 18, 2006), 1 page.
<http://www.matcotools.com/ProductImages/mt1883.jpg> (Jan. 18, 2006), 1 page.
<http://www.matcotools.com/ProductImages/mt1890.jpg> (Jan. 18, 2006), 1 page.
<http://www.matcotools.com/ProductImages/SE315.jpg> (Jan. 18, 2006), 1 page.
<http://www.matcotools.com/ProductImages/r1301.jpg> (Jan. 18, 2006), 1 page.
<http://www.matcotools.com/ProductImages/mt1834.jpg> (Jan. 05, 2006), 1 page.
<http://www.matcotools.com/ProductImages/mt1842.jpg> (Jan. 5, 2006), 1 page.

* cited by examiner

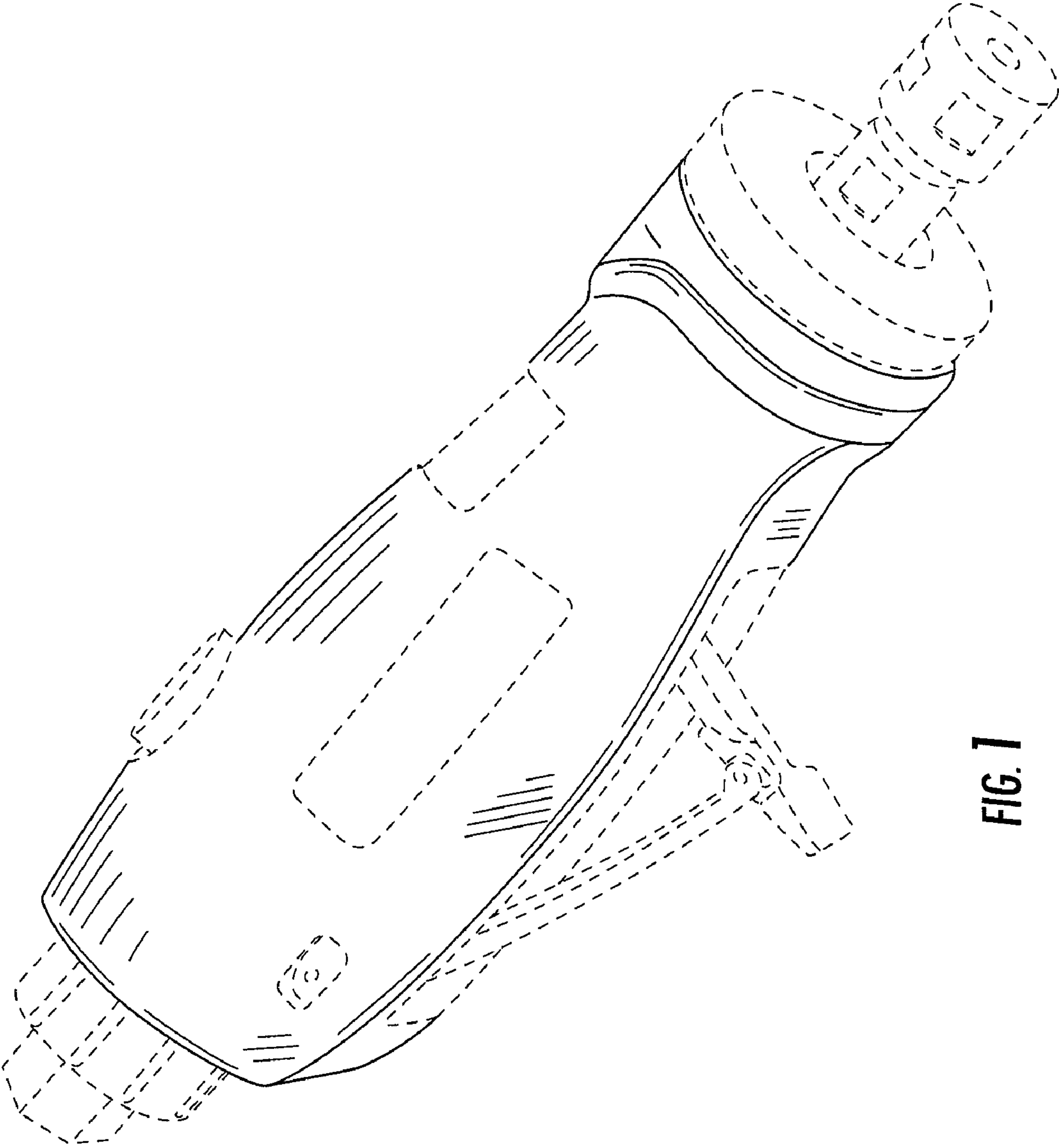


FIG. 1

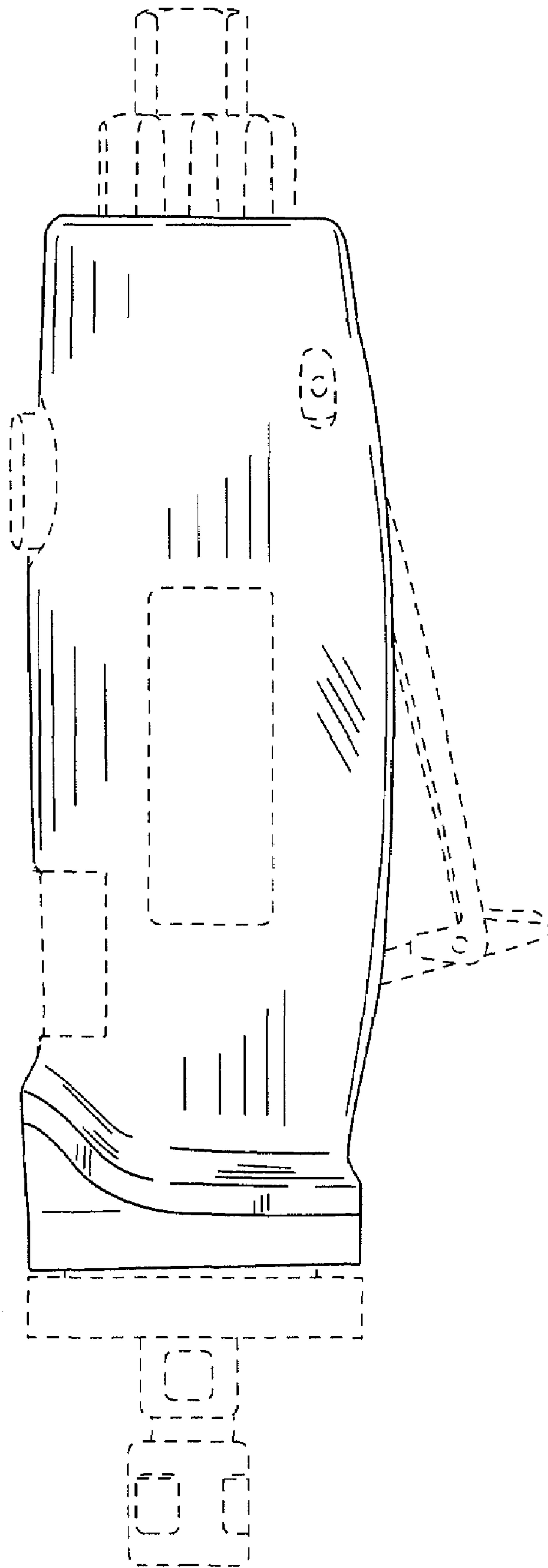


FIG. 2

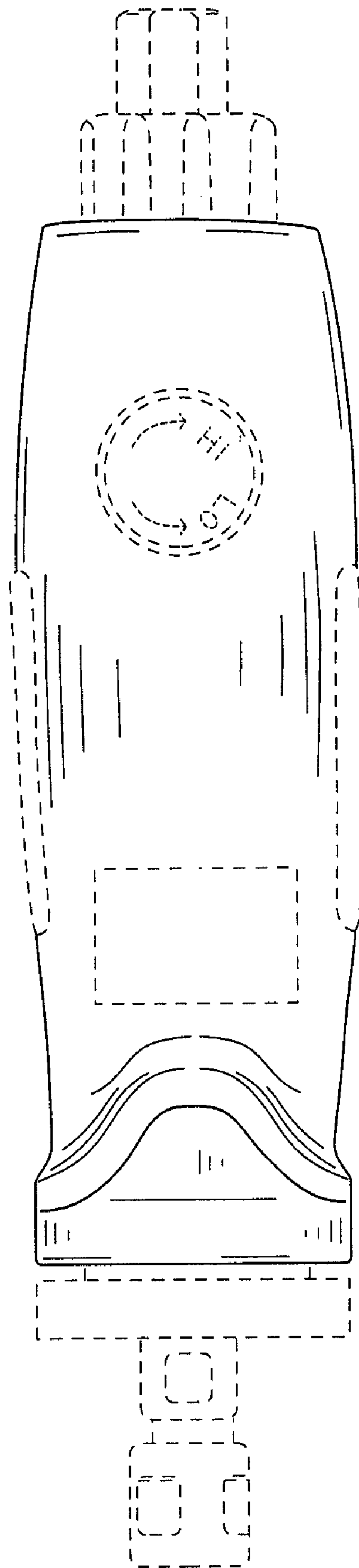


FIG. 3

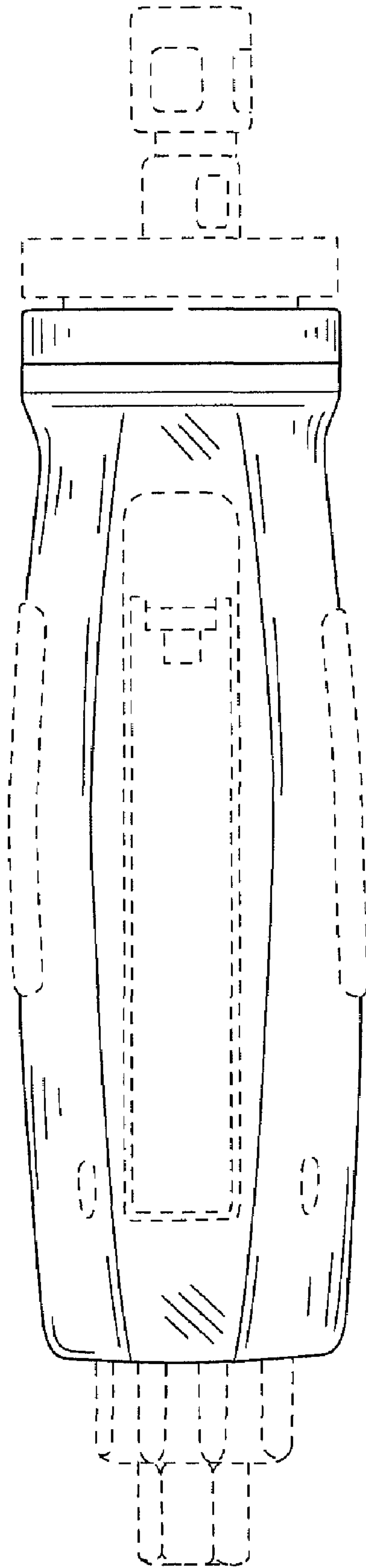


FIG. 4

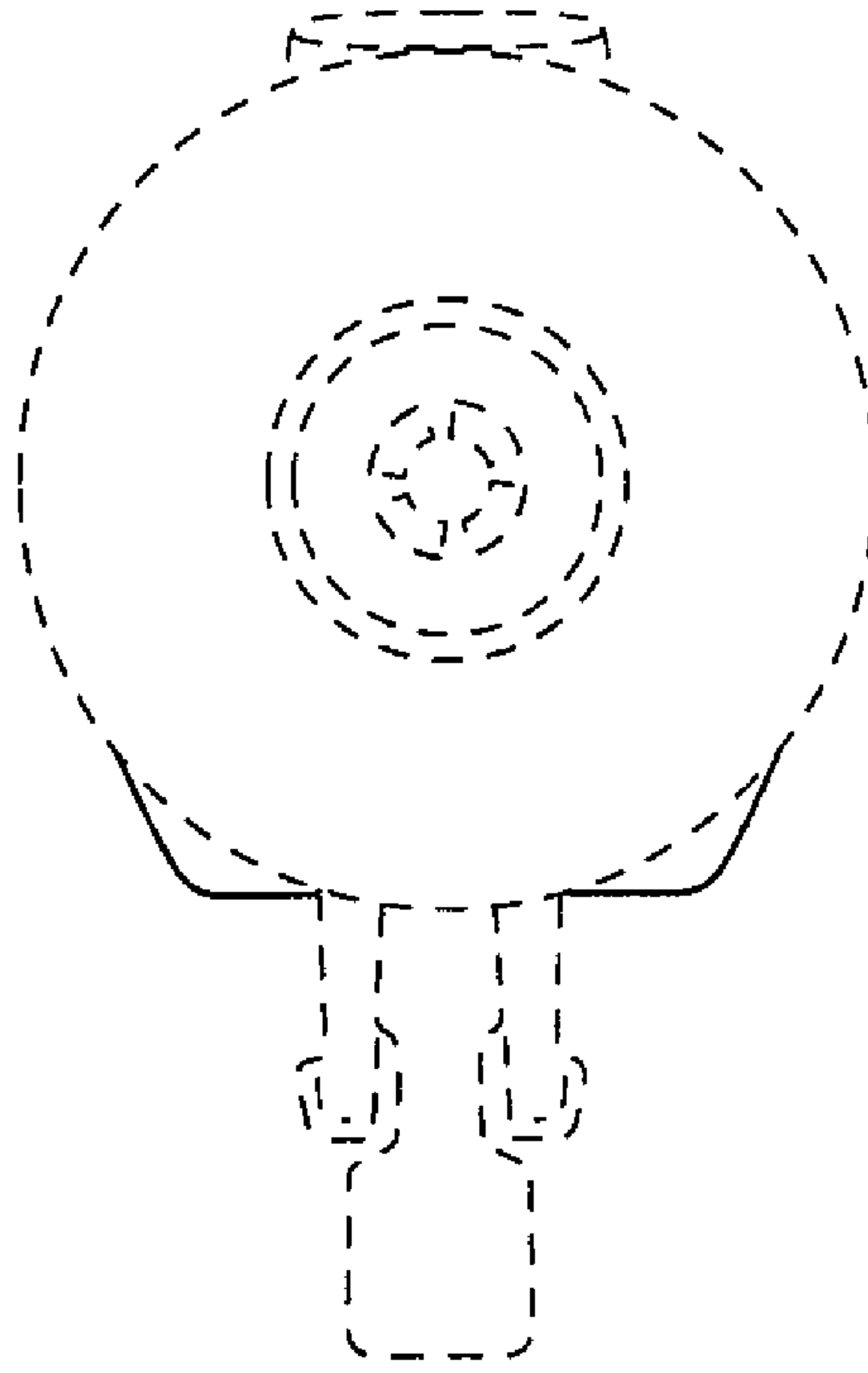


FIG. 5

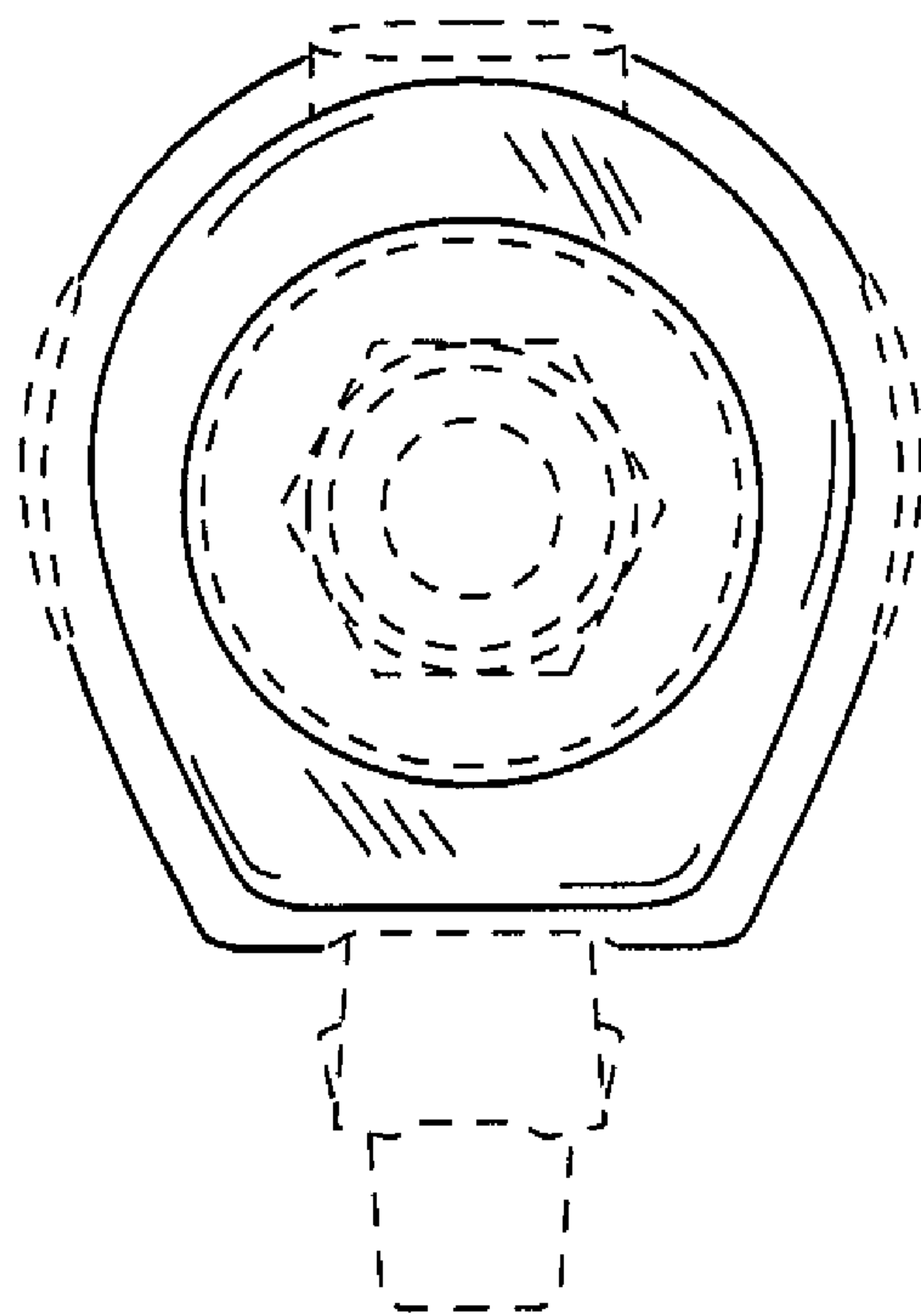


FIG. 6