



US00D568127S

(12) **United States Design Patent**
Oas

(10) **Patent No.:** **US D568,127 S**

(45) **Date of Patent:** **** May 6, 2008**

(54) **CARABINER BOTTLE OPENER**

(76) Inventor: **Daniel Oas**, 6250 N. Irwindale Ave.,
Irwindale, CA (US) 91702

(**) Term: **14 Years**

(21) Appl. No.: **29/285,711**

(22) Filed: **Apr. 4, 2007**

(51) **LOC (8) Cl.** **07-99**

(52) **U.S. Cl.** **D8/34**

(58) **Field of Classification Search** D8/16,
D8/18, 19, 33, 34, 38, 40; D32/46; 7/151,
7/152, 156; 81/3.07, 3.09, 3.27, 3.31, 3.35,
81/3.47, 3.55, 3.56, 3.57

See application file for complete search history.

(56) **References Cited**

U.S. PATENT DOCUMENTS

D172,571 S *	7/1954	Ward	D8/34
D273,555 S *	4/1984	Tanner	D8/40
D277,635 S *	2/1985	Sherwood	D8/18
D277,725 S *	2/1985	Silkebakken et al.	D8/40
D287,093 S *	12/1986	Ryan	D8/34
D287,693 S *	1/1987	Janiszski	D8/40
D440,135 S *	4/2001	Vaught	D8/40
D488,371 S *	4/2004	Shaljian	D8/354
D488,691 S *	4/2004	Ziems	D8/40

D492,188 S *	6/2004	Goldberg	D8/356
D496,570 S *	9/2004	Wolf	D8/40
D505,847 S *	6/2005	Kelleghan	D8/40
D519,010 S *	4/2006	Oas	D8/34

* cited by examiner

Primary Examiner—Caron D. Veynar

Assistant Examiner—Garth Rademaker

(74) *Attorney, Agent, or Firm*—Edgar W. Averill, Jr.;
Kenneth L. Green

(57) **CLAIM**

The ornamental design for a carabiner bottle opener, as shown.

DESCRIPTION

FIG. 1 is a front, bottom, right side perspective view of a carabiner bottle opener showing my new design.

FIG. 2 is a front view thereof.

FIG. 3 is a right side view thereof.

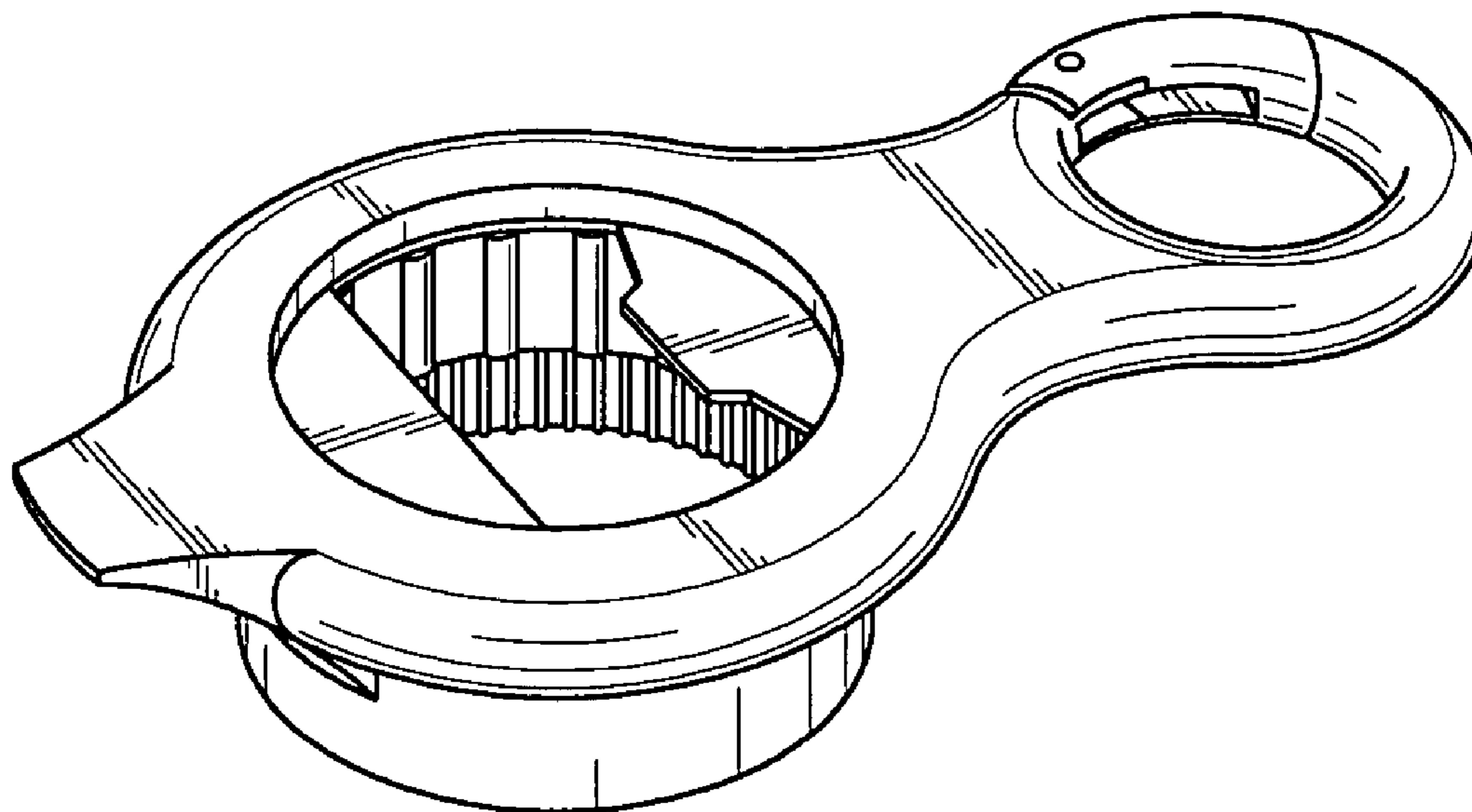
FIG. 4 is a left side view thereof.

FIG. 5 is a bottom view thereof.

FIG. 6 is a top view thereof; and,

FIG. 7 is a back view thereof.

1 Claim, 3 Drawing Sheets



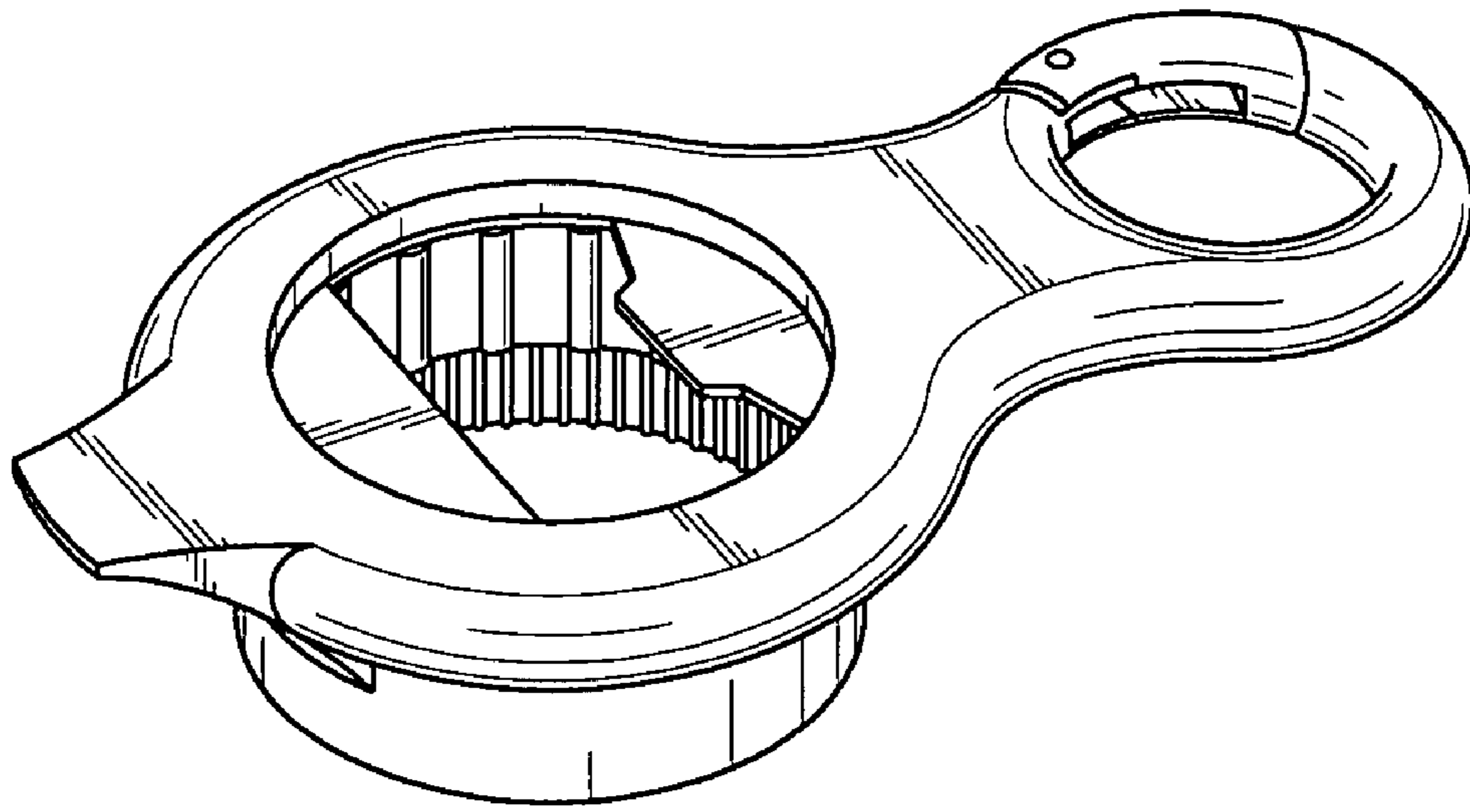


FIG. 1

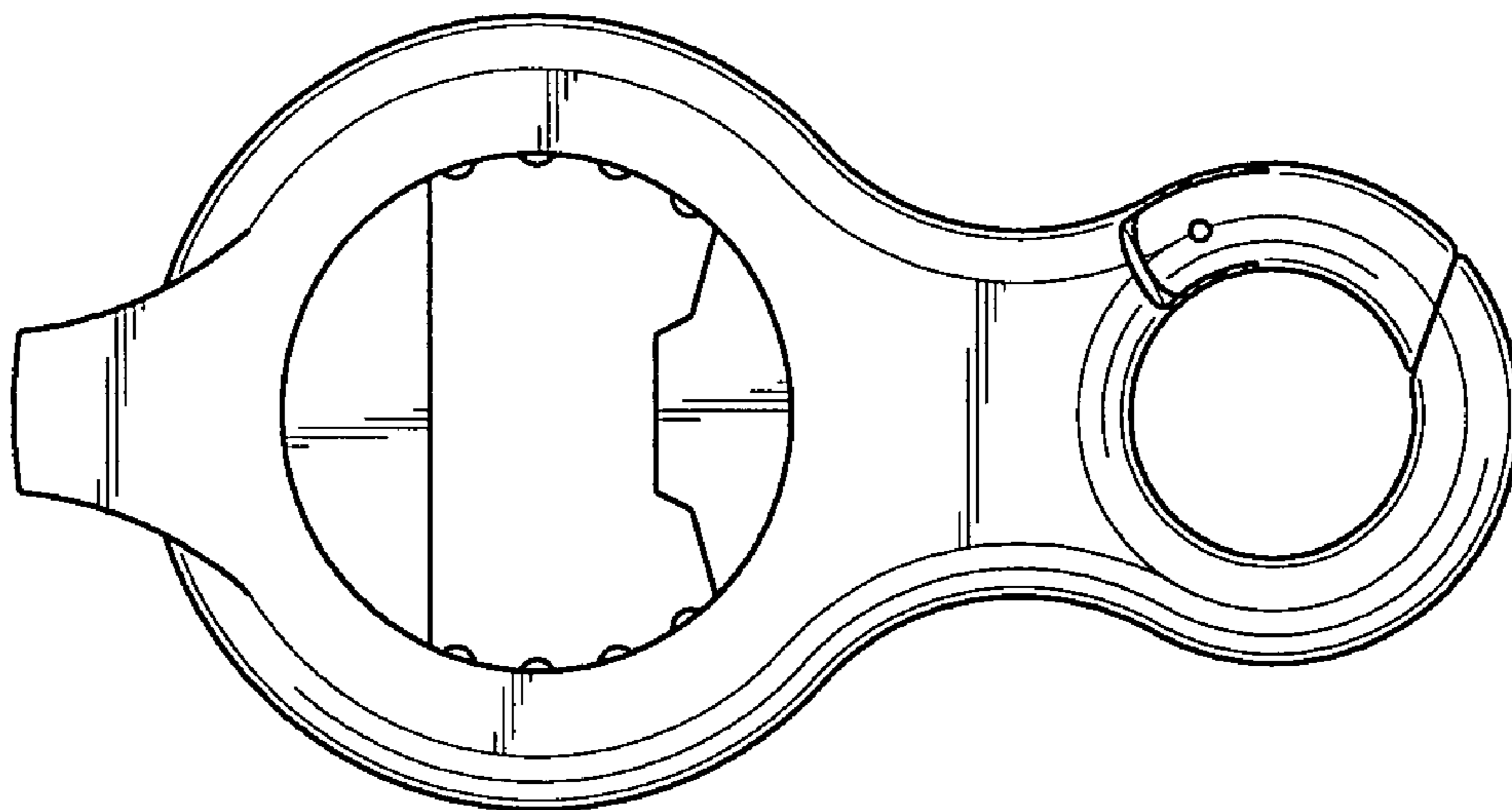


FIG. 2

FIG. 3

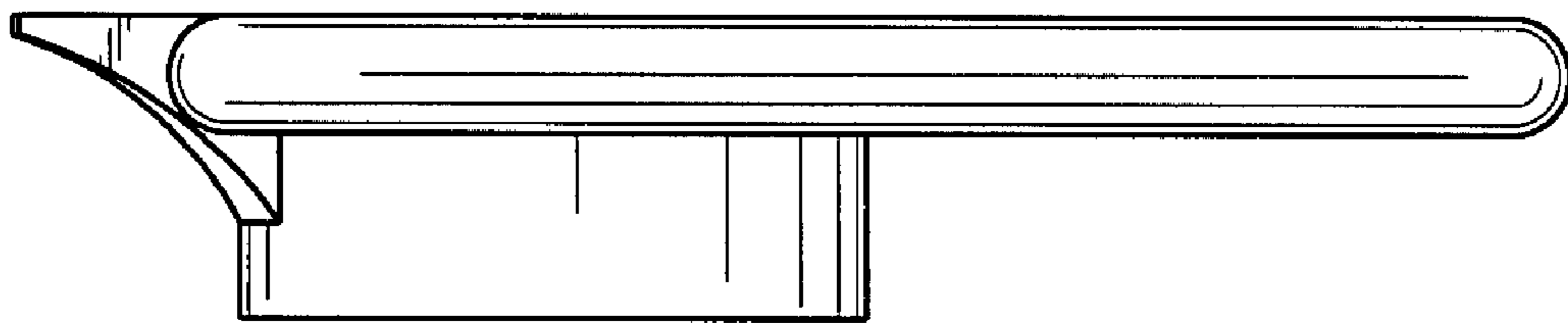
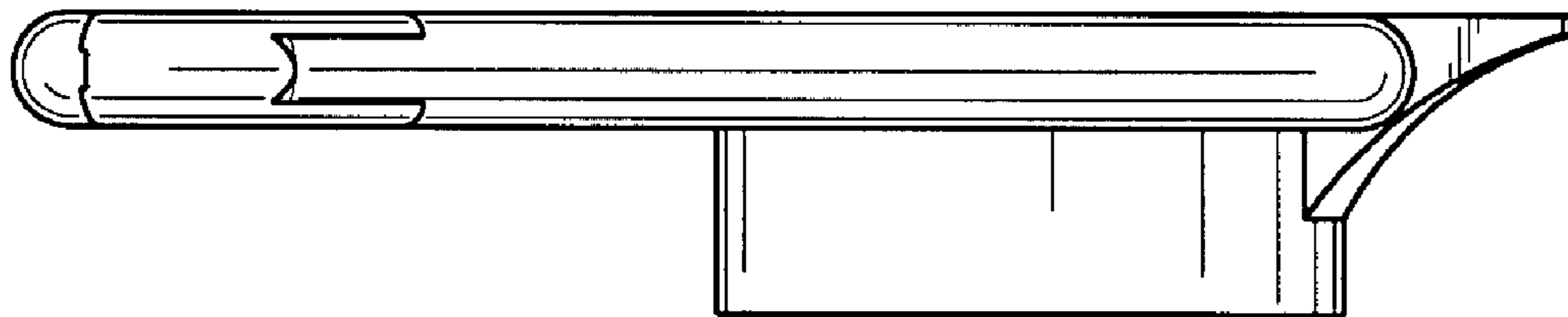


FIG. 4



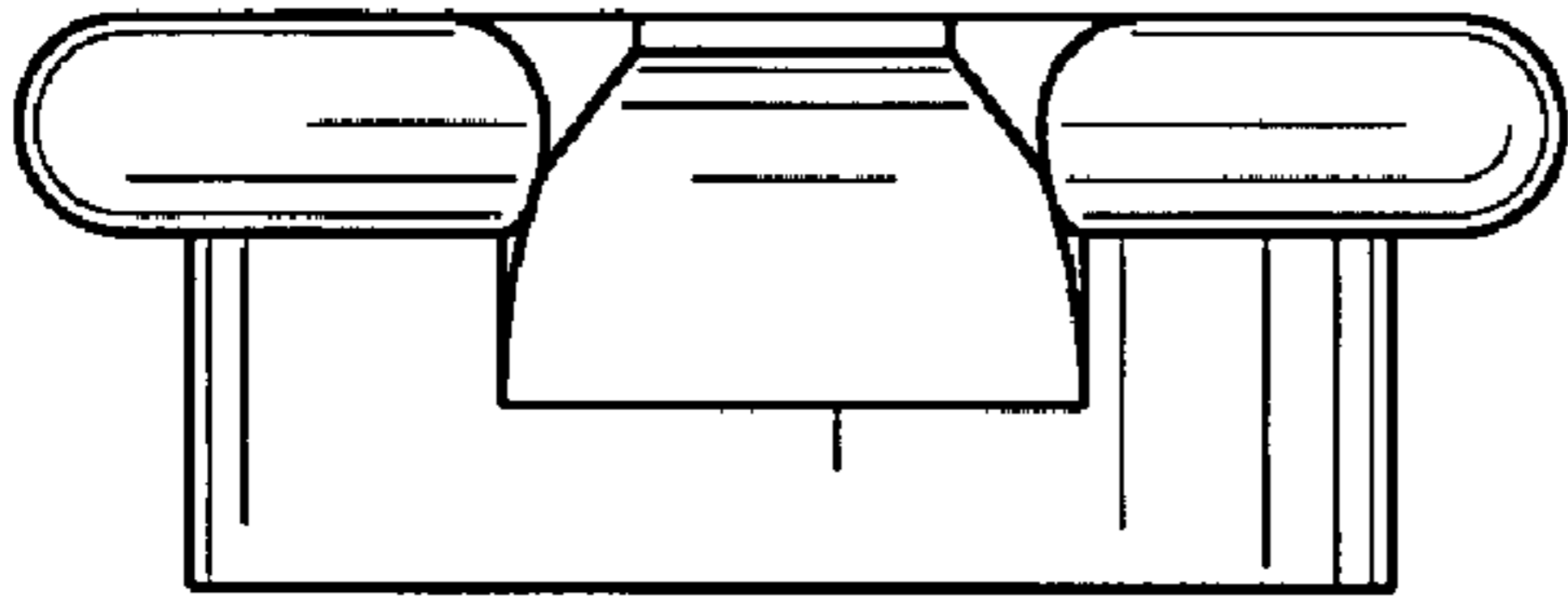


FIG. 5

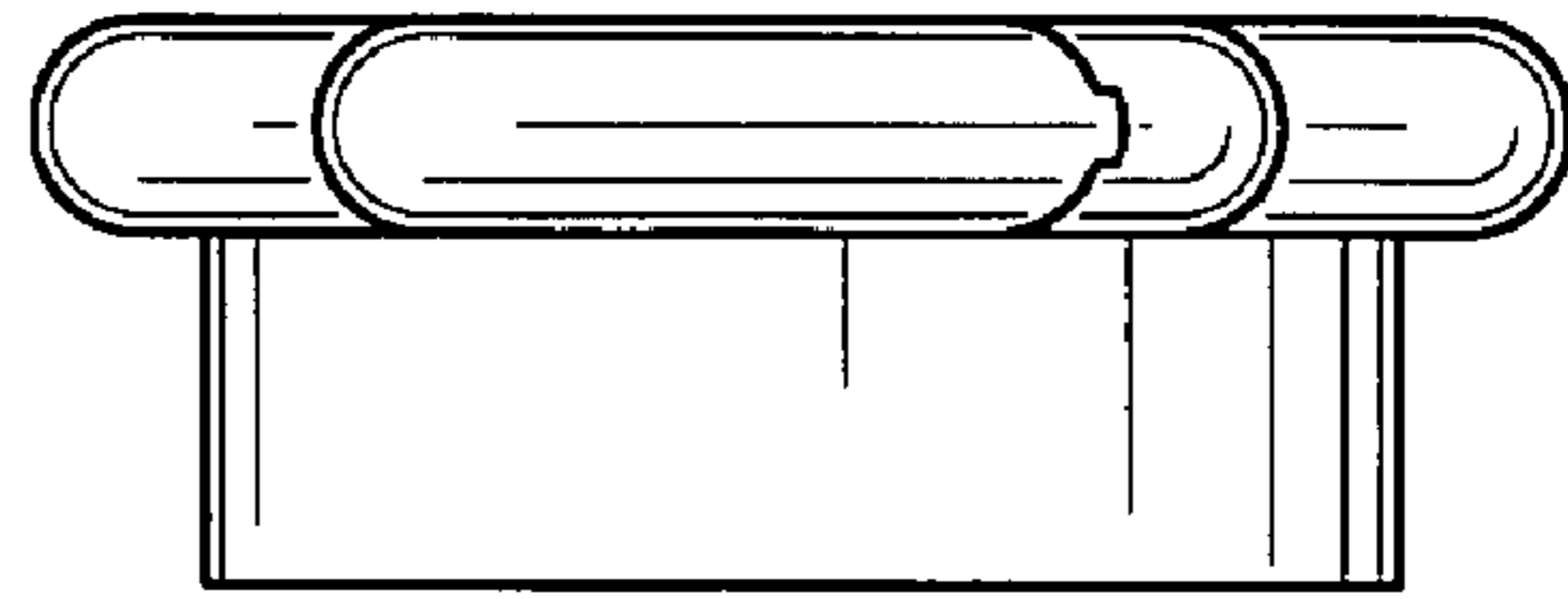


FIG. 6

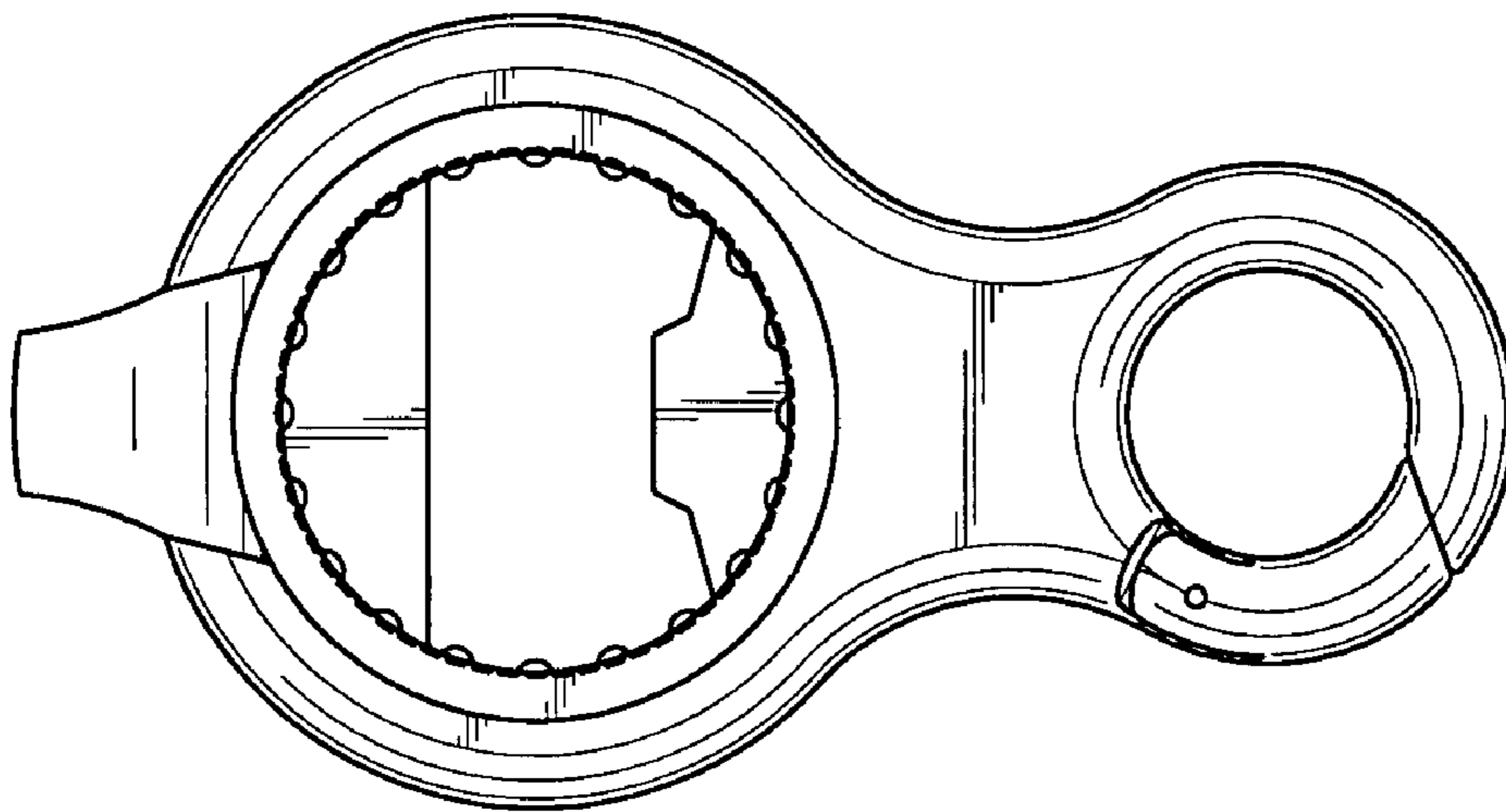


FIG. 7