

US00D568126S

(12) **United States Design Patent**
Allem

(10) **Patent No.:** **US D568,126 S**

(45) **Date of Patent:** **** May 6, 2008**

(54) **SERRATED UTILITY KNIFE BLADE**

(57) **CLAIM**

(75) **Inventor:** **David Allem**, 3440 Rowan Rd.,
Conyers, GA (US) 30094

The ornamental design for serrated utility knife blade, as shown and described.

(73) **Assignee:** **David Allem**, Conyers, GA (US)

DESCRIPTION

(**) **Term:** **14 Years**

(21) **Appl. No.:** **29/279,736**

(22) **Filed:** **May 7, 2007**

(51) **LOC (8) Cl.** **08-03**

(52) **U.S. Cl.** **D8/20**

(58) **Field of Classification Search** D8/16,
D8/19, 20, 62, 64, 90-99; D22/117, 118;
7/118, 148; 30/142, 144, 165, 166.3, 272.1,
30/314, 420, 346, 346.5, 346.55, 346.56,
30/346.6, 349, 351, 355, 357

See application file for complete search history.

FIG. 1 is a perspective view of a serrated utility knife blade showing my new design;

FIG. 2 is a front elevational view thereof, the rear elevational view being a mirror image thereof;

FIG. 3 is a left side elevational view thereof, the right side elevational view being a mirror image thereof;

FIG. 4 is a top plan view thereof;

FIG. 5 is a bottom plan view thereof;

FIG. 6 is a perspective view of a second embodiment of a serrated utility knife blade;

FIG. 7 is a front elevational view thereof, the rear elevational view being a mirror image thereof;

FIG. 8 is a left side elevational view thereof, the right side elevational view being a mirror image thereof;

FIG. 9 is a top plan view thereof;

FIG. 10 is a bottom plan view thereof;

FIG. 11 is a perspective view of a third embodiment of a serrated utility knife blade;

FIG. 12 is a front elevational view thereof, the rear elevational view being a mirror image thereof;

FIG. 13 is a left side elevational view thereof, the right side elevational view being a mirror image thereof;

FIG. 14 is a top plan view thereof; and,

FIG. 15 is a bottom plan view thereof.

(56) **References Cited**

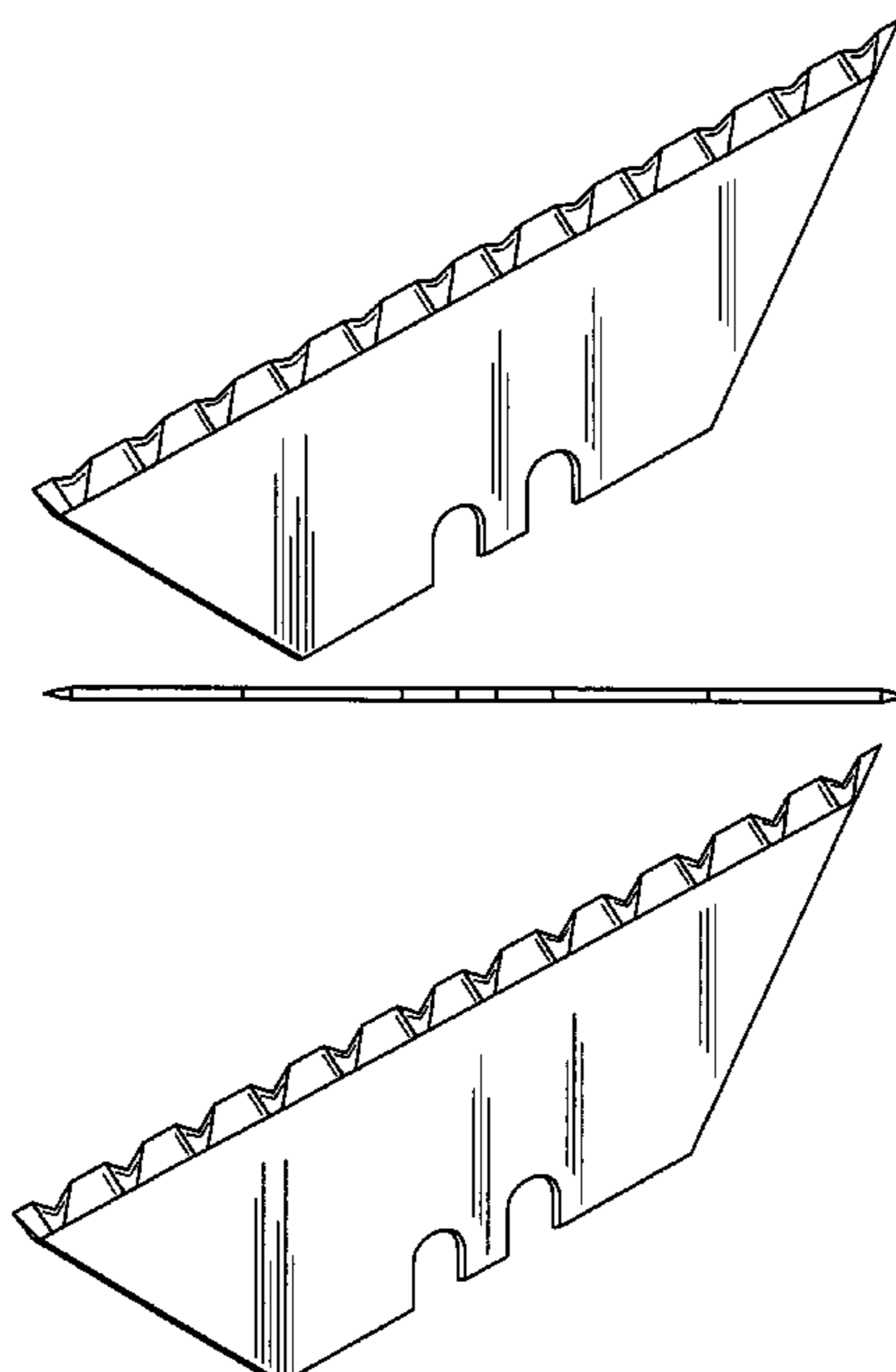
U.S. PATENT DOCUMENTS

D57,561 S *	4/1921	Wilson	D8/19
1,727,648 A *	9/1929	Jarvis	30/355
2,692,428 A *	10/1954	Morishita	30/144
5,406,707 A *	4/1995	Owens et al.	30/162
5,406,709 A *	4/1995	Stambaugh et al.	30/355
D455,057 S *	4/2002	Medhurst	D8/20
D527,234 S *	8/2006	Weremchuk et al.	D8/20
D555,443 S *	11/2007	Hunt	D8/20
2004/0187314 A1 *	9/2004	Johnson	30/355
2006/0101649 A1 *	5/2006	Chen	30/349

* cited by examiner

Primary Examiner—Caron D. Veynar
Assistant Examiner—Garth Rademaker

1 Claim, 6 Drawing Sheets



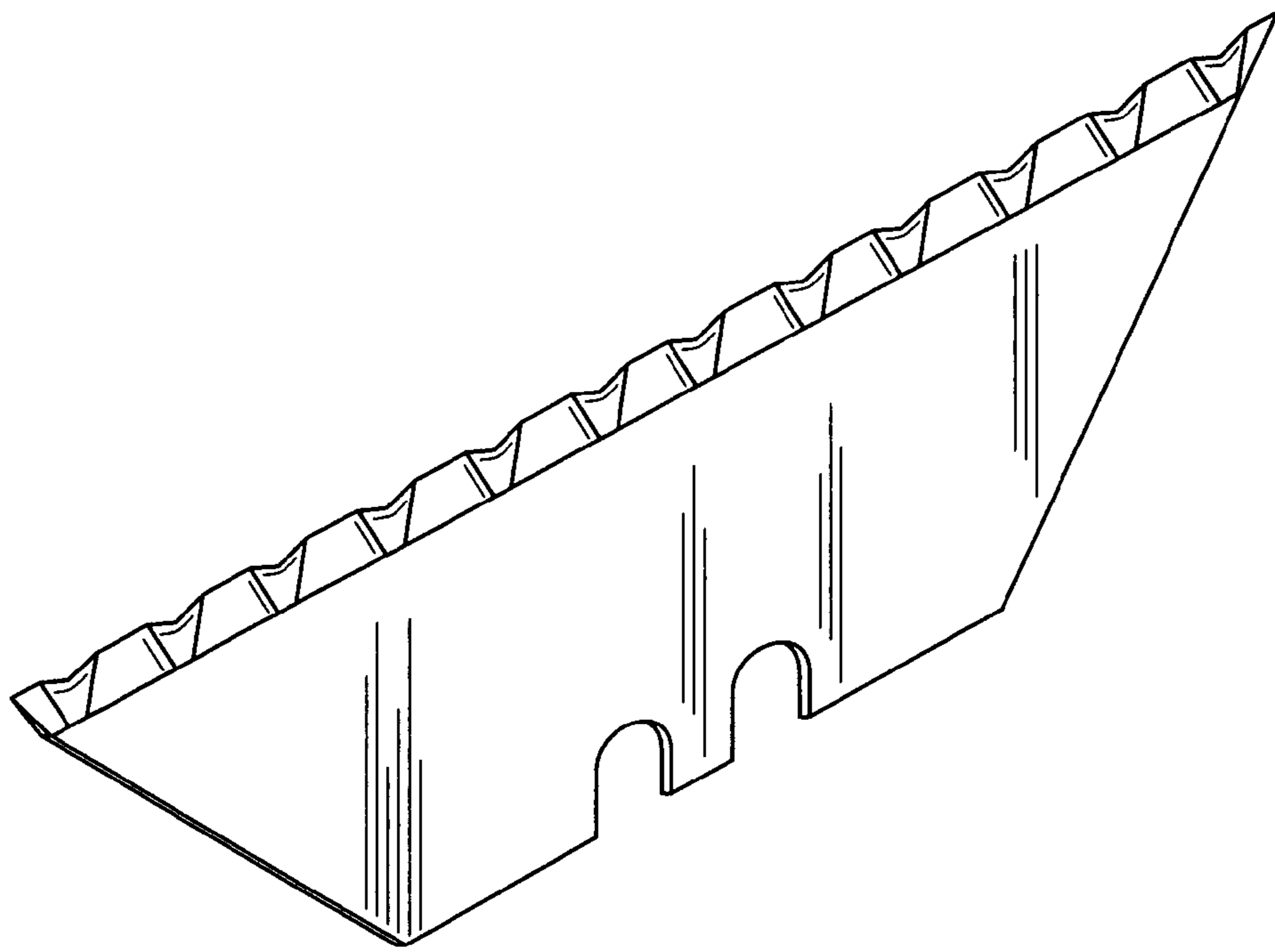


FIG. 1

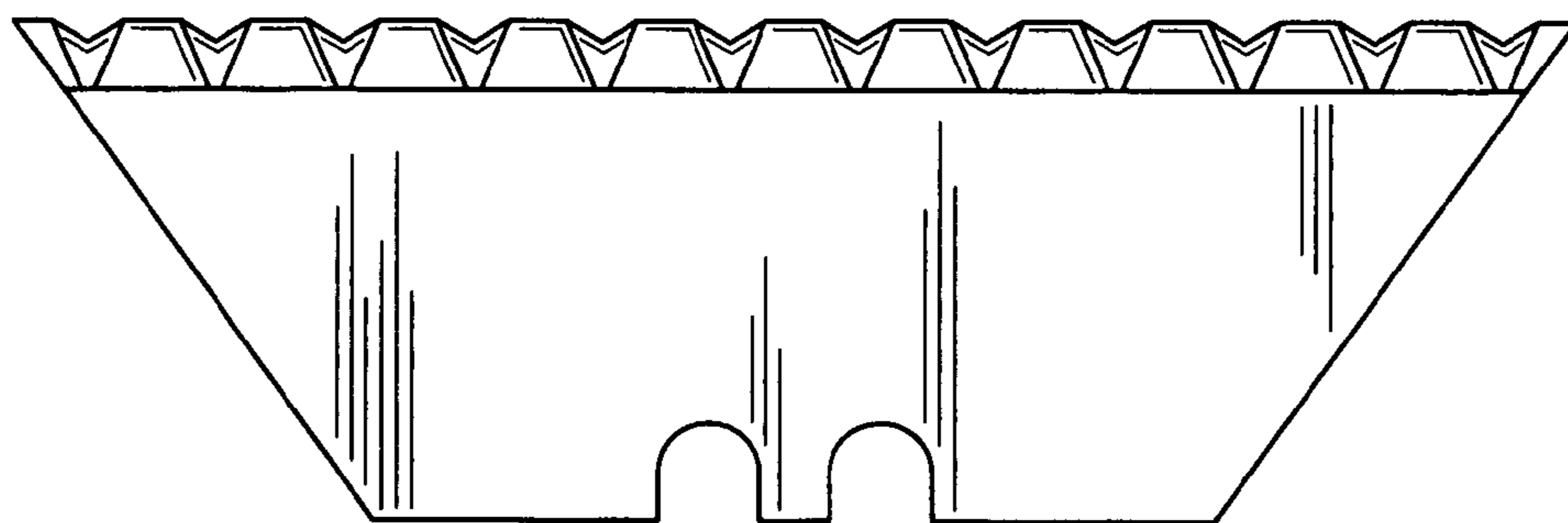


FIG. 2



FIG. 3



FIG. 4



FIG. 5

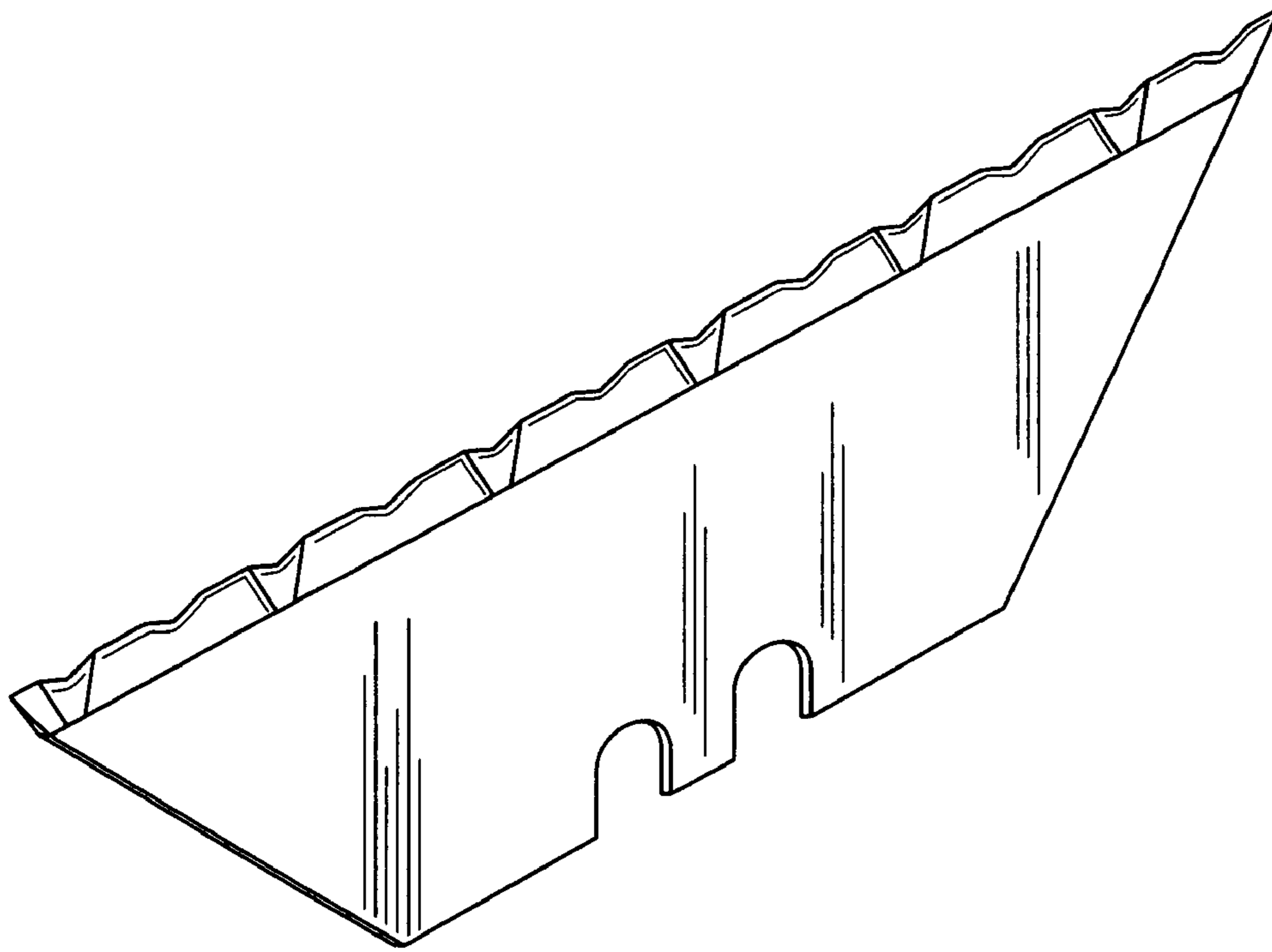


FIG. 6

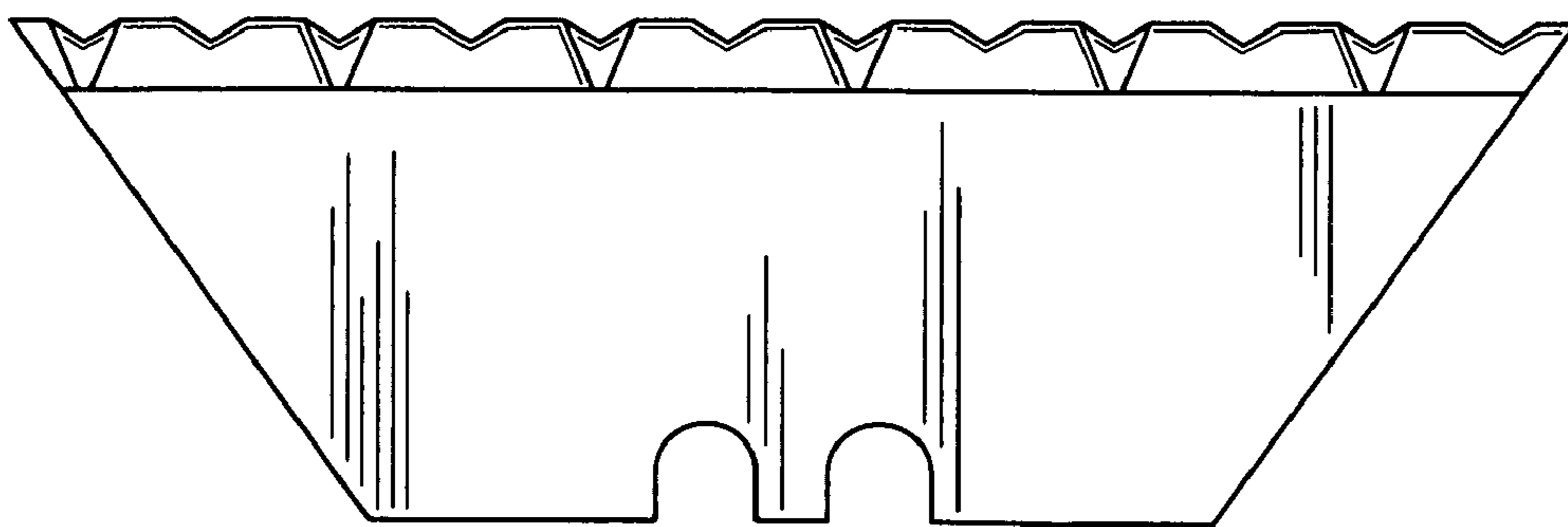


FIG. 7



FIG. 8



FIG. 9



FIG. 10

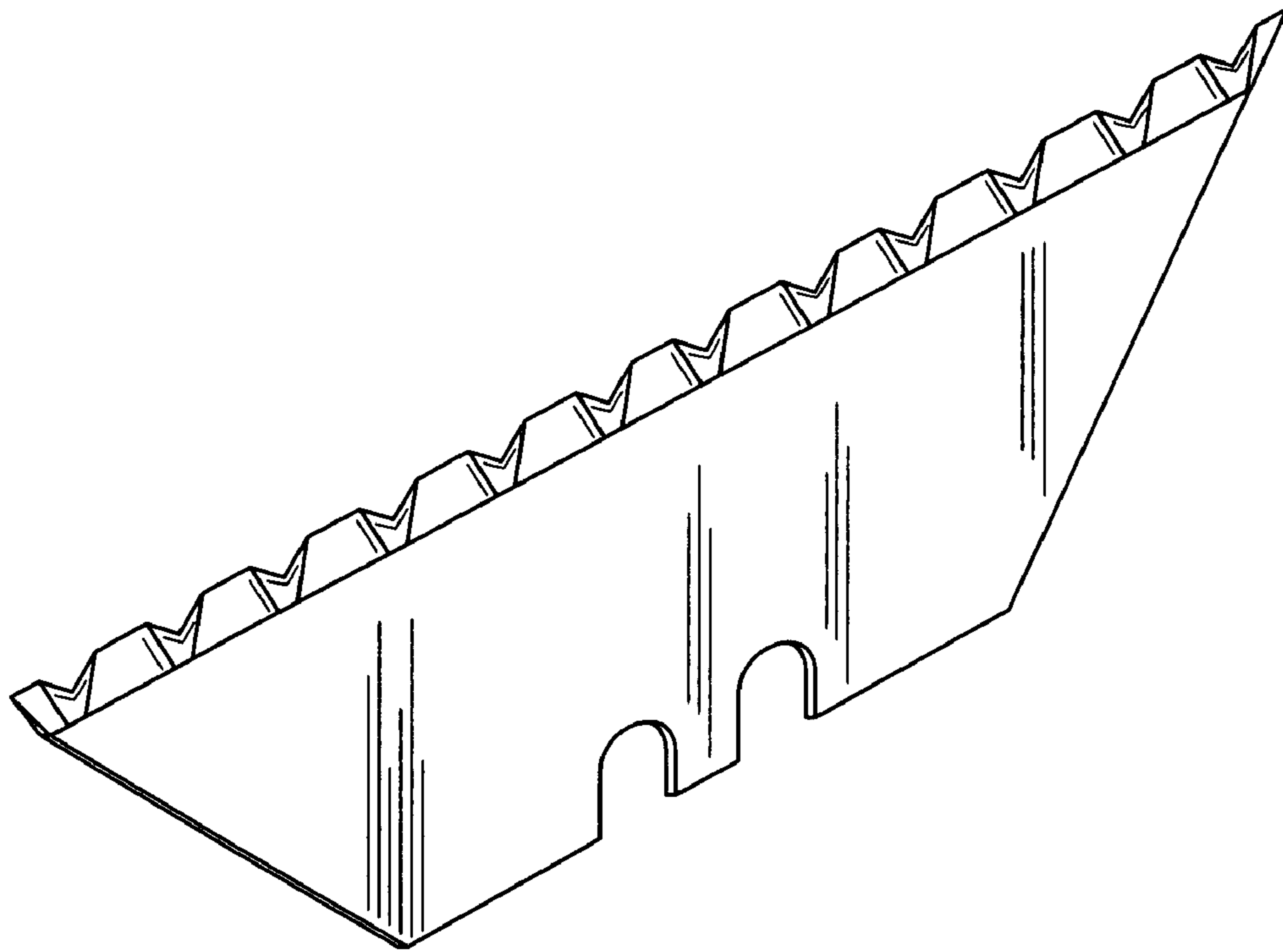


FIG. 11

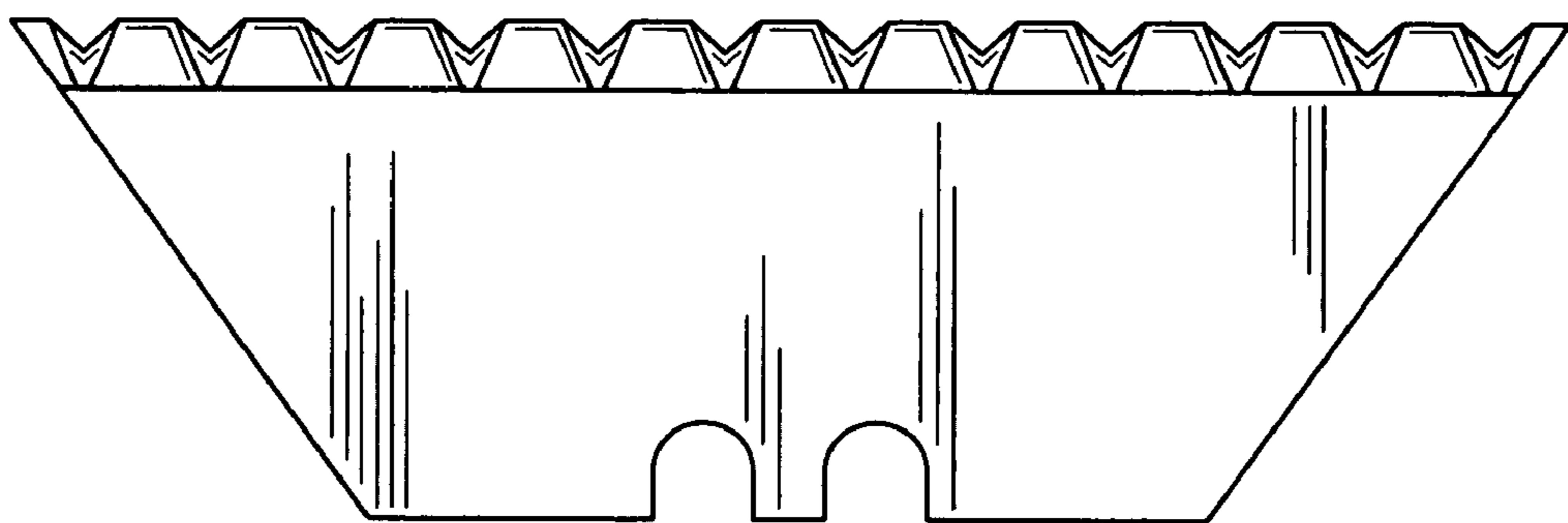


FIG. 12



FIG. 13



FIG. 14



FIG. 15