



US00D568124S

(12) **United States Design Patent**  
**Stevens, Sr.**

(10) **Patent No.:** **US D568,124 S**

(45) **Date of Patent:** **\*\* May 6, 2008**

(54) **HINGE PIN REMOVAL TOOL**

(76) Inventor: **Richard A. Stevens, Sr.**, 1928 W. 4th St., Extension, Alma, GA (US) 31510

(\*\*) Term: **14 Years**

(21) Appl. No.: **29/278,210**

(22) Filed: **Mar. 22, 2007**

(51) **LOC (8) Cl.** ..... **08-05**

(52) **U.S. Cl.** ..... **D8/14; D8/89**

(58) **Field of Classification Search** ..... D8/14, D8/88, 89; 254/131, 120, 25; 29/275, 278  
See application file for complete search history.

(56) **References Cited**

U.S. PATENT DOCUMENTS

3,689,977	A *	9/1972	Crabbe	.....	29/253
4,188,701	A *	2/1980	Ludwig	.....	29/275
D271,372	S *	11/1983	Fortune	.....	D8/88
4,627,141	A *	12/1986	Teske	.....	29/275
5,054,180	A *	10/1991	Combs	.....	29/275
5,099,562	A	3/1992	Laughran		
D350,270	S *	9/1994	Jensen	.....	D8/89
5,435,030	A	7/1995	Phillips		
5,438,743	A *	8/1995	Simington et al.	.....	29/275
5,695,172	A	12/1997	Hreha		
5,875,535	A	3/1999	Canoy		
5,896,607	A *	4/1999	Hagen	.....	7/166

D410,178	S *	5/1999	Clayson	.....	D8/16
6,308,390	B1	10/2001	Sullivan		
6,351,881	B1	3/2002	Peckich		
6,901,644	B1	6/2005	Rich		
D532,661	S *	11/2006	Wood	.....	D8/14

\* cited by examiner

*Primary Examiner*—Philip S. Hyder

(74) *Attorney, Agent, or Firm*—Brian D. Bellamy

(57) **CLAIM**

The ornamental design for a hinge pin removal tool, as shown.

**DESCRIPTION**

FIG. 1 is a perspective view of a hinge pin removal tool showing my new design;

FIG. 2 is a perspective view of the hinge pin removal tool showing my new design;

FIG. 3 is an end view of the left end of FIG. 1;

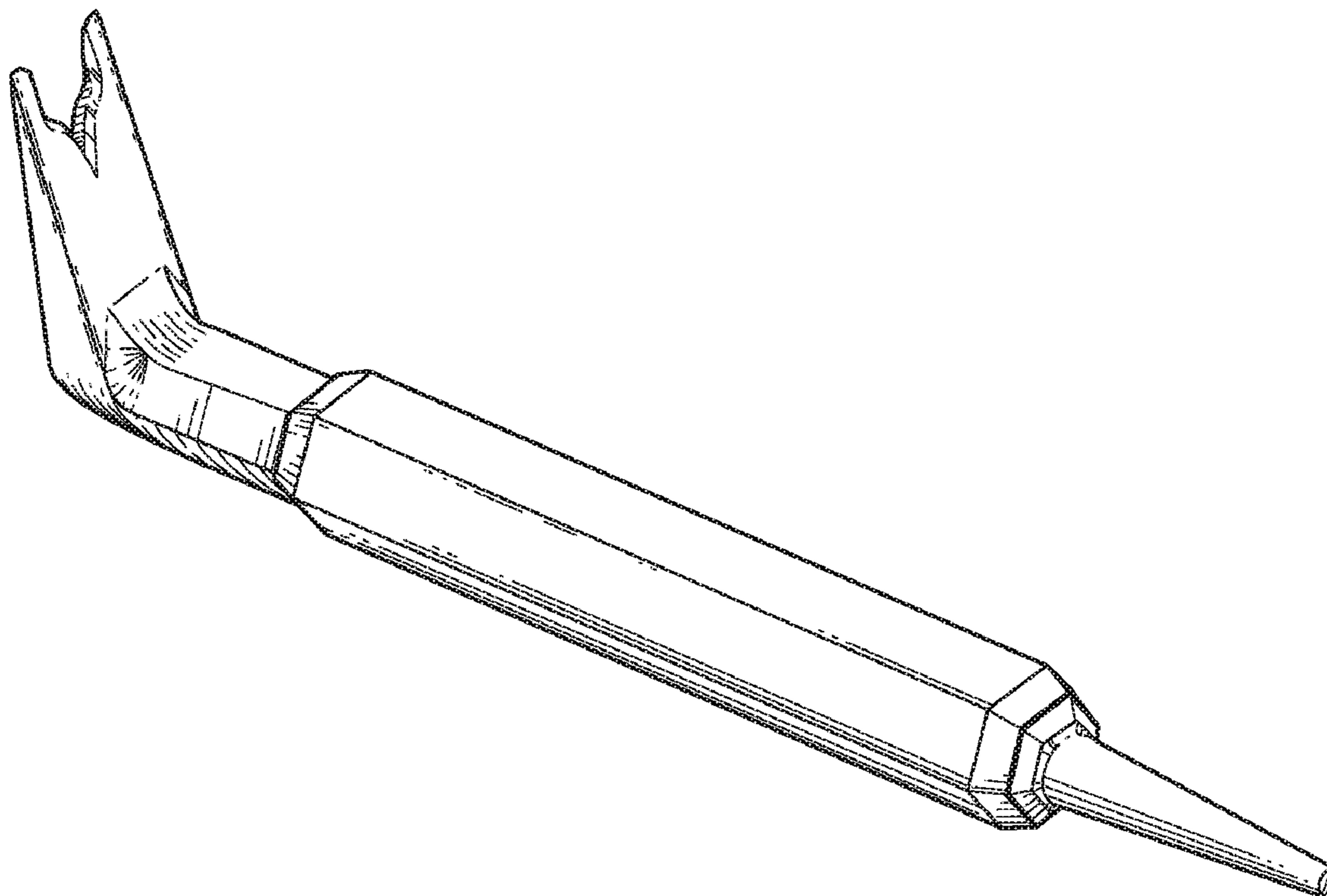
FIG. 4 is an end view of the right end of FIG. 1;

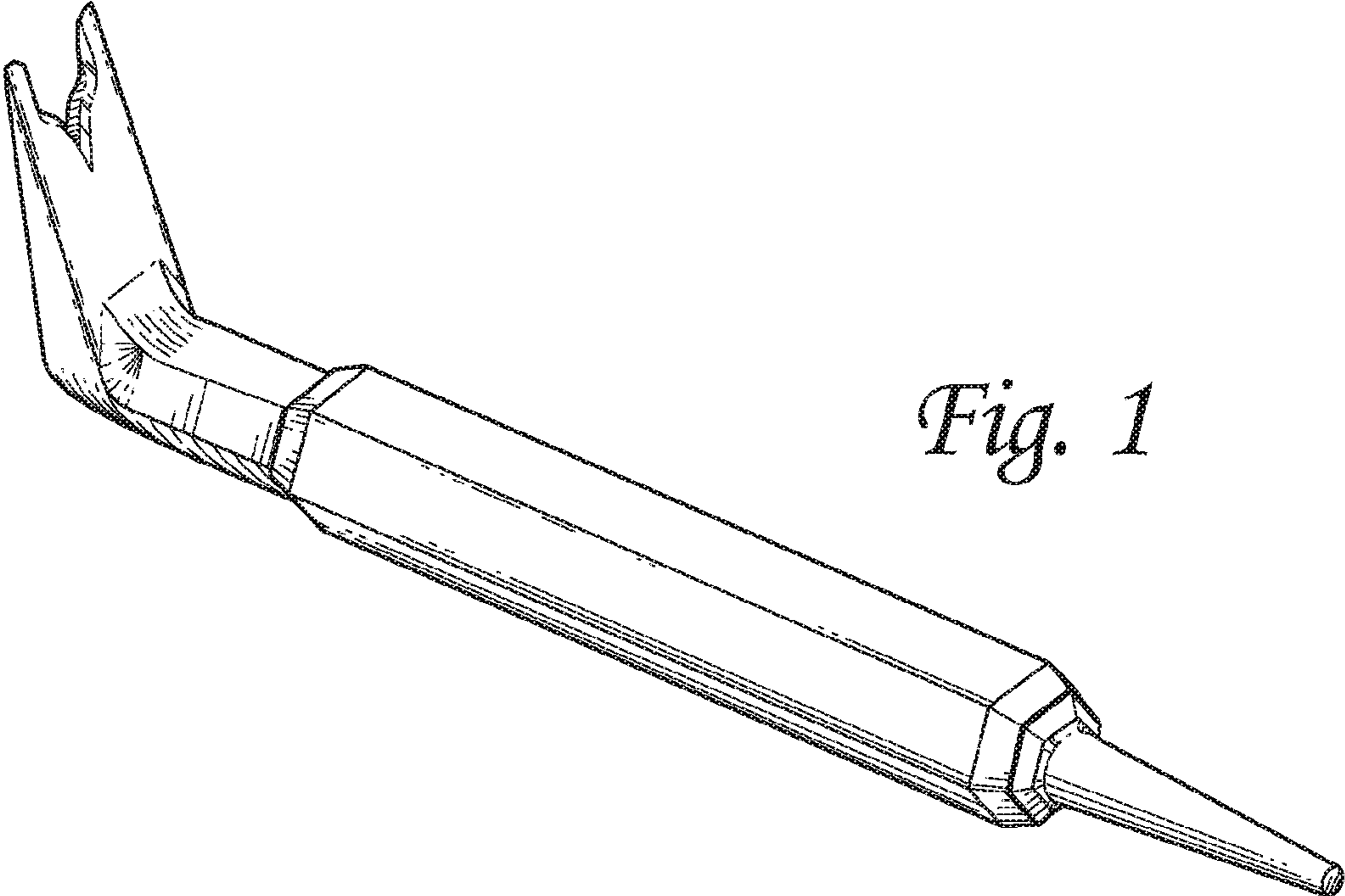
FIG. 5 side elevational view of FIG. 1 which is a mirror image of a side elevational view taken from the opposite side of FIG. 1; and

FIG. 6 is a top plan view of FIG. 1; and,

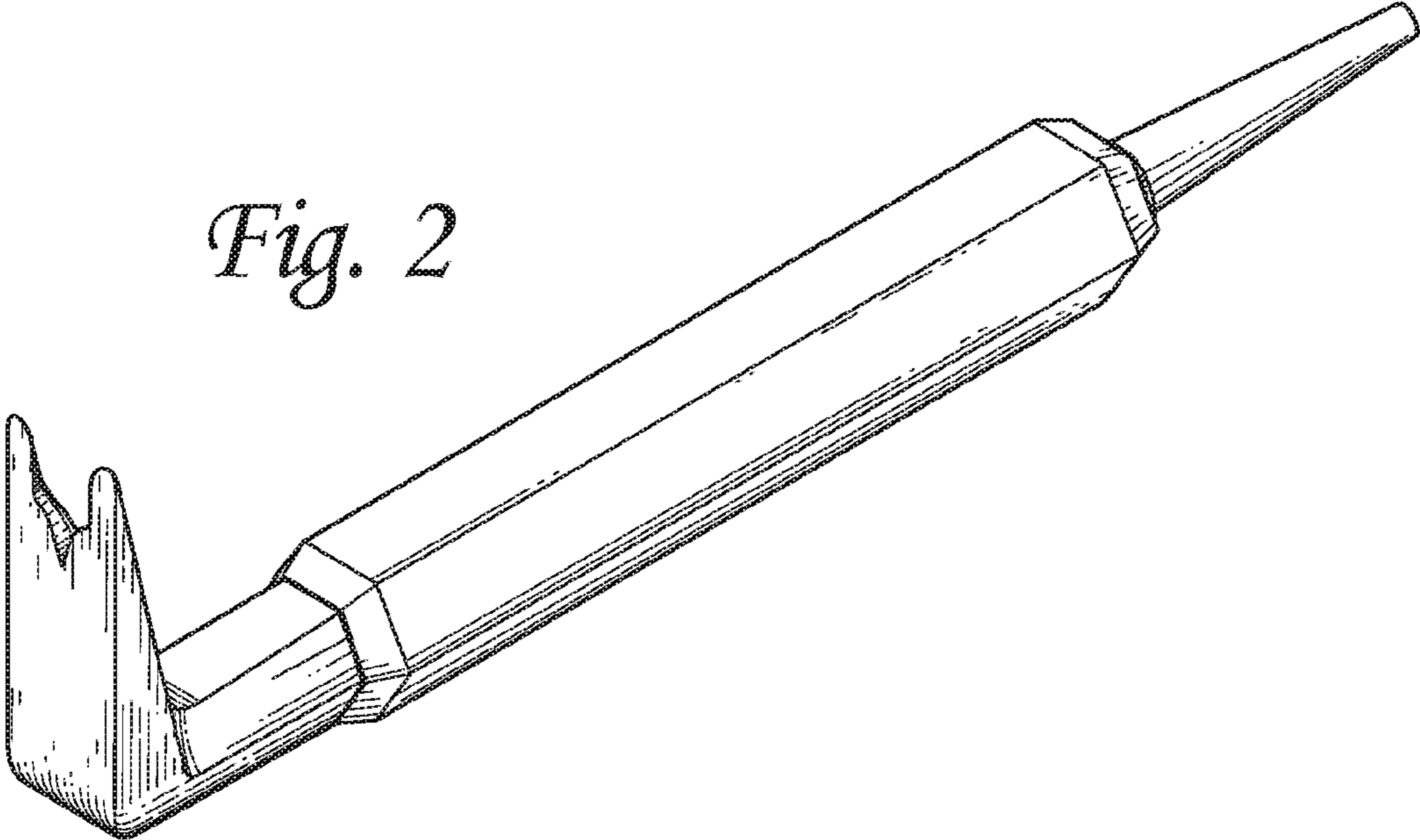
FIG. 7 is a bottom plan view of FIG. 1.

**1 Claim, 3 Drawing Sheets**

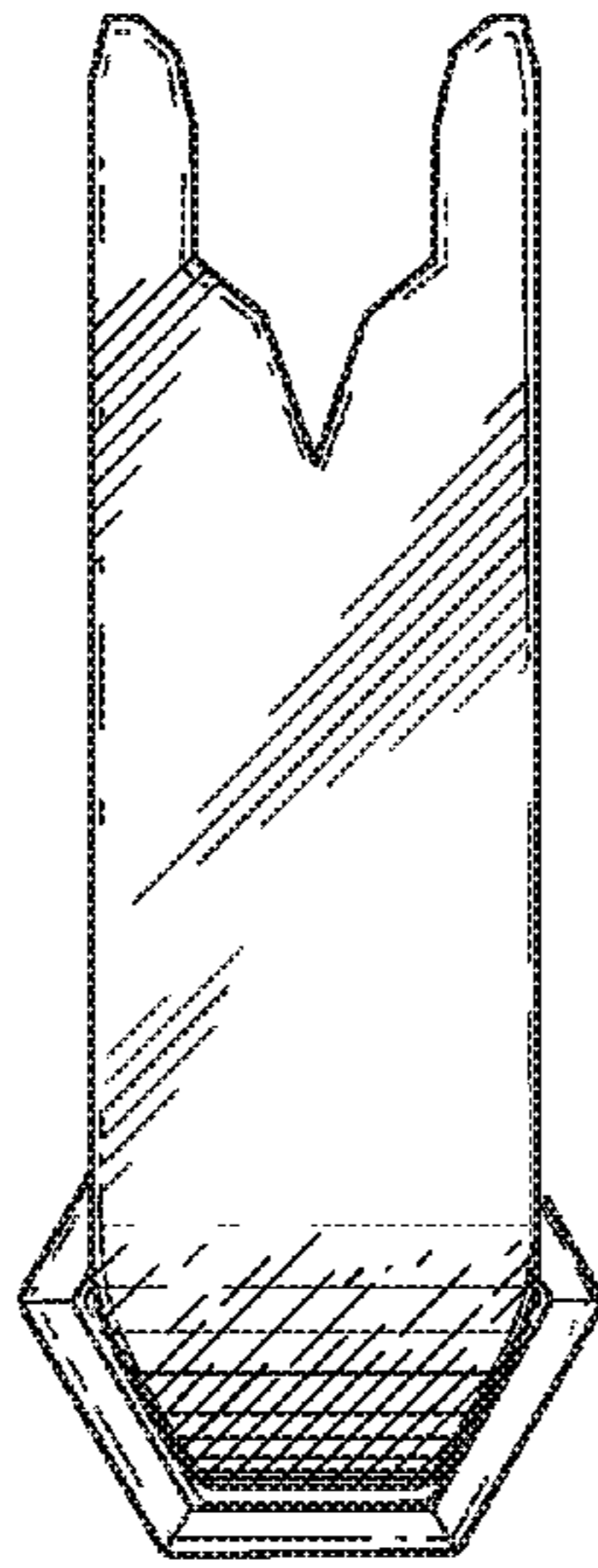




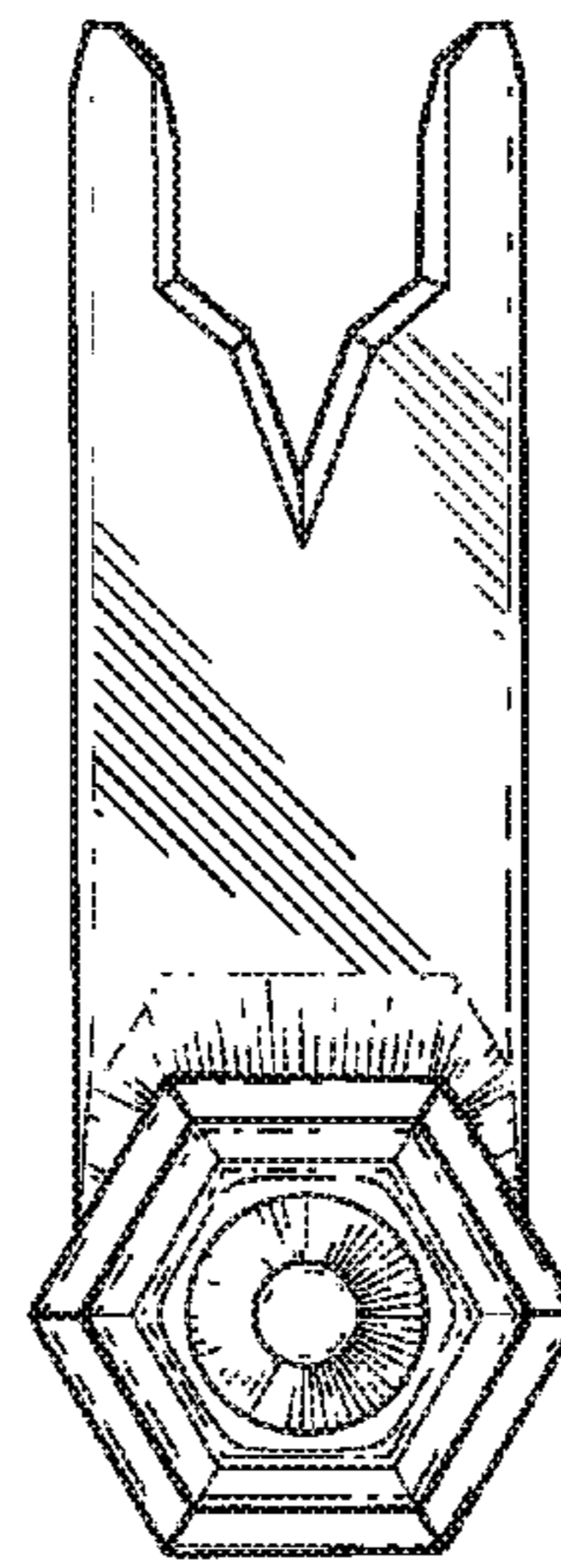
*Fig. 1*



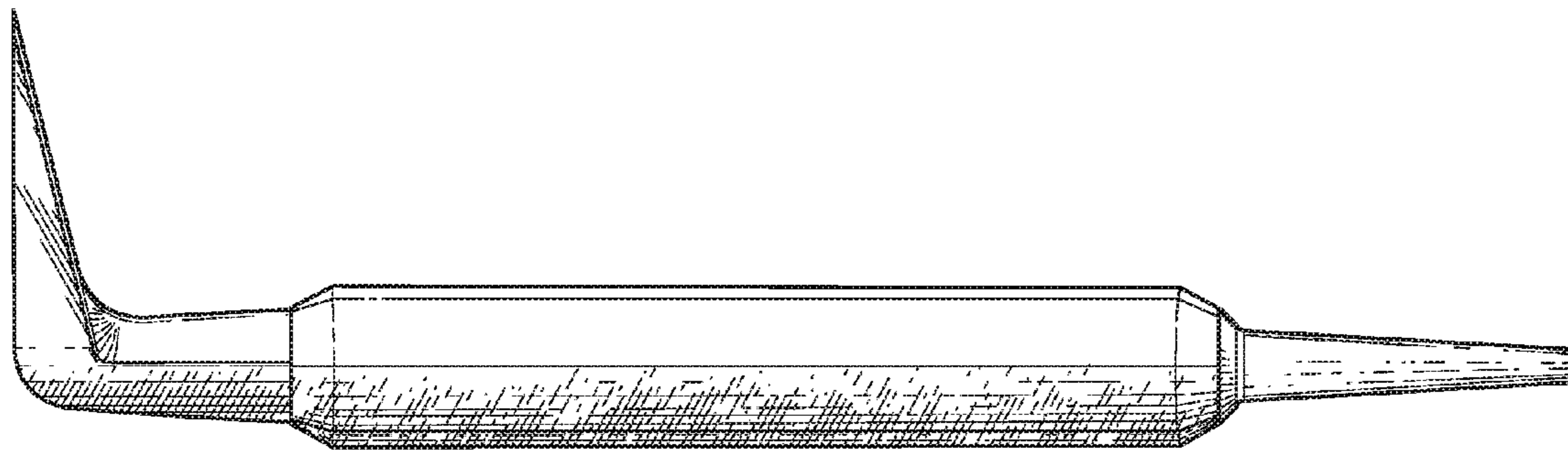
*Fig. 2*



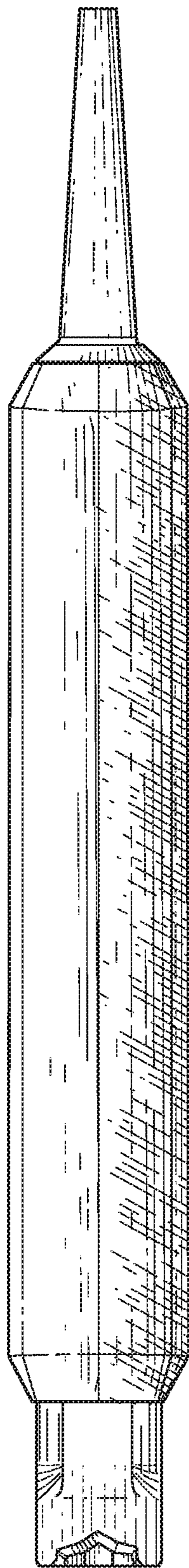
*Fig. 3*



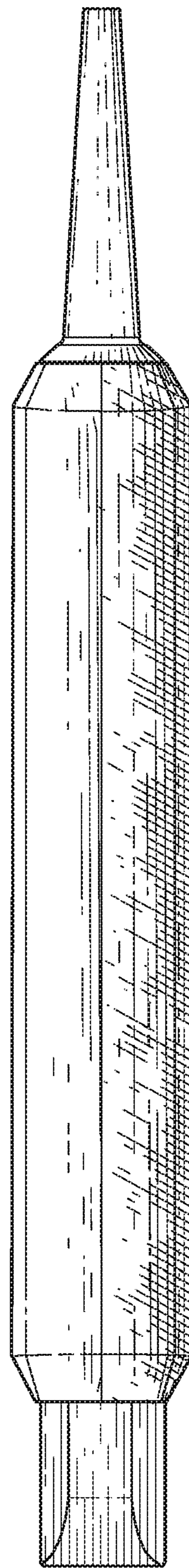
*Fig. 4*



*Fig. 5*



*Fig. 6*



*Fig. 7*