



US00D568122S

(12) **United States Design Patent** (10) **Patent No.:** **US D568,122 S**
Noonan et al. (45) **Date of Patent:** **** May 6, 2008**

(54) **WHEELED SHOVEL**
(75) Inventors: **Mark Noonan**, New Canaan, CT (US);
Stephen C. Fog, New Canaan, CT (US)
(73) Assignee: **Snow Solutions LLC**, New Canaan, CT
(US)

4,179,828 A 12/1979 Brunty
4,214,385 A 7/1980 Baranowski et al.
4,224,751 A 9/1980 Schoemann et al.

(Continued)

FOREIGN PATENT DOCUMENTS

(**) Term: **14 Years**

CA 2501109 9/2005

(21) Appl. No.: **29/279,588**

(Continued)

(22) Filed: **May 3, 2007**

OTHER PUBLICATIONS

(51) **LOC (8) Cl.** **08-01**
(52) **U.S. Cl.** **D8/10**
(58) **Field of Classification Search** D8/10;
294/49, 54.5
See application file for complete search history.

Pending U.S. Appl. No. 29/234,046, filed Jul. 13, 2005, Noonan et al.

(Continued)

Primary Examiner—Holly H. Baynham
Assistant Examiner—Sheryl Friedman
(74) *Attorney, Agent, or Firm*—Harness, Dickey & Pierce, P.L.C.

(56) **References Cited**

U.S. PATENT DOCUMENTS

328,633 A 10/1885 Angell
1,514,076 A 11/1924 Brown
1,683,732 A 9/1928 Selin
2,470,217 A 5/1949 McLoughlin
2,520,606 A 8/1950 McLoughlin
2,715,786 A 8/1955 Dorko
2,720,043 A * 10/1955 Chamberlin 37/285
2,852,872 A * 9/1958 Benz 37/434
2,852,873 A * 9/1958 Benz 37/434
2,863,232 A 12/1958 Steinbach et al.
2,867,827 A 1/1959 Gantz
2,930,152 A 3/1960 Pipkin
D190,820 S * 7/1961 O'connor D15/11
3,107,446 A 10/1963 Messinger
3,136,574 A 6/1964 Pasquale
3,468,041 A 9/1969 Mattson et al.
3,469,326 A 9/1969 Malickson
3,475,838 A 11/1969 Hagen et al.
3,594,932 A * 7/1971 Eriksson 37/241
3,643,356 A 2/1972 Gohl
3,748,761 A 7/1973 Chetwynde
3,751,058 A 8/1973 Larsen
4,153,287 A 5/1979 Townsend
4,161,073 A 7/1979 Oakes

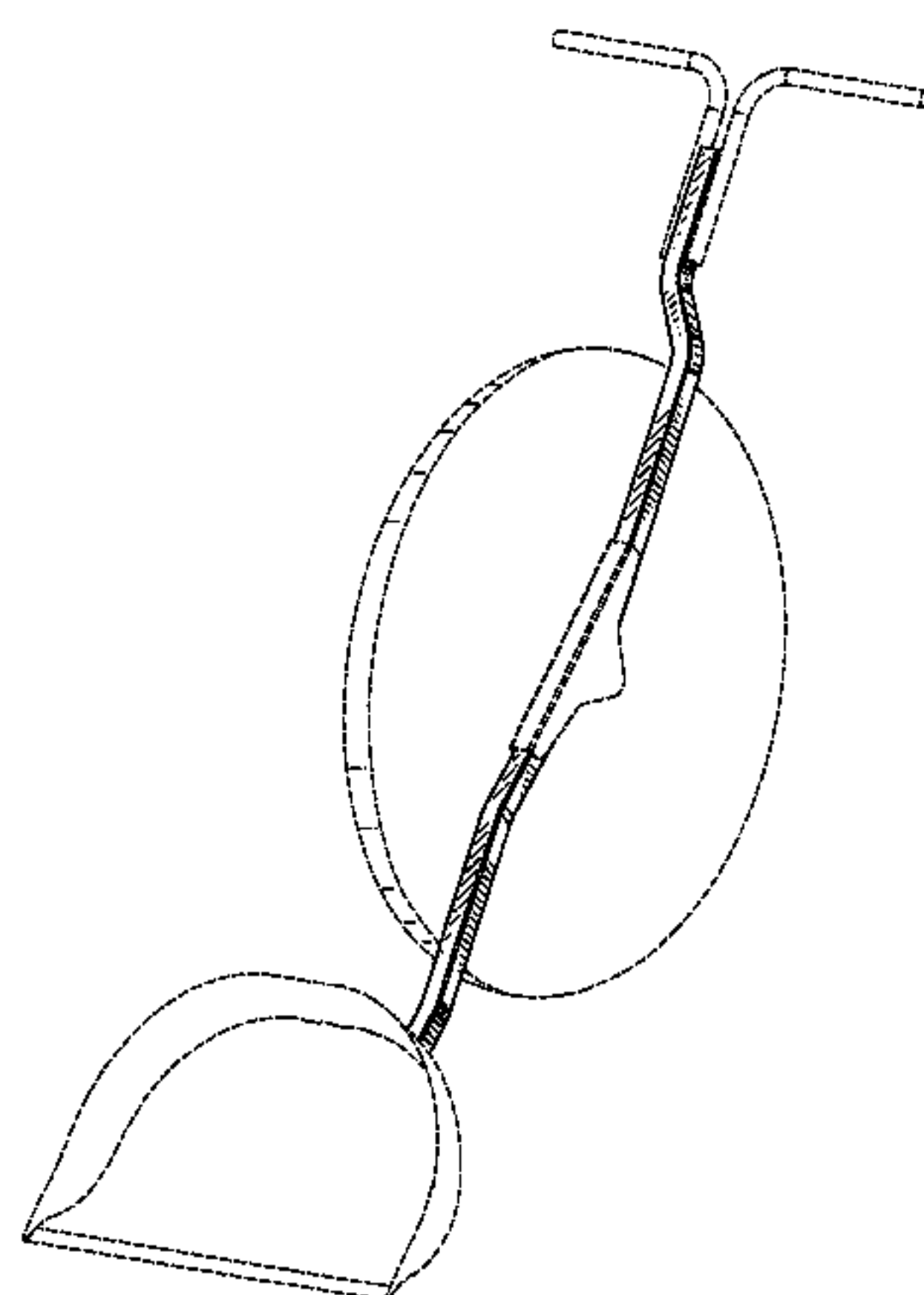
(57) **CLAIM**

The ornamental design for a wheeled shovel, as shown and described.

DESCRIPTION

FIG. 1 is an upper perspective view of the wheeled shovel, showing my new design;
FIG. 2 is another upper perspective view thereof;
FIG. 3 is a lower perspective view thereof;
FIG. 4 is another lower perspective view thereof;
FIG. 5 is a front view thereof;
FIG. 6 is a rear view thereof; and,
FIG. 7 is a left elevation view thereof.
The details shown in broken lines (including the shovel blade, wheel, and handle) are for illustrative purposes only and form no part of the claimed design.

1 Claim, 7 Drawing Sheets



US D568,122 S

Page 2

U.S. PATENT DOCUMENTS

4,231,604 A 11/1980 Obergfell
D262,259 S * 12/1981 Terpening D8/10
4,690,447 A 9/1987 Adams
4,704,758 A 11/1987 Hoffman
4,865,373 A 9/1989 Hudson
4,910,893 A * 3/1990 Asay 37/281
D314,318 S 2/1991 Uimonen
5,048,206 A 9/1991 Jones
5,054,278 A 10/1991 Thorndike
5,074,064 A 12/1991 Nickels
5,117,530 A 6/1992 Rank
5,123,187 A 6/1992 Zamaria
5,511,327 A 4/1996 Jurkowski et al.
D375,235 S 11/1996 Spear et al.
D376,965 S * 12/1996 Spear et al. D8/10
5,581,915 A 12/1996 Lobato
5,727,799 A 3/1998 DiSario
5,810,408 A 9/1998 Armstrong
5,918,921 A 7/1999 Samuelson
D415,663 S 10/1999 Whitehead et al.
6,053,548 A 4/2000 Bowles, Jr.
6,334,640 B1 1/2002 Werner et al.
D459,641 S 7/2002 Guneyasu
6,457,757 B2 * 10/2002 Hendrick 294/54.5
6,474,007 B1 11/2002 Sueshige et al.
6,643,958 B1 11/2003 Krejci
6,675,507 B2 1/2004 Petruzzelli
6,735,887 B1 5/2004 Muzzammel

6,922,920 B1 8/2005 Stratz
D523,710 S 6/2006 Noonan
D525,093 S 7/2006 Noonan et al.
7,111,418 B2 9/2006 Noonan
D543,807 S * 6/2007 Noonan et al. D8/10
D546,144 S * 7/2007 Noonan et al. D8/10
2005/0160633 A1 7/2005 Noonan
2006/0265913 A1 11/2006 Noonan et al.

FOREIGN PATENT DOCUMENTS

CN 1699696 11/2005
EP 1 580 322 3/2005
FR 865426 5/1941
JP 2005-273450 10/2005
WO WO 2005/098142 10/2005
WO WO 2007/025183 3/2007

OTHER PUBLICATIONS

Pending U.S. Appl. No. 29/240,981, filed Oct. 20, 2005, Noonan et al.
Pending U.S. Appl. No. 29/240,982, filed Oct. 20, 2005, Noonan et al.
Field Corn Planter, http://etc.usf.edu/clipart/4200/4213/planter_5.htm, Mar. 11, 2005, 2 pages.
Two Photographs of Wovel® Wheeled Shovel, Jan. 2005.
European Search Report for EP 05 25 1730; 3 pages, Jan. 30, 2006.

* cited by examiner

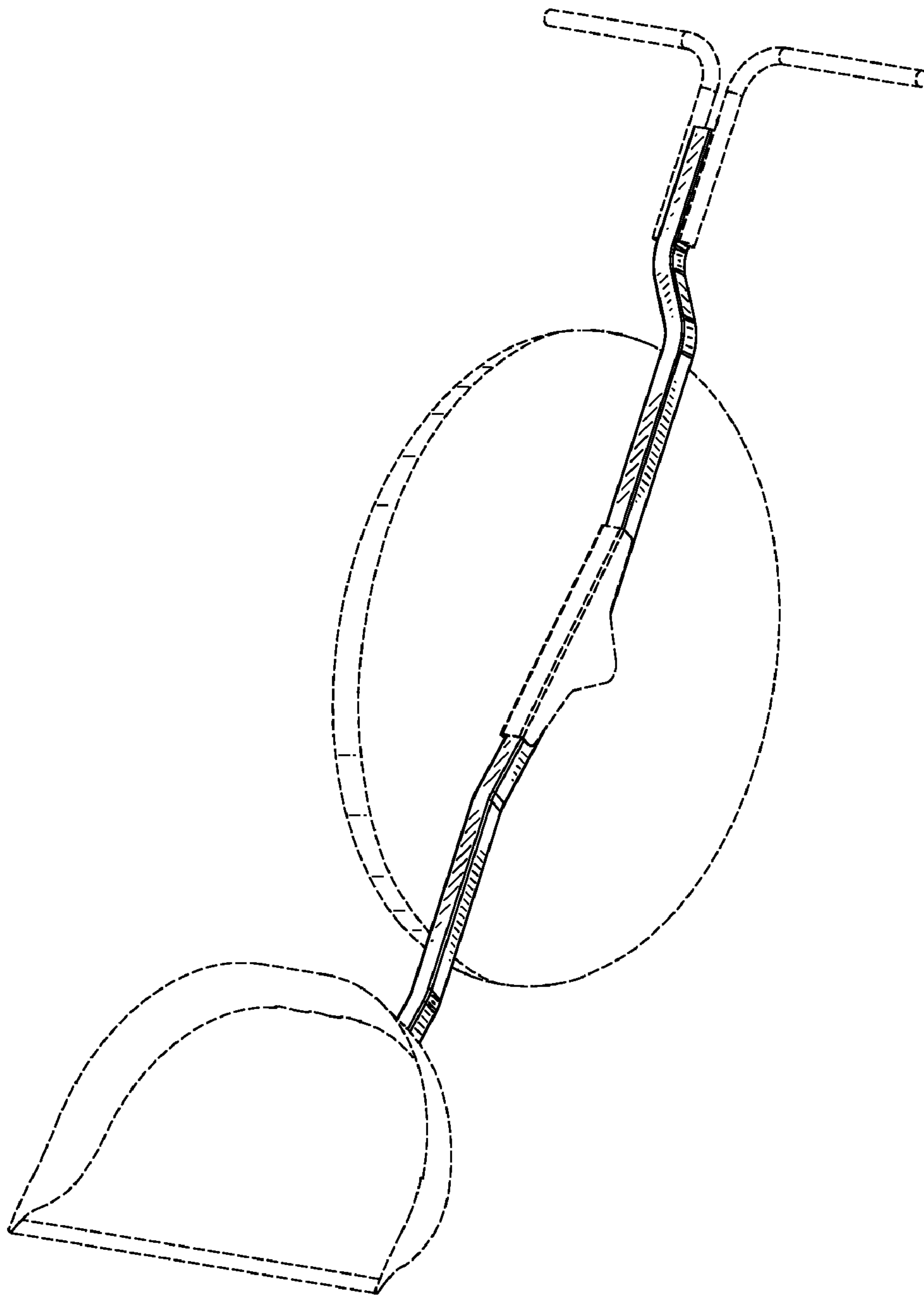


Fig. 1

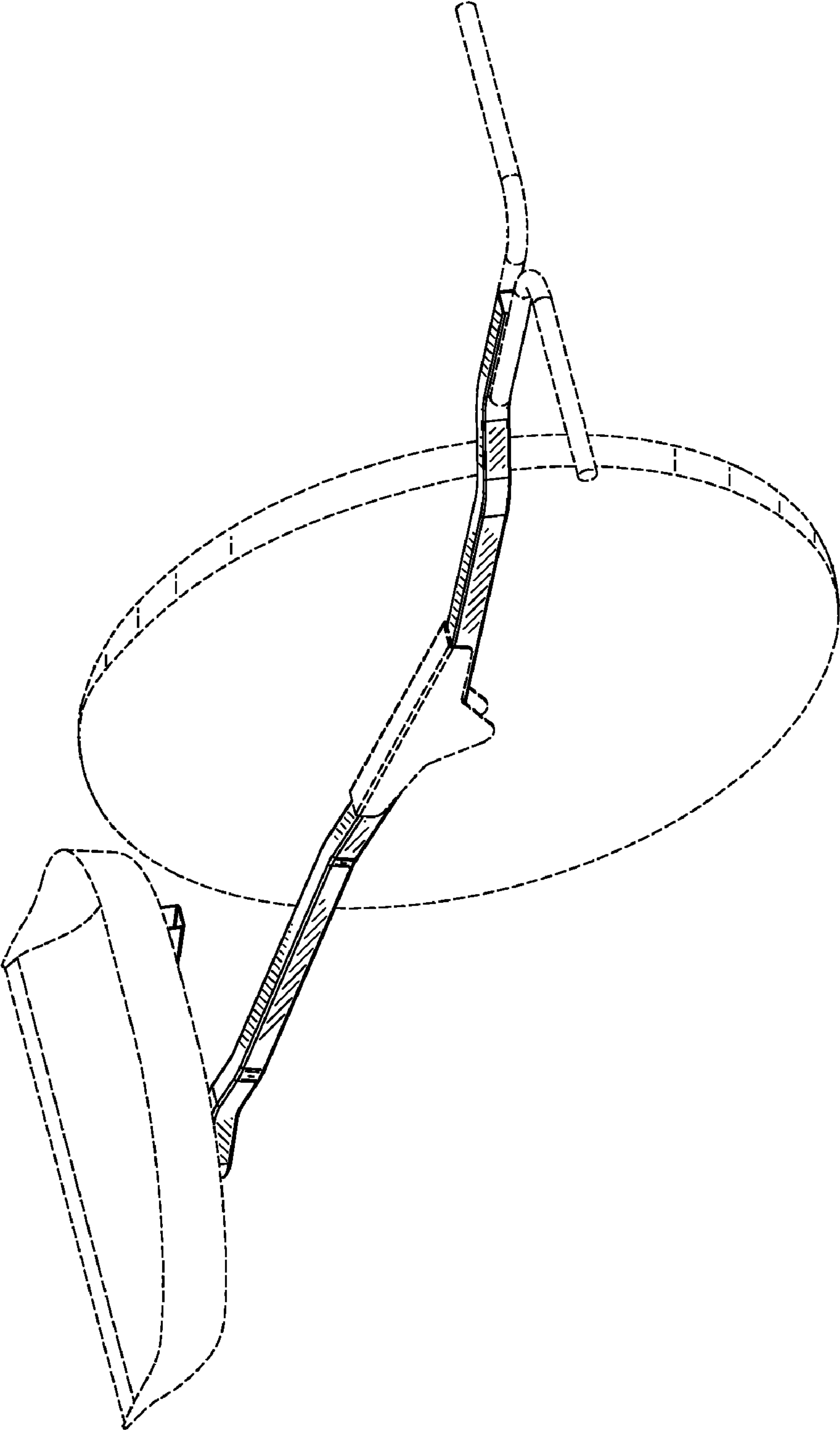


Fig. 2

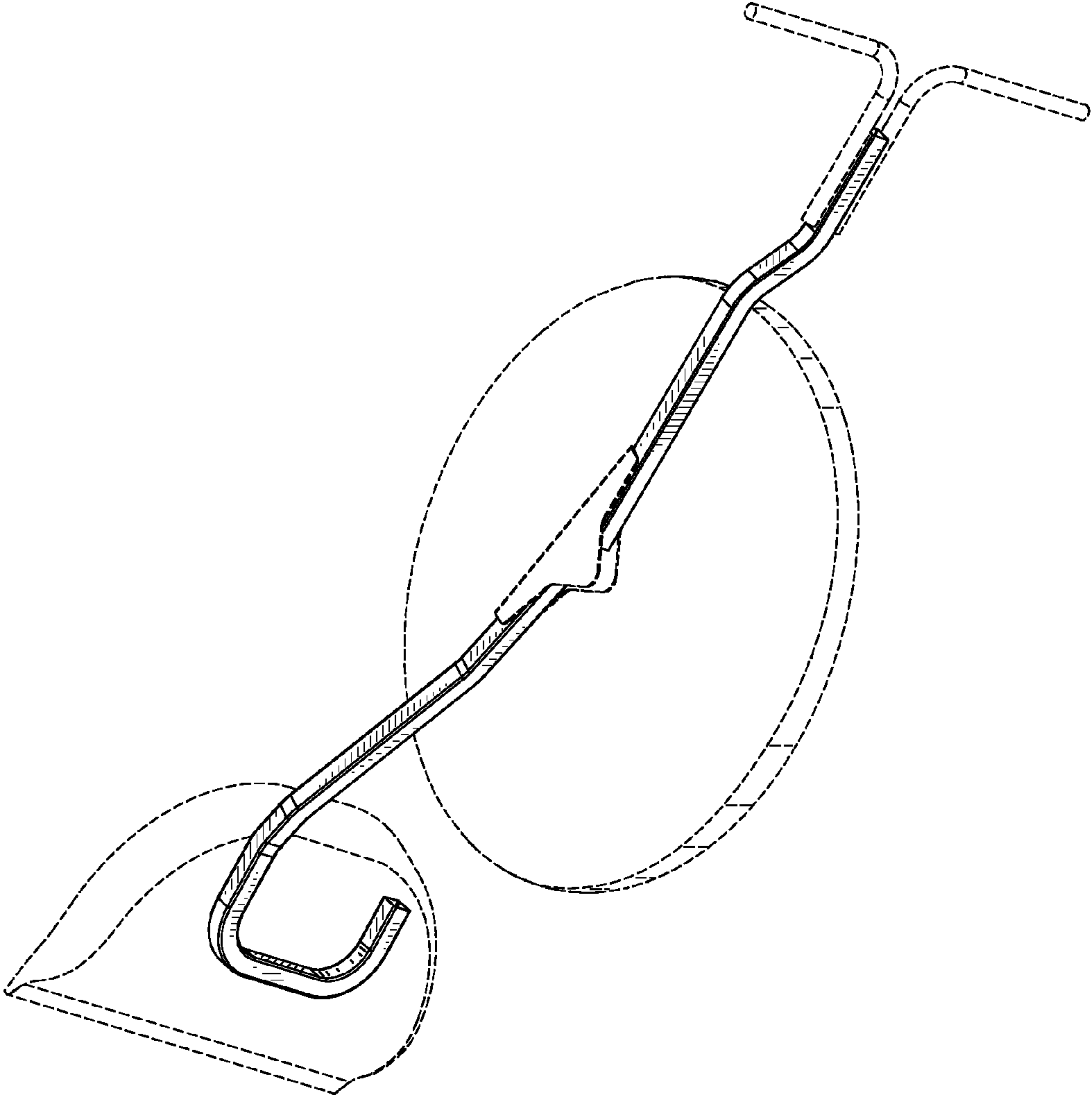


Fig. 3

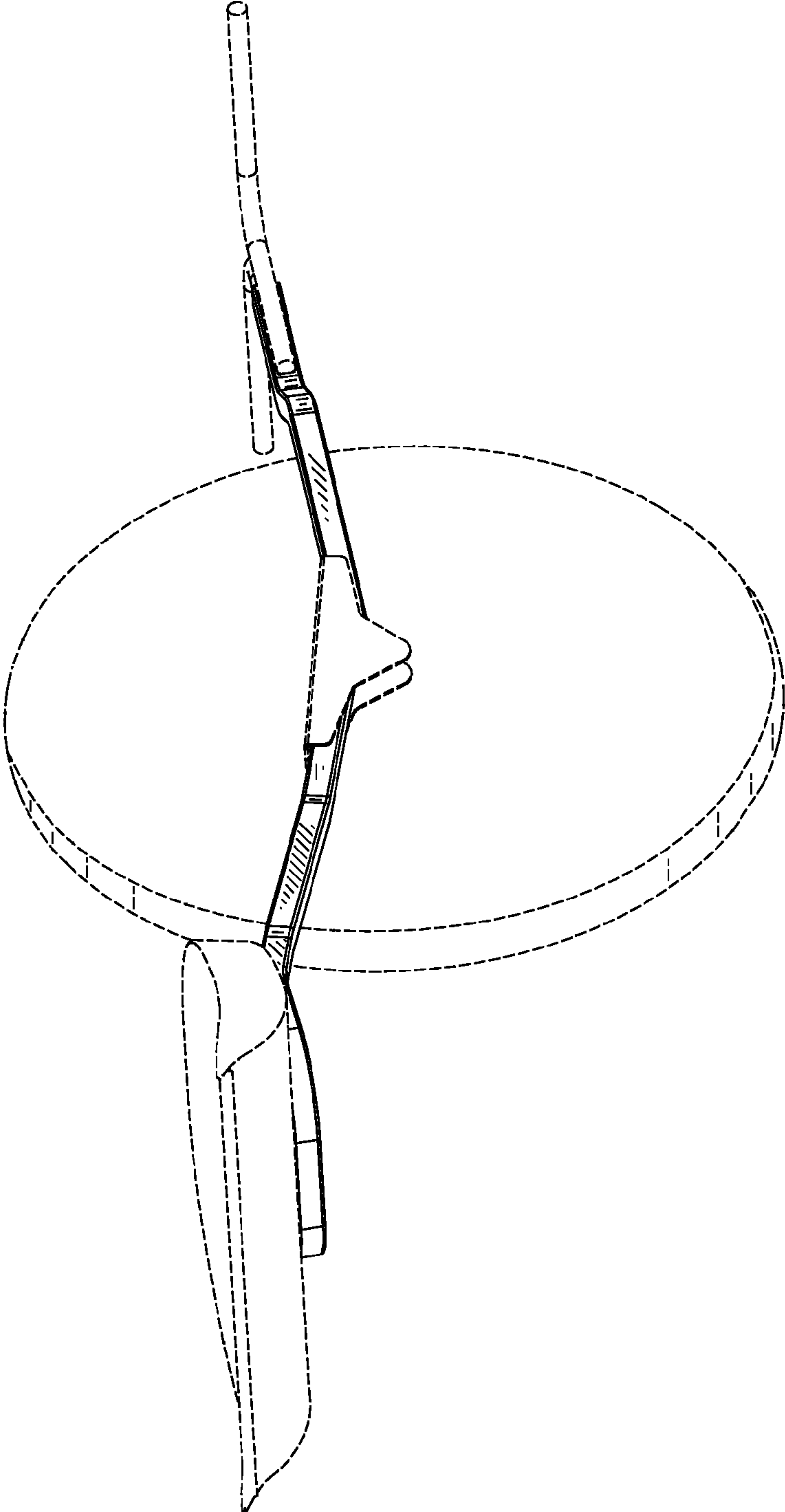


Fig. 4

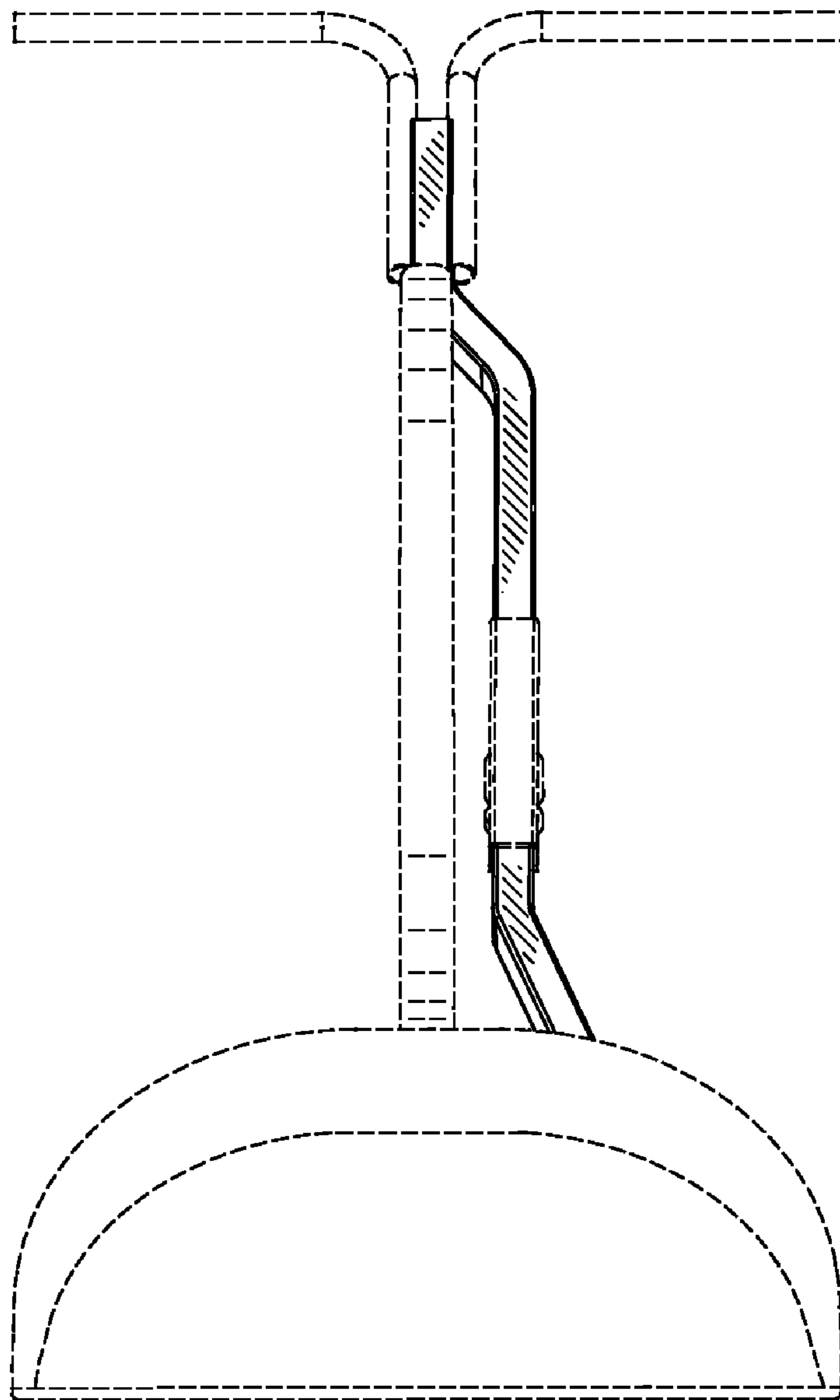


Fig. 5

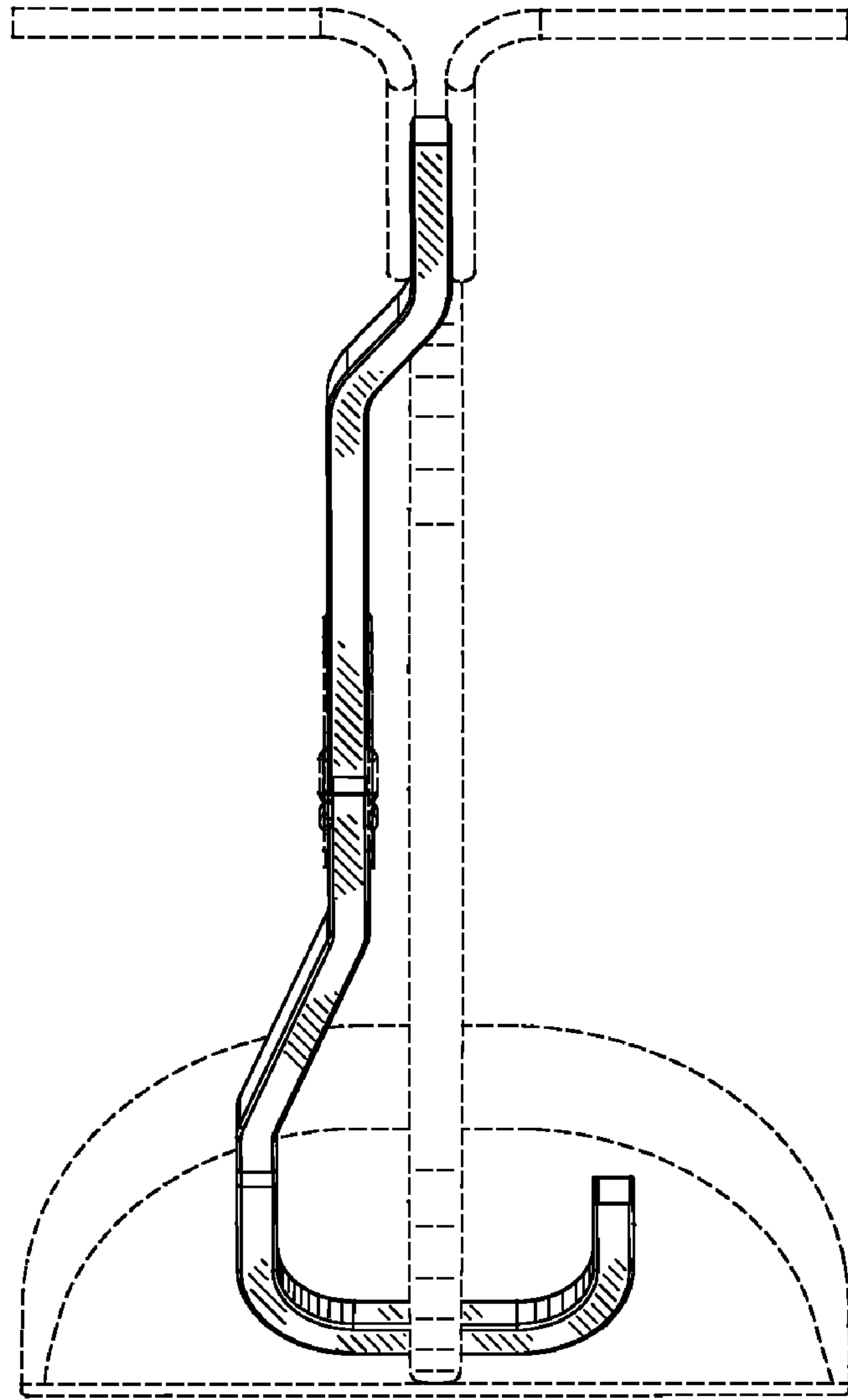


Fig. 6

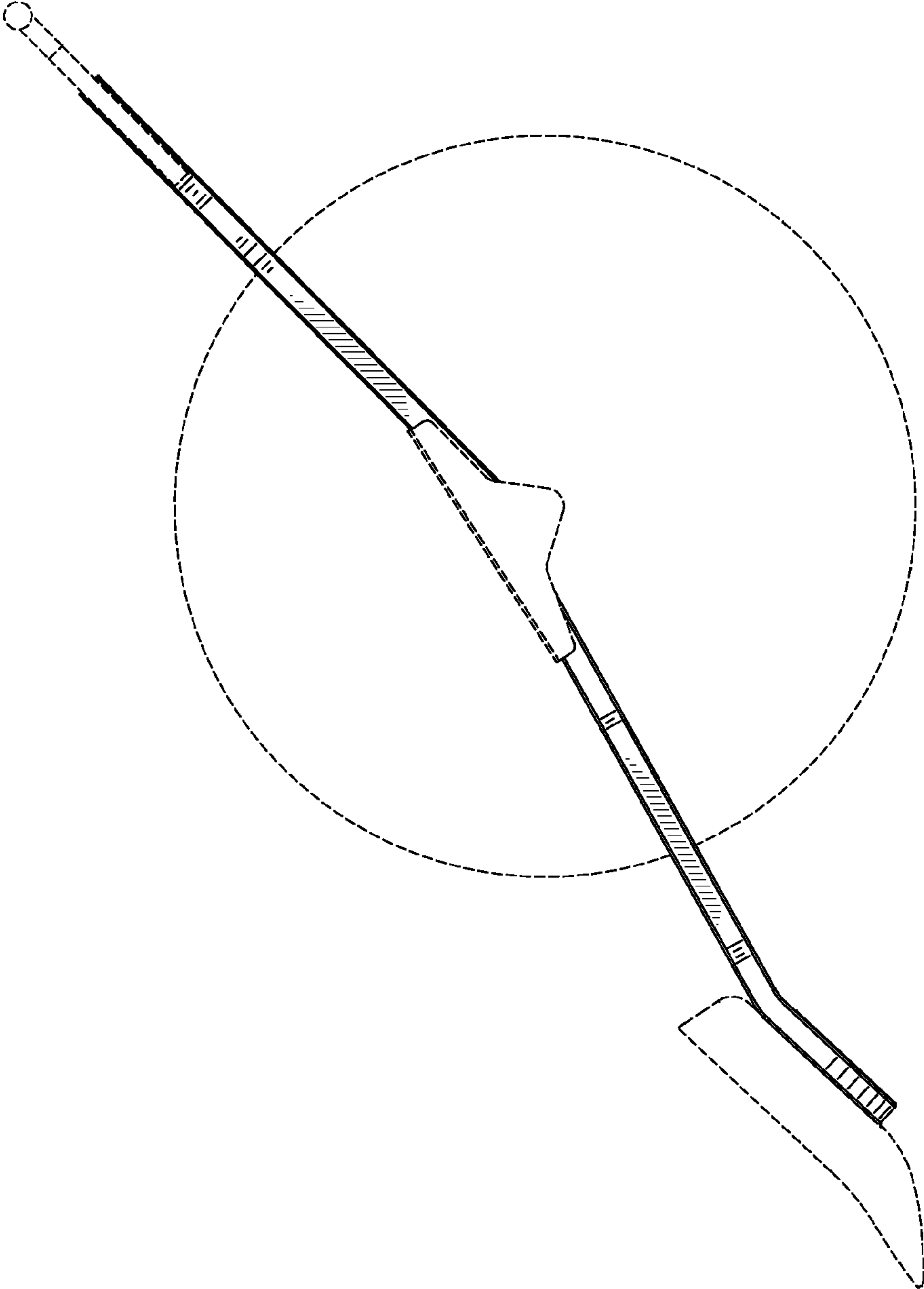


Fig. 7