



US00D568120S

(12) **United States Design Patent**  
**Peterson**

(10) **Patent No.:** **US D568,120 S**

(45) **Date of Patent:** **\*\* May 6, 2008**

(54) **PINEAPPLE CORER**

(75) Inventor: **Sarah S. Peterson**, Seattle, WA (US)

(73) Assignee: **Progressive International Corporation**, Kent, WA (US)

(\*\*) Term: **14 Years**

(21) Appl. No.: **29/279,535**

(22) Filed: **May 2, 2007**

(51) **LOC (8) Cl.** ..... **07-06**

(52) **U.S. Cl.** ..... **D7/693**

(58) **Field of Classification Search** ..... D7/693;  
D8/107; 16/110.1, 430, 431; 30/114, 115,  
30/117, 113.1, 123.5–123.7, 300–302; 99/537–545,  
99/584

See application file for complete search history.

(56) **References Cited**

**U.S. PATENT DOCUMENTS**

2,912,757 A	11/1959	Knight	
4,246,700 A *	1/1981	Coulon et al.	30/300
4,383,367 A	5/1983	Mielnicki	
4,690,047 A *	9/1987	Balzano	99/542
4,970,786 A	11/1990	Harper	
5,115,565 A	5/1992	Narlock et al.	
5,533,442 A	7/1996	Tateno	

5,613,431 A	3/1997	Tateno	
5,983,505 A	11/1999	Gibson	
6,644,180 B1 *	11/2003	Ward	99/537
D488,360 S	4/2004	Young	
D488,361 S *	4/2004	Bertulis	D7/693
6,796,032 B2	9/2004	Hornig	
D507,726 S	7/2005	Holcomb et al.	

\* cited by examiner

*Primary Examiner*—Terry A Wallace

(74) *Attorney, Agent, or Firm*—Black Lowe & Graham, PLLC

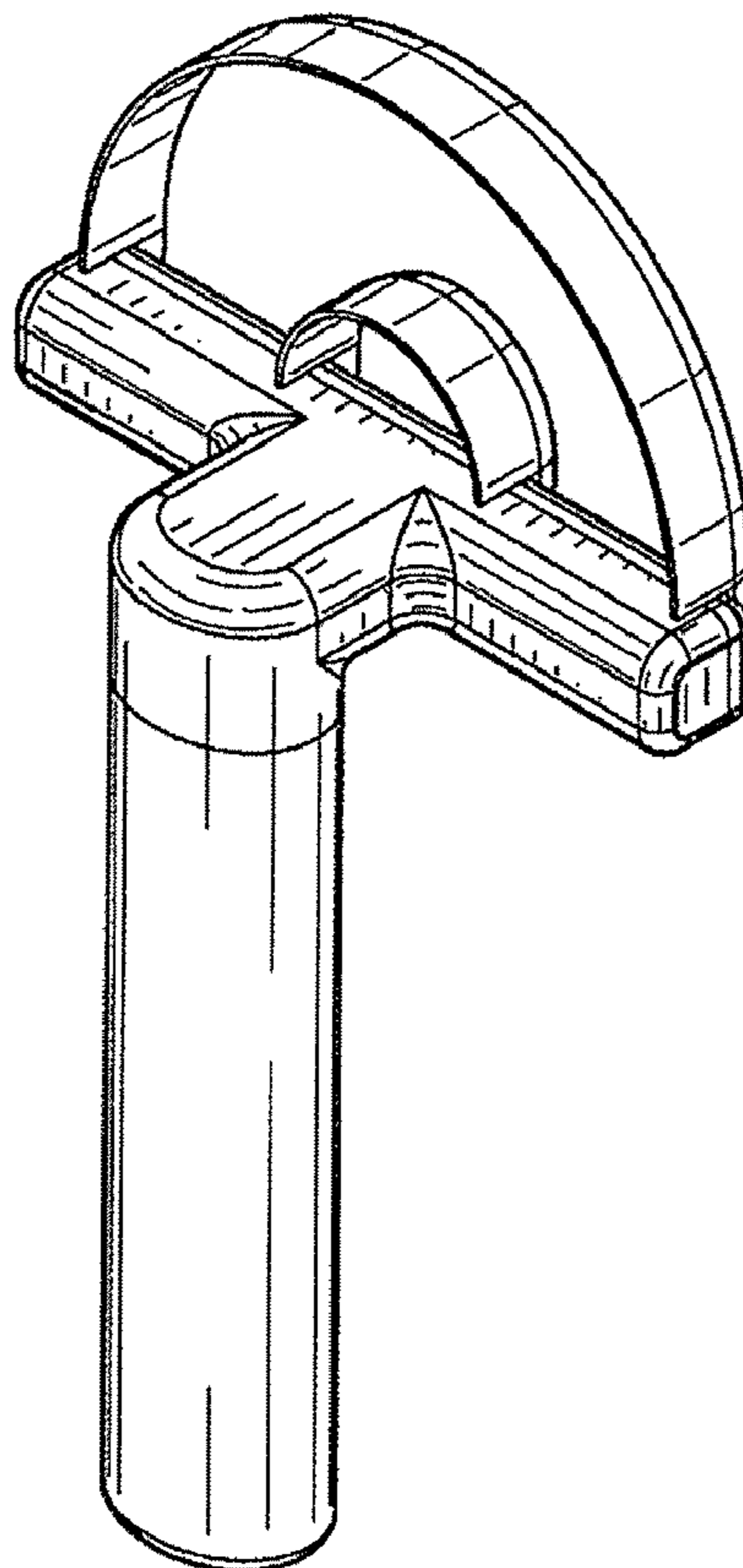
(57) **CLAIM**

I claim the ornamental design for the pineapple corer, as shown and described.

**DESCRIPTION**

FIG. 1 is a front view of the pineapple corer;  
 FIG. 2 is a top view of the pineapple corer;  
 FIG. 3 is a bottom view of the pineapple corer;  
 FIG. 4 is a left side view of the pineapple corer, the right side being a mirror image;  
 FIG. 5 is a bottom perspective view of the pineapple corer;  
 and,  
 FIG. 6 is a top perspective view of the pineapple corer;

**1 Claim, 3 Drawing Sheets**



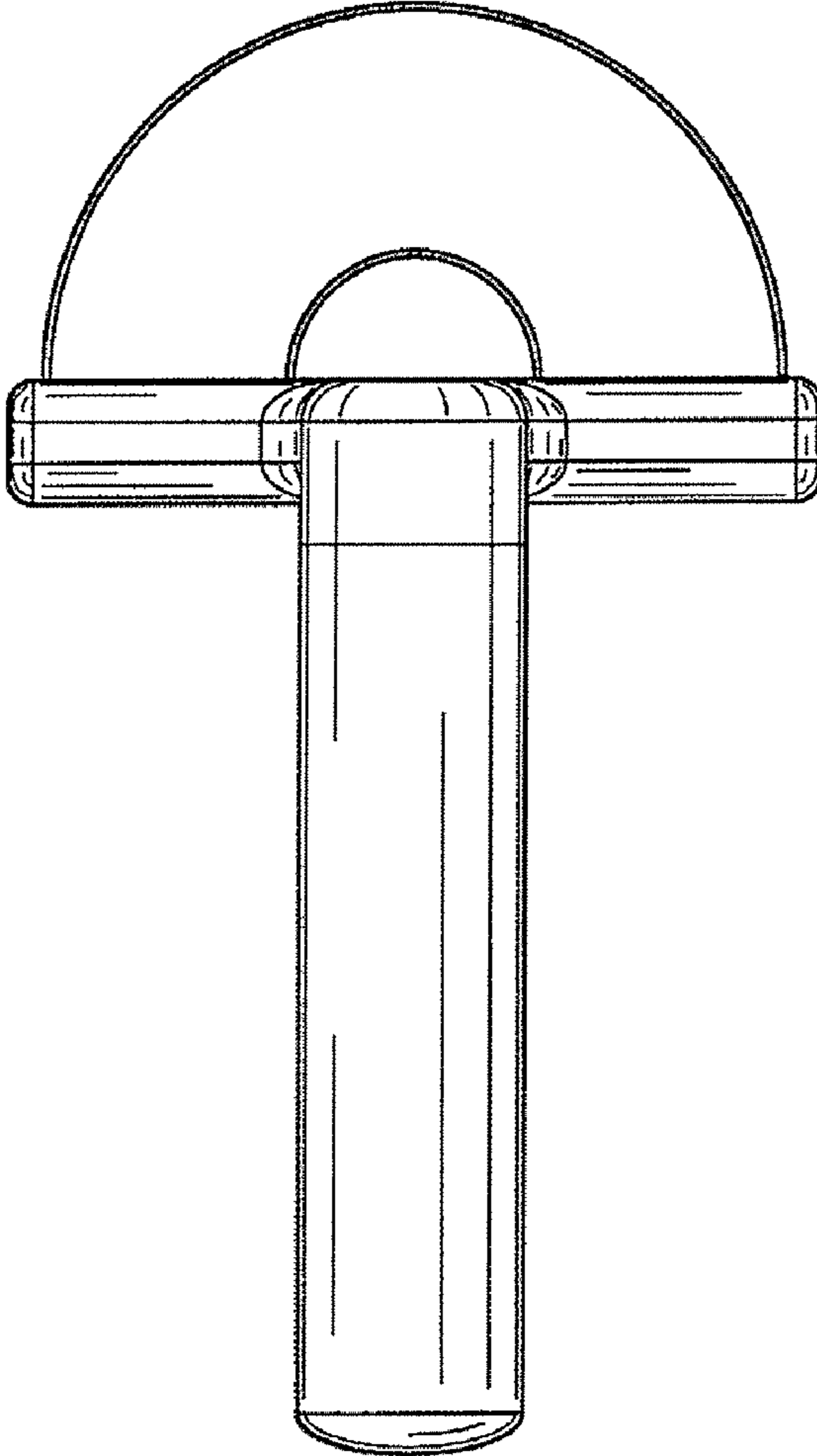


FIG.1

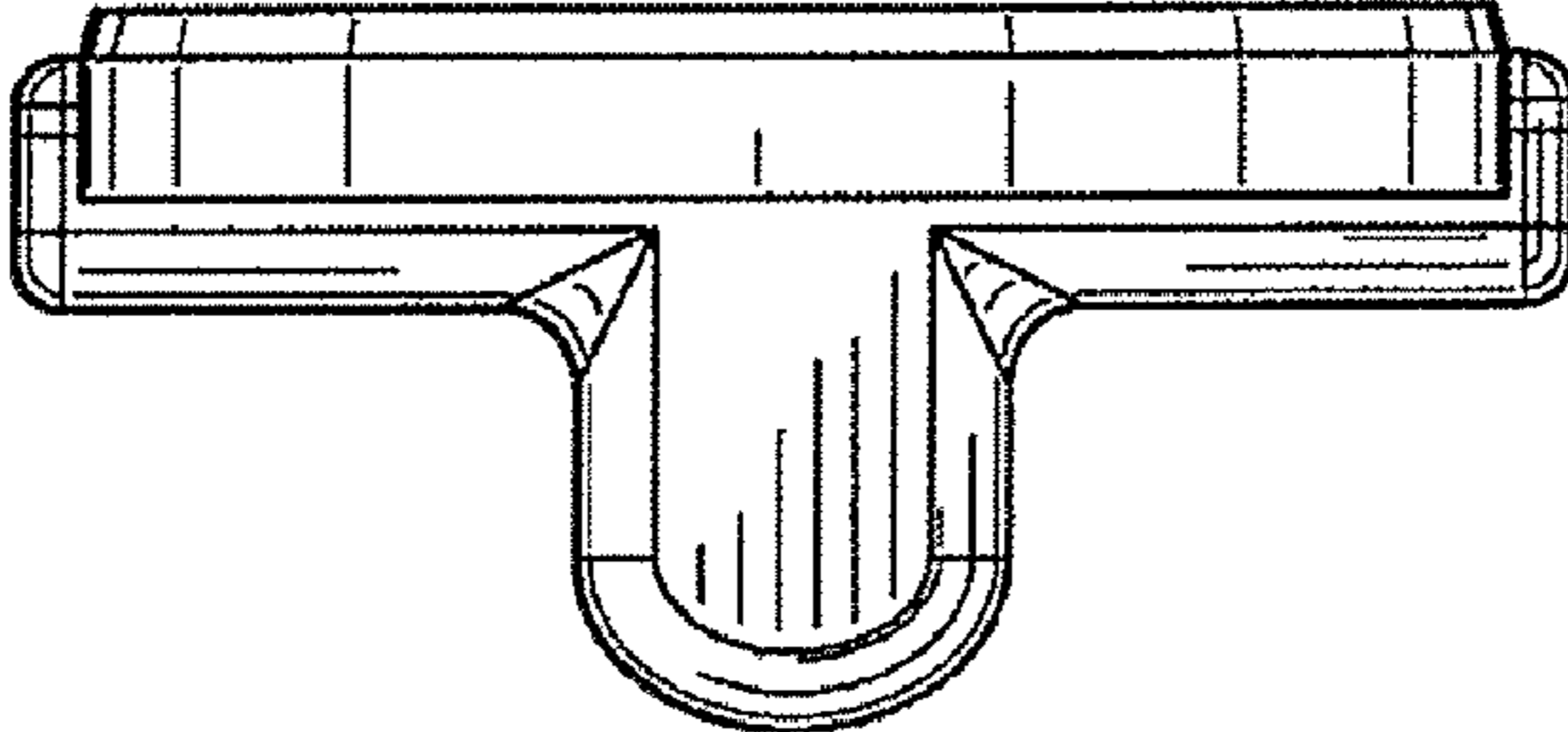


FIG.2

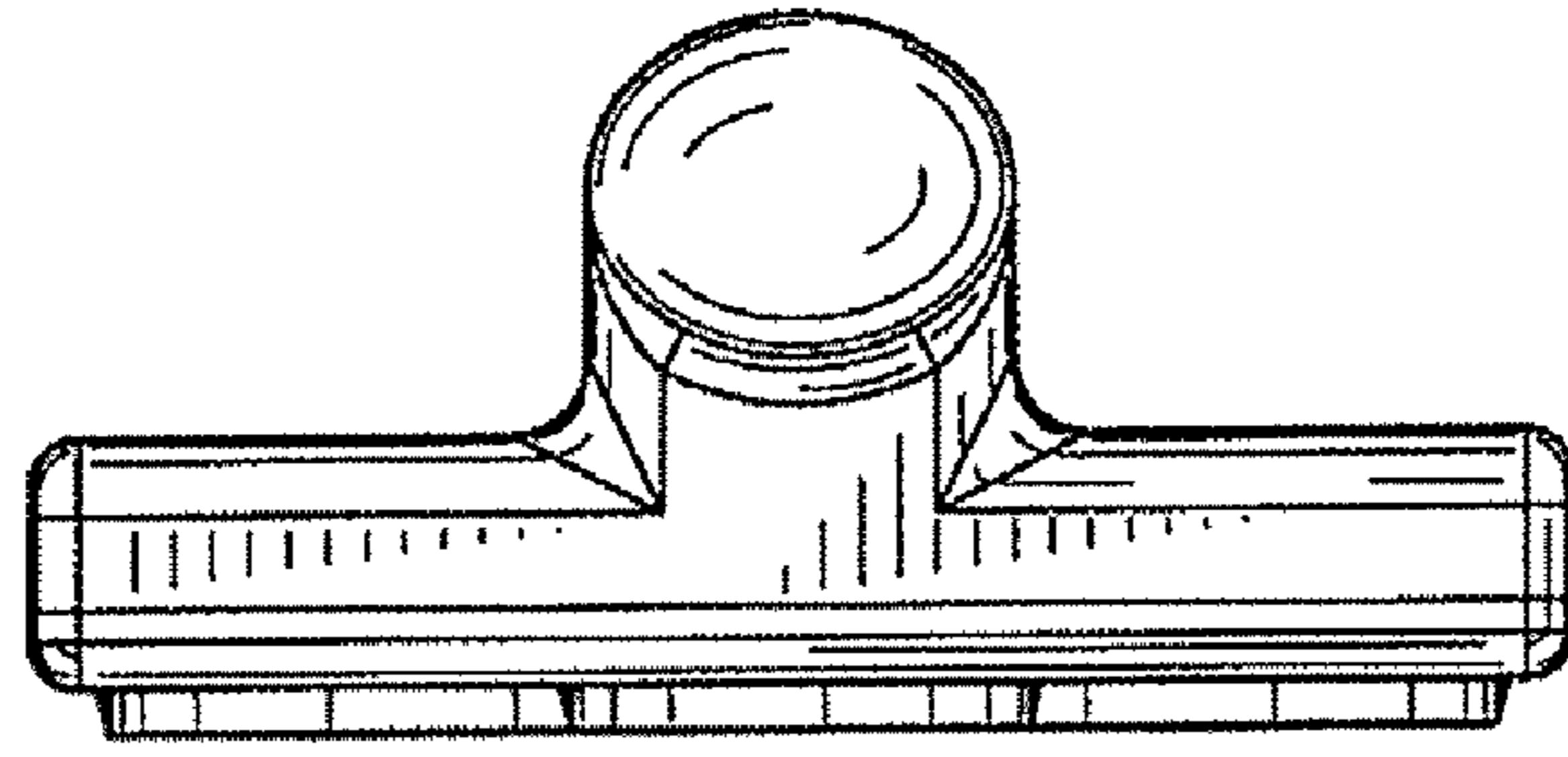


FIG. 3

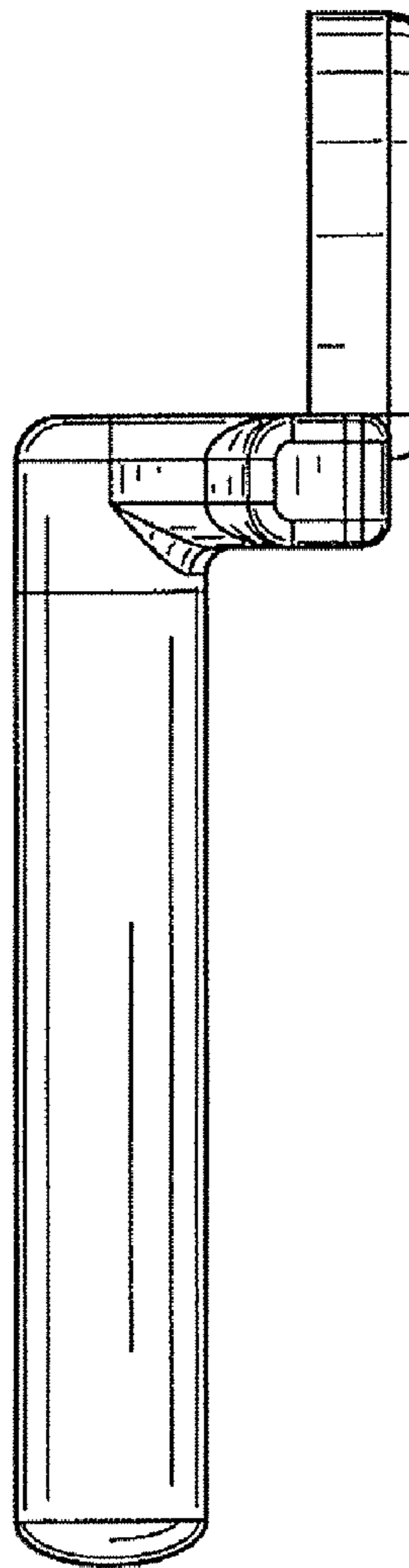


FIG. 4

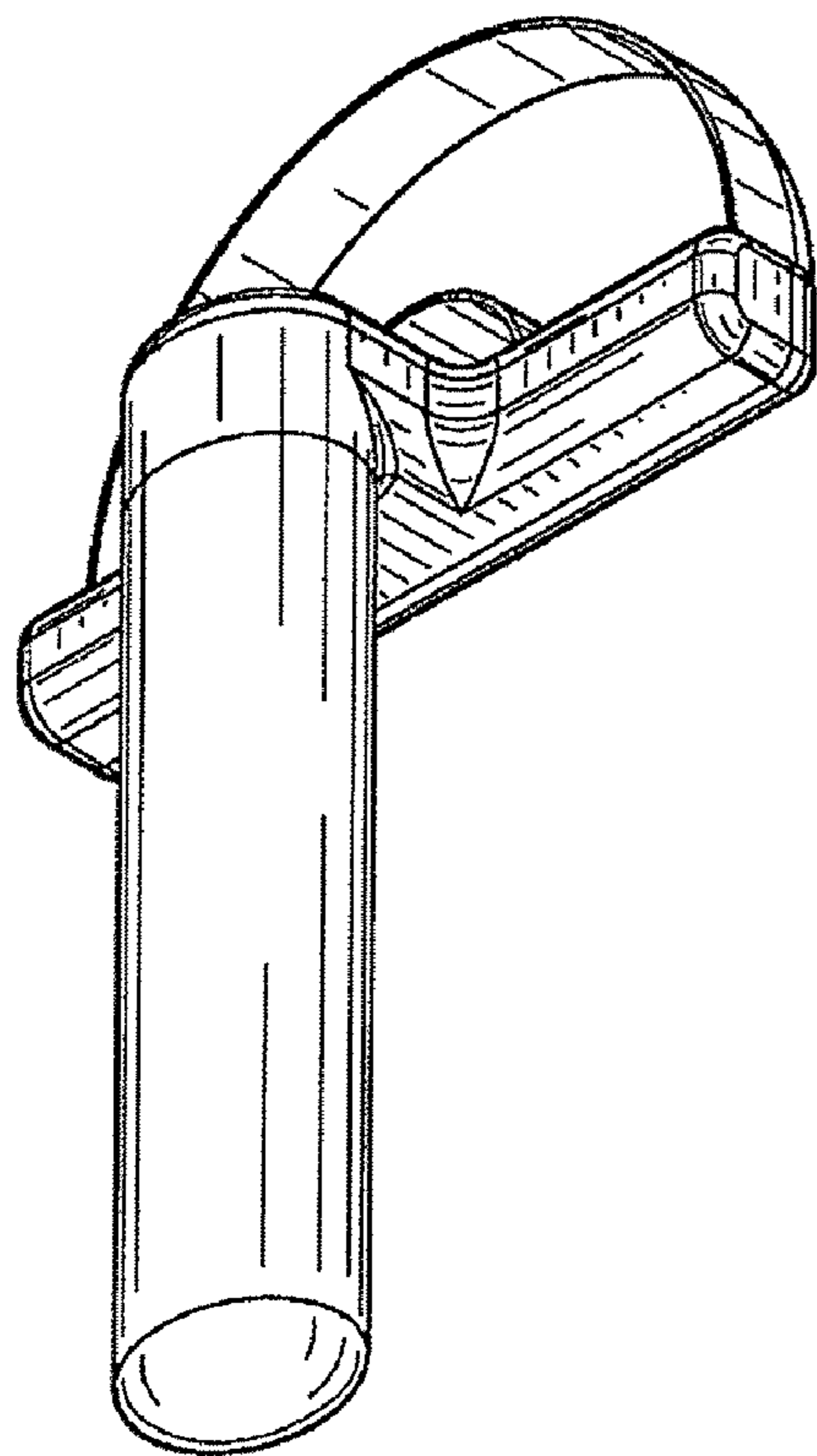


FIG. 5

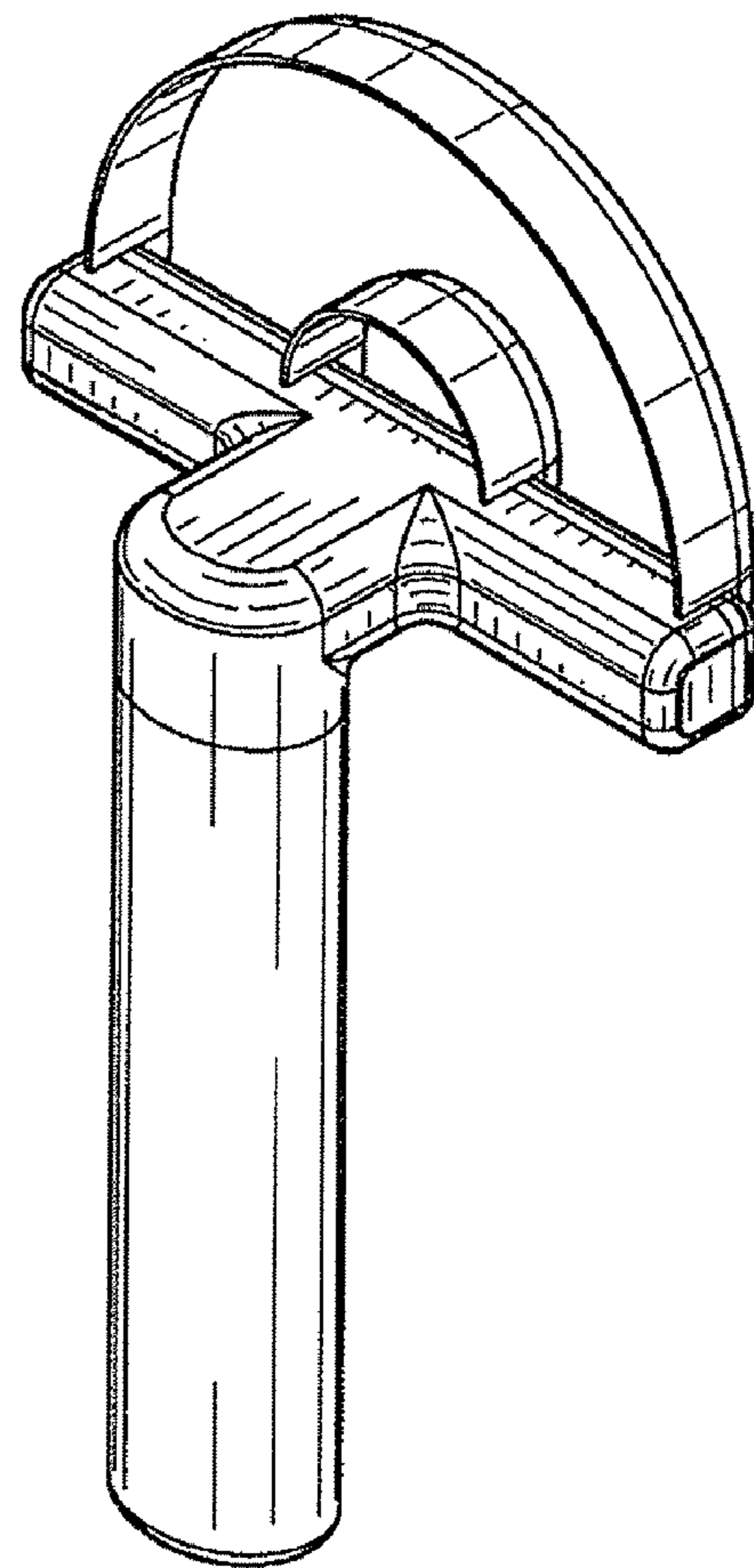


FIG. 6