



US00D568117S

(12) **United States Design Patent**
Hauser

(10) **Patent No.:** **US D568,117 S**

(45) **Date of Patent:** **** May 6, 2008**

(54) **EGG SLICER**

(75) **Inventor:** **Lawrence M. Hauser**, Federal Way,
WA (US)

(73) **Assignee:** **Progressive International Corporation**, Kent, WA (US)

(**) **Term:** **14 Years**

(21) **Appl. No.:** **29/281,263**

(22) **Filed:** **Jun. 19, 2007**

(51) **LOC (8) Cl.** **07-04**

(52) **U.S. Cl.** **D7/674; D7/672**

(58) **Field of Classification Search** D7/672-676,
D7/381, 693; 83/669, 856, 857, 932, 870,
83/699.51, 699.61; 30/114, 278, 279.6, 280,
30/283, 286, 287, 289-291; 241/92-95,
241/100, 168, 169, 169.1; 99/495, 508-513
See application file for complete search history.

(56) **References Cited**

U.S. PATENT DOCUMENTS

- 2,766,793 A * 10/1956 Duszynski 83/699.51
- 4,310,971 A * 1/1982 Rowell 30/114
- 5,749,145 A * 5/1998 Baukloh 30/114
- D400,065 S * 10/1998 Fohrman D7/673
- D464,851 S * 10/2002 Dorion D7/673

- 6,805,032 B2 * 10/2004 Engdahl 30/114
- D499,615 S * 12/2004 Nordgren D7/674
- 2004/0055437 A1 * 3/2004 Engdahl 30/114
- 2006/0101973 A1 * 5/2006 Repac et al. 83/651

* cited by examiner

Primary Examiner—Terry A Wallace

(74) *Attorney, Agent, or Firm*—Black Lowe & Graham,
PLLC

(57) **CLAIM**

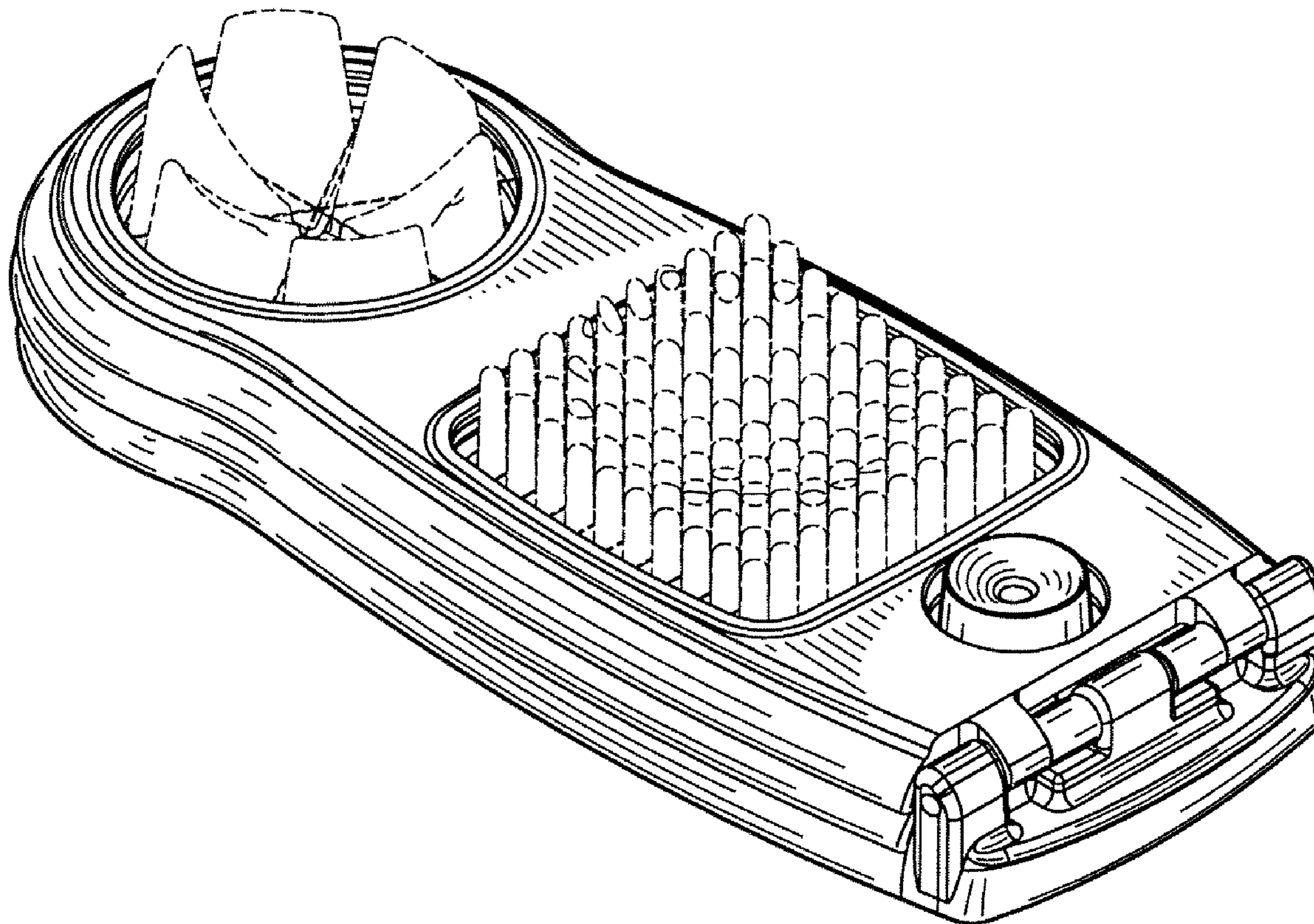
The ornamental design for an egg slicer, as shown and described.

DESCRIPTION

- FIG. 1 is a top view of the egg slicer;
- FIG. 2 is a front view of the egg slicer, the back view being a mirror image;
- FIG. 3 is a bottom view of the egg slicer;
- FIG. 4 is a left side view of the egg slicer;
- FIG. 5 is a right side view of the egg slicer;
- FIG. 6 is a left top perspective view of the egg slicer; and,
- FIG. 7 is a right top perspective view of the egg slicer.

The broken lines are for illustrative purposes only and form no part of the claimed design.

1 Claim, 3 Drawing Sheets



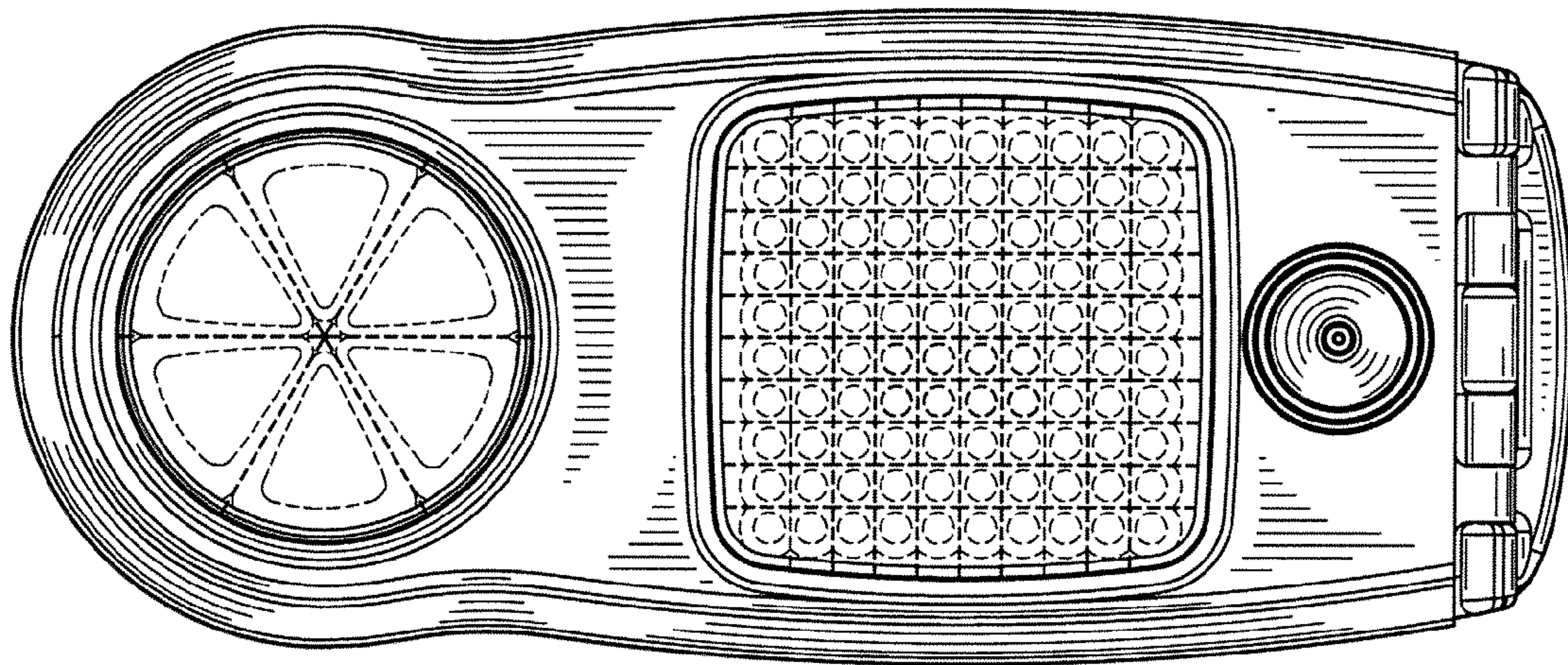


FIG.1

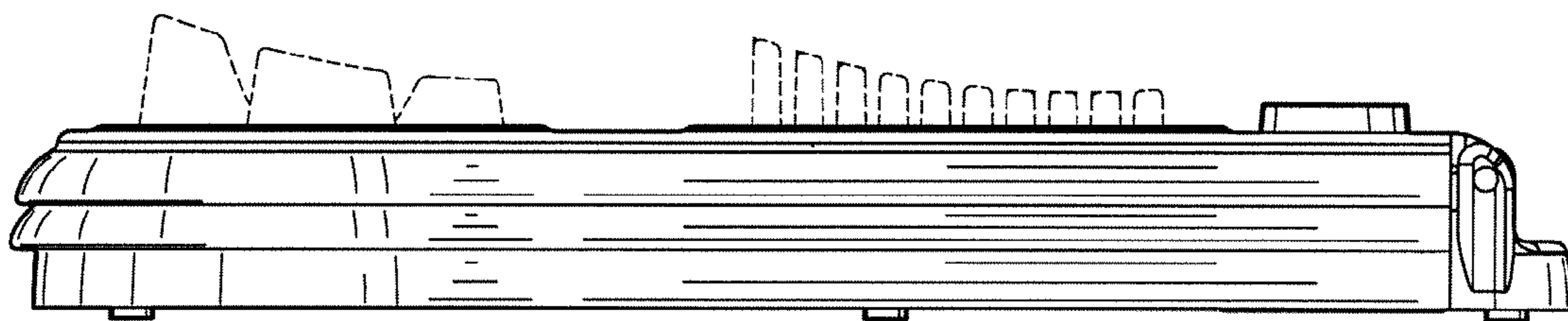


FIG.2

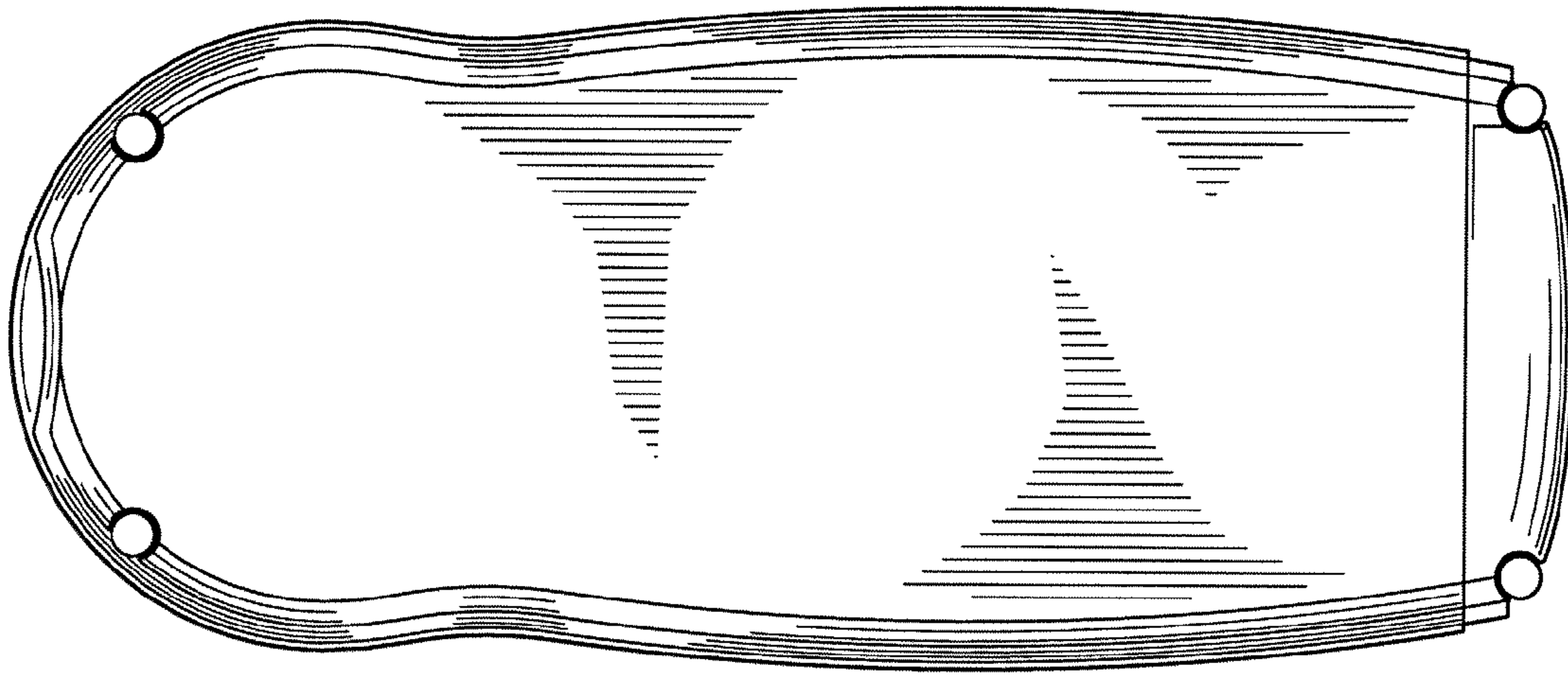


FIG. 3

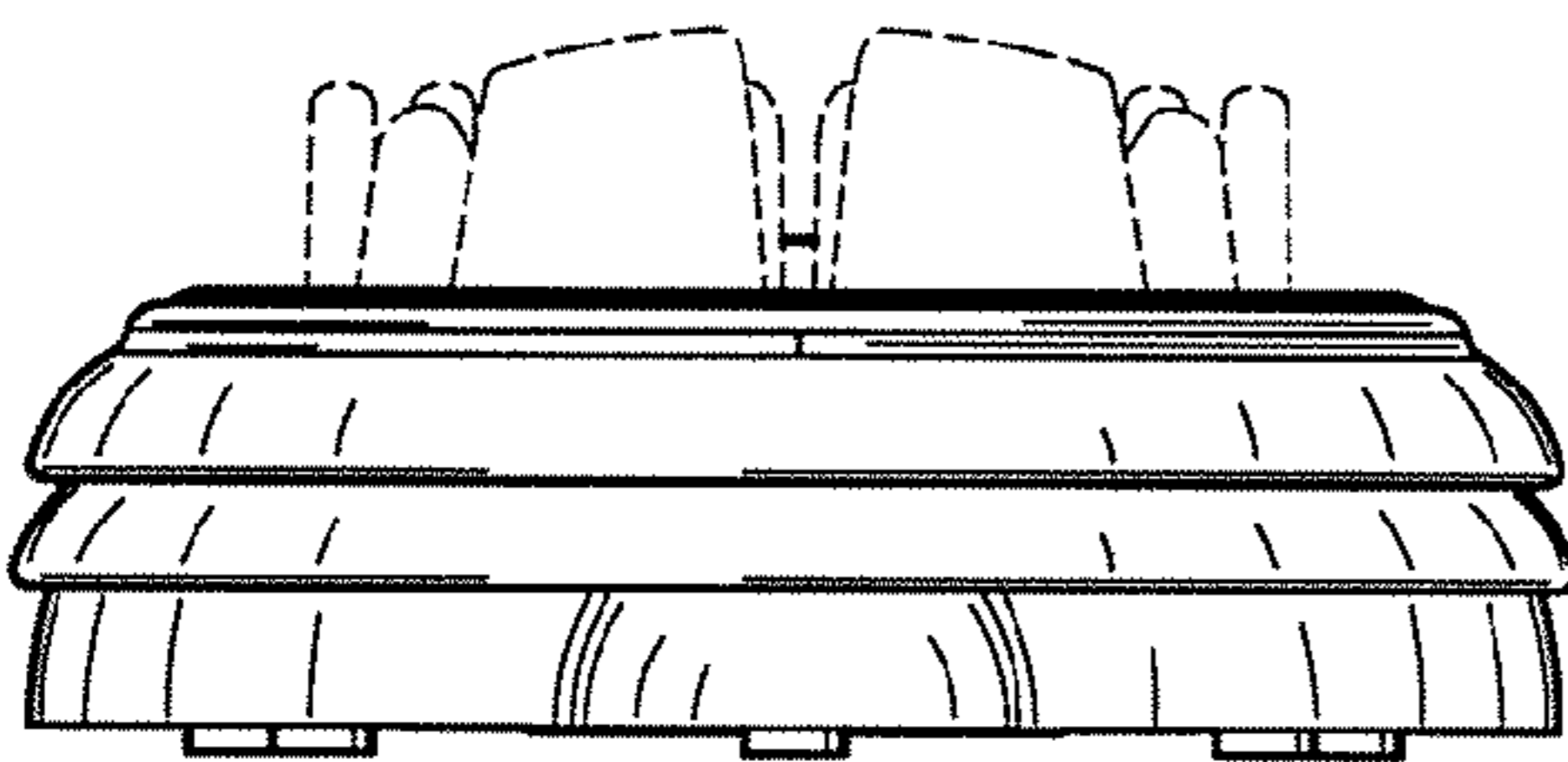


FIG. 4

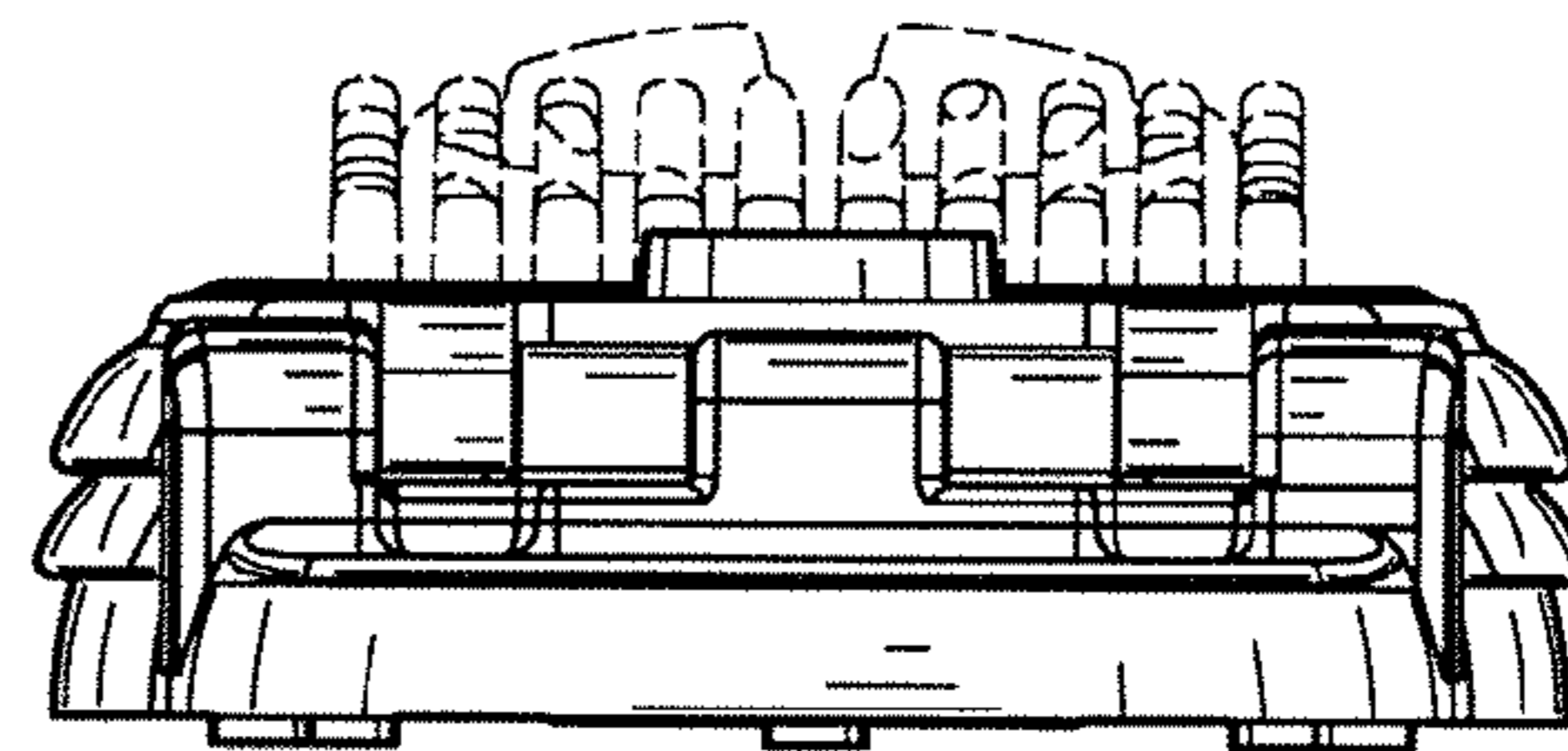


FIG. 5

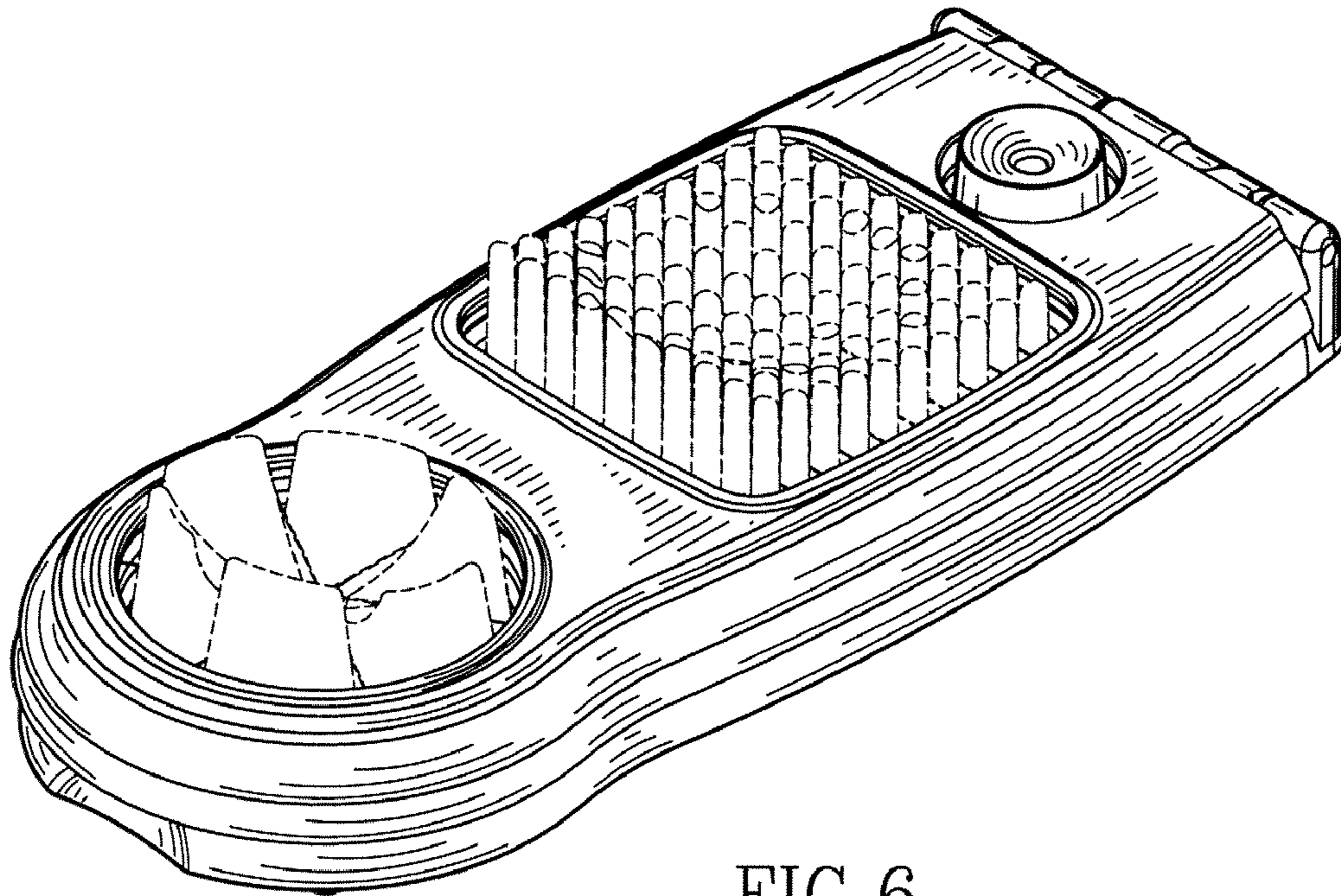


FIG. 6

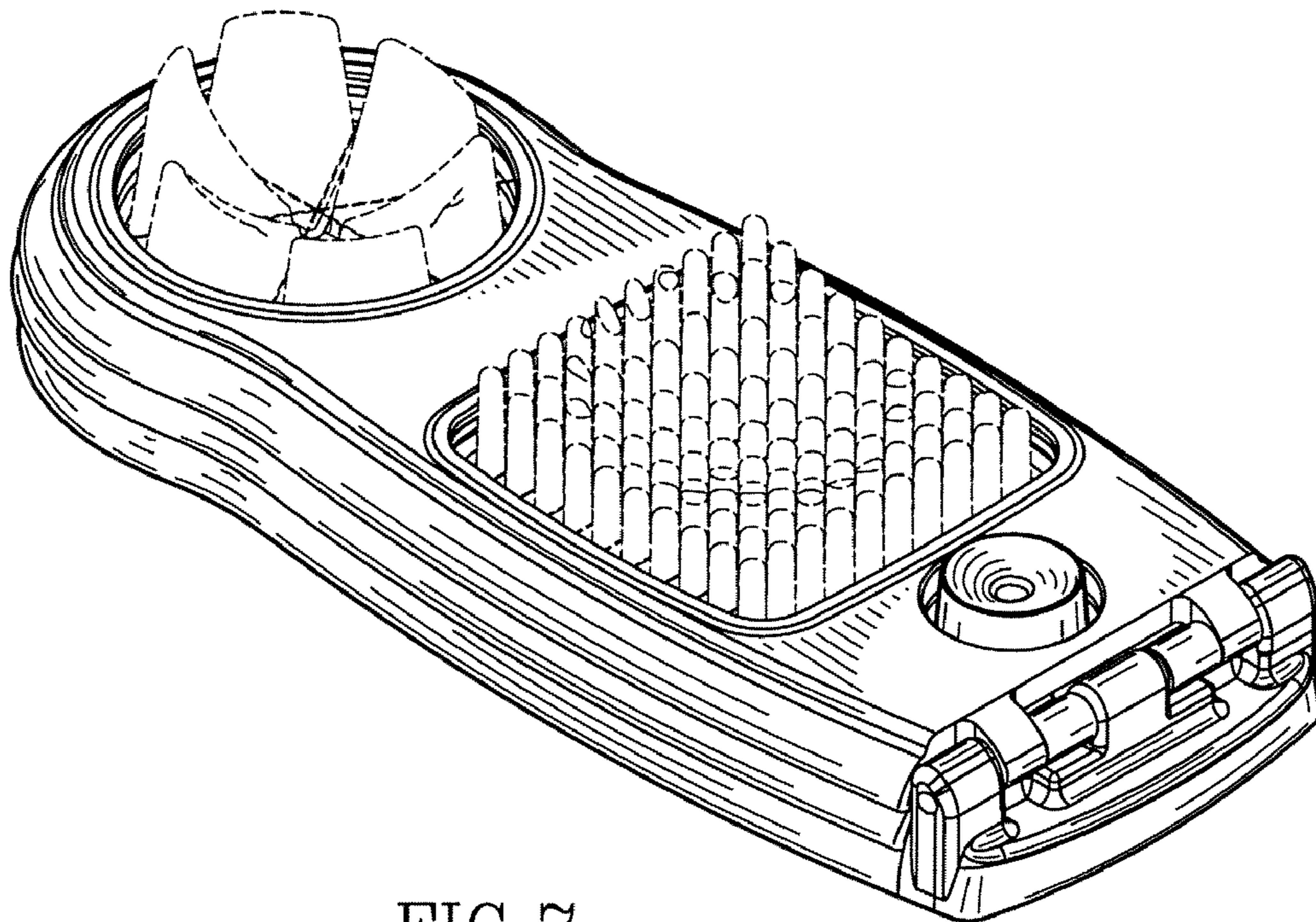


FIG. 7