



US00D568116S

(12) **United States Design Patent**
Goodman et al.

(10) **Patent No.:** **US D568,116 S**

(45) **Date of Patent:** **** May 6, 2008**

(54) **WALL-MOUNT SPICE RACK**

D437,165 S * 2/2001 Goodman et al. D7/600.4
D495,929 S * 9/2004 Clarson D7/600.4

(75) Inventors: **Sheldon H. Goodman**, Solon, OH
(US); **Justin J. Myers**, Strongsville,
OH (US)

* cited by examiner

Primary Examiner—Terry A Wallace

(73) Assignee: **Spectrum Diversified Designs, Inc.**,
Streetsboro, OH (US)

(74) *Attorney, Agent, or Firm*—Pearne & Gordon LLP

(**) Term: **14 Years**

(57) **CLAIM**

(21) Appl. No.: **29/278,738**

The ornamental design for a wall-mount spice rack, as shown and described.

(22) Filed: **Apr. 9, 2007**

DESCRIPTION

(51) **LOC (8) Cl.** **07-06**

FIG. 1 is a perspective view of a wall-mount spice rack, showing our new design;

(52) **U.S. Cl.** **D7/600.4**

FIG. 2 is a front elevational view thereof;

(58) **Field of Classification Search** ... D7/600.1–600.4,
D7/637–641, 701, 704; D6/566, 525; 211/13.1,
211/70.6, 70.7, 87, 90, 106, 181.1

FIG. 3 is a side elevational view thereof; and,

See application file for complete search history.

FIG. 4 is a perspective view of a second embodiment of a wall-mount spice rack. The jagged broken lines form no part of the claimed design and the subject matter between the jagged lines is broken away to disclose indeterminate height and a variable number of racks.

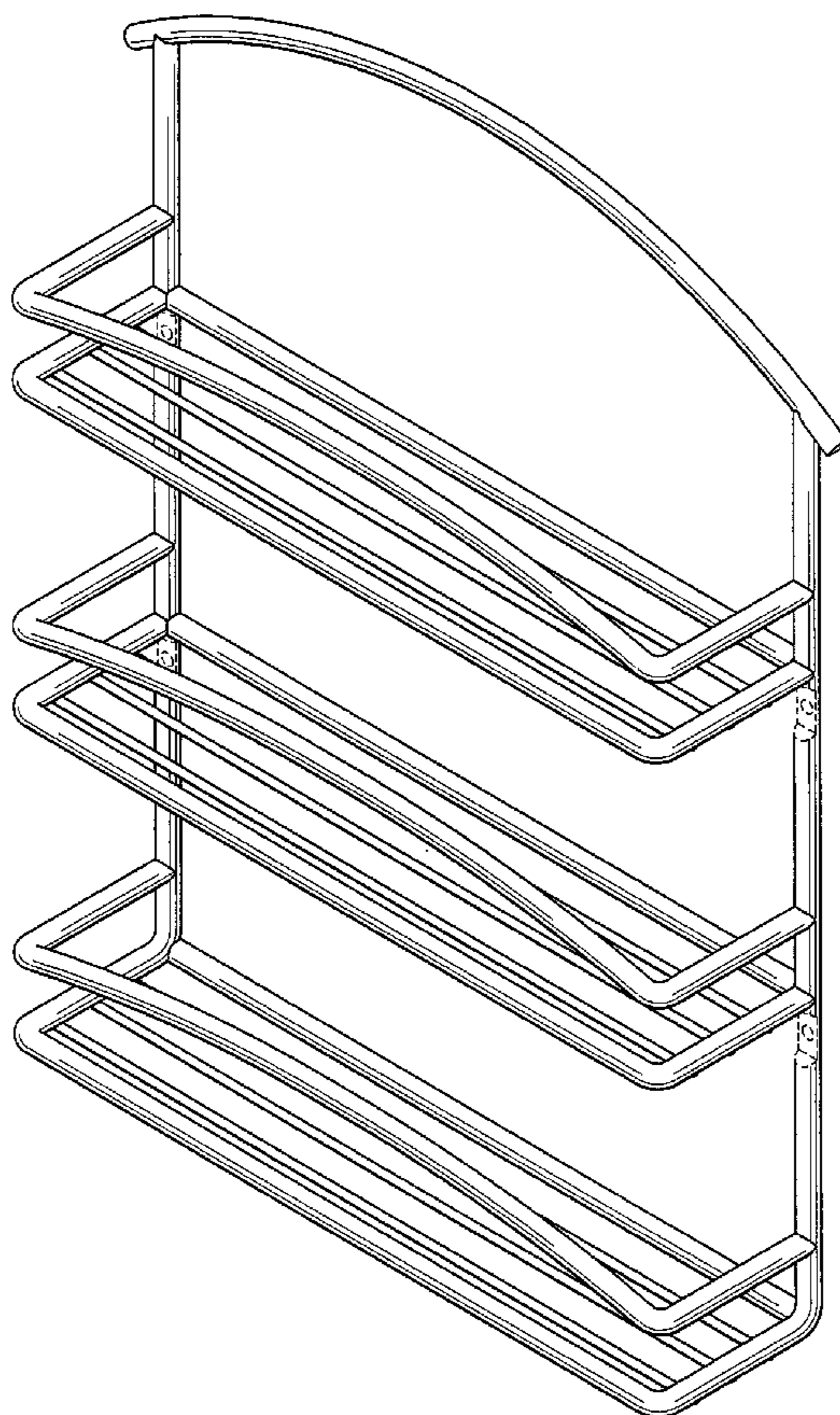
(56) **References Cited**

The dotted-line disclosure of elements in the views is for illustrative purposes only and forms no part of the claimed design.

U.S. PATENT DOCUMENTS

2,903,137 A * 9/1959 Brown 211/106
D247,660 S * 4/1978 Tortorici D7/701
D285,156 S * 8/1986 Chap D6/566
D424,383 S * 5/2000 Howitt et al. D7/600.4
D429,435 S * 8/2000 Walters-Dowding et al. D6/566

1 Claim, 3 Drawing Sheets



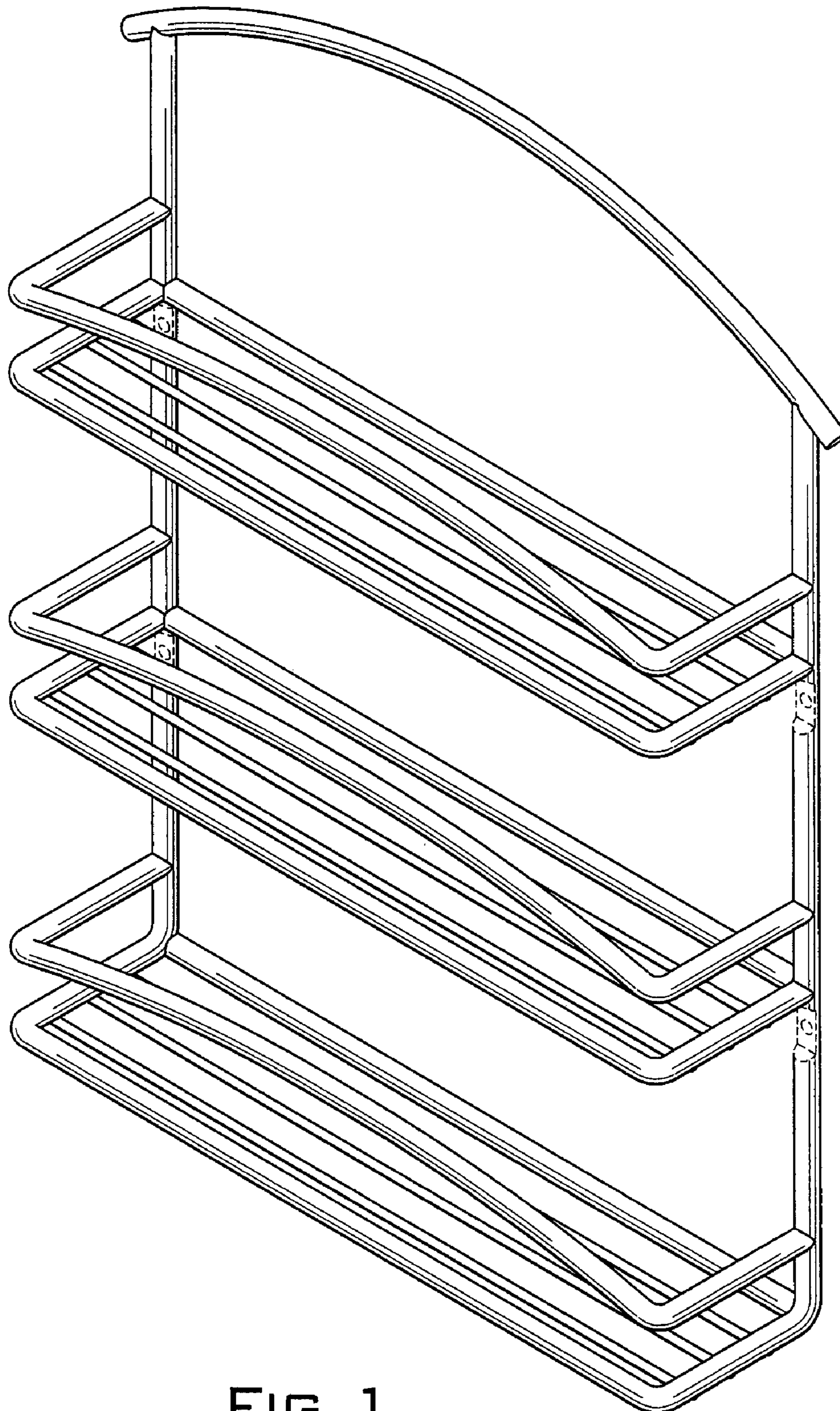


FIG. 1

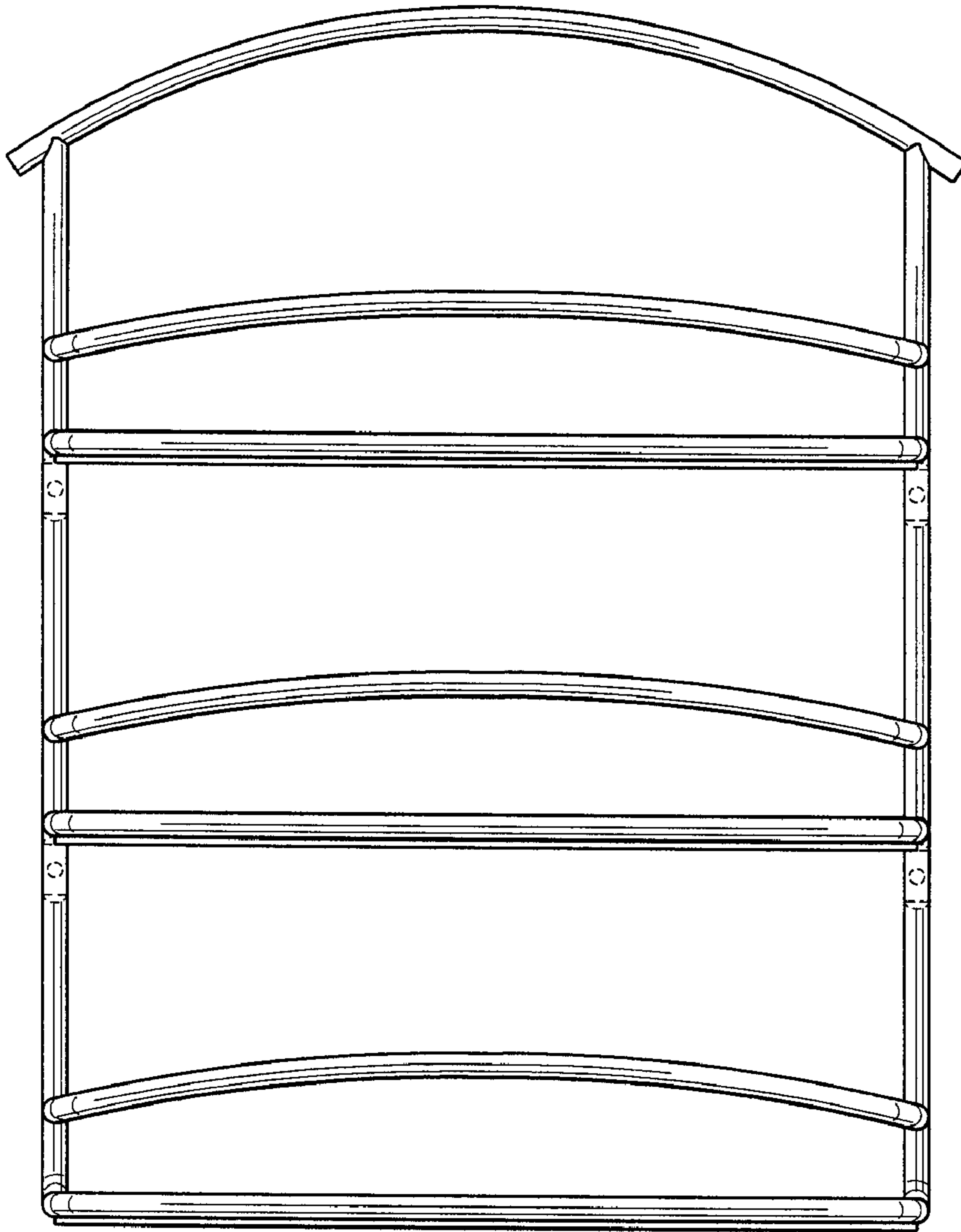


FIG. 2

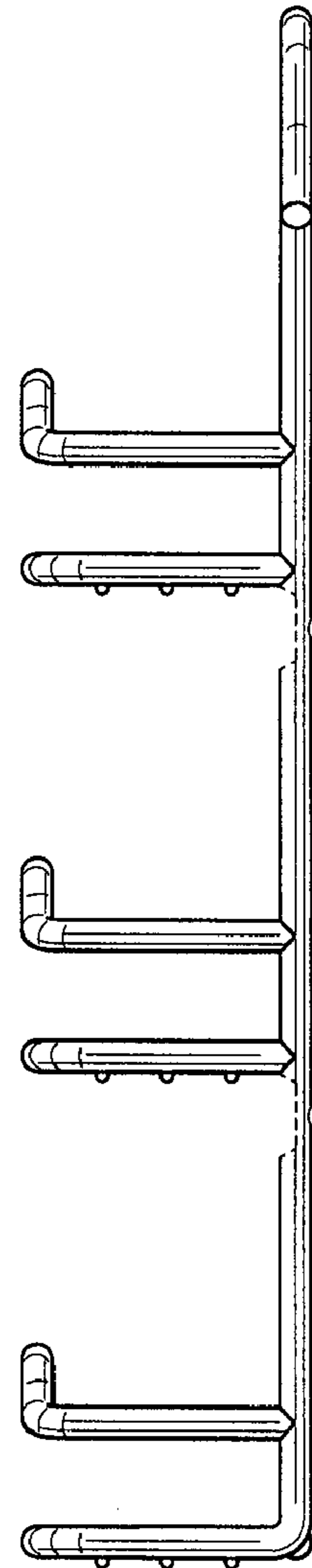


FIG. 3

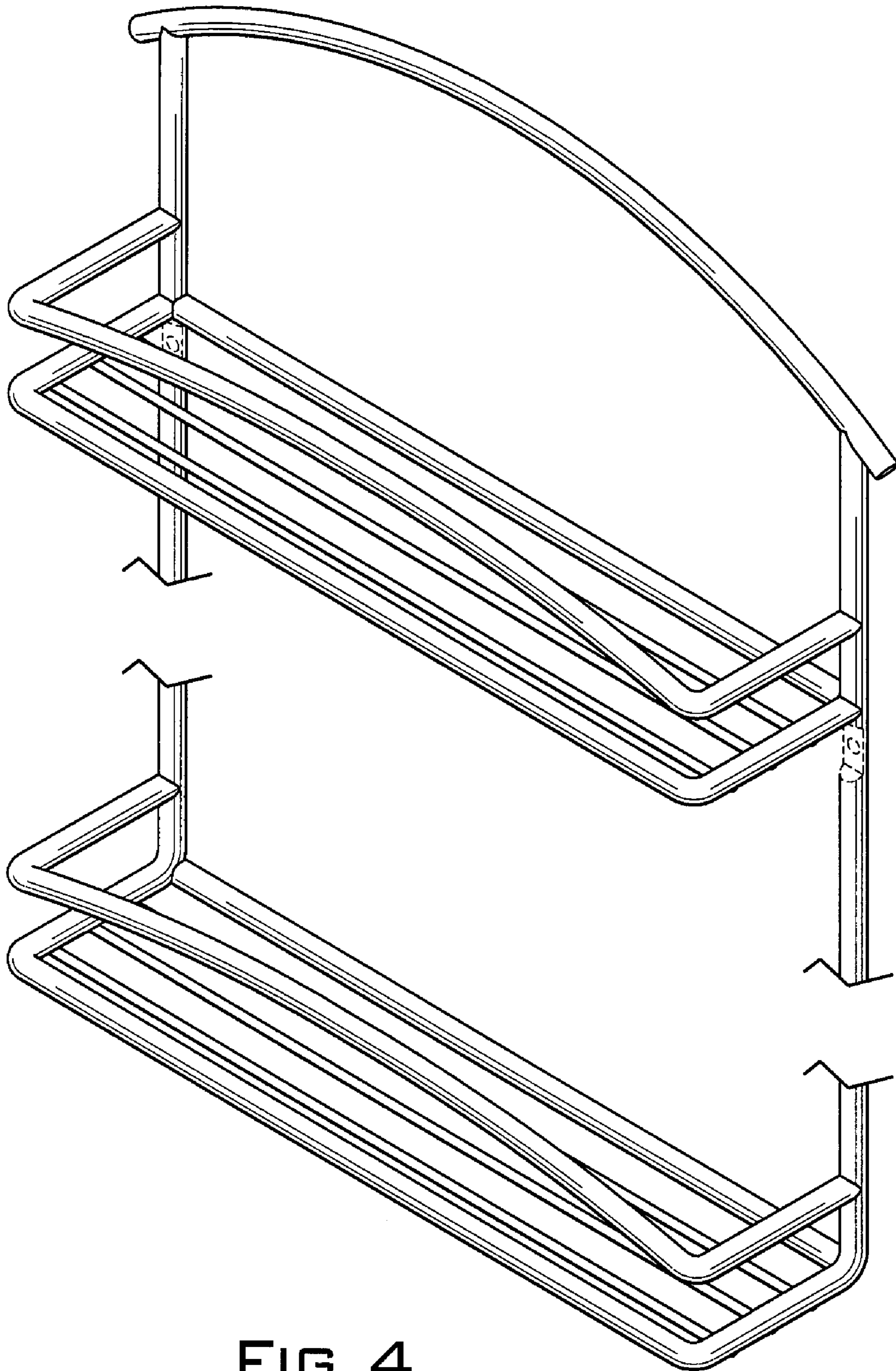


FIG. 4