

US00D568113S

(12) **United States Design Patent** (10) **Patent No.:** **US D568,113 S**
Wasserman et al. (45) **Date of Patent:** **** May 6, 2008**

(54) **DOUBLE WALLED BOWL**
(75) Inventors: **David M. Wasserman**, Whitefish Bay, WI (US); **Rebecca J. Schreiber-Pethan**, Sheboygan, WI (US)
(73) Assignee: **The Vollrath Company, L.L.C.**, Sheboygan, WI (US)
(**) Term: **14 Years**
(21) Appl. No.: **29/273,654**
(22) Filed: **Mar. 9, 2007**

D94,245 S 1/1935 Sebring, Jr. et al.
D95,504 S 5/1935 Guild
2,050,206 A 8/1936 Chaplin
2,051,940 A 8/1936 Chichester-Miles
D101,721 S 10/1936 Spinelli et al.
D101,861 S 11/1936 Ebeling
D103,390 S 3/1937 Connor
D103,666 S 3/1937 Brogden
D113,511 S 2/1939 Heller
D144,905 S 6/1946 Cameron
D168,218 S 11/1952 Falk

(Continued)

Related U.S. Application Data

(63) Continuation of application No. 29/239,244, filed on Sep. 28, 2005, now Pat. No. Des. 539,094.

Primary Examiner—Ian Simmons
Assistant Examiner—Charles D Hanson
(74) *Attorney, Agent, or Firm*—Foley & Lardner LLP

(51) **LOC (8) Cl.** **07-01**
(52) **U.S. Cl.** **D7/586**
(58) **Field of Classification Search** D7/584–586, D7/535, 602, 542, 505, 543, 611, 545, 376, D7/630, 565, 558, 300.1, 397, 312, 523, 316, D7/396.2, 503, 566, 509, 570; D9/769, 772, D9/424, 425, 430–433, 428, 901, 902; 220/23.83, 220/574, 212, 657, 659, 755, 771; 222/143, 222/465.1; 206/821, 822
See application file for complete search history.

(57) **CLAIM**

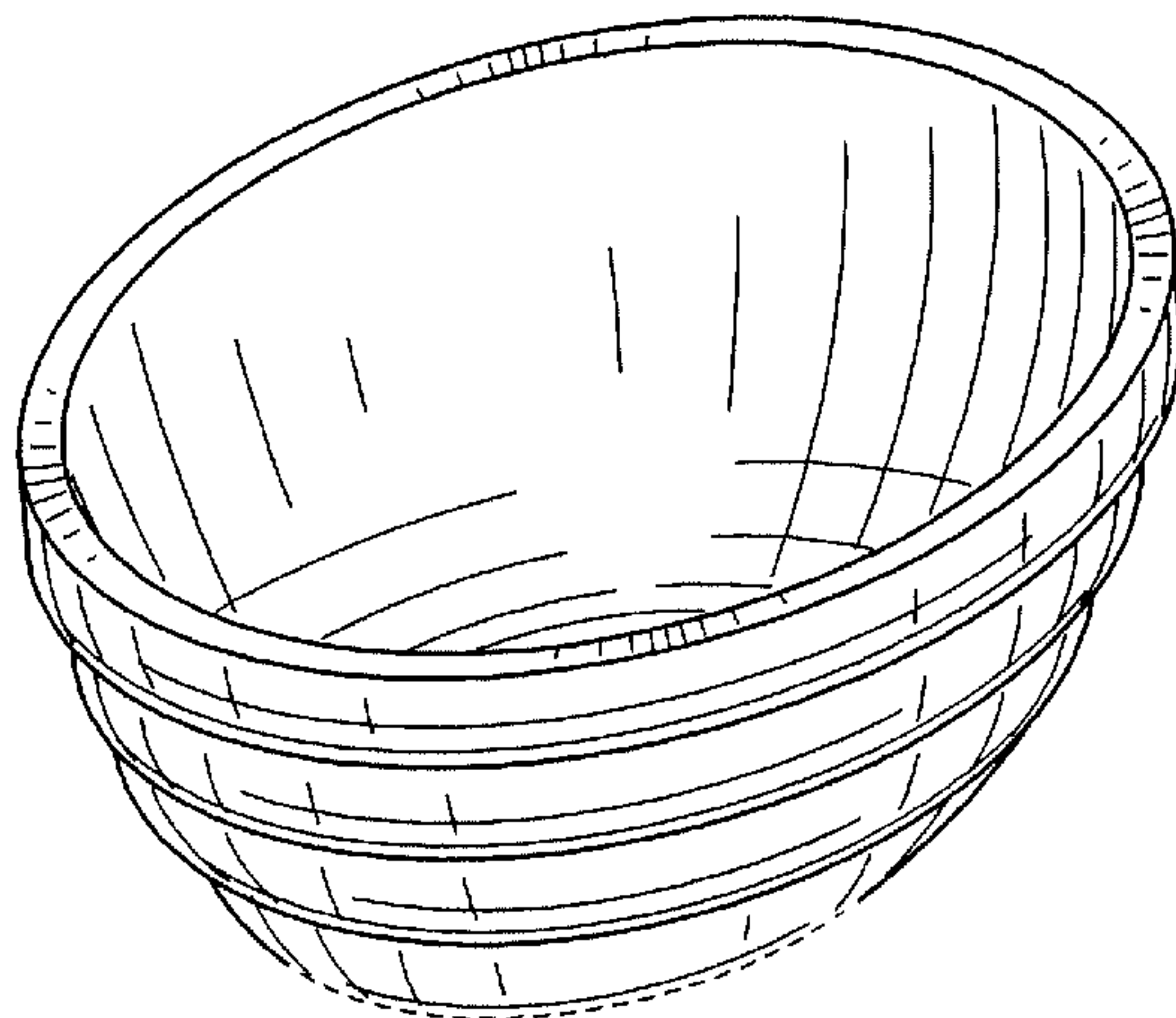
We claim the ornamental design for a double walled bowl, as shown and described.

DESCRIPTION

FIG. 1 is a top perspective view of a double walled bowl showing our new design;
FIG. 2 is a left elevation view, the right side being a mirror image;
FIG. 3 is a top plan view thereof;
FIG. 4 is a front elevation view, the rear elevation being a mirror image;
FIG. 5 is a bottom plan view thereof;
FIG. 6 is a sectional view thereof taken along line 6—6 of FIG. 3; and,
FIG. 7 is a section view thereof taken along line 7—7 of FIG. 3.
The broken line showing of is included for the purpose of illustrating environment and forms no part of the claimed design.

(56) **References Cited**
U.S. PATENT DOCUMENTS
70,427 A 11/1867 Fallows
184,814 A 11/1876 Adam
D15,753 S 1/1885 Knowles et al.
1,093,648 A 4/1914 Potter
D50,194 S 1/1917 Haley
D50,398 S 2/1917 Miller
D50,401 S 2/1917 Miller
1,607,864 A 11/1926 Butler
D75,939 S 7/1928 Tennhardt
D78,585 S 4/1929 Nock
D81,921 S 1/1930 Dwyer
D94,207 S 1/1935 Guild

1 Claim, 4 Drawing Sheets



US D568,113 S

Page 2

U.S. PATENT DOCUMENTS

D201,376 S	6/1965	Schroeder	D389,061 S	1/1998	Ebrahim et al.
D204,212 S	3/1966	Davis	5,706,980 A	1/1998	Dickerson
D204,781 S	5/1966	Wanderer	D391,808 S	3/1998	Voege
D209,307 S	11/1967	Schilling	D406,986 S	3/1999	Lewis
D209,311 S	11/1967	Schilling	D409,447 S	5/1999	Henry
D214,678 S	7/1969	Weeber	D409,448 S	5/1999	Hudson, Jr. et al.
D219,496 S	12/1970	Lebedeff	D411,288 S	6/1999	Cuttriss
D219,748 S	1/1971	Bixler	5,934,472 A	8/1999	Ramirez et al.
D220,846 S	6/1971	Mascetti, Jr.	D414,080 S	9/1999	Bolwien
3,611,998 A	10/1971	Loscalzo	D415,933 S	11/1999	Cornelissen
3,792,809 A	2/1974	Schneider et al.	D424,879 S	5/2000	Biber
D230,552 S	3/1974	Bengert	D428,770 S	8/2000	Wellner
D234,448 S	3/1975	Achenbach	D428,771 S	8/2000	Novi
D248,269 S	6/1978	Schredkengost	D432,362 S	10/2000	Fait
D253,331 S	11/1979	Olschewski	D432,868 S	10/2000	Tan
D254,714 S	4/1980	Mascia et al.	D434,946 S	12/2000	Jarvis
D256,756 S	9/1980	Painter et al.	D438,794 S	3/2001	Miles et al.
D262,681 S	1/1982	Dawson	D441,257 S	5/2001	Indekeu
D264,791 S	6/1982	Conti	D442,019 S	5/2001	Wyche
D264,792 S	6/1982	Conti	D442,425 S	5/2001	Wyche
4,435,628 A	3/1984	Bowen et al.	D443,049 S	5/2001	Kuo
D279,445 S	7/1985	Jagger	D443,467 S	6/2001	Bradley
D285,515 S	9/1986	Papciak	D443,476 S	6/2001	Miura
D288,515 S	3/1987	Rimmeir	D456,211 S	4/2002	Price
D289,245 S	4/1987	Ritman	D457,389 S	5/2002	Snell
D289,246 S	4/1987	Ritman	D458,807 S	6/2002	Trazzi
D289,717 S	5/1987	Ritman	D459,946 S	7/2002	Willat
D291,757 S	9/1987	Ritman	D461,431 S	8/2002	Ciocchini
4,723,681 A	2/1988	Glerum	D471,404 S	3/2003	Gady
D299,106 S	12/1988	Pomroy	D471,406 S	3/2003	Wellner
D314,886 S	2/1991	Zivin	D473,758 S	4/2003	Wilson
D315,658 S	3/1991	Scherer	D478,476 S	8/2003	Wellner
D316,686 S	5/1991	Tardif	D478,477 S	8/2003	Tisdale et al.
D318,596 S	7/1991	Watts	D480,269 S	10/2003	Currier
D321,815 S	11/1991	Bowdler	D481,262 S	10/2003	Tisdale et al.
D325,112 S	4/1992	Thompson	D482,967 S	12/2003	Bourque et al.
D327,236 S	6/1992	Weder	D485,127 S	1/2004	Maier-Aichen
5,172,826 A	12/1992	Celaya	D488,352 S	4/2004	Tisdale et al.
D340,617 S	10/1993	Douglas	D491,019 S	6/2004	Marsden et al.
D345,716 S	4/1994	Kwiatkowski	D494,062 S	8/2004	Willis
D345,895 S	4/1994	Jaworski	D494,419 S	8/2004	Armer
D360,558 S	7/1995	Appleman	D495,211 S	8/2004	Brown et al.
D362,155 S	9/1995	Yee	D496,211 S	8/2004	Brown et al.
D362,594 S	9/1995	McEntee	D495,564 S	9/2004	Bodum
D367,413 S	2/1996	Ballin	D511,437 S	11/2005	Brown
D371,939 S	7/1996	Rigney	D521,130 S	5/2006	Mayer
5,626,256 A	5/1997	Onneweer	D525,532 S	7/2006	Glass
D381,934 S	8/1997	Weder et al.	D527,942 S	9/2006	Czebiniaak
D383,646 S	9/1997	Jeppesen et al.	D539,094 S *	3/2007	Wasserman et al. D7/584
D385,749 S	11/1997	Ebrahim et al.	D545,133 S *	6/2007	Wasserman et al. D7/565

* cited by examiner

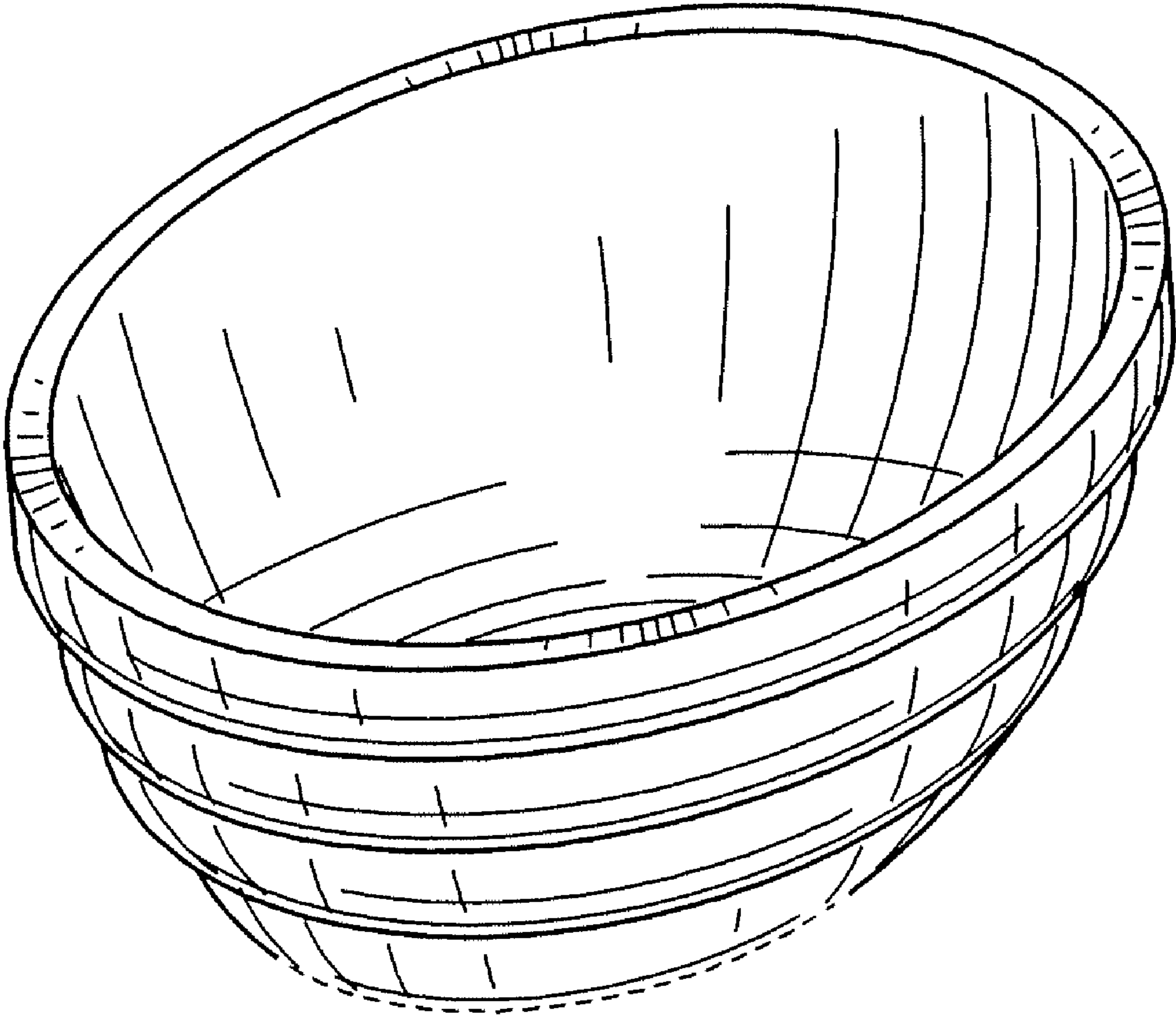


FIG. 1

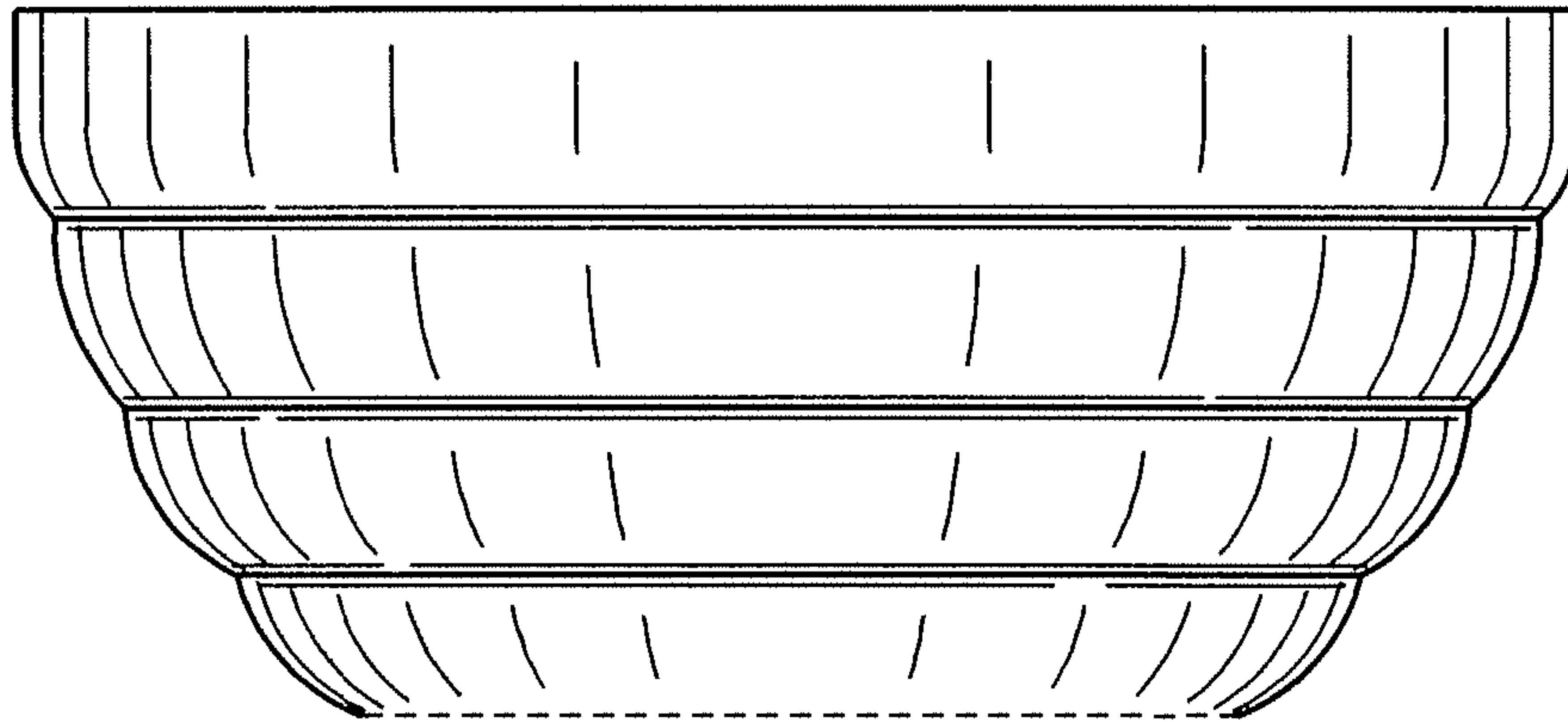


FIG. 2

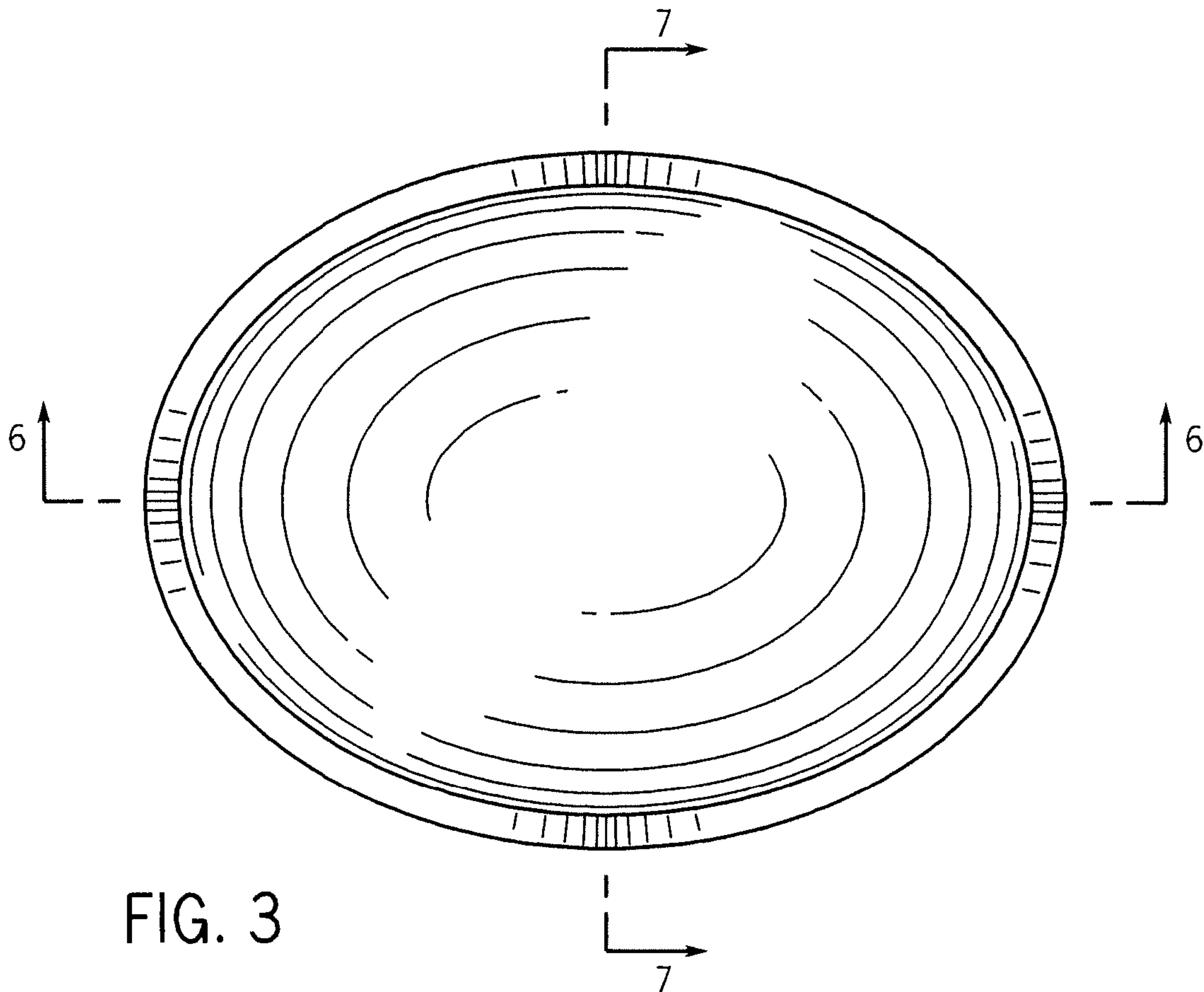


FIG. 3

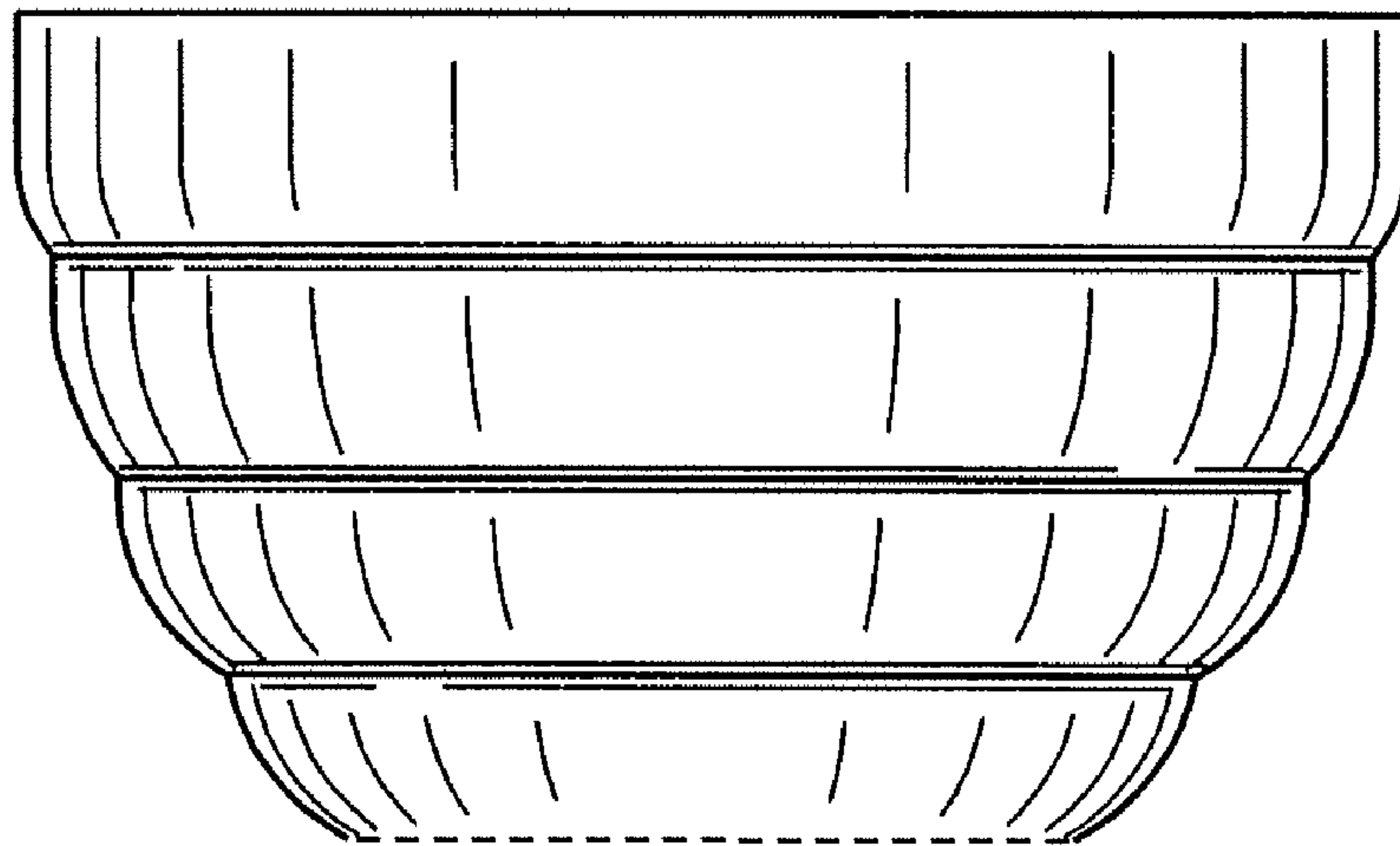


FIG. 4

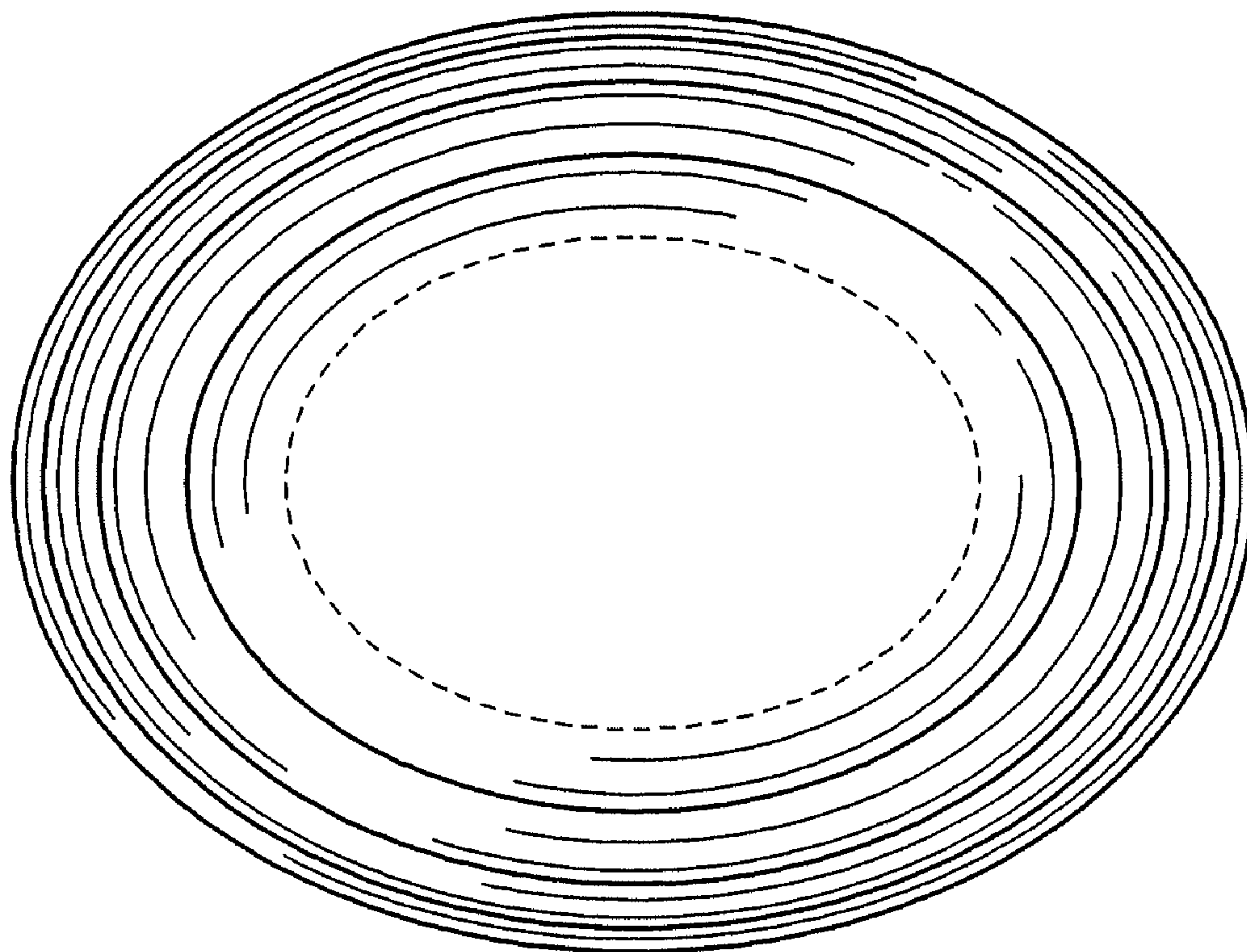


FIG. 5

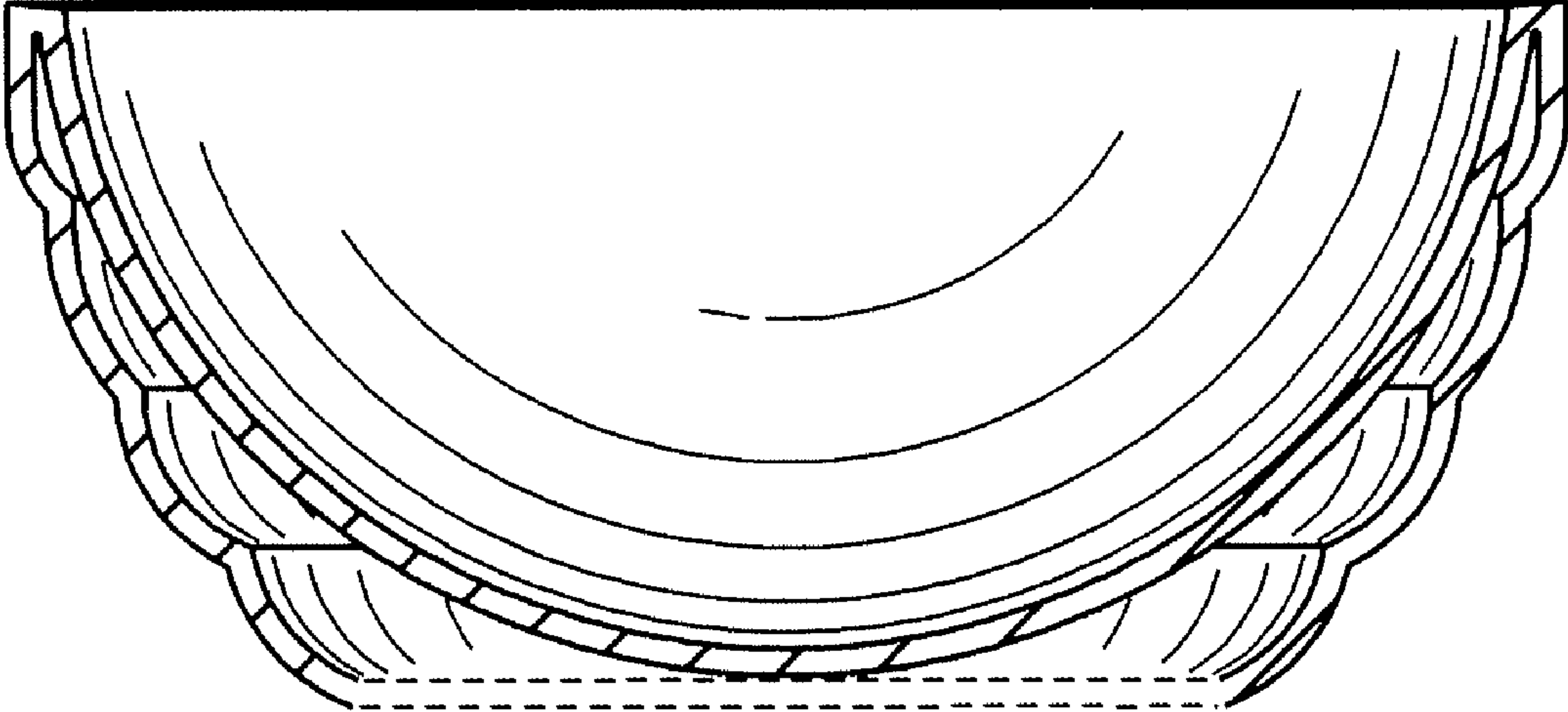


FIG. 6

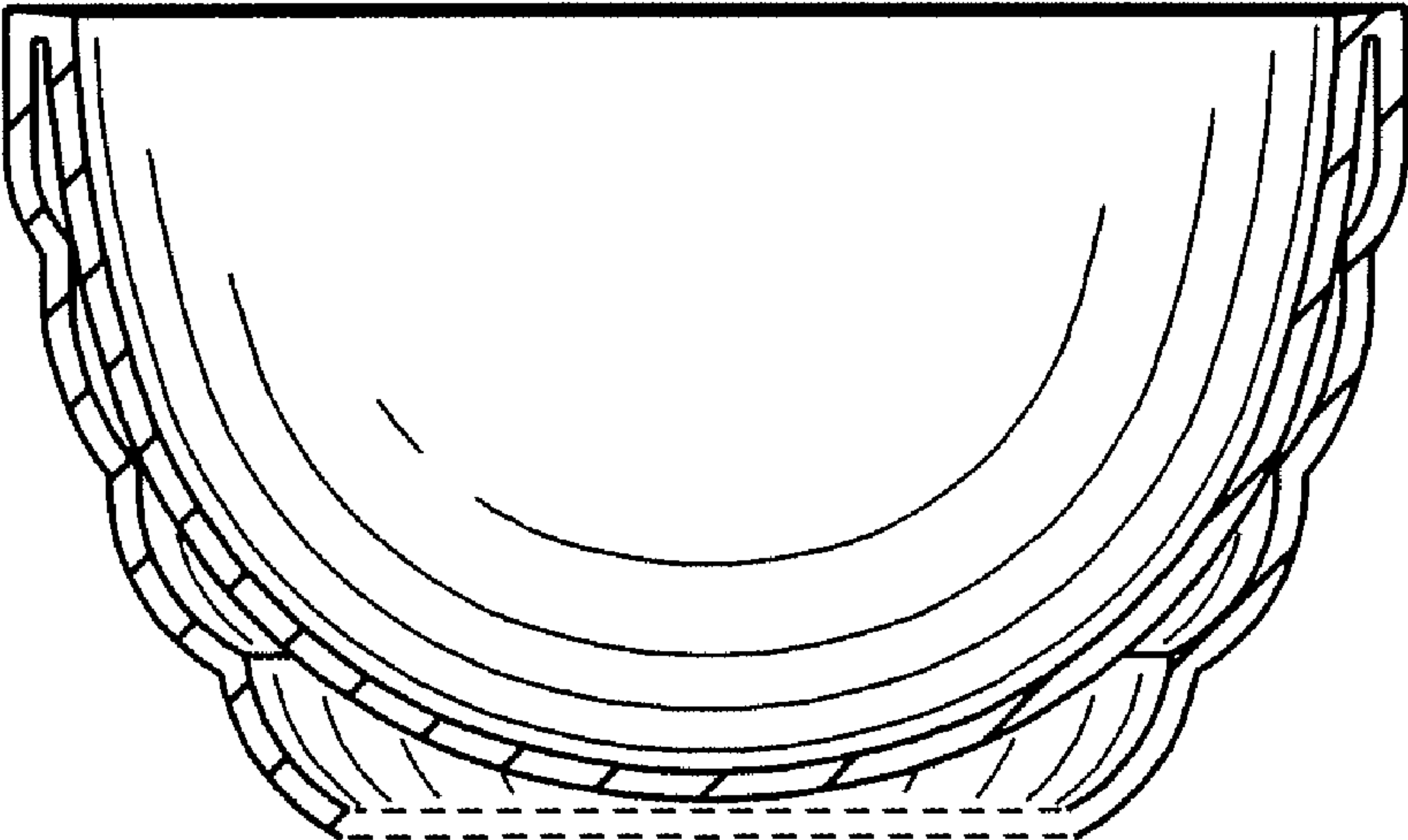


FIG. 7