

US00D568107S

(12) **United States Design Patent**  
**Bhavnani**

(10) **Patent No.:** **US D568,107 S**

(45) **Date of Patent:** **\*\* May 6, 2008**

(54) **TUMBLER MUG WITH FLASHLIGHT**

(75) Inventor: **Dilip Bhavnani**, Beverly Hills, CA  
(US)

(73) Assignee: **Sun Coast Merchandise Corporation**,  
Commerce, CA (US)

(\*\*) Term: **14 Years**

(21) Appl. No.: **29/250,066**

(22) Filed: **Oct. 31, 2006**

(51) **LOC (8) Cl.** ..... **07-01**

(52) **U.S. Cl.** ..... **D7/533; D7/509**

(58) **Field of Classification Search** ..... D7/500,  
D7/536, 509-511, 523, 584, 602, 507, 533,  
D7/532; D9/417, 430, 519, 522, 549; D11/152,  
D11/153; 215/387, DIG. 7; 206/217, 822;  
220/254.5, 703, 715, 592.16, 592.17; D34/1  
See application file for complete search history.

(56) **References Cited**

**U.S. PATENT DOCUMENTS**

- D398,815 S \* 9/1998 Hatsumoto et al. .... D7/533
- D424,878 S \* 5/2000 Freed ..... D7/533
- D434,275 S \* 11/2000 Ginuntoli et al. .... D7/533

- D479,671 S \* 9/2003 Gluck ..... D7/533
- D507,153 S \* 7/2005 Trombly ..... D7/536
- D517,370 S \* 3/2006 Kingsley ..... D7/532
- D556,515 S \* 12/2007 Trombly et al. .... D7/536
- 2006/0126431 A1 \* 6/2006 Bhavnani ..... 366/314

\* cited by examiner

*Primary Examiner*—Philip S. Hyder

*Assistant Examiner*—Cynthia Underwood

(74) *Attorney, Agent, or Firm*—The Soni Law Firm

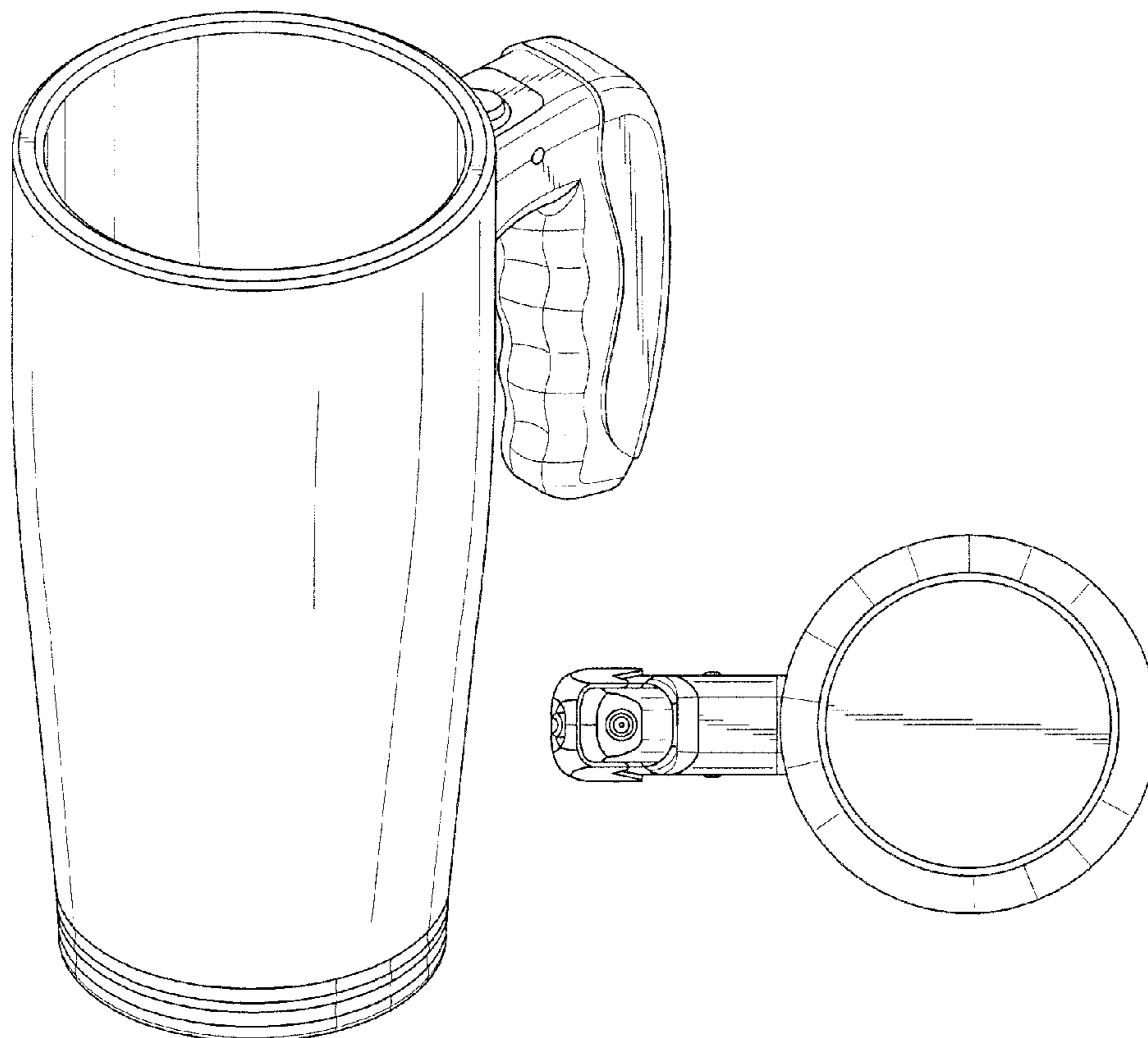
(57) **CLAIM**

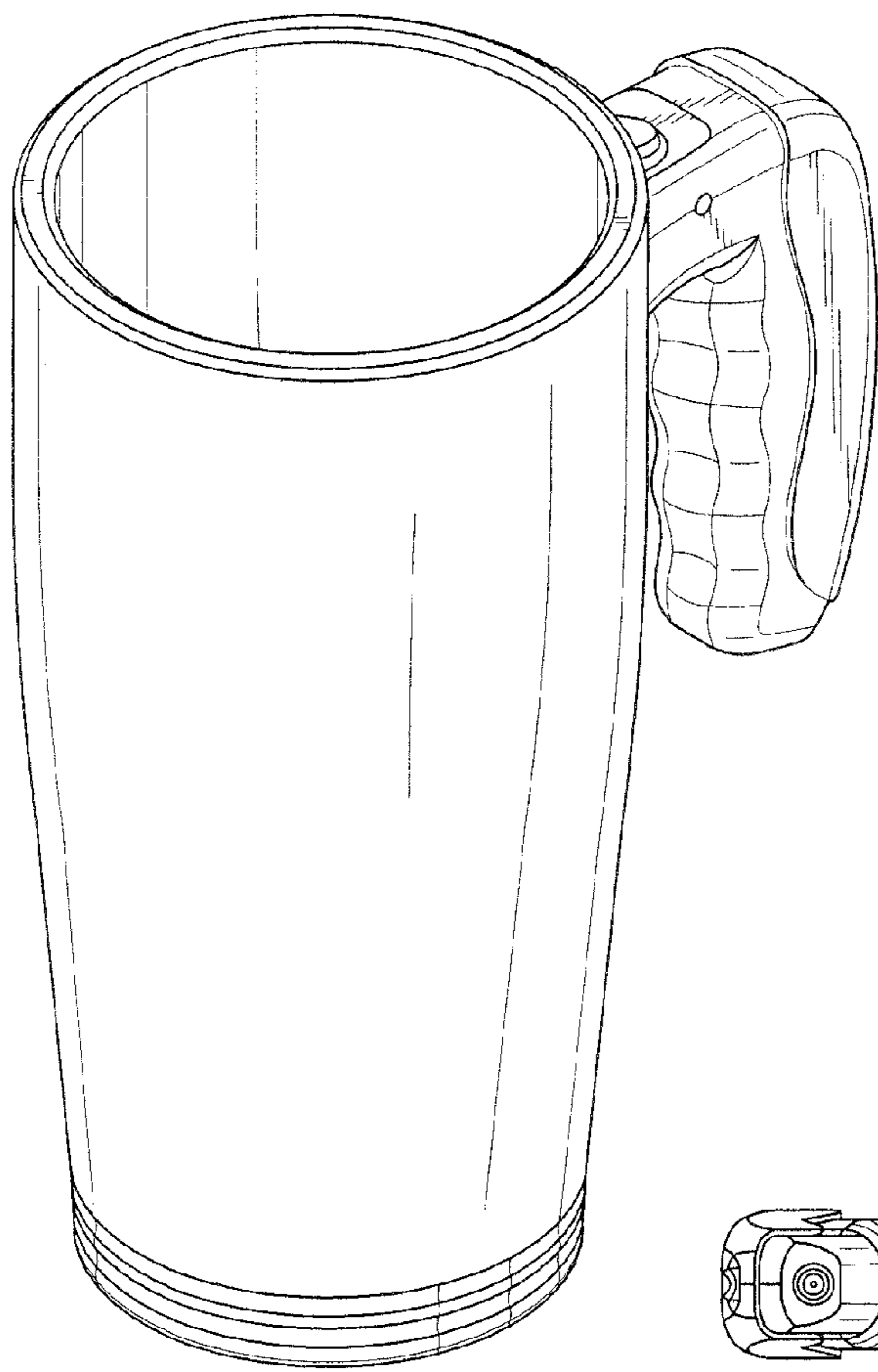
The ornamental design for a tumbler mug with flashlight, as shown and described.

**DESCRIPTION**

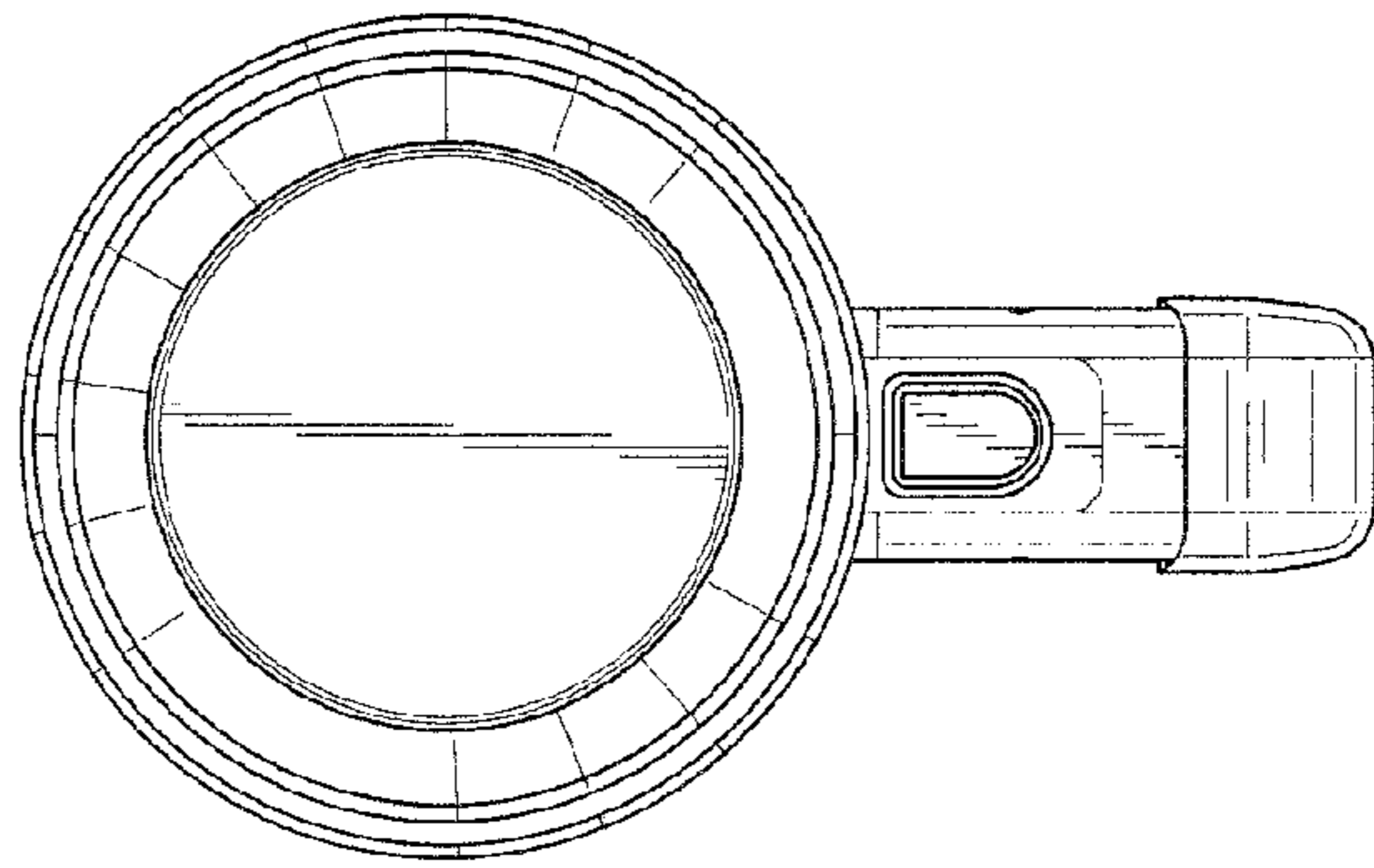
FIG. 1 is a front side top perspective view of my new design;  
 FIG. 2 is a right side elevational view thereof which is a mirror image of the left side thereof;  
 FIG. 3 is a front elevational view thereof;  
 FIG. 4 is top plan view thereof;  
 FIG. 5 is a back elevational view thereof; and,  
 FIG. 6 is a bottom plan view thereof.

**1 Claim, 2 Drawing Sheets**

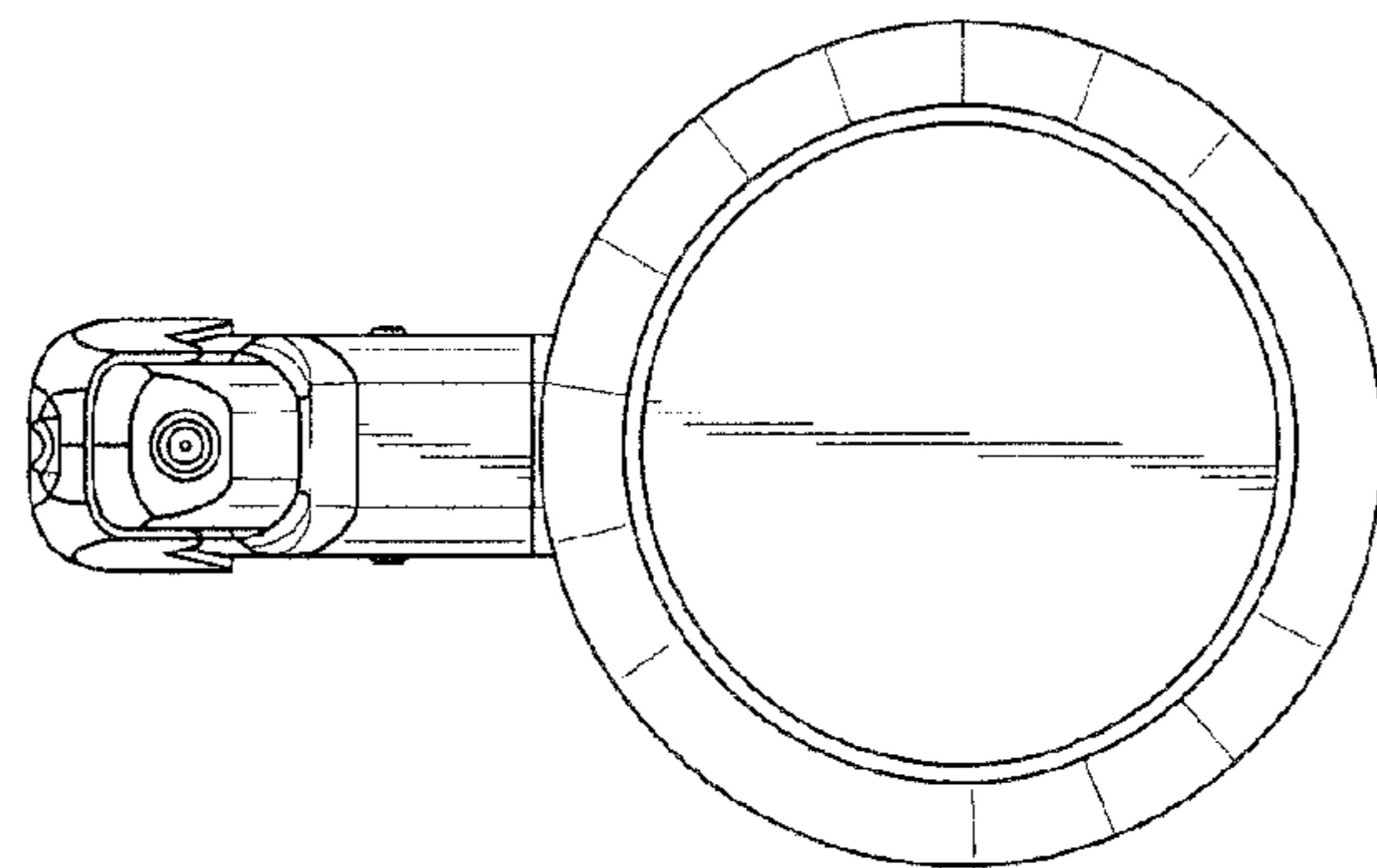




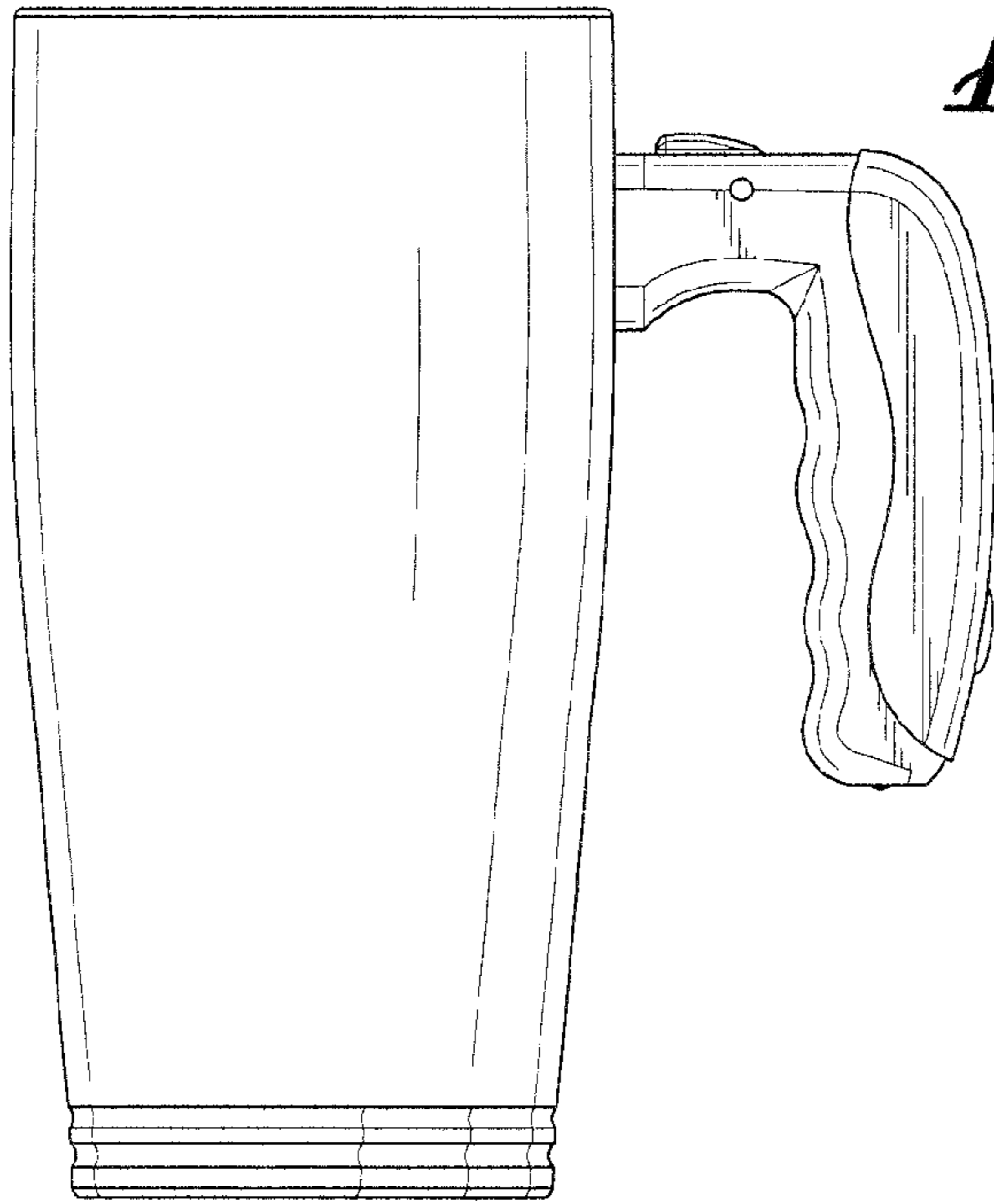
*FIG. 1*



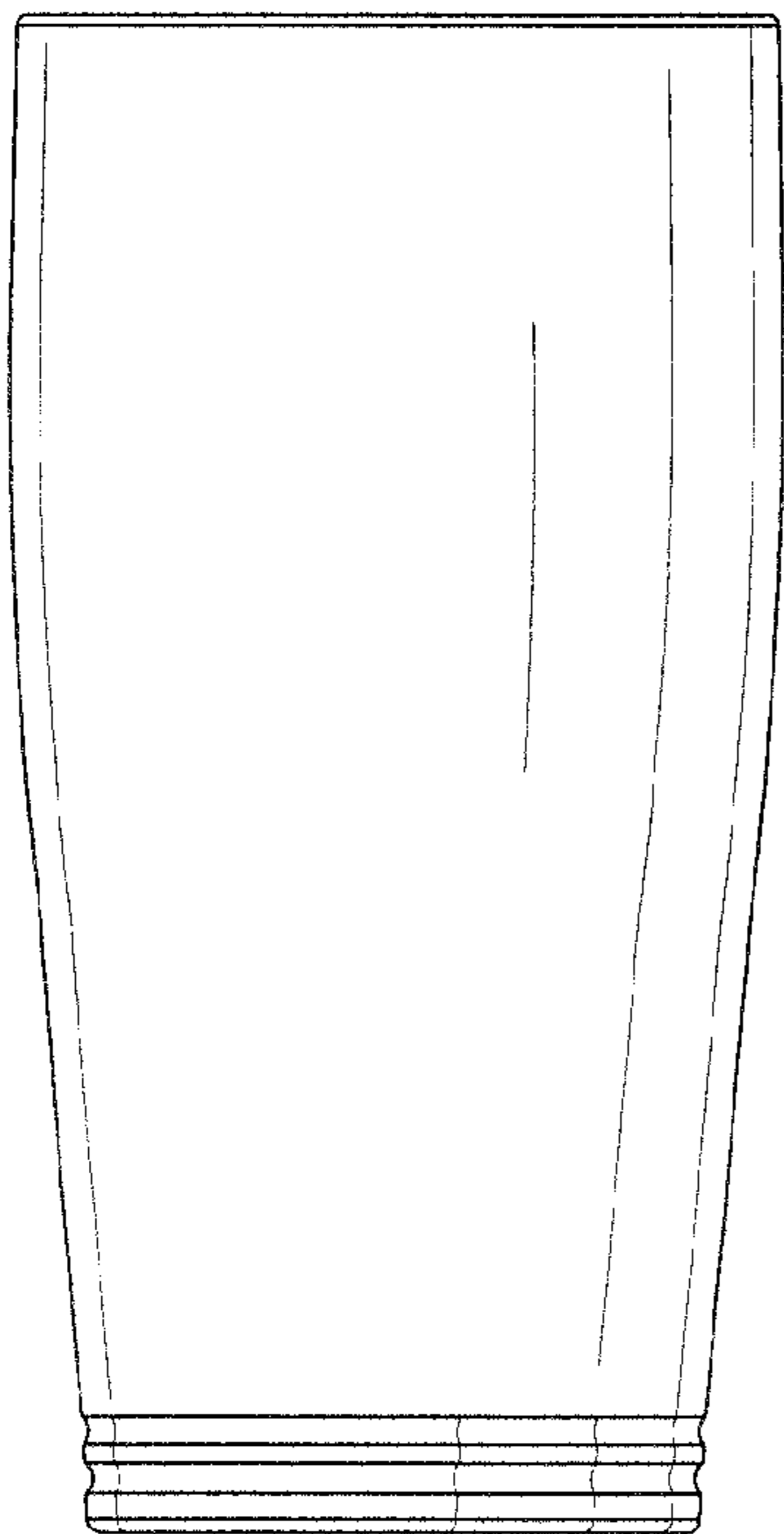
*FIG. 4*



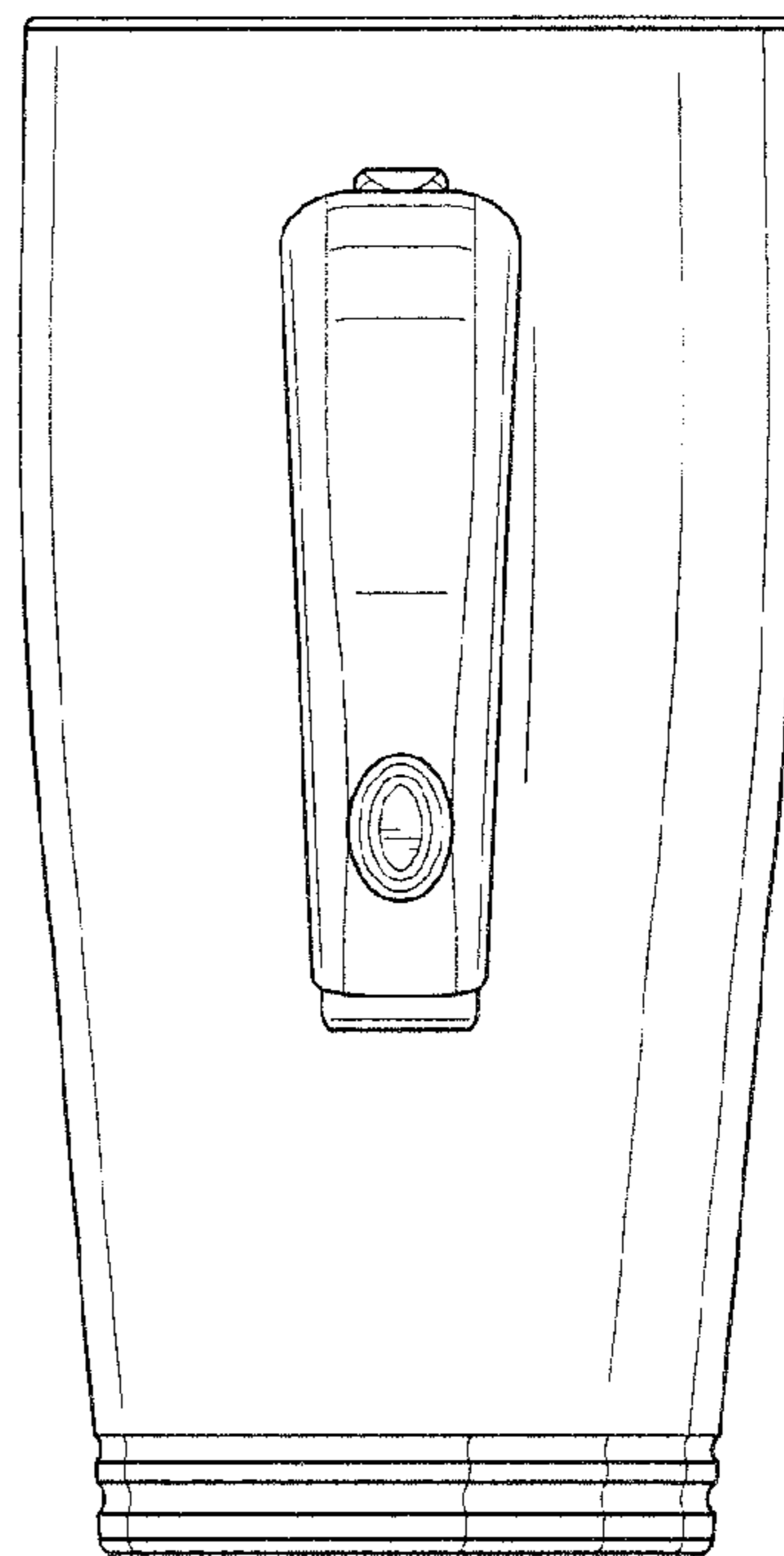
*FIG. 6*



*FIG. 2*



*FIG. 3*



*FIG. 5*