

US00D568105S

(12) **United States Design Patent**
Mansfield

(10) **Patent No.:** **US D568,105 S**

(45) **Date of Patent:** **** May 6, 2008**

(54) **DRINKING VESSEL**

(76) Inventor: **Bryan D Mansfield**, 9020 Ogleby
Creek Rd., Myakka City, FL (US)
34251

(**) Term: **14 Years**

(21) Appl. No.: **29/278,937**

(22) Filed: **Apr. 13, 2007**

Related U.S. Application Data

(63) Continuation-in-part of application No. 29/278,378,
filed on Mar. 27, 2007.

(51) **LOC (8) Cl.** **07-01**

(52) **U.S. Cl.** **D7/524; D7/509; D7/523**

(58) **Field of Classification Search** D7/392-394,
D7/509-511, 515, 522-524, 528, 529, 531-533,
D7/536, 537, 540, 542, 901; 215/10, 365,
215/376, 377, 382, 384, 387, 392, 394, DIG. 7;
220/62.12, 560, 568, 592.17, 607, 608, 623,
220/659, 662, 669, 710; D24/116; D26/2,
D26/3, 4, 42, 313, 315; 73/863.32, 863.58,
73/864, 864.01, 864.03; 206/298
See application file for complete search history.

(56) **References Cited**

U.S. PATENT DOCUMENTS

398,396 A * 2/1889 Holden 73/864
632,321 A * 9/1899 Olney 211/74

(Continued)

FOREIGN PATENT DOCUMENTS

EM 000115787-0009 * 12/2003

(Continued)

OTHER PUBLICATIONS

Kempston Cone-Beaker, 5-6th c., History of Glass, Klein and
Lloyd, Orbis and Black Cat Publishing, 1984, 1992, p. 41.*

(Continued)

Primary Examiner—T. Chase Nelson

Assistant Examiner—Karen Acker

(74) *Attorney, Agent, or Firm*—Mark Douma

(57) **CLAIM**

I claim the ornamental design for a drinking vessel, as
shown and described.

DESCRIPTION

FIG. 1 is a top and side perspective view showing my new
design;

FIG. 2 is a side elevation view thereof, wherein the position
of the top portion is on a flat side, all three other views
showing a flat side are the same;

FIG. 3 is a side elevation view thereof, wherein the position
of the top portion is on a corner, all three other views
showing a corner are the same;

FIG. 4 is a top plan view thereof;

FIG. 5 is a bottom plan view thereof;

FIG. 6 is a vertical longitudinal sectional view along line
6—6 of FIG. 4;

FIG. 7 is a top and side perspective view of a second
embodiment showing my new design;

FIG. 8 is a side elevation view thereof, wherein the position
of the top portion is on a flat side, all three other views
showing a flat side are the same;

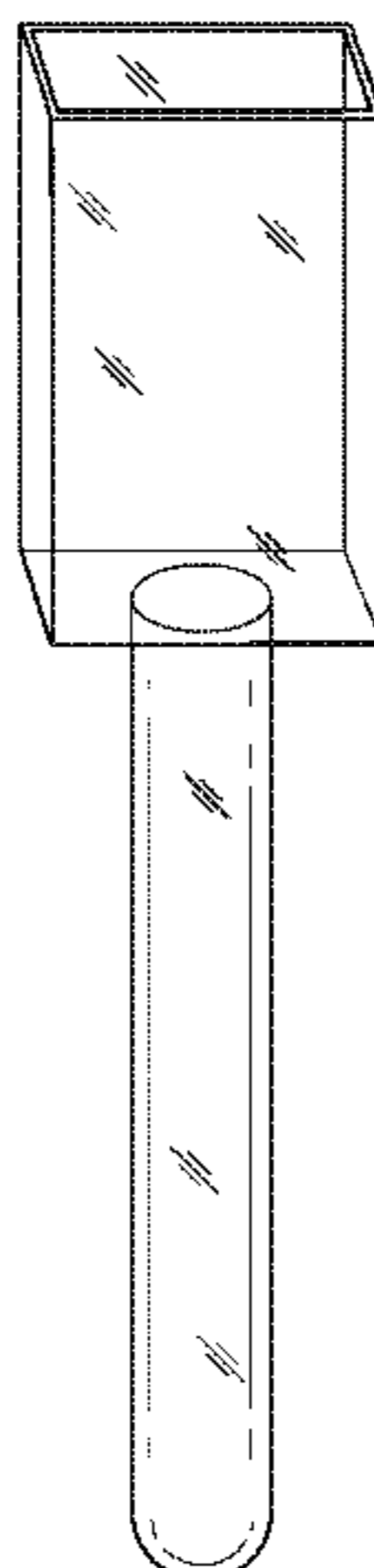
FIG. 9 is a side elevation view thereof, wherein the position
of the top portion is on a corner, all three other views
showing a corner are the same;

FIG. 10 is a top plan view thereof;

FIG. 11 is a bottom plan view thereof; and,

FIG. 12 is a vertical longitudinal sectional view along line
12—12 of FIG. 10.

1 Claim, 8 Drawing Sheets



US D568,105 S

U.S. PATENT DOCUMENTS

D46,619 S 11/1914 Fisher
 1,140,822 A * 5/1915 Hirshfeld 312/42
 D47,721 S 8/1915 Haley
 D70,754 S 8/1926 Heisey
 D90,928 S 10/1933 Rosenmerkle
 D91,407 S * 1/1934 Kantor D7/524
 D91,409 S * 1/1934 Kantor D7/524
 D93,871 S 11/1934 Griffin
 2,097,571 A * 11/1937 Moran 285/374
 D113,230 S 2/1939 Karstdat
 2,383,941 A * 9/1945 Otis 40/406
 2,423,173 A * 7/1947 Brady et al. 73/864.02
 D161,115 S 12/1950 Meier
 D167,819 S * 9/1952 Yanks et al. D26/2
 D167,930 S * 10/1952 Dribnack D26/60
 D168,409 S 12/1952 Kell
 2,720,307 A * 10/1955 Morgan 206/457
 2,809,773 A * 10/1957 Bender 73/864.03
 D183,820 S * 10/1958 Yohe D24/112
 D198,139 S 5/1964 Edwards
 3,177,617 A * 4/1965 Koistinen 47/41.11
 3,339,605 A * 9/1967 Ignell 220/212.5
 3,355,950 A * 12/1967 Harris, Sr. 73/864.01
 3,423,008 A * 1/1969 Mykleby 229/110
 D215,226 S * 9/1969 Benes D7/524
 D217,001 S 3/1970 Stone
 3,499,569 A * 3/1970 Wentzel 215/374
 D219,789 S * 1/1971 Quistgaard D7/524
 D222,646 S * 11/1971 Clark, Jr. D26/2
 D224,035 S * 6/1972 Douglas D7/524
 D225,523 S 12/1972 Nunn
 D225,535 S * 12/1972 Watanabe D26/2
 D226,663 S * 4/1973 Watanabe D26/2
 D230,552 S * 3/1974 Bengert D7/524
 3,850,290 A * 11/1974 Murphy 206/457
 3,864,979 A * 2/1975 Ayres 73/864.02
 D234,448 S * 3/1975 Achenbach D7/524
 3,935,946 A * 2/1976 Bengert 206/516
 D239,151 S * 3/1976 Lundin D7/523
 D240,284 S * 6/1976 Sarpaneva D7/523
 D240,286 S 6/1976 Sarpaneva
 4,021,124 A * 5/1977 Sarstedt 356/246
 4,037,464 A * 7/1977 Wenander 73/61.65
 4,044,889 A * 8/1977 Orentreich et al. 206/459.5
 D248,004 S 5/1978 Simpson
 D253,872 S * 1/1980 Reynolds D9/428
 D254,946 S * 5/1980 Tayebi D7/528
 D257,394 S * 10/1980 Reichler D24/117
 D258,144 S * 2/1981 Kallet et al. D24/224
 D260,470 S * 9/1981 Angelakos D7/507
 D263,544 S 3/1982 Vennola
 D265,536 S * 7/1982 Turcotte, Jr. D7/523
 D266,025 S * 8/1982 Polhemus et al. D26/2
 4,436,631 A * 3/1984 Graham et al. 210/772
 D285,999 S * 10/1986 Ludwick et al. D7/523
 D286,072 S * 10/1986 Miller D24/224
 D286,604 S * 11/1986 Bierlein et al. D7/523
 D287,204 S * 12/1986 Bierlein et al. D7/523
 D287,885 S * 1/1987 Bolduc D26/11
 D289,356 S * 4/1987 Tanaka D7/523
 D299,271 S * 1/1989 Christensen D24/112
 D300,561 S * 4/1989 Asa et al. D24/112
 D302,225 S 7/1989 Shapard
 4,988,011 A * 1/1991 Fenton et al. 220/88.1
 4,991,734 A * 2/1991 Nilsson et al. 220/604
 D318,728 S * 7/1991 Braune D24/224
 5,073,347 A * 12/1991 Garren et al. 422/100
 5,078,970 A * 1/1992 Teodorescu et al. 422/100
 5,081,872 A * 1/1992 Greter 73/864.74
 5,098,663 A 3/1992 Berthold et al.
 D325,444 S * 4/1992 Murashita et al. D24/224

5,181,670 A * 1/1993 Eaton et al. 242/388.1
 D334,058 S * 3/1993 Noble D24/116
 D334,321 S 3/1993 Falzorano
 D340,838 S 11/1993 Lingo
 5,257,633 A * 11/1993 Vogler et al. 600/576
 D346,455 S * 4/1994 Mayr D26/2
 5,393,494 A * 2/1995 Greenfield et al. 422/68.1
 D356,232 S * 3/1995 Armstrong et al. D7/513
 D358,080 S 5/1995 Handler
 5,445,315 A * 8/1995 Shelby 229/117.06
 D365,146 S * 12/1995 Olson D24/108
 D386,260 S * 11/1997 Polaniec D24/112
 D397,226 S * 8/1998 Kelly et al. D24/224
 5,813,565 A * 9/1998 Huot 220/619
 D400,051 S 10/1998 Miyagi
 D401,698 S * 11/1998 Daniels D24/222
 D408,685 S * 4/1999 Lage et al. D7/523
 D417,820 S 12/1999 Pelz et al.
 D418,015 S 12/1999 Santini
 D418,370 S 1/2000 Wilson
 D425,618 S * 5/2000 Niermann et al. D24/122
 D431,418 S 10/2000 Moran
 D435,194 S * 12/2000 Betras D7/511
 6,203,870 B1 * 3/2001 Darr 428/35.7
 D449,962 S 11/2001 Harrison et al.
 D453,572 S * 2/2002 Livecchi D24/224
 D454,201 S * 3/2002 Harrop D24/224
 D461,905 S * 8/2002 Wei D24/224
 D474,648 S 5/2003 Dimeo
 6,585,127 B2 * 7/2003 Yang 220/23.86
 6,641,881 B1 * 11/2003 Darr 428/35.7
 D485,869 S * 1/2004 Miletich D21/399
 D491,020 S 6/2004 Gluck
 D493,004 S * 7/2004 Hoshikawa et al. D26/3
 D500,152 S * 12/2004 Stekelenburg D26/26
 D515,359 S 2/2006 Andrews
 D515,723 S * 2/2006 Chen D26/67
 D527,223 S 8/2006 Thun
 D533,404 S * 12/2006 Mansfield D7/513
 D534,768 S * 1/2007 Mansfield D7/513
 D535,559 S 1/2007 Kehoe
 D540,380 S * 4/2007 Hoshiya et al. D18/56
 D543,783 S * 6/2007 Goldberg D7/523
 D545,448 S * 6/2007 Eriksson et al. D24/224
 2001/0032520 A1 * 10/2001 Smith 73/864.34
 2002/0102184 A1 * 8/2002 Co 422/100
 2004/0123680 A1 * 7/2004 Judic 73/864.01

FOREIGN PATENT DOCUMENTS

EM 000236195-0004 * 10/2004
 EM 000236195-0005 * 10/2004
 EM 000545066-0003 * 6/2006
 EM 000545066-0004 * 6/2006
 EM 000545066-0006 * 6/2006
 EM 000545066-0007 * 6/2006

OTHER PUBLICATIONS

Lake Charles Manufacturing, Lake Charles, Louisiana, Shot Wizard Datasheet [online] [retrieved Mar. 29, 2007] 1 page, Retrieved from the Internet, <URL <http://www.shotwizard.com/PhotoGallery.asp?ProductCode=207%2D0013W>>.
 Bar Products.com Inc., Largo, Florida, Tube SHOTZ(R) Datasheet [online] [retrieved Mar. 29, 2007] 1 page, Retrieved from the Internet, <URL <http://www.barproducts.com/media/5901b.html>>.

* cited by examiner

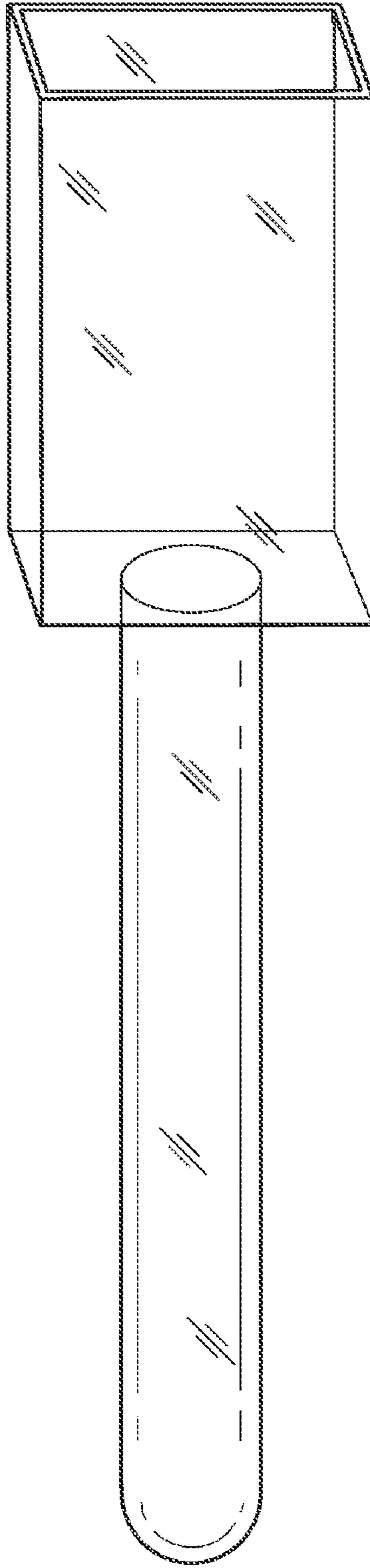


FIG. 1

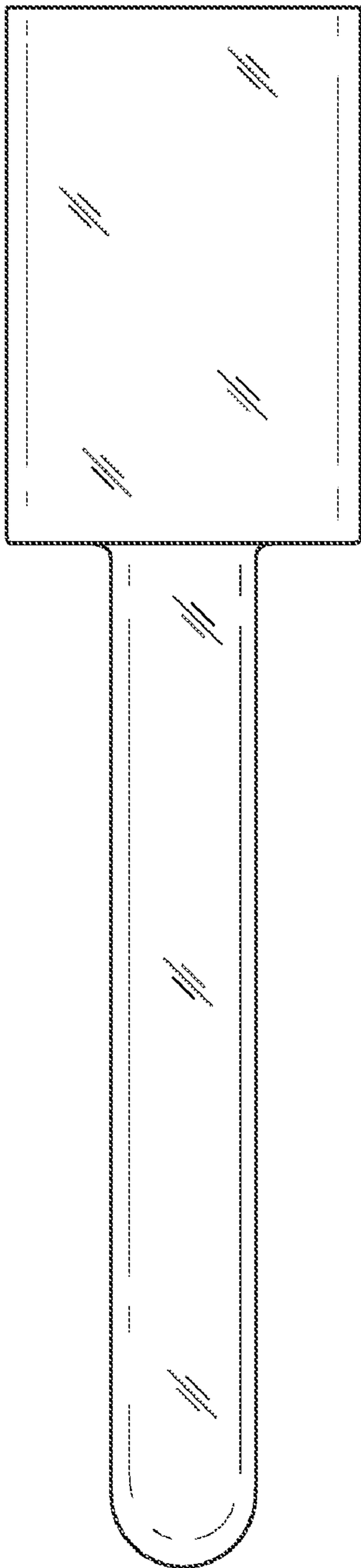


FIG. 2

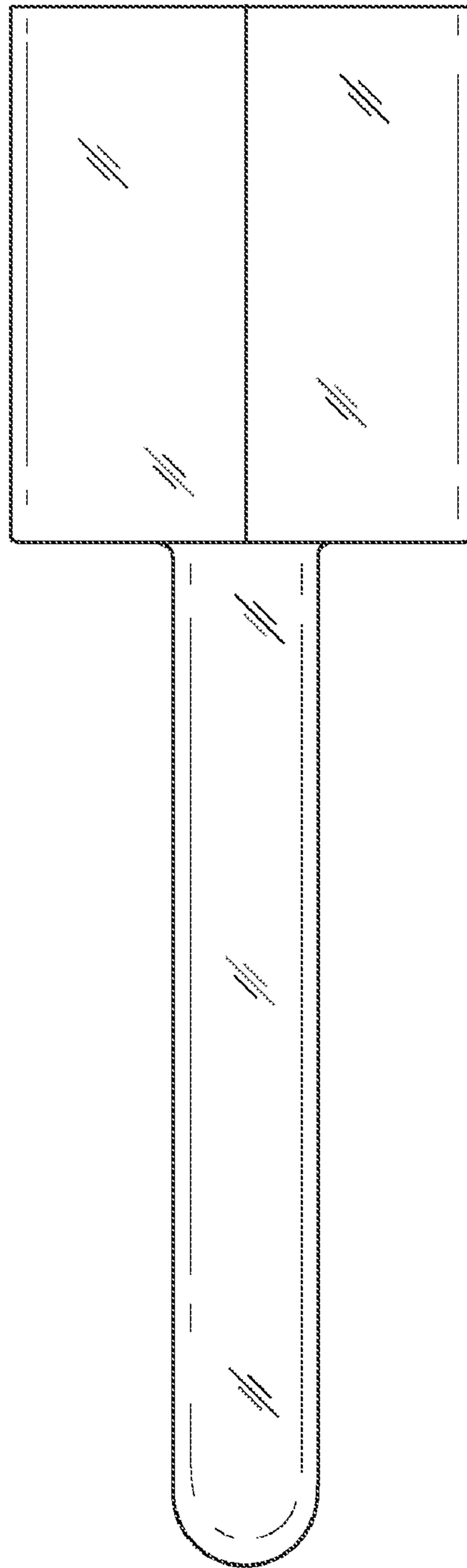


FIG. 3

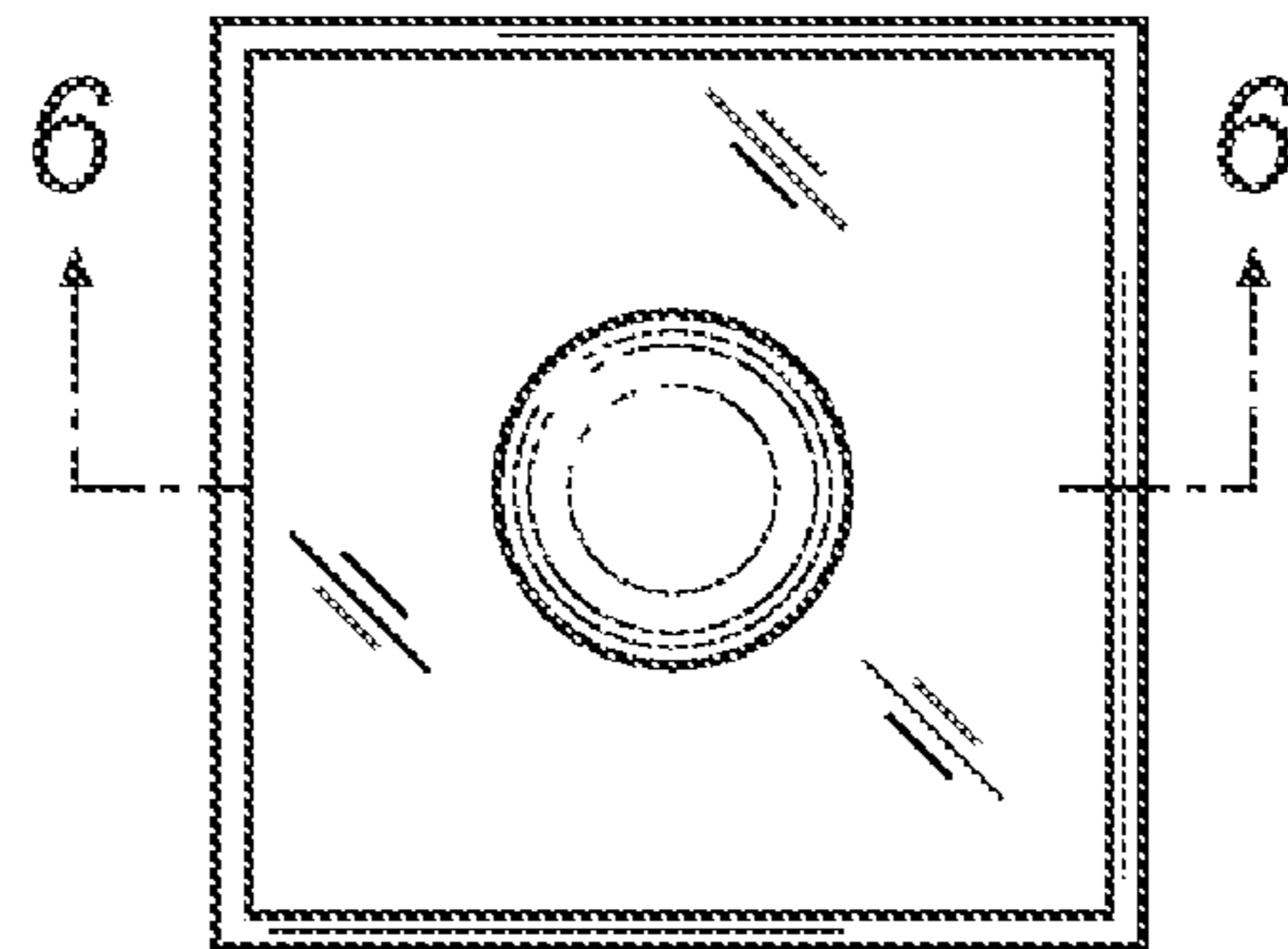


FIG. 4

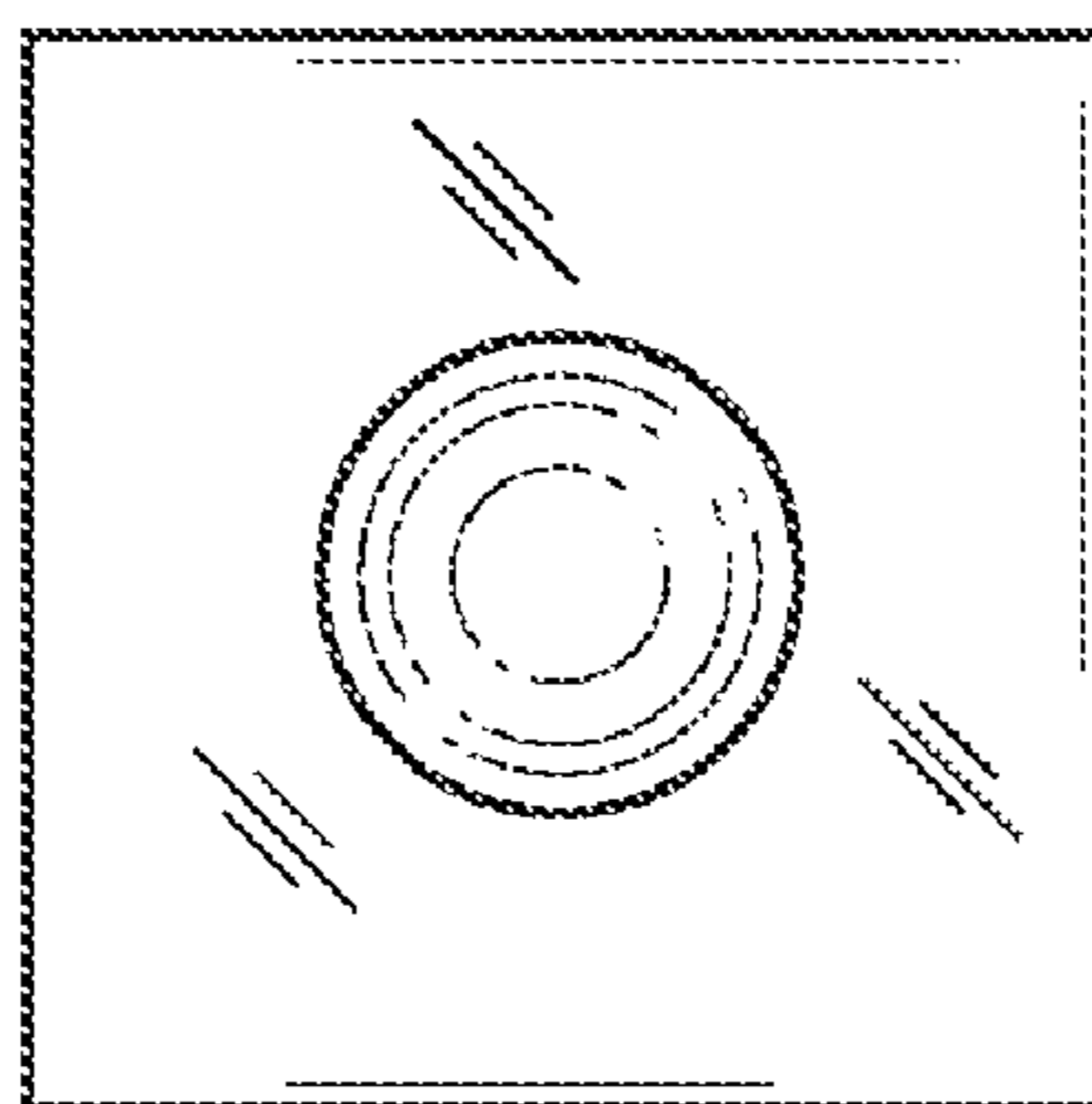


FIG. 5

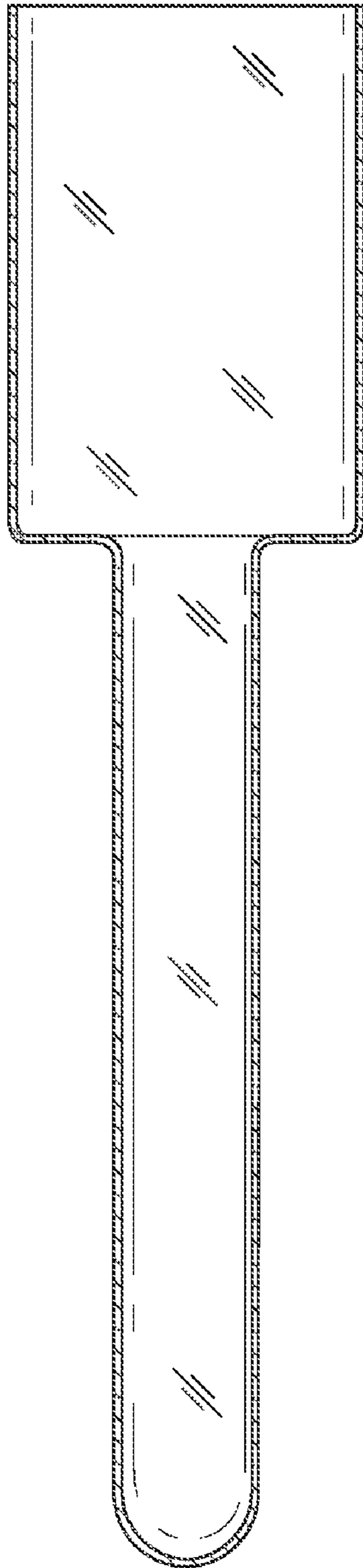


FIG. 6

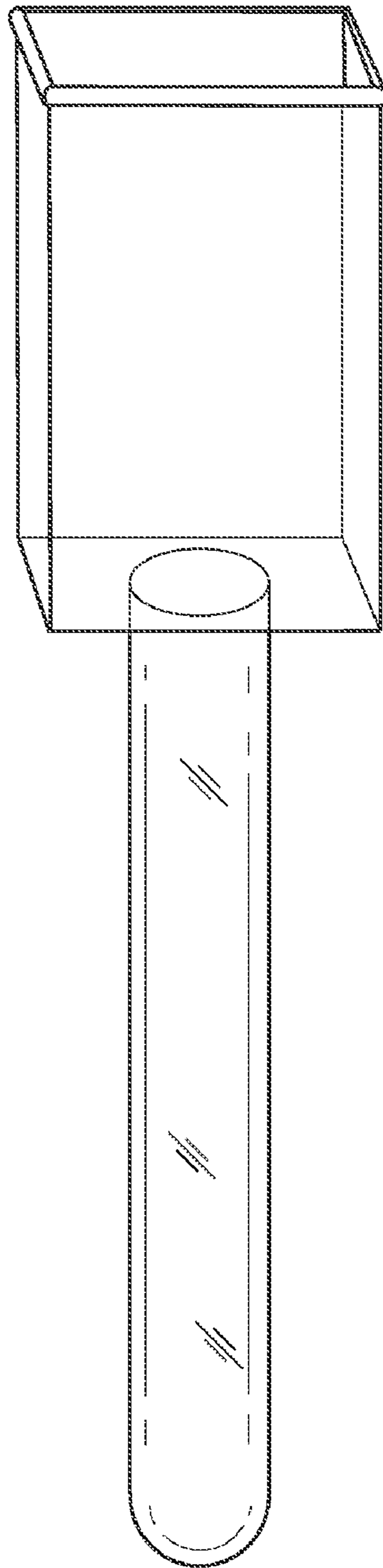


FIG. 7

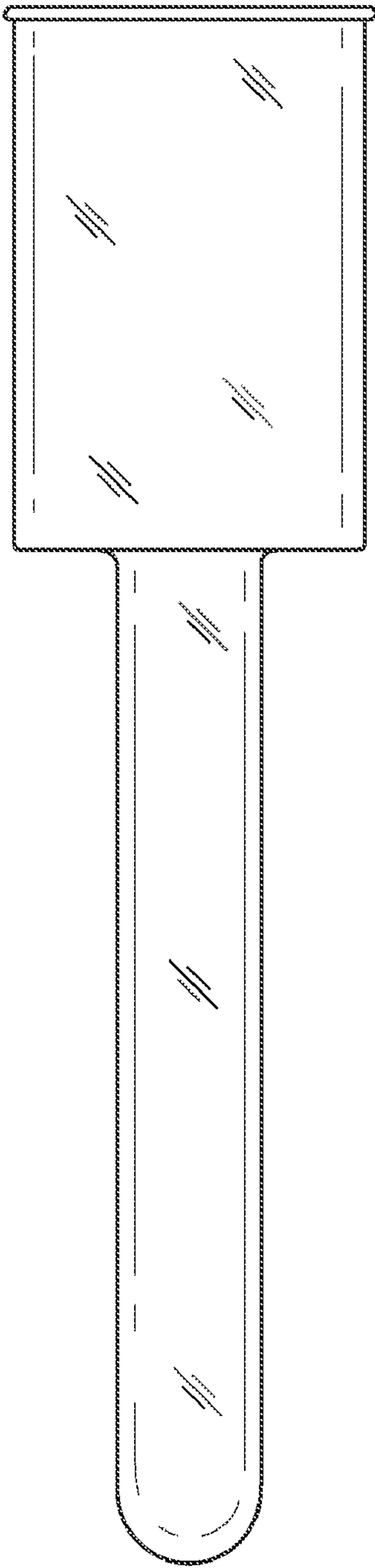


FIG. 8

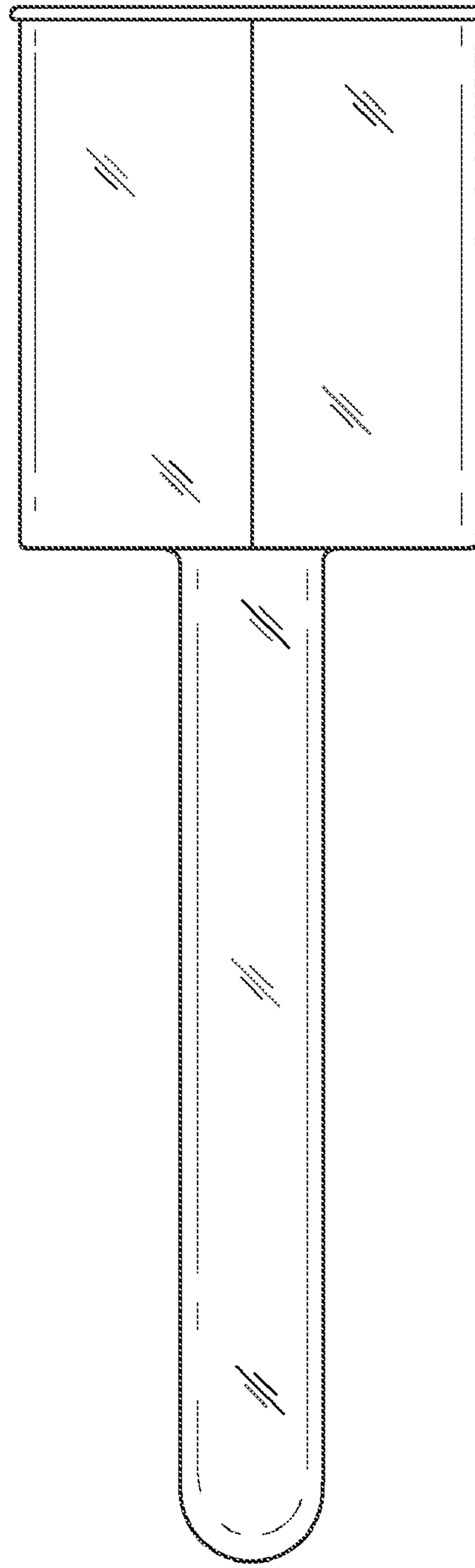


FIG. 9

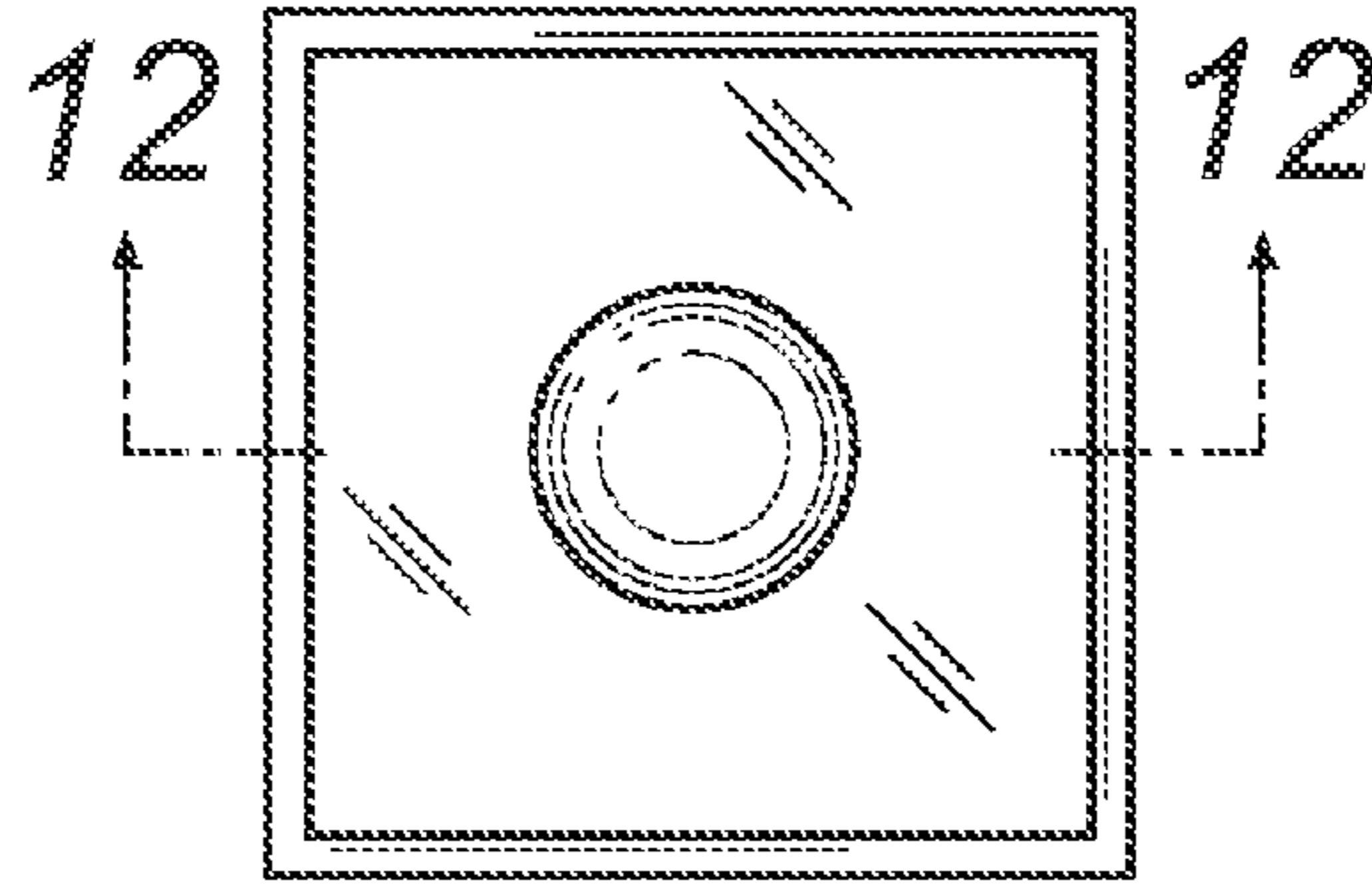


FIG. 10

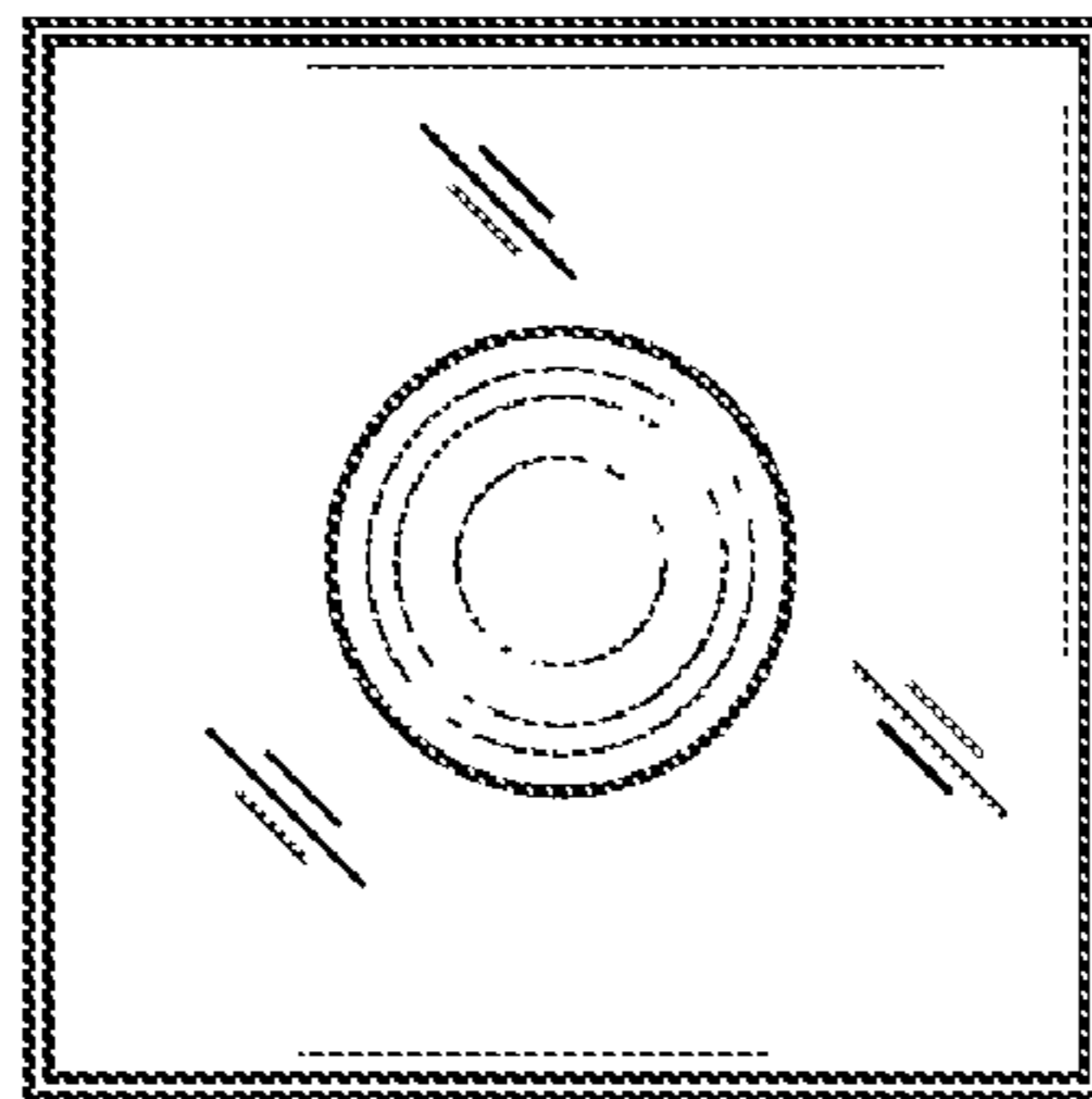


FIG. 11

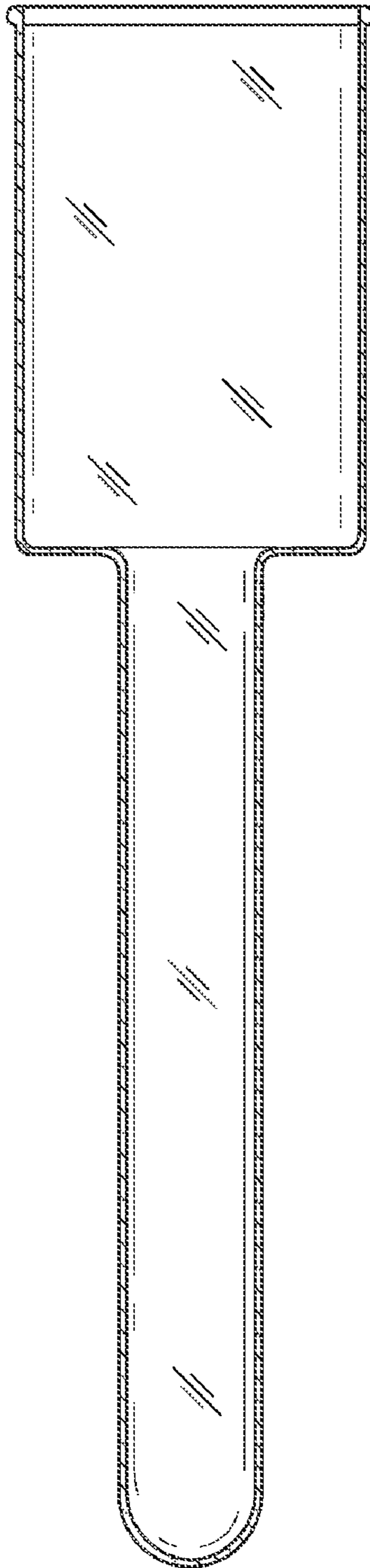


FIG. 12