



US00D568104S

(12) **United States Design Patent**
Bhavnani

(10) **Patent No.:** **US D568,104 S**

(45) **Date of Patent:** **** May 6, 2008**

(54) **MUG**

(75) Inventor: **Dilip Bhavnani**, Beverly Hills, CA
(US)

(73) Assignee: **Sun Coast Merchandise Corporation**,
Commerce, CA (US)

(**) Term: **14 Years**

(21) Appl. No.: **29/295,640**

(22) Filed: **Oct. 2, 2007**

Related U.S. Application Data

(63) Continuation-in-part of application No. 29/231,443,
filed on Jun. 2, 2005, now Pat. No. Des. 558,523.

(51) **LOC (8) Cl.** **07-01**

(52) **U.S. Cl.** **D7/523; D7/509**

(58) **Field of Classification Search** D7/500,
D7/536, 509-511, 523, 584, 602, 507, 533,
D7/532, 513; D9/417, 430, 519, 522, 549;
D11/152, 153; 215/387, DIG. 7; 206/217,
206/822; 220/254.5, 703, 715, 592.16, 592.17;
D34/1

See application file for complete search history.

(56) **References Cited**

U.S. PATENT DOCUMENTS

D399,392 S * 10/1998 Husted D7/511
D423,877 S * 5/2000 Kerr D7/509
D424,378 S * 5/2000 Bacon et al. D7/602

D441,609 S * 5/2001 Hsu D7/531
D442,861 S * 5/2001 Sagel D9/430
D449,524 S * 10/2001 Kieras D9/559
D472,152 S * 3/2003 Joubert D9/529
D475,287 S * 6/2003 Bomer D9/417
D498,979 S * 11/2004 Bhavnani D7/510
D533,402 S * 12/2006 Bin D7/510
D540,620 S * 4/2007 Bushkovsky D7/509
2006/0124651 A1 * 6/2006 Bhavnani 220/592.17

* cited by examiner

Primary Examiner—Philip S. Hyder

Assistant Examiner—Cynthia Underwood

(74) *Attorney, Agent, or Firm*—The Soni Law Firm

(57) **CLAIM**

The ornamental design for a mug, as shown and described.

DESCRIPTION

FIG. 1 is a front perspective view of the mug showing my new design;

FIG. 2 is a front elevational view thereof;

FIG. 3 is a side view thereof;

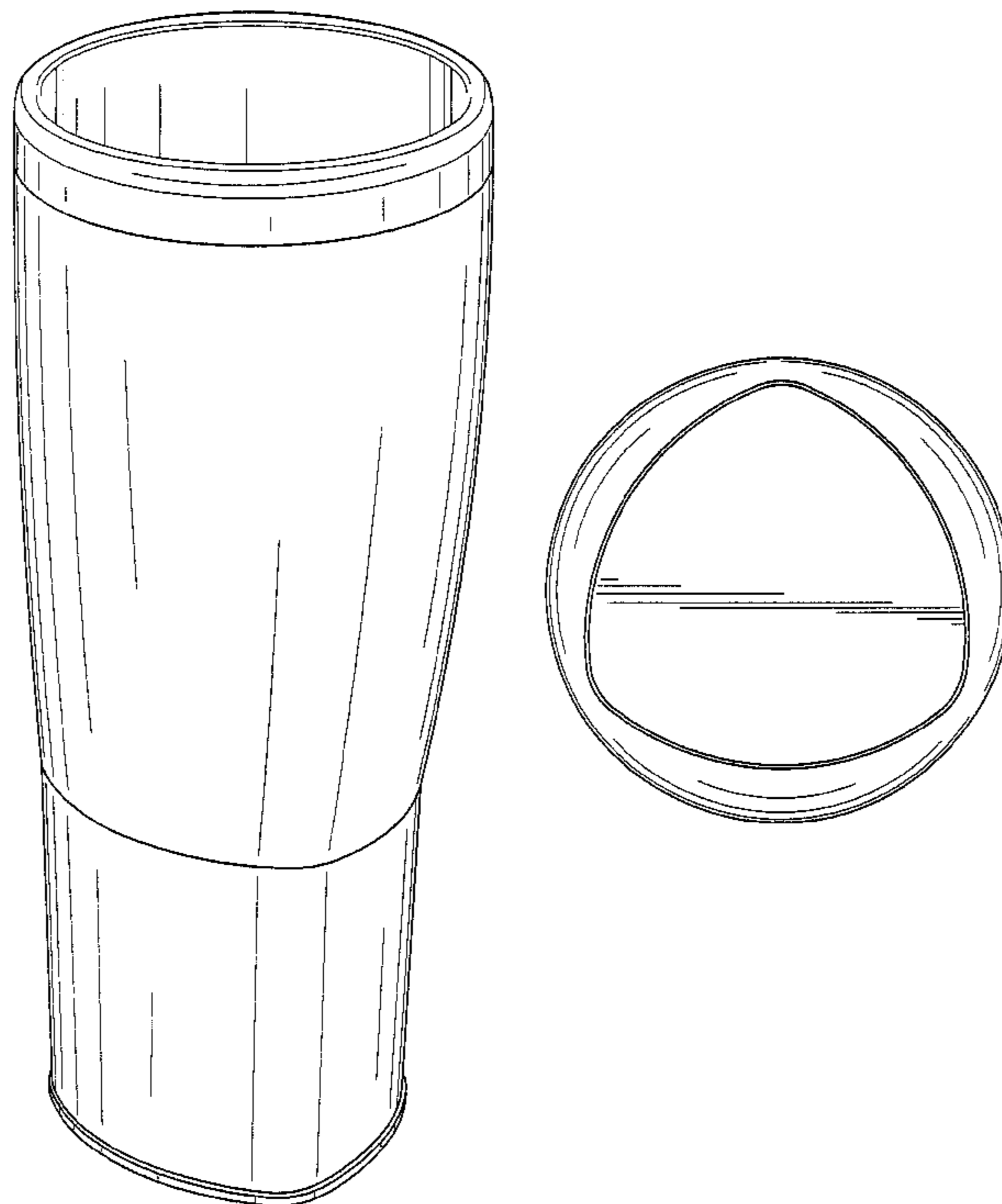
FIG. 4 is a rear view thereof;

FIG. 5 is a top plan view thereof; and,

FIG. 6 is a bottom plan view thereof.

The broken lines depicting environmental structure are for illustrative purposes only and form no part of the claimed design.

1 Claim, 3 Drawing Sheets



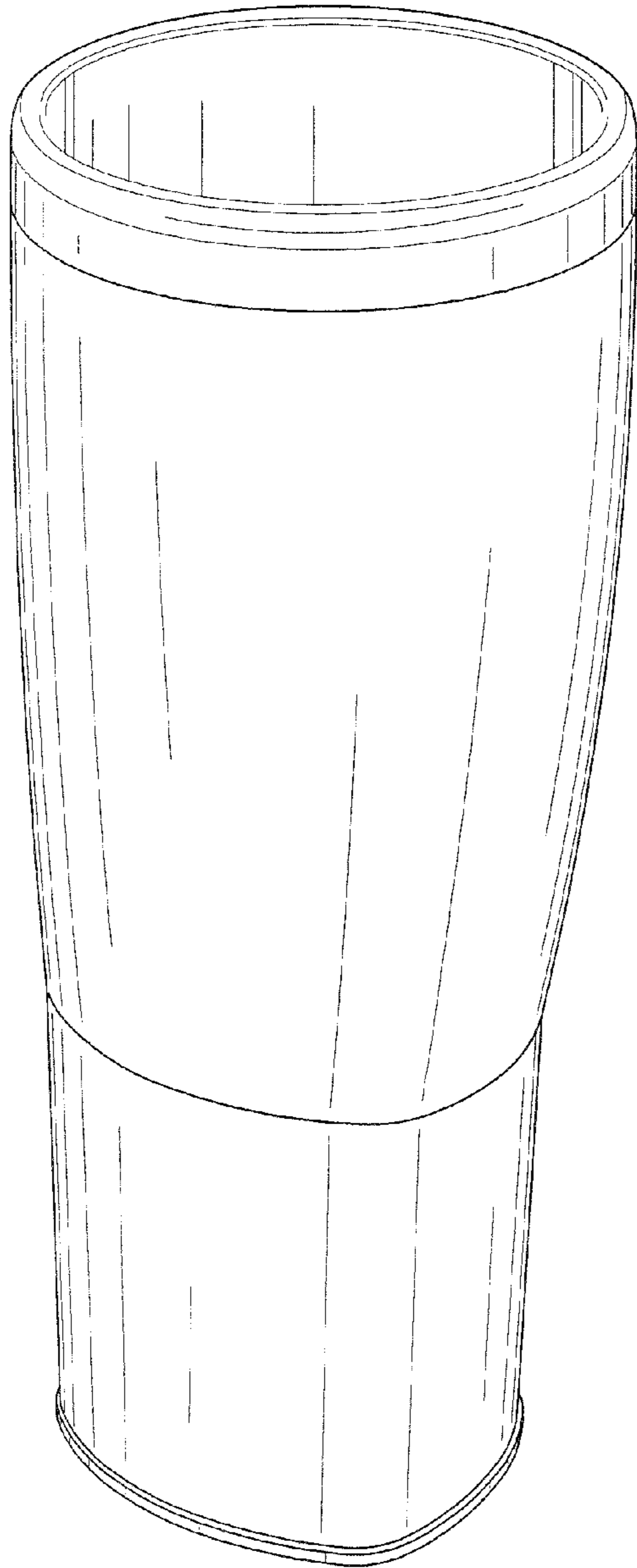


FIG. 1

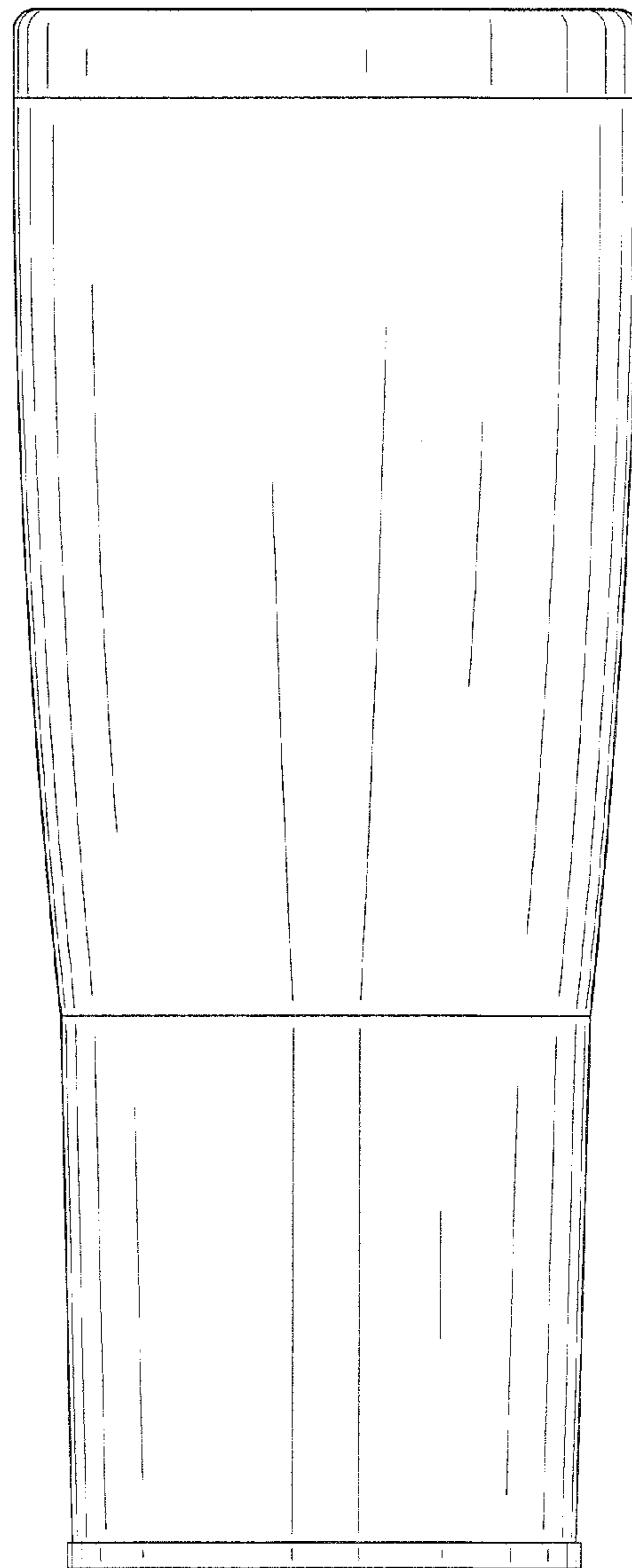


FIG. 2

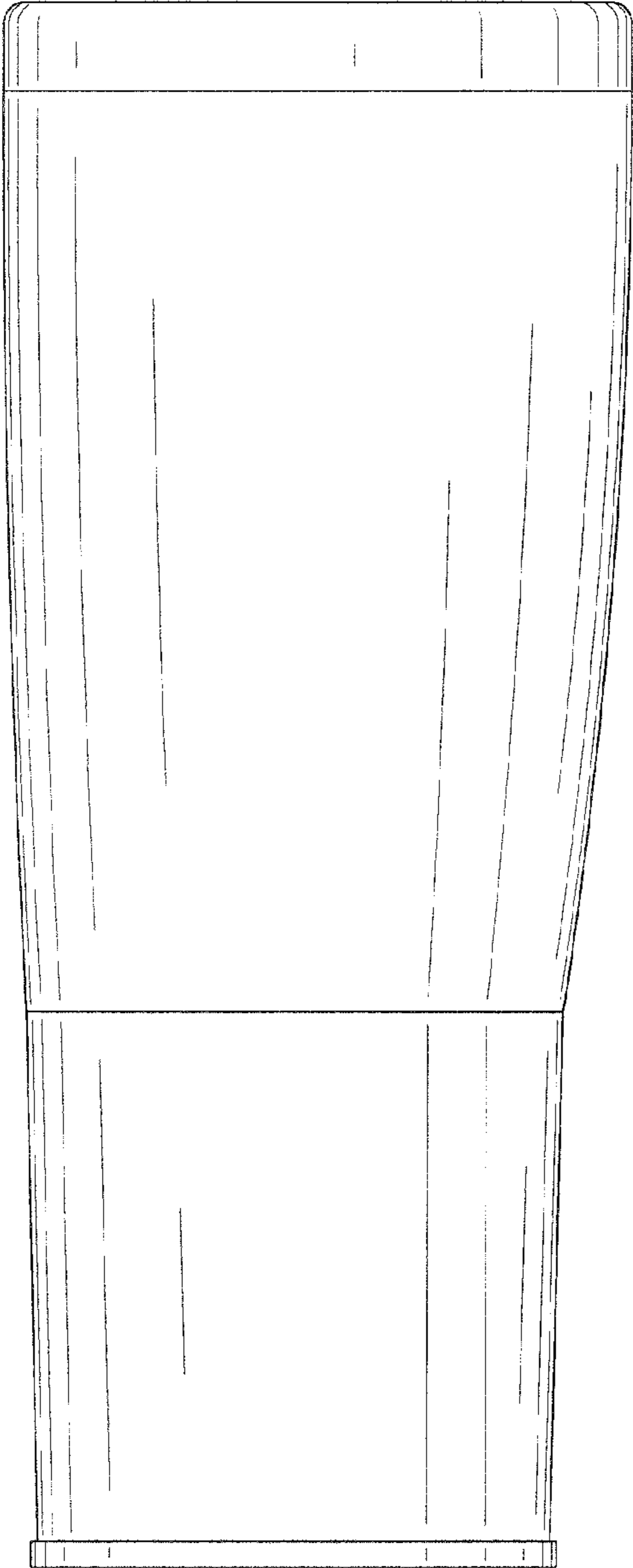


FIG. 3

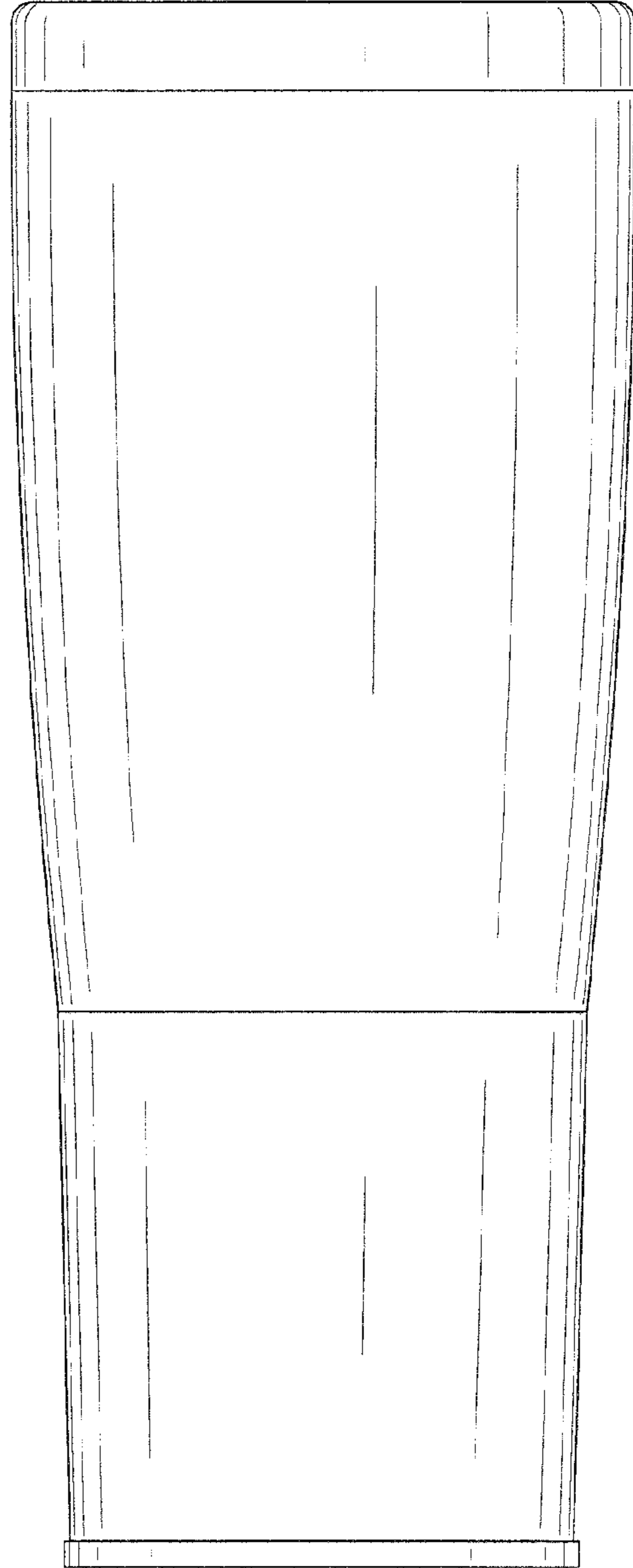


FIG. 4

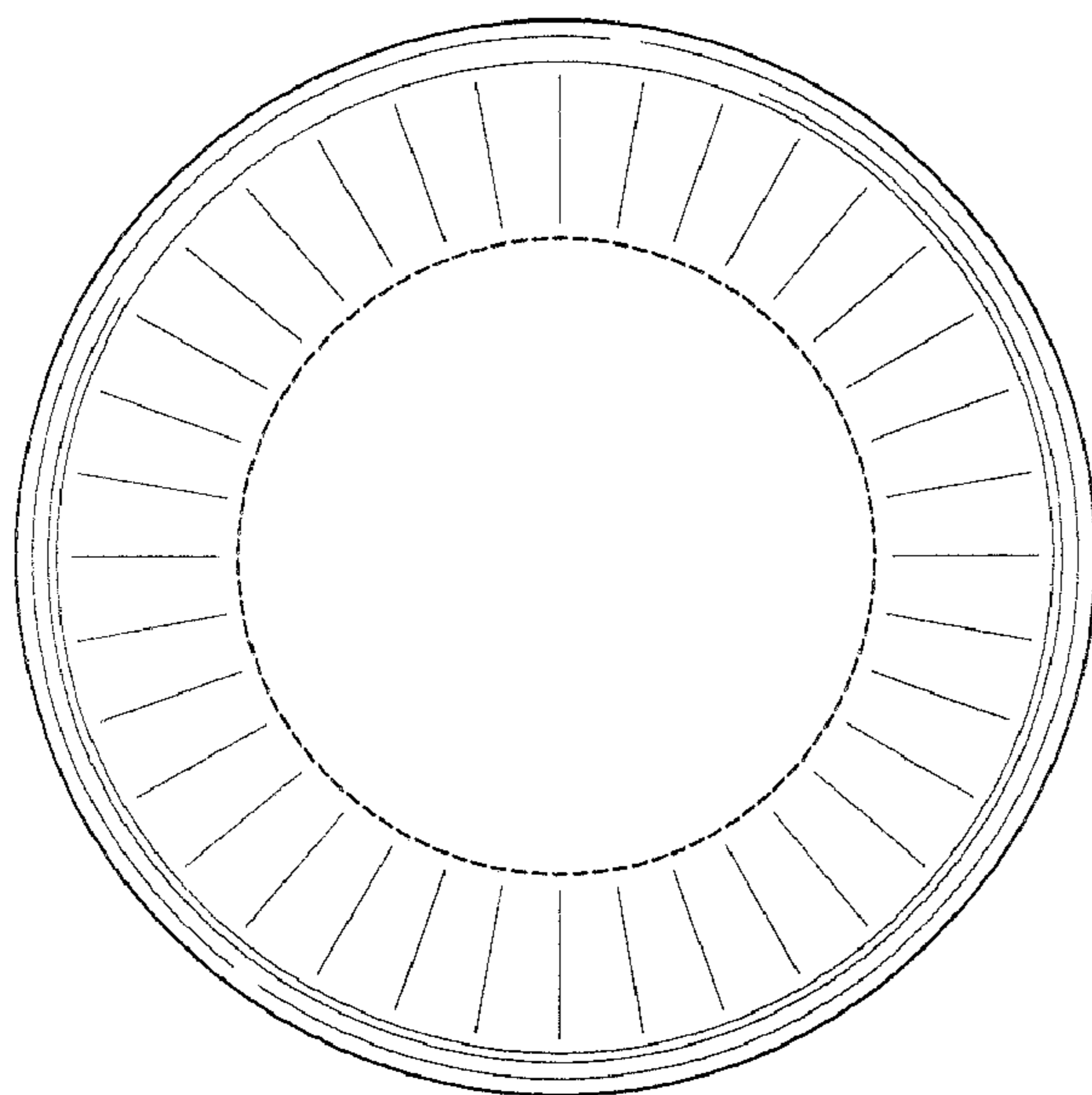


FIG. 5

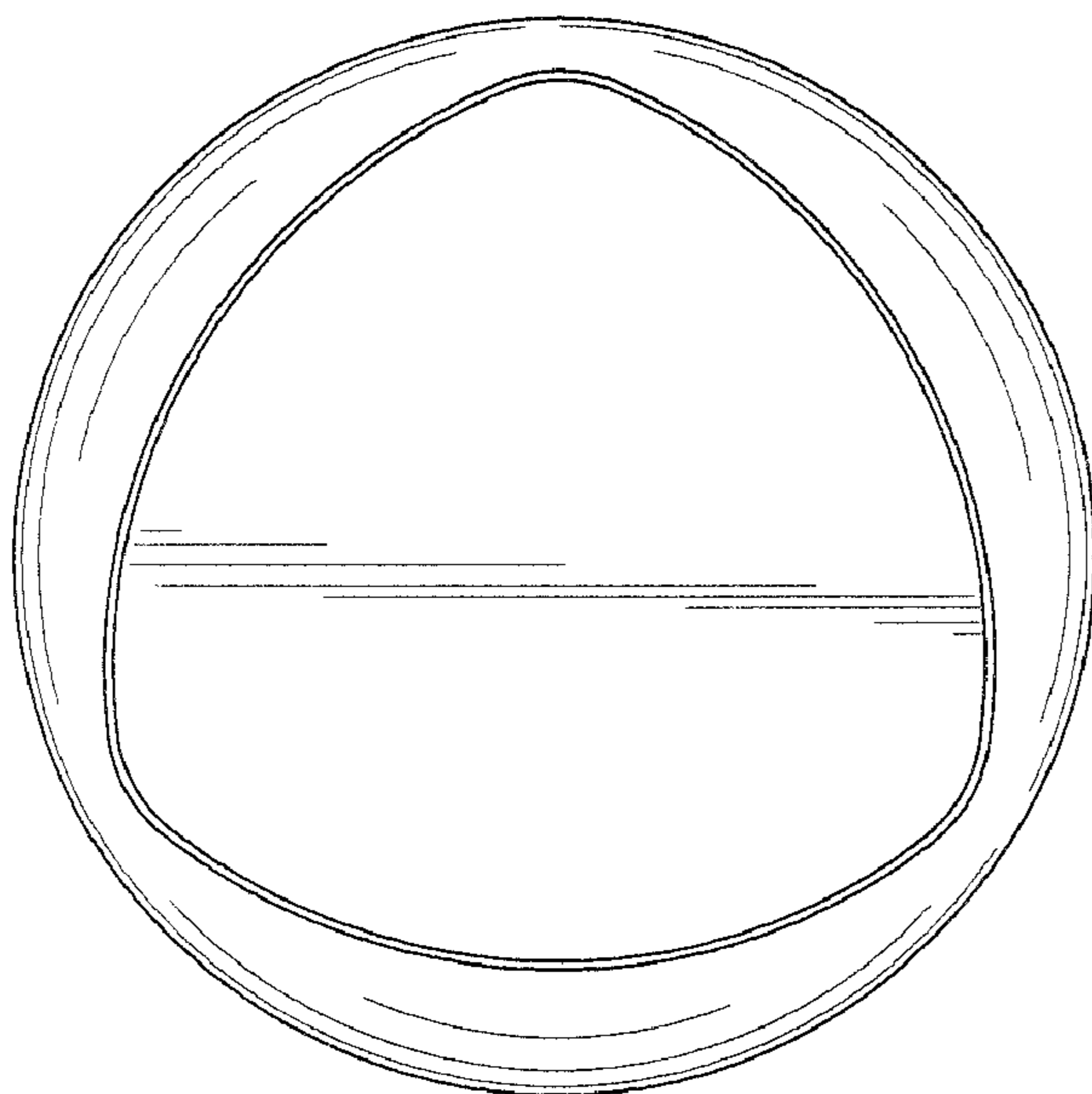


FIG. 6