



US00D568103S

(12) **United States Design Patent**
Bodum

(10) **Patent No.:** **US D568,103 S**

(45) **Date of Patent:** **** May 6, 2008**

(54) **DOUBLE WALL GLASS**

(75) Inventor: **Jørgen Bodum**, Meggen (CH)

(73) Assignee: **Pi-Design AG**, Triengen (CH)

(**) Term: **14 Years**

(21) Appl. No.: **29/284,620**

(22) Filed: **Sep. 12, 2007**

(30) **Foreign Application Priority Data**

Mar. 12, 2007 (DK) DA 2007 00066

(51) **LOC (8) Cl.** **07-01**

(52) **U.S. Cl.** **D7/523; D7/509**

(58) **Field of Classification Search** D7/500,
D7/507, 509, 510, 513, 523, 524, 526-528,
D7/600, 540, 505, 511, 532; D9/500, 776;
D34/1; 215/387, DIG. 7; 220/495.04, 560,
220/703, 592.16, 592.17; 62/457.3

See application file for complete search history.

(56) **References Cited**

U.S. PATENT DOCUMENTS

1,009,406 A * 11/1911 Graham 220/592.17
1,879,820 A * 9/1932 Perry 215/371
D98,420 S * 2/1936 Deskey D7/523
3,269,144 A * 8/1966 Poris 62/457.3
3,394,562 A * 7/1968 Coleman 62/457.3
D222,375 S * 10/1971 Bencik D7/523
D464,849 S * 10/2002 Norris et al. D7/523

D475,891 S * 6/2003 Bin D7/510
D490,655 S * 6/2004 Zettle et al. D7/532
D526,848 S * 8/2006 Bodum D7/523
D542,599 S * 5/2007 Tien D7/523
D553,437 S * 10/2007 Bodum D7/523
D553,909 S * 10/2007 Bodum D7/523

* cited by examiner

Primary Examiner—Philip S. Hyder

Assistant Examiner—Cynthia Underwood

(74) *Attorney, Agent, or Firm*—Cowan, Liebowitz & Latman, PC

(57) **CLAIM**

The ornamental design for a double wall glass, as shown and described.

DESCRIPTION

FIG. 1 is a perspective view of the double wall glass showing my design thereof;

FIG. 2 is a front view thereof;

FIG. 3 is a back view thereof;

FIG. 4 is a right side view thereof;

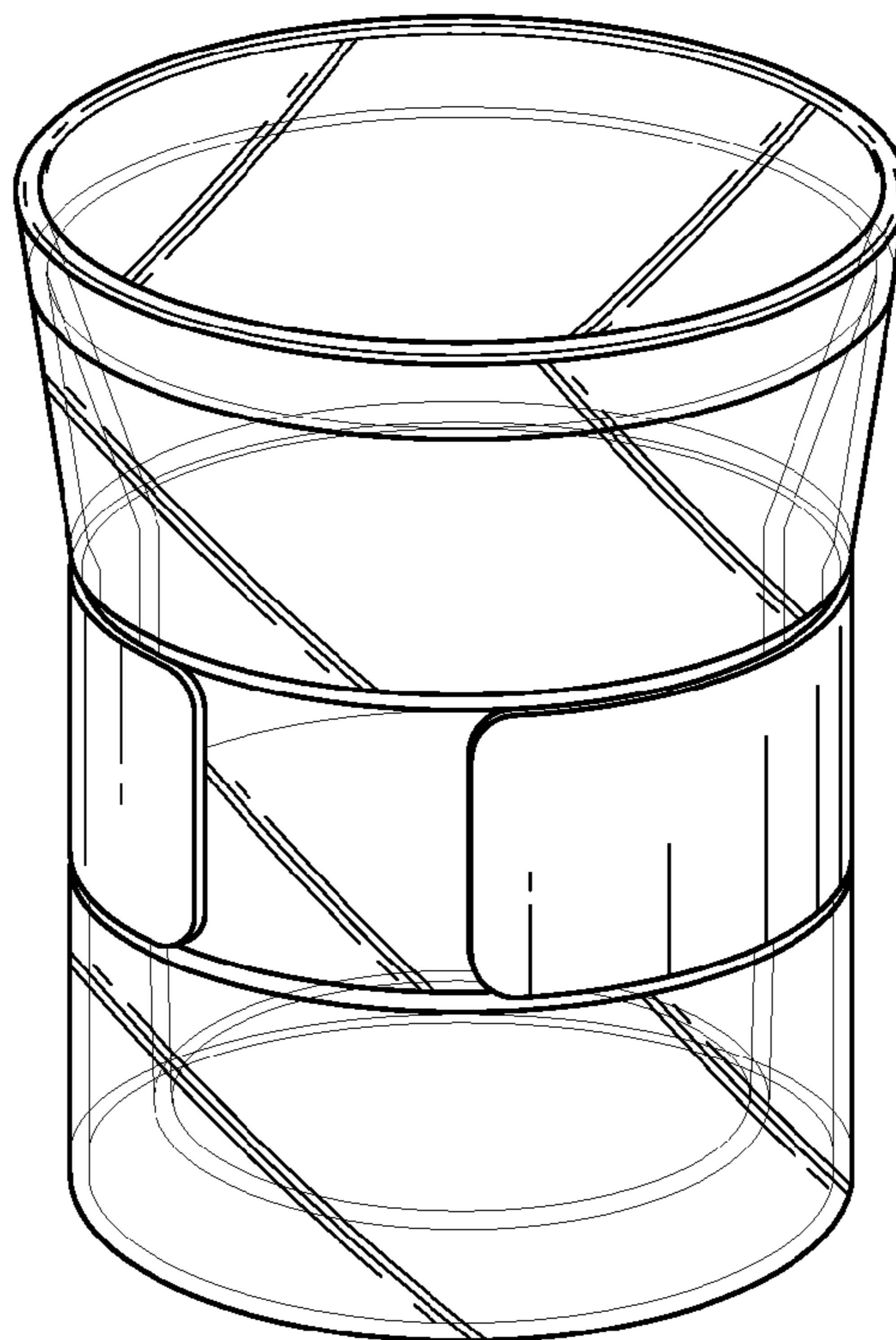
FIG. 5 is a left side view thereof;

FIG. 6 is a top view thereof;

FIG. 7 is a bottom view thereof; and,

FIG. 8 is a cross-sectional view thereof taken along line 8—8 of FIG. 6.

1 Claim, 8 Drawing Sheets



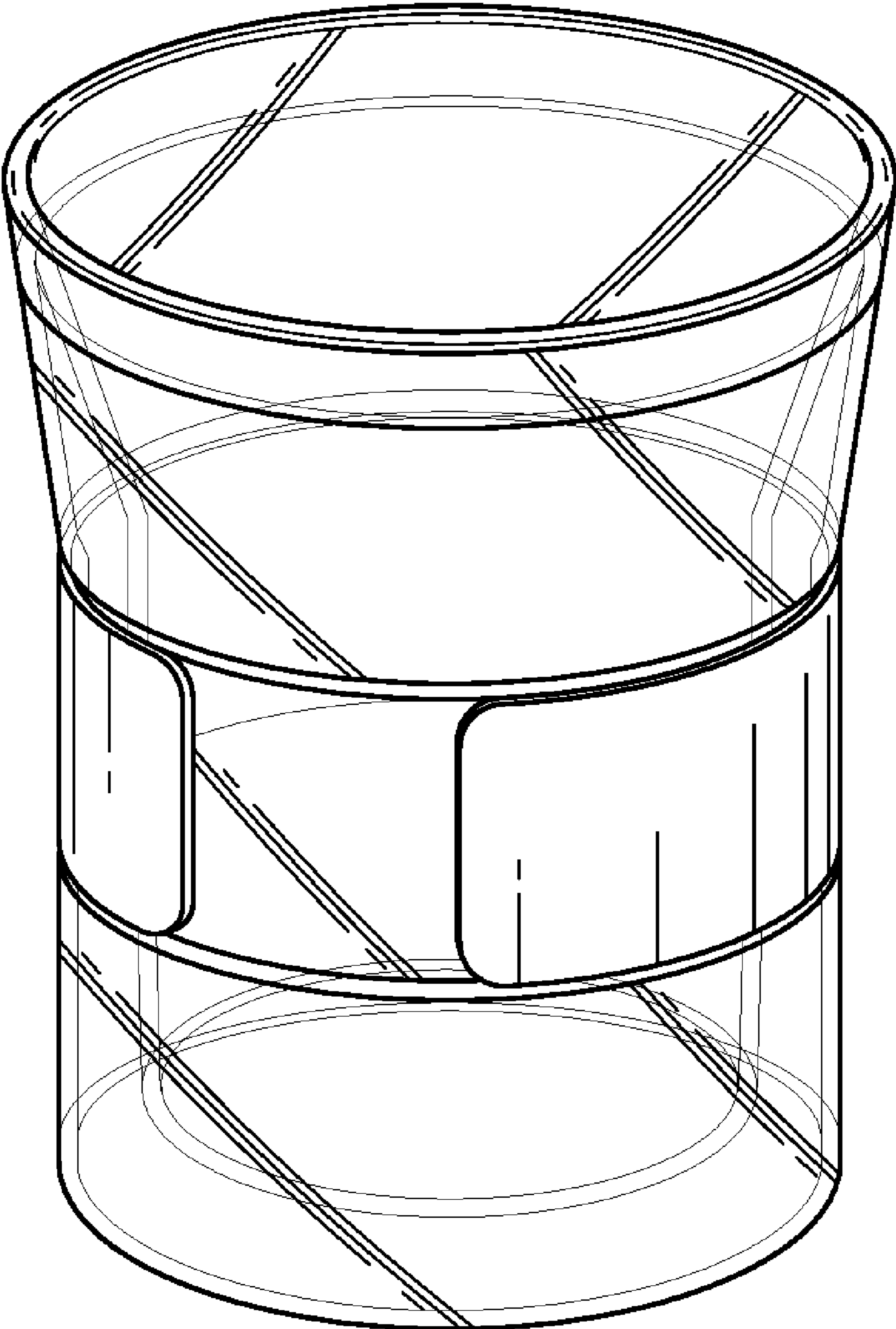


FIG. 1

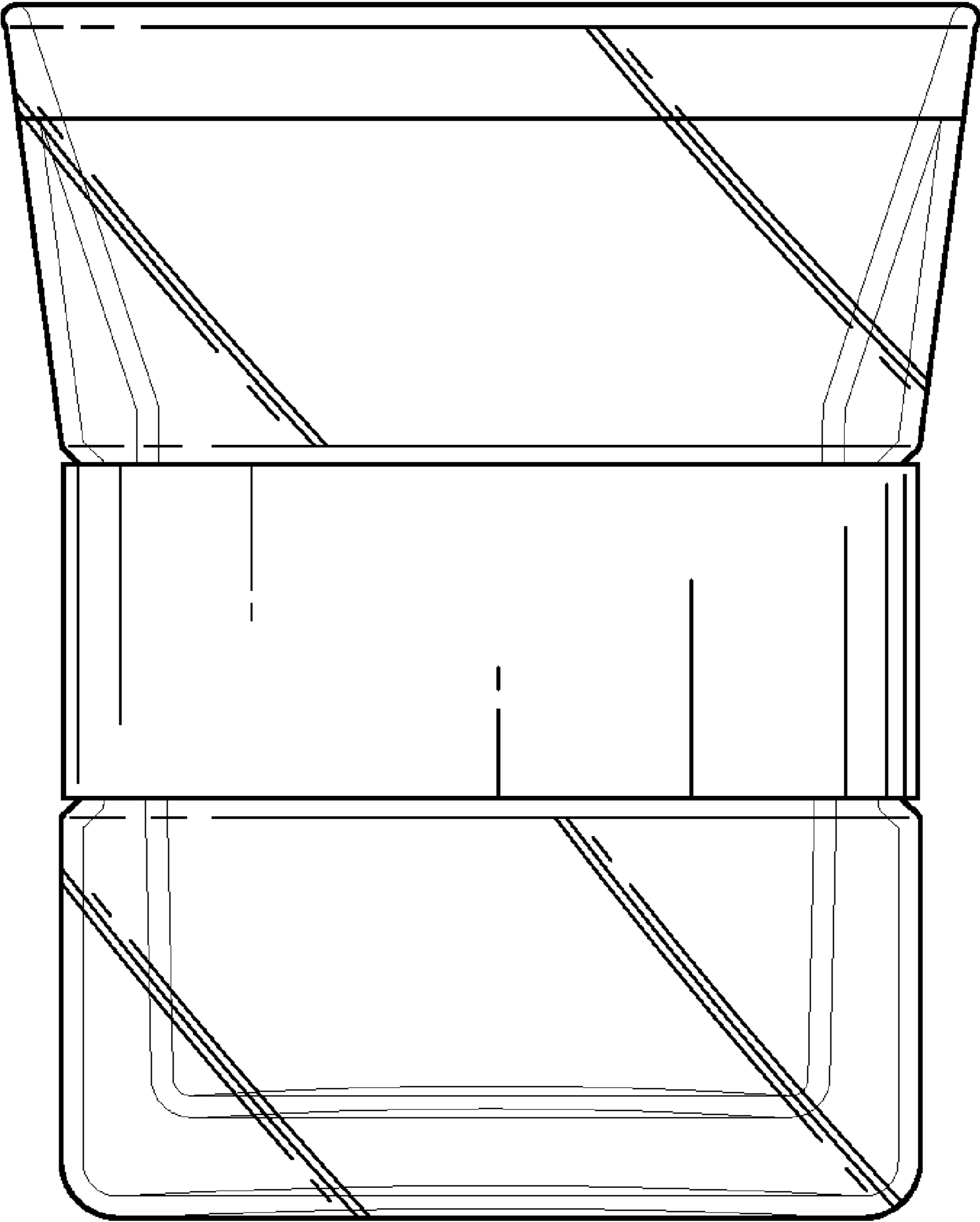


FIG. 2

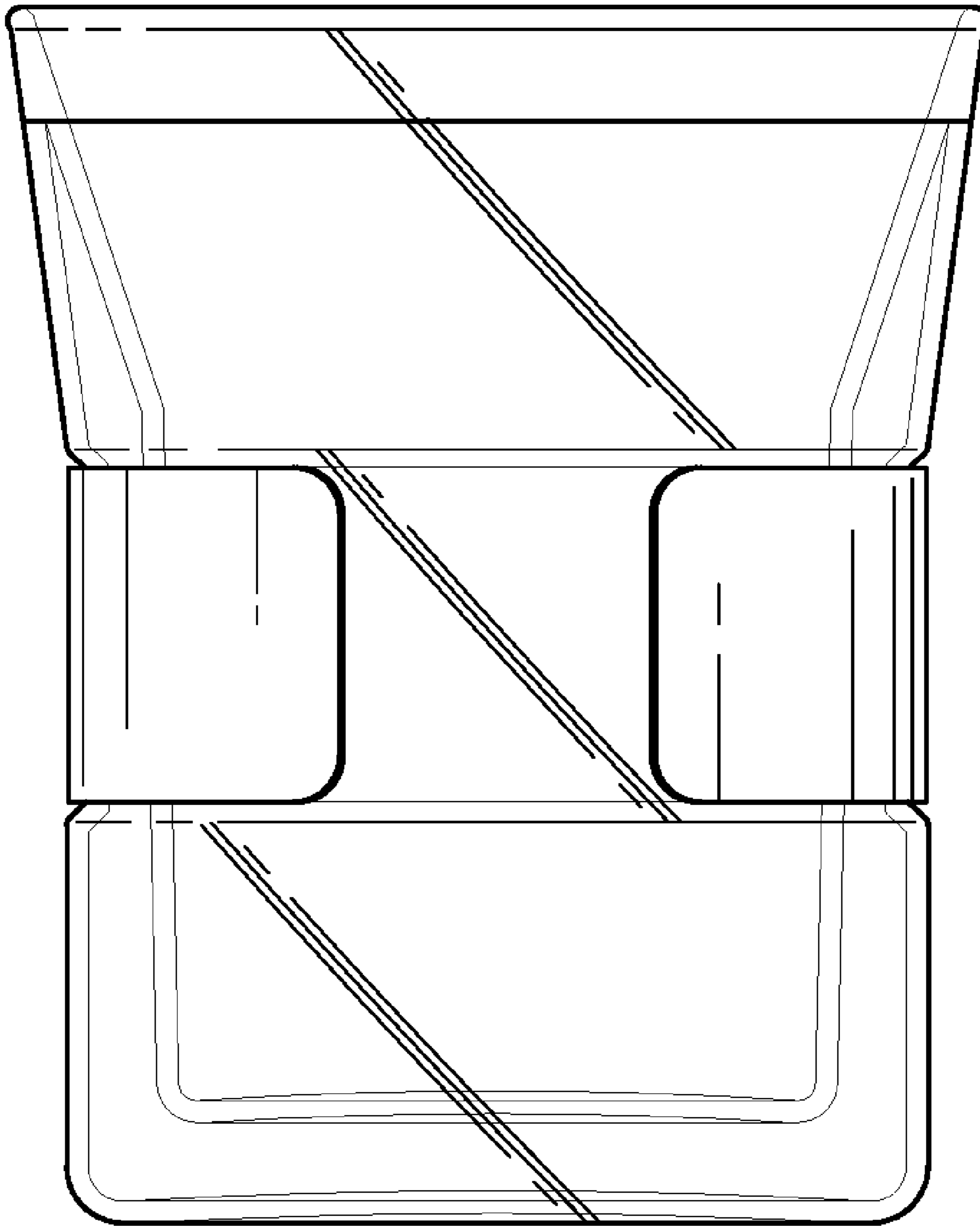


FIG. 3

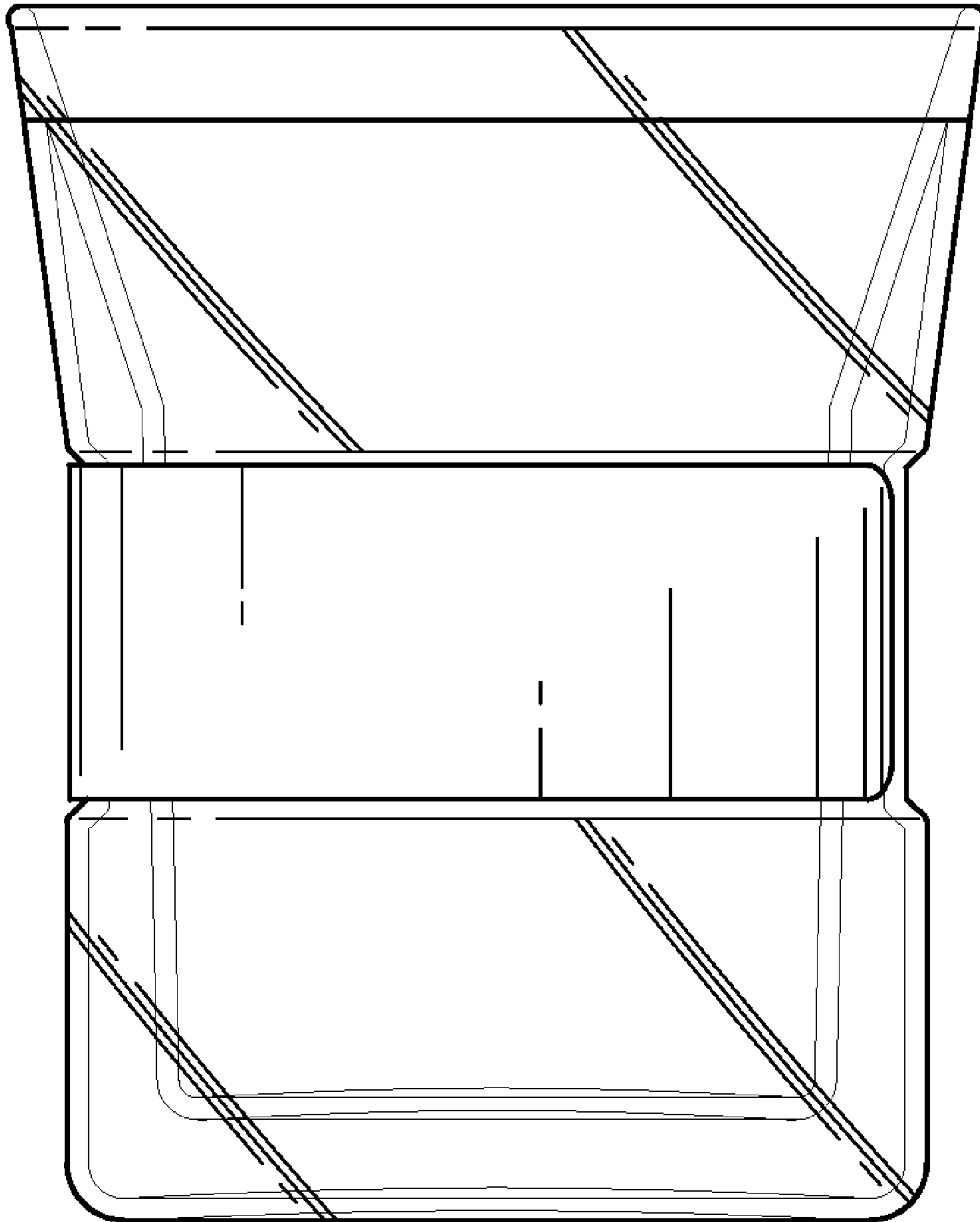


FIG. 4

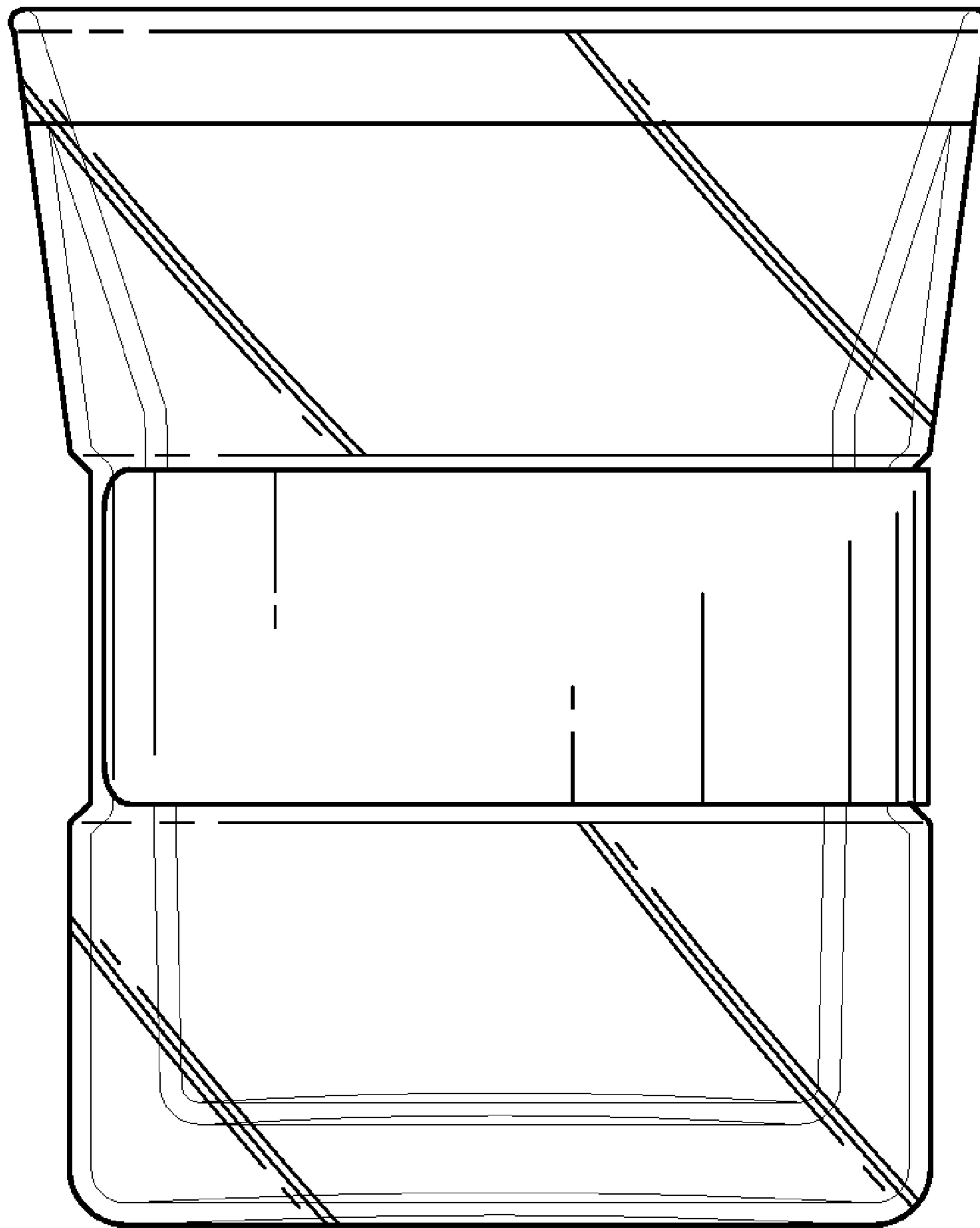


FIG. 5

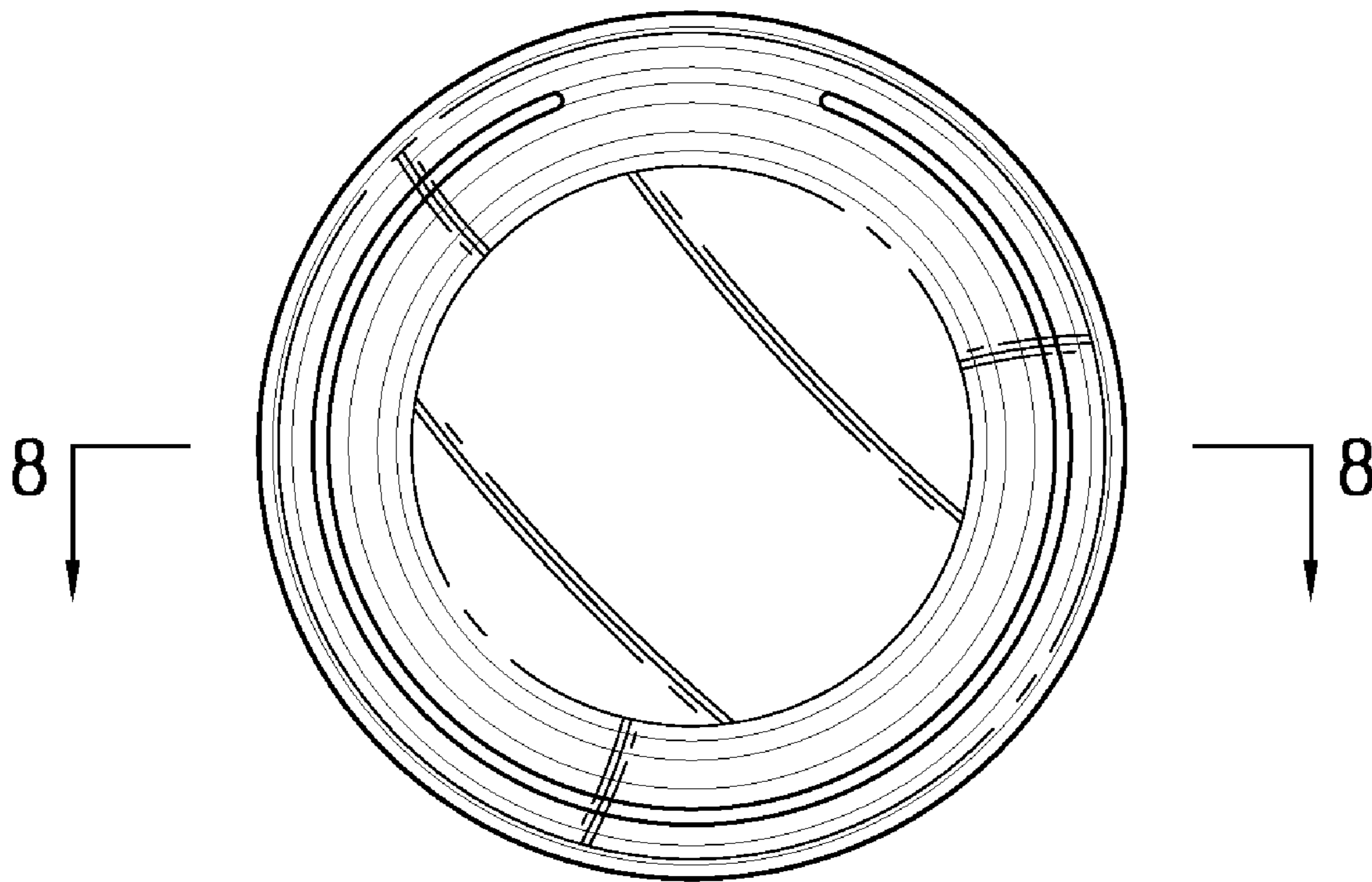


FIG. 6

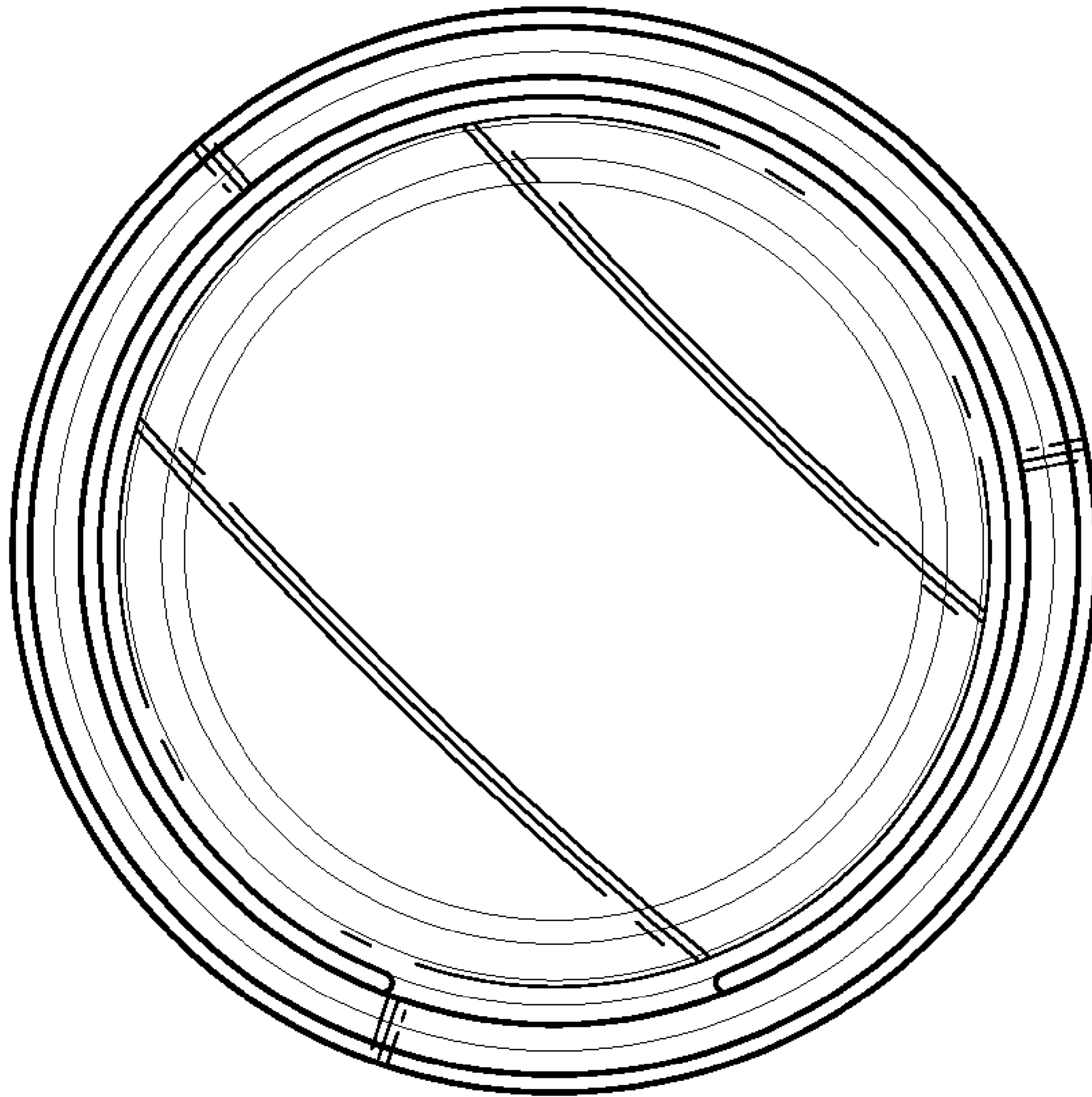


FIG. 7

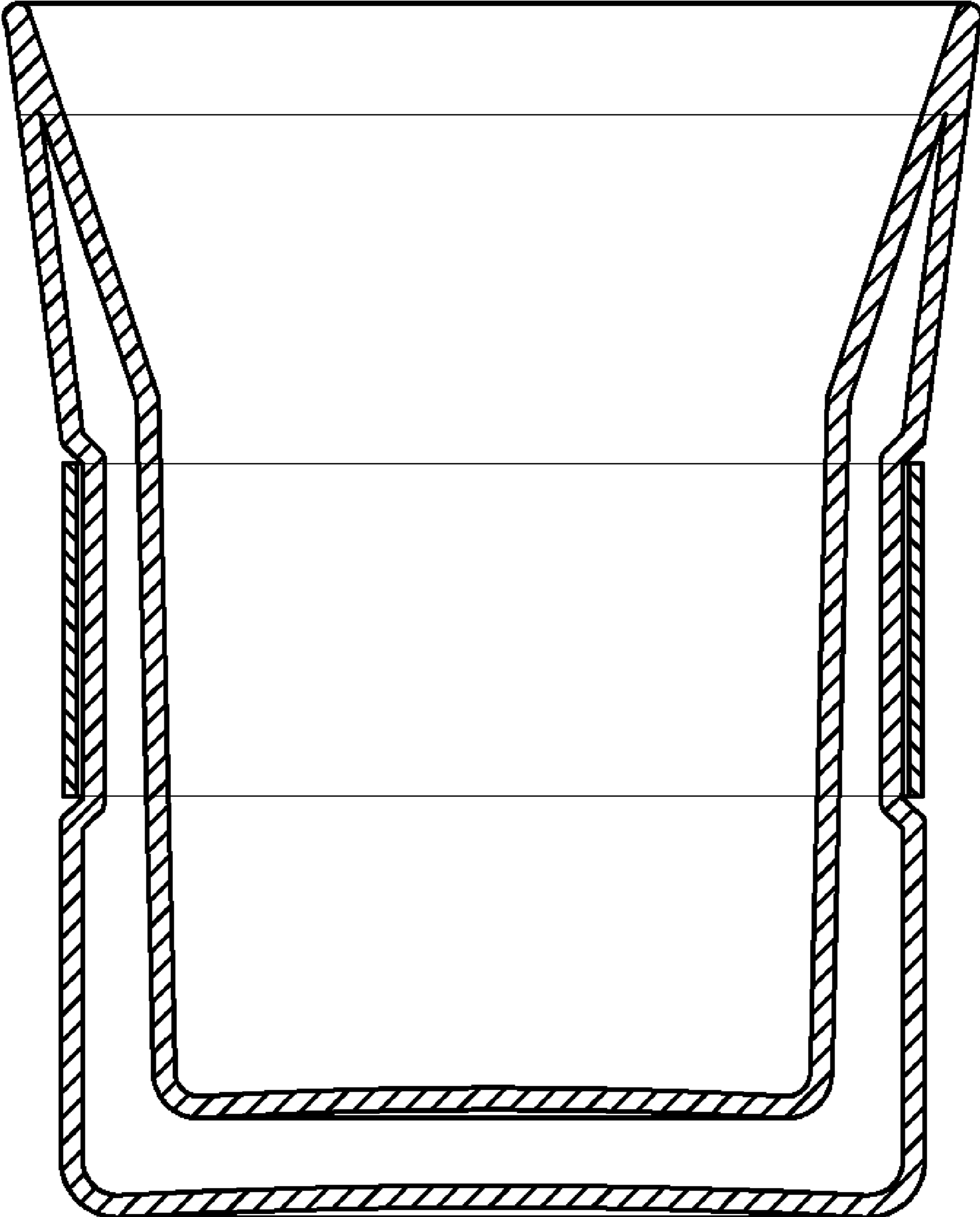


FIG. 8