



US00D568101S

(12) **United States Design Patent** (10) **Patent No.:** **US D568,101 S**
Kaney et al. (45) **Date of Patent:** **** May 6, 2008**

(54) **COOKING APPLIANCE WITH LOW PROFILE CONTROL PANEL**

(75) Inventors: **Howard Wayne Kaney**, West Bend, WI (US); **Alistair Hugh Tatham Mackay**, Melbourne (AU)

(73) Assignee: **Focus Products Group, LLC**, Vernon Hills, IL (US)

(**) Term: **14 Years**

(21) Appl. No.: **29/228,993**

(22) Filed: **May 2, 2005**

(51) **LOC (8) Cl.** **07-02**

(52) **U.S. Cl.** **D7/406**

(58) **Field of Classification Search** D7/306, D7/323, 337, 354-361, 406, 545; 219/401, 219/429, 423, 438-442, 620-621; 99/324-340, 99/357, 403-419

See application file for complete search history.

(56) **References Cited**

U.S. PATENT DOCUMENTS

- D104,914 S 6/1937 Coss
- D153,894 S 5/1949 Mortrude
- D170,575 S 10/1953 Jepson
- D199,747 S 12/1964 Farber
- D248,363 S 7/1978 Rinaldi
- D253,574 S 12/1979 Anderson, Jr.
- D254,355 S 3/1980 Ottier
- D267,388 S 12/1982 Spoeth, Jr. et al.
- D275,925 S 10/1984 Bowen et al.
- D280,064 S 8/1985 Obata et al.
- D284,257 S 6/1986 Greb et al.
- D300,598 S 4/1989 Ueda et al.
- D335,063 S 4/1993 Napolitano
- D338,132 S * 8/1993 Chang D7/356
- D366,592 S 1/1996 Cesaroni et al.
- D376,724 S 12/1996 Mendelson et al.
- 5,782,165 A 7/1998 Glenboski et al.
- D404,244 S 1/1999 Jozancy
- D410,815 S * 6/1999 Oger D7/354

- D416,434 S 11/1999 Pollnow
- D420,246 S 2/2000 Alonge et al.
- D420,247 S 2/2000 Kaney et al.
- D425,360 S 5/2000 Dobson et al.
- D429,596 S 8/2000 Hlava et al.
- D434,266 S 11/2000 Dobson et al.
- D444,664 S 7/2001 Dobson et al.
- D444,993 S 7/2001 Dobson et al.
- D463,192 S * 9/2002 Uneo et al. D7/306
- 6,523,457 B1 2/2003 Ancona et al.

(Continued)

FOREIGN PATENT DOCUMENTS

JP 03029619 A 2/1991

OTHER PUBLICATIONS

Rival® Crock-Pot® Oval Slow Cooker catalog pages (1997).

Primary Examiner—Robert A. Delehanty

Assistant Examiner—Mark Cavanna

(74) *Attorney, Agent, or Firm*—Michael Best & Friedrich LLP

(57) **CLAIM**

The ornamental design for cooking appliance with low profile control panel, as shown and described.

DESCRIPTION

FIG. 1 is a perspective view of a cooking appliance with low profile control panel showing our new design;

FIG. 2 is a front view thereof;

FIG. 3 is a right side view thereof;

FIG. 4 is a left side view thereof;

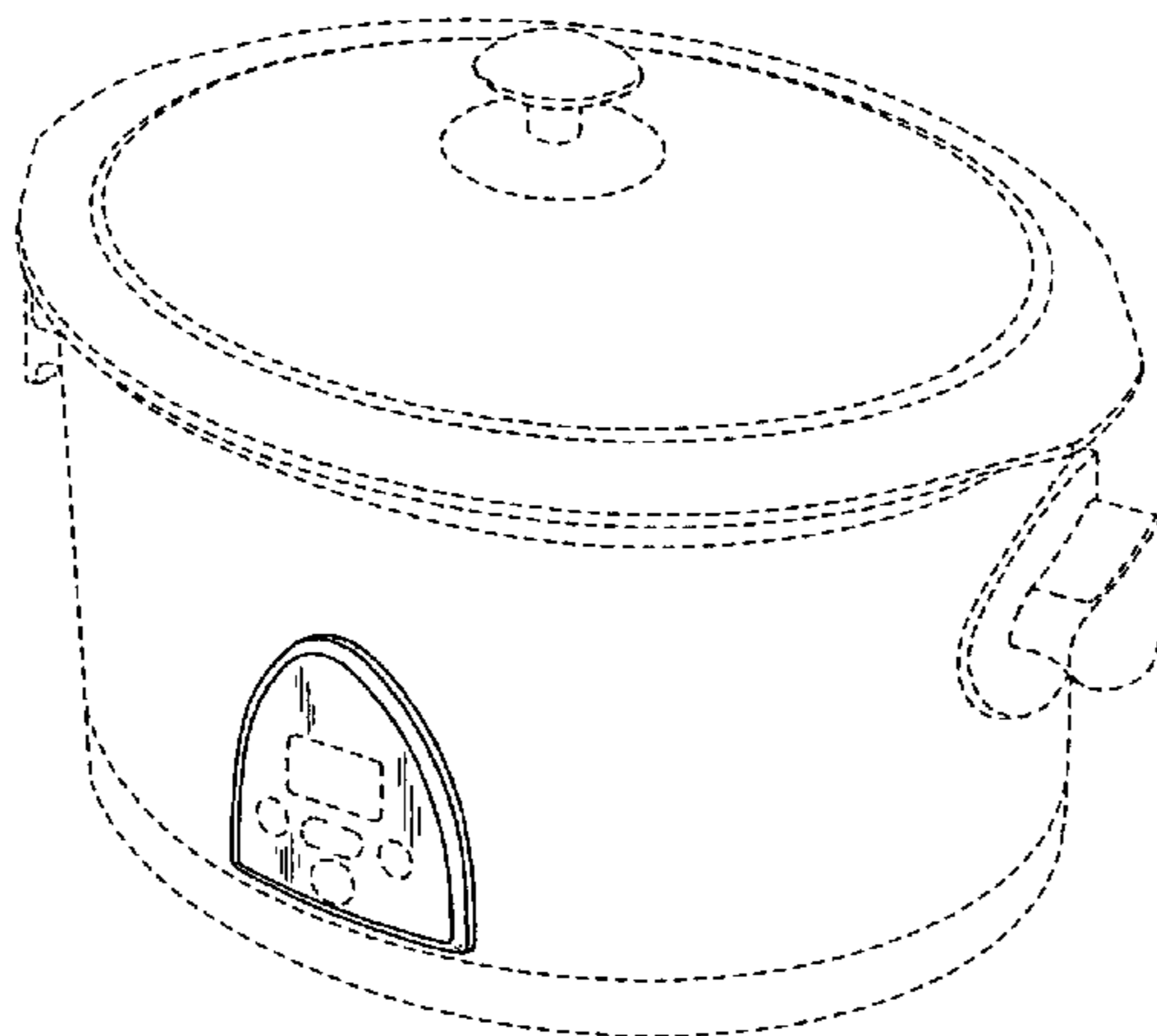
FIG. 5 is a bottom view thereof;

FIG. 6 is a rear side view thereof; and,

FIG. 7 is a top view thereof.

The broken line showing of the cooking appliance is included for the purpose of illustration and forms no part of the claimed design.

1 Claim, 4 Drawing Sheets



US D568,101 S

Page 2

U.S. PATENT DOCUMENTS

6,573,483 B1	6/2003	DeCobert et al.	
D486,351 S *	2/2004	Lu et al.	D7/354
D487,670 S *	3/2004	Moon et al.	D7/406
D498,115 S *	11/2004	Shin	D7/354
D505,293 S *	5/2005	Jung	D7/354
7,109,445 B2	9/2006	Patterson et al.	
D542,081 S *	5/2007	Picozza et al.	D7/354
2003/0124213 A1	7/2003	Ancona et al.	

* cited by examiner

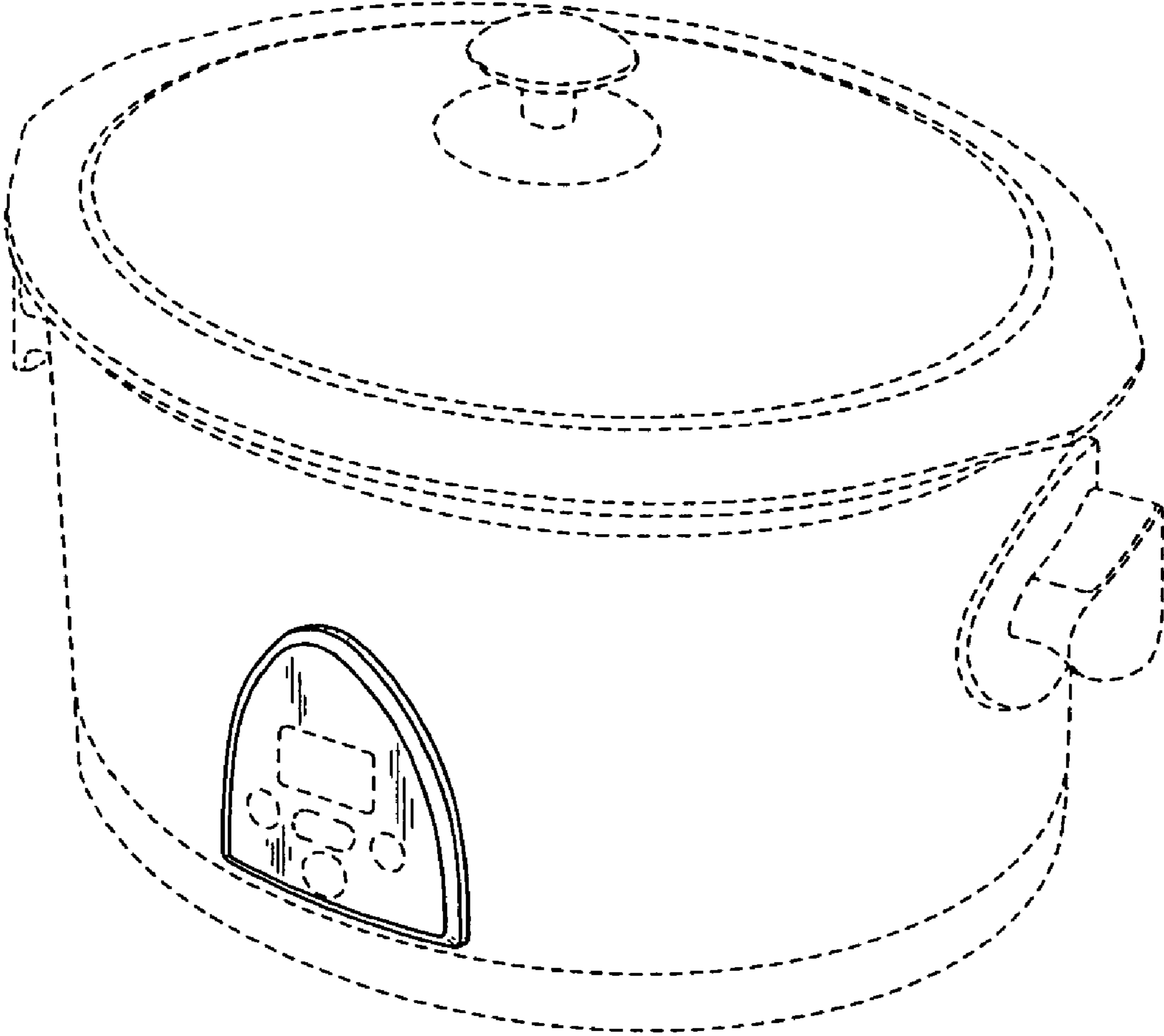


FIG. 1

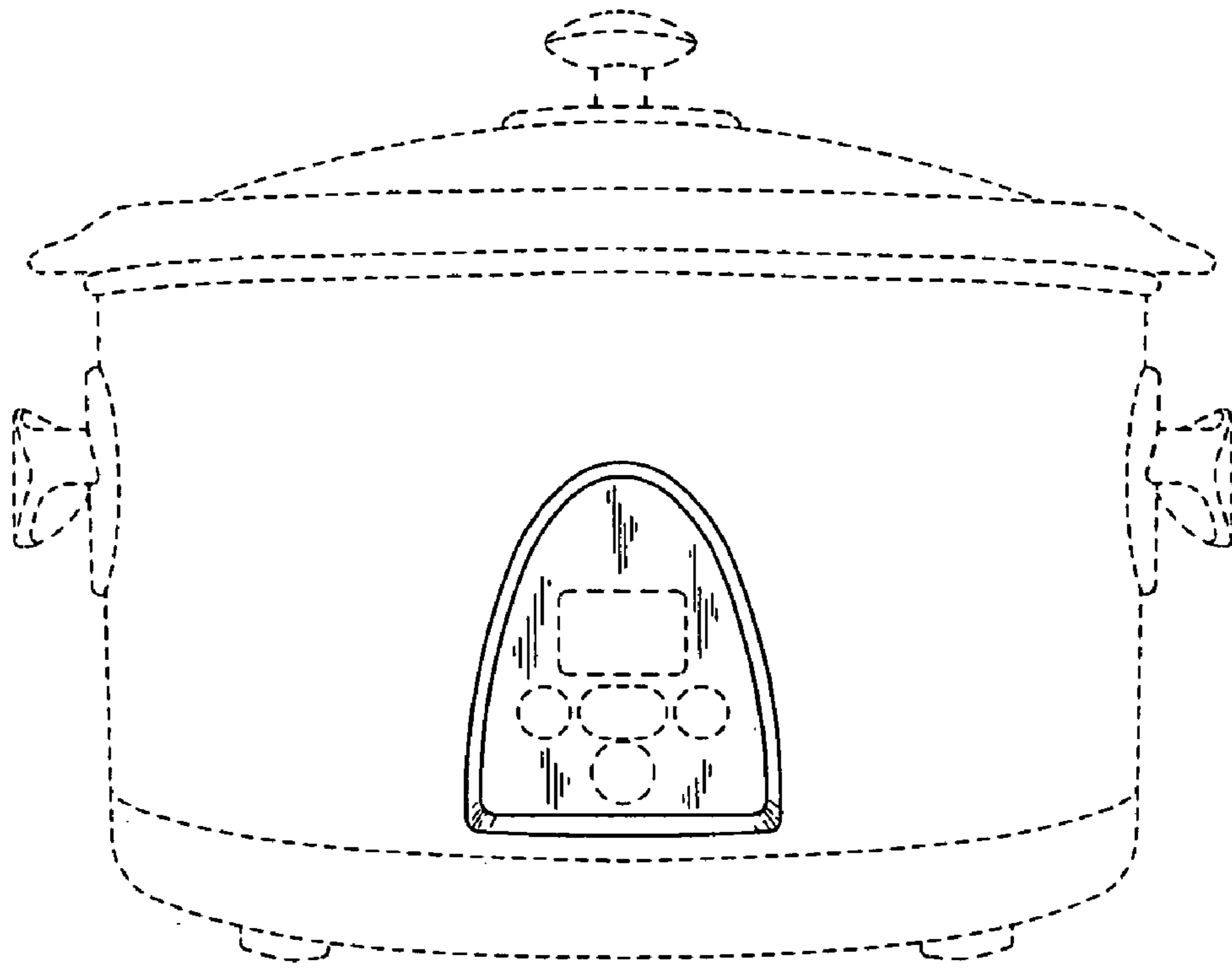


FIG. 2

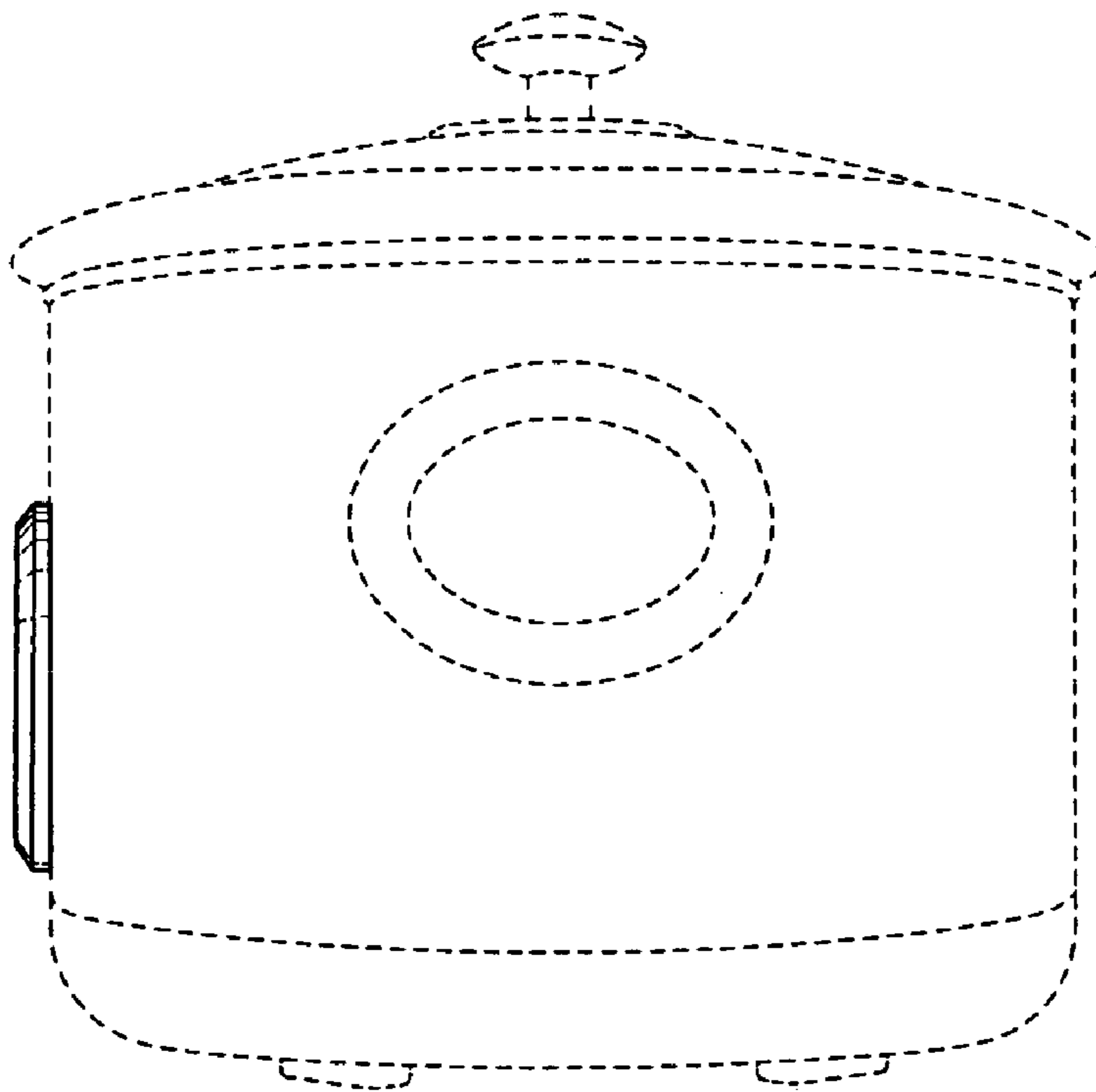


FIG. 3

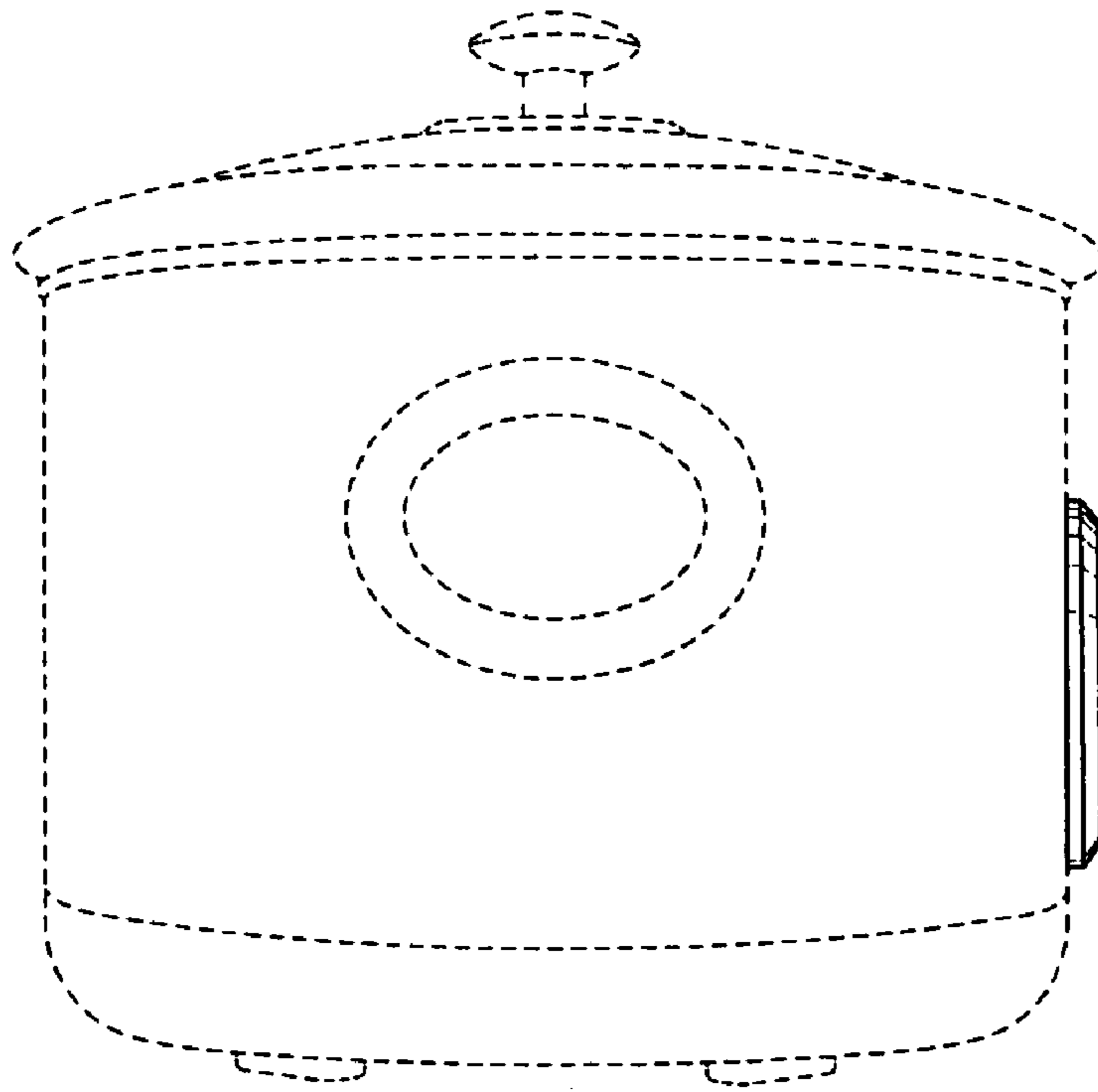


FIG. 4

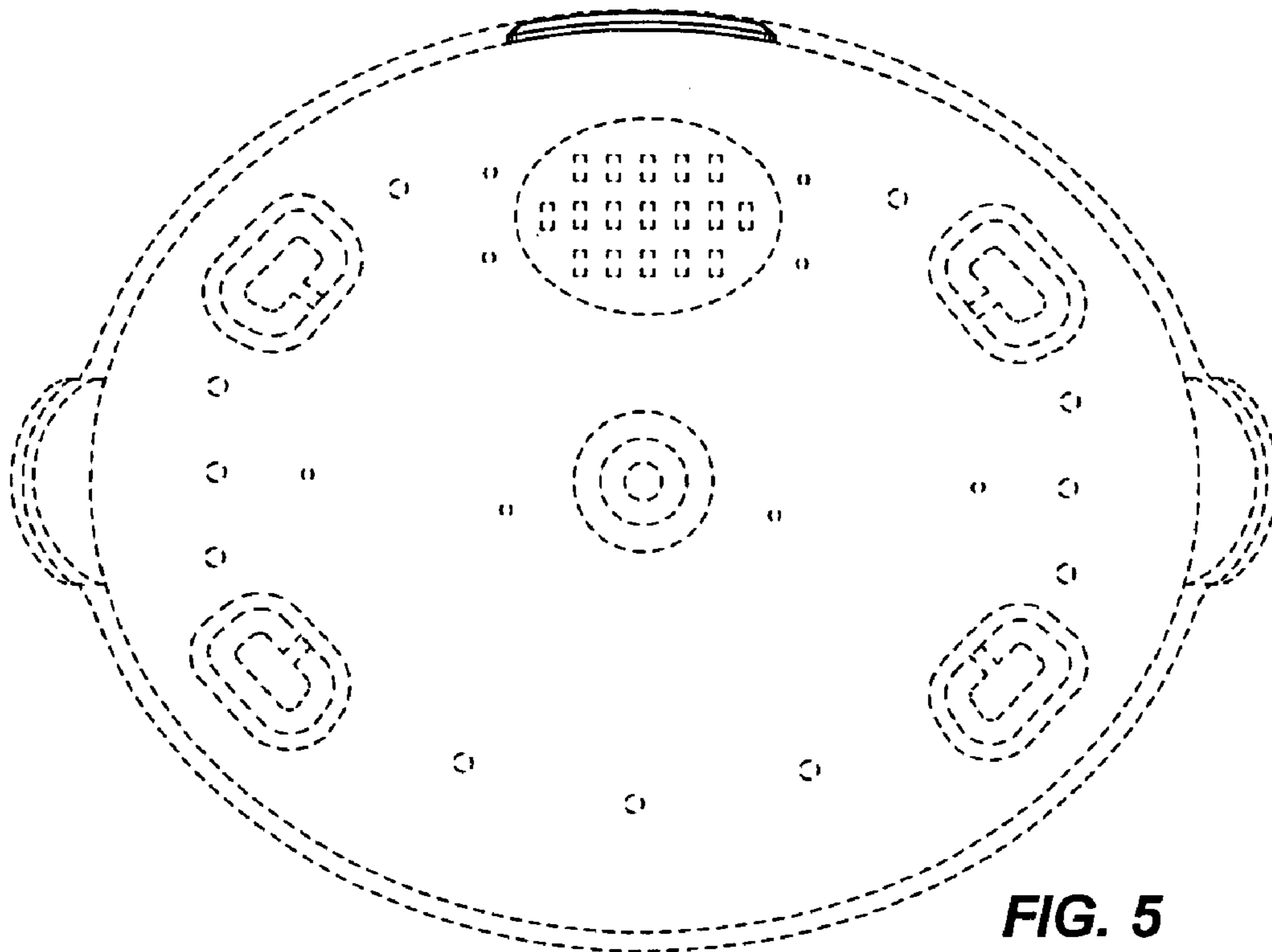


FIG. 5

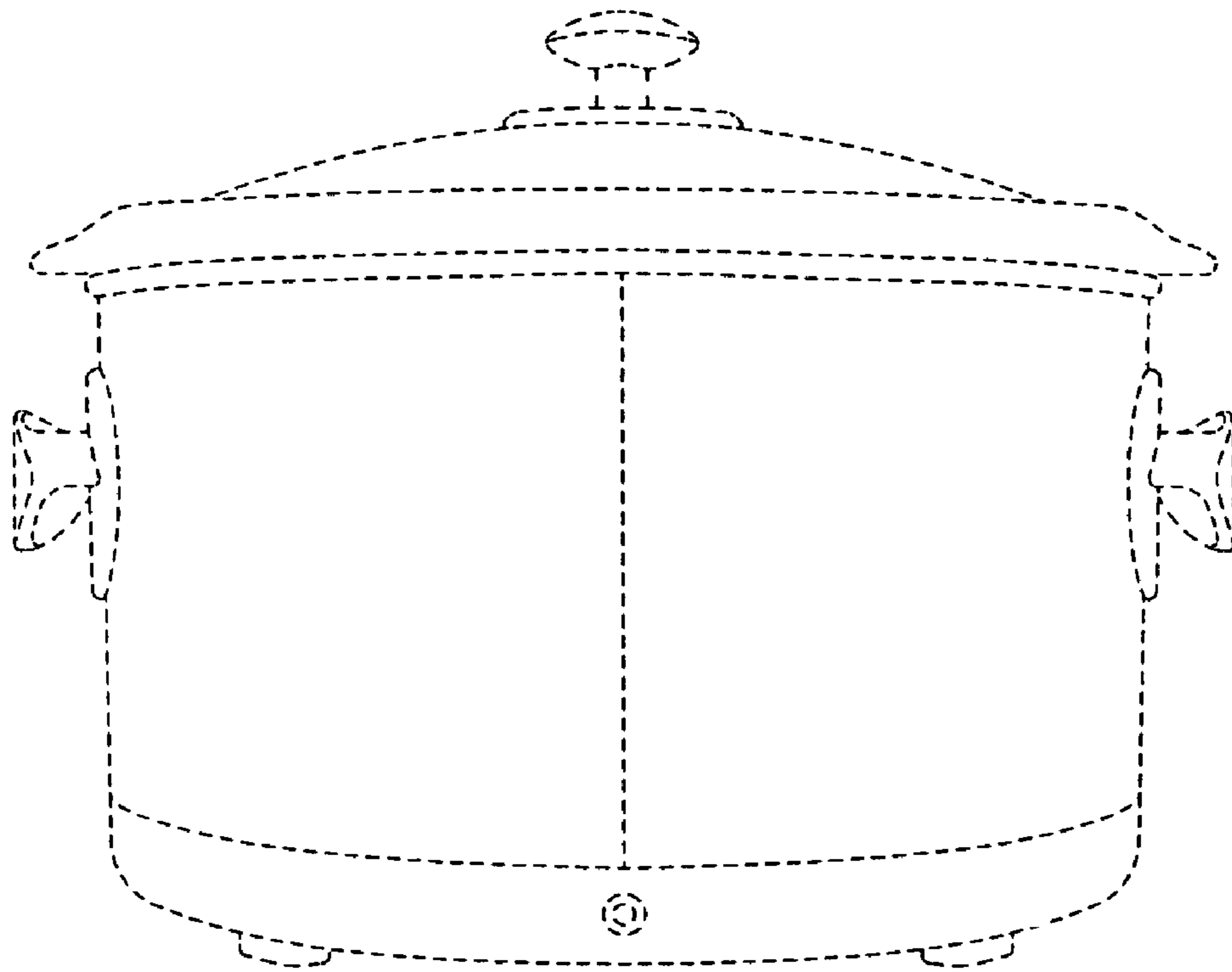


FIG. 6

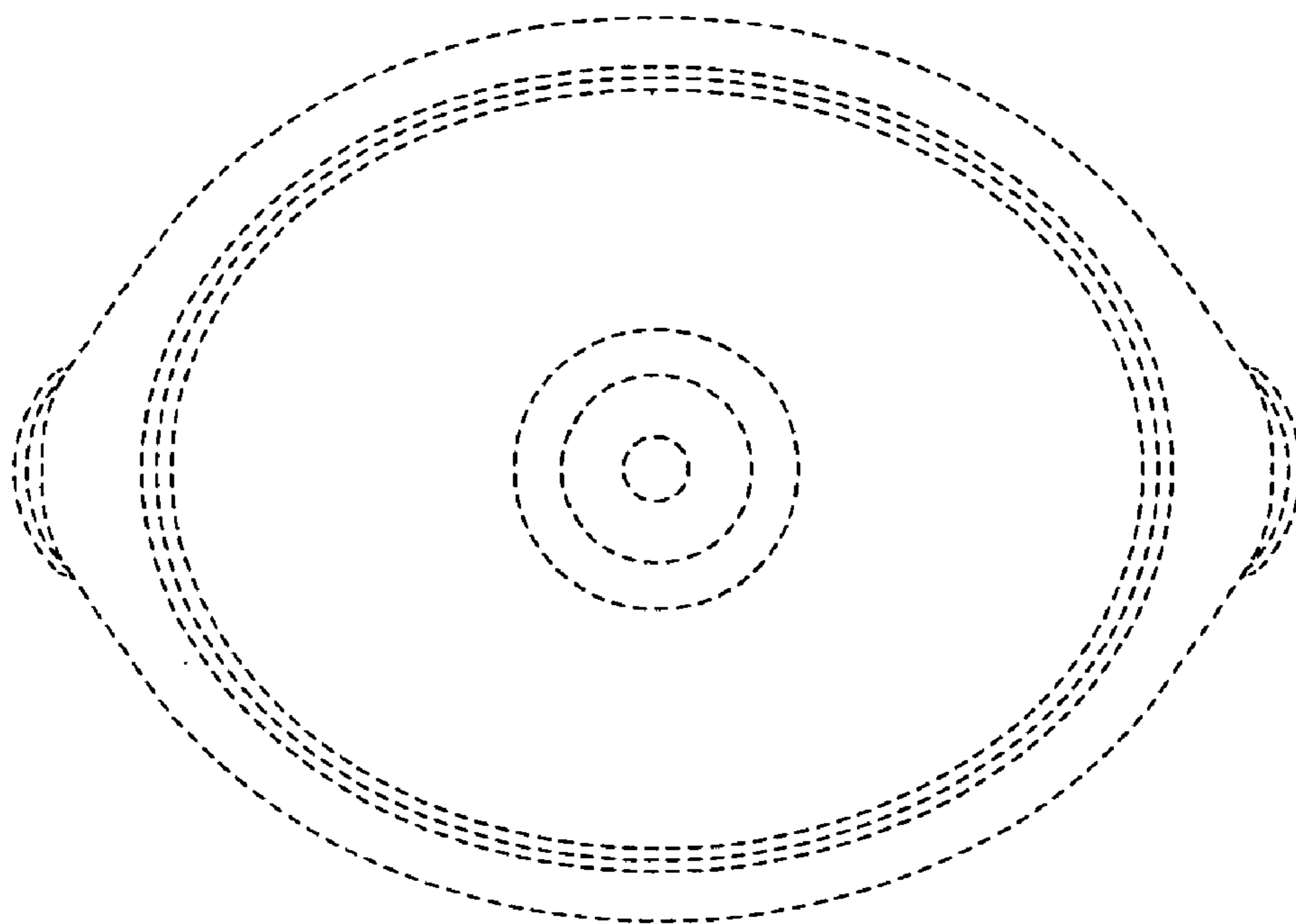


FIG. 7