

US00D568095S

(12) **United States Design Patent**
De' Longhi

(10) **Patent No.:** **US D568,095 S**

(45) **Date of Patent:** **** May 6, 2008**

(54) **HOT PLATE**

(75) Inventor: **Giuseppe De' Longhi**, Treviso (IT)

(73) Assignee: **De' Longhi S.p.A.**, Treviso (IT)

(**) Term: **14 Years**

(21) Appl. No.: **29/271,953**

(22) Filed: **Jan. 29, 2007**

(30) **Foreign Application Priority Data**

Aug. 25, 2006 (EM) 000579941

(51) **LOC (8) Cl.** **07-02**

(52) **U.S. Cl.** **D7/362**

(58) **Field of Classification Search** D7/362-367,
D7/338, 402, 407; 219/450.1, 520, 468.1,
219/533, 386, 429, 443.1, 452.11; 99/422,
99/425, 443 R, 445, 448, 450

See application file for complete search history.

(56) **References Cited**

U.S. PATENT DOCUMENTS

D432,350 S * 10/2000 Blaise D7/362

D455,601 S * 4/2002 Gerster et al. D7/362

D503,067 S * 3/2005 Lubowicki D7/362

* cited by examiner

Primary Examiner—Ruth McInroy

(74) *Attorney, Agent, or Firm*—Hamre, Schumann, Mueller
& Larson, P.C.

(57) **CLAIM**

I claim the ornamental design for a hot plate, as shown and described.

DESCRIPTION

FIG. 1 is a perspective view of a hot plate in accordance with a first embodiment of the design;

FIG. 2 is a front view thereof;

FIG. 3 is a left side view thereof;

FIG. 4 is a right side view thereof;

FIG. 5 is a back view thereof;

FIG. 6 is a top view thereof;

FIG. 7 is a bottom view thereof;

FIG. 8 is a perspective view thereof, in a dismantled condition;

FIG. 9 is a perspective of a hot plate in accordance with a second embodiment of the design;

FIG. 10 is a front view thereof;

FIG. 11 is a left side view thereof;

FIG. 12 is a right side view thereof;

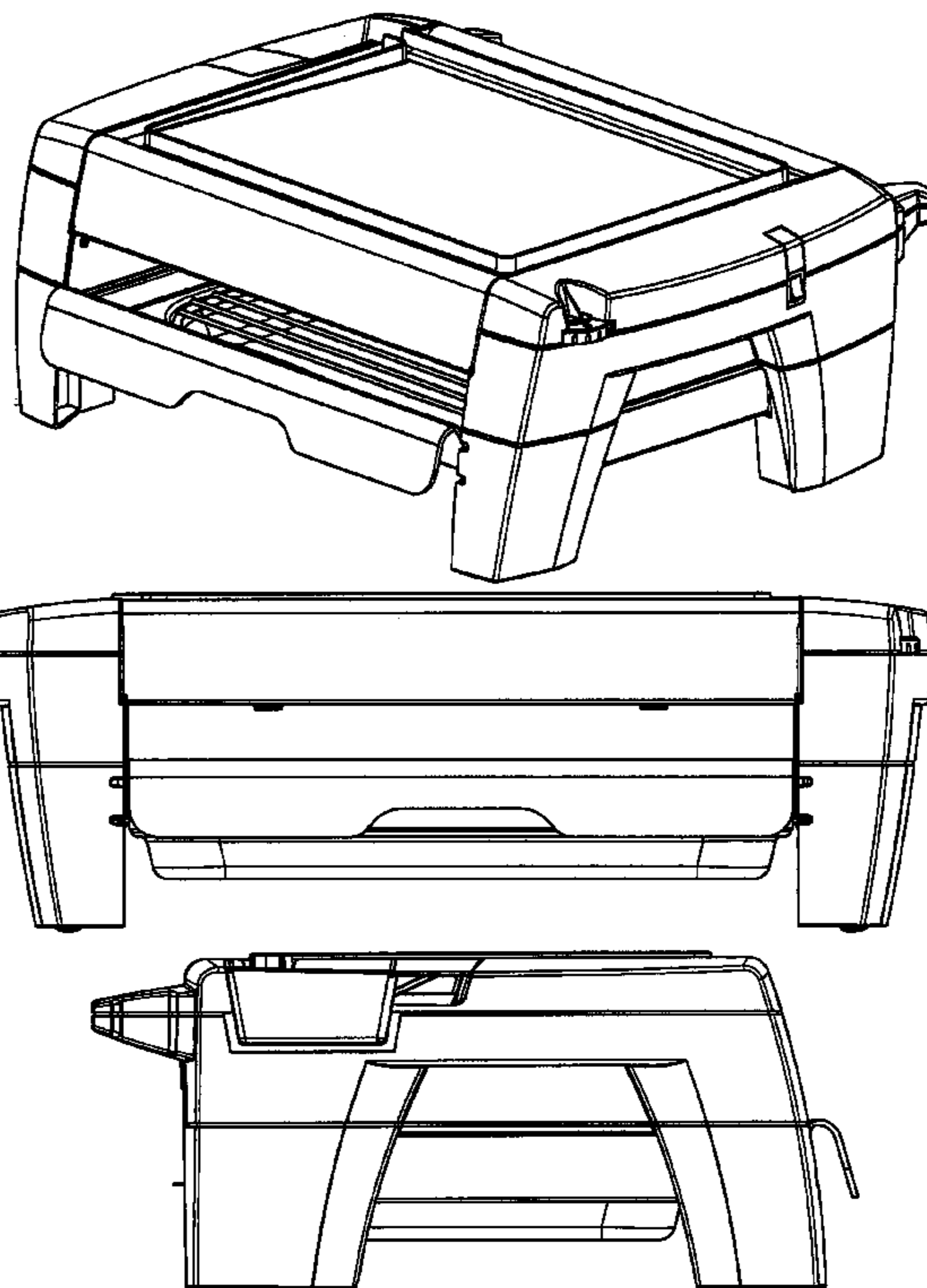
FIG. 13 is a back view thereof;

FIG. 14 is a top view thereof;

FIG. 15 is a bottom view thereof; and,

FIG. 16 is a perspective view thereof, in a dismantled condition.

1 Claim, 10 Drawing Sheets



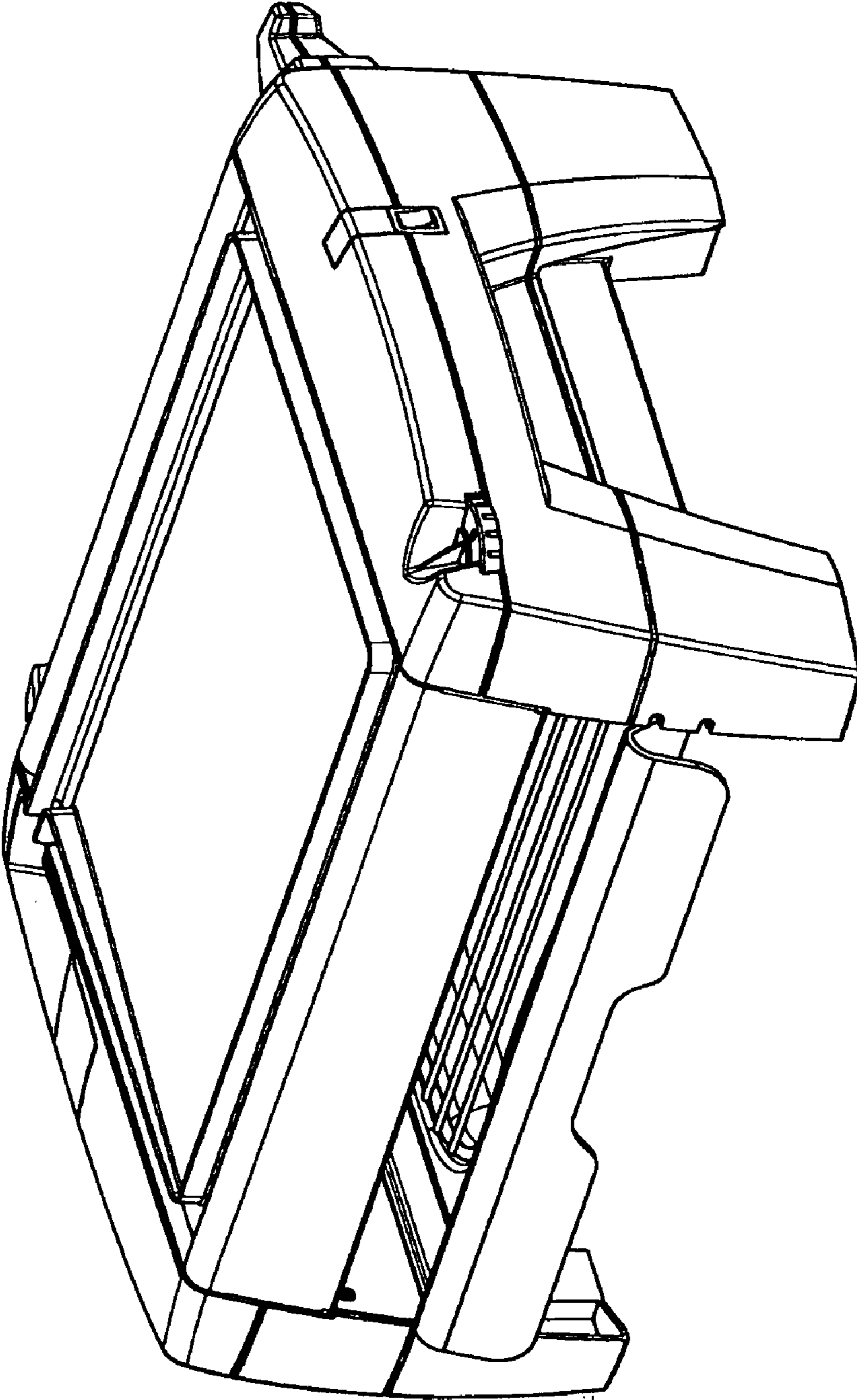


Fig. 1

Fig. 2

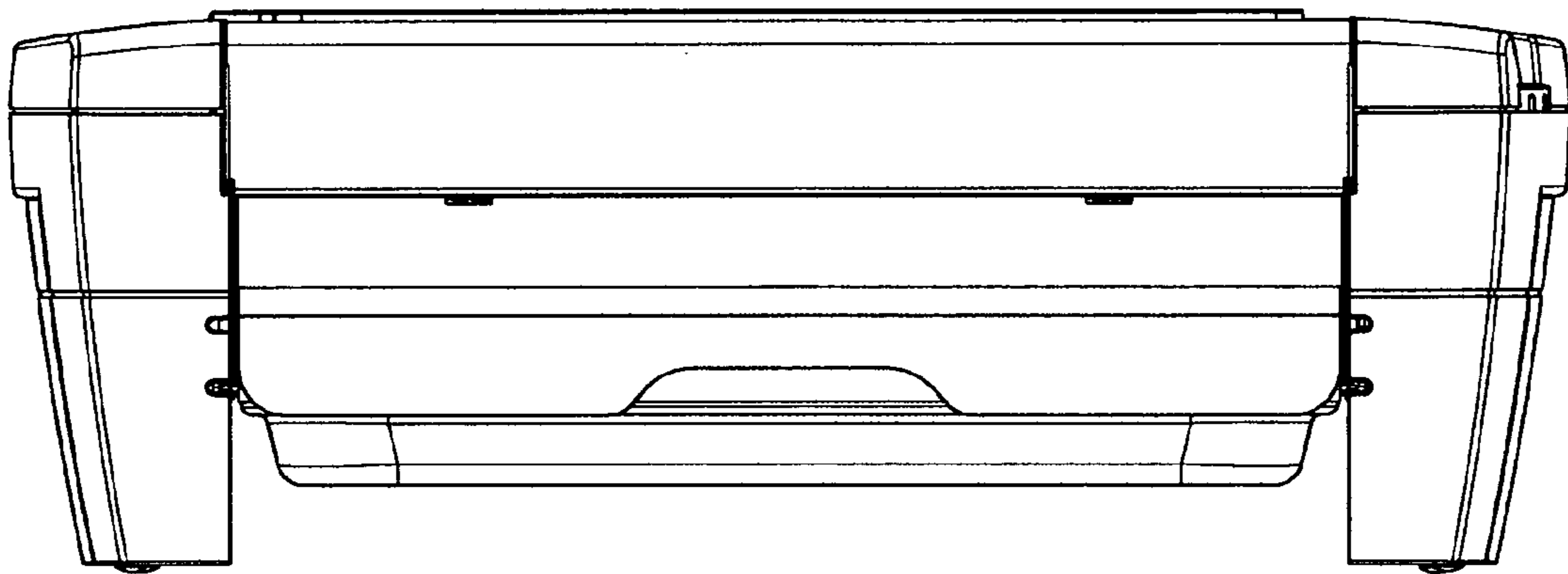


Fig. 3

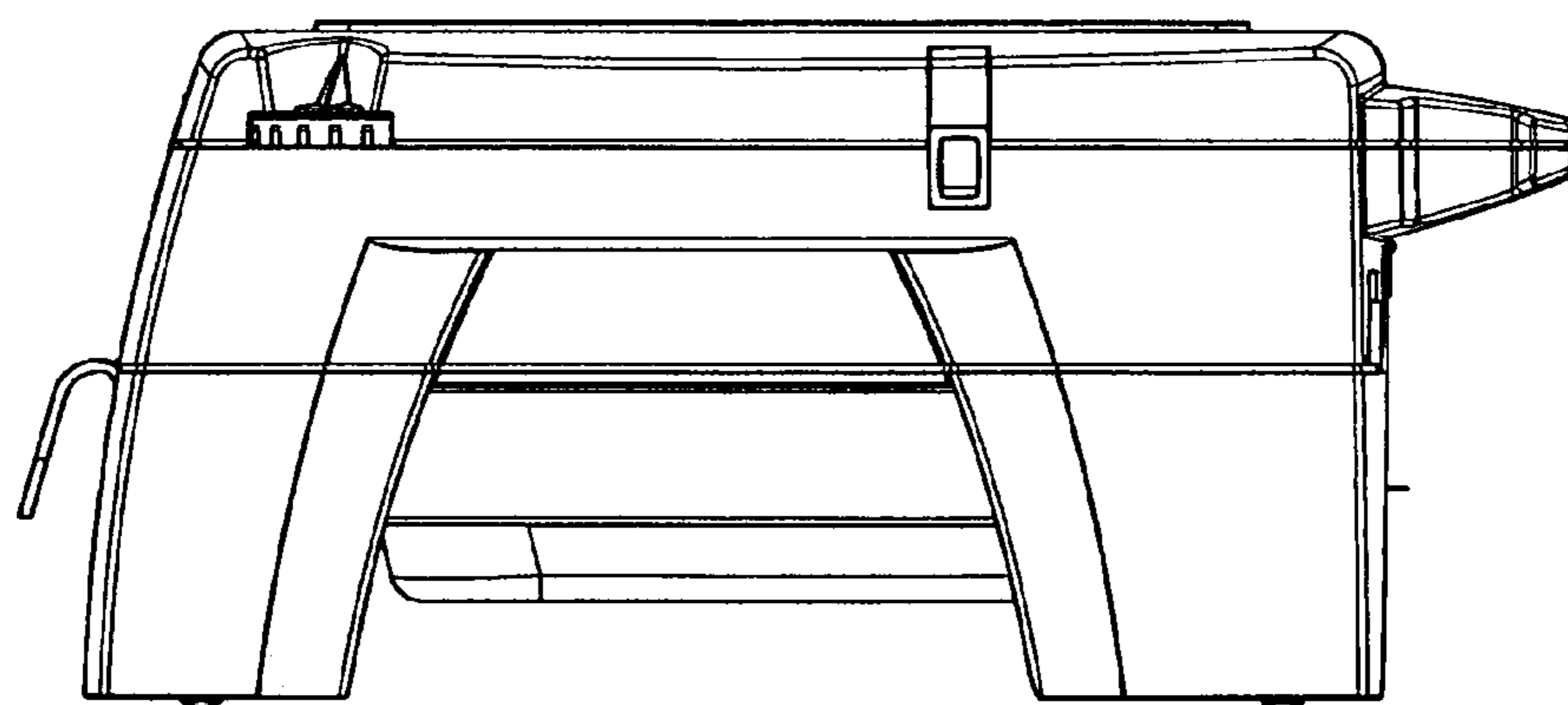


Fig. 4

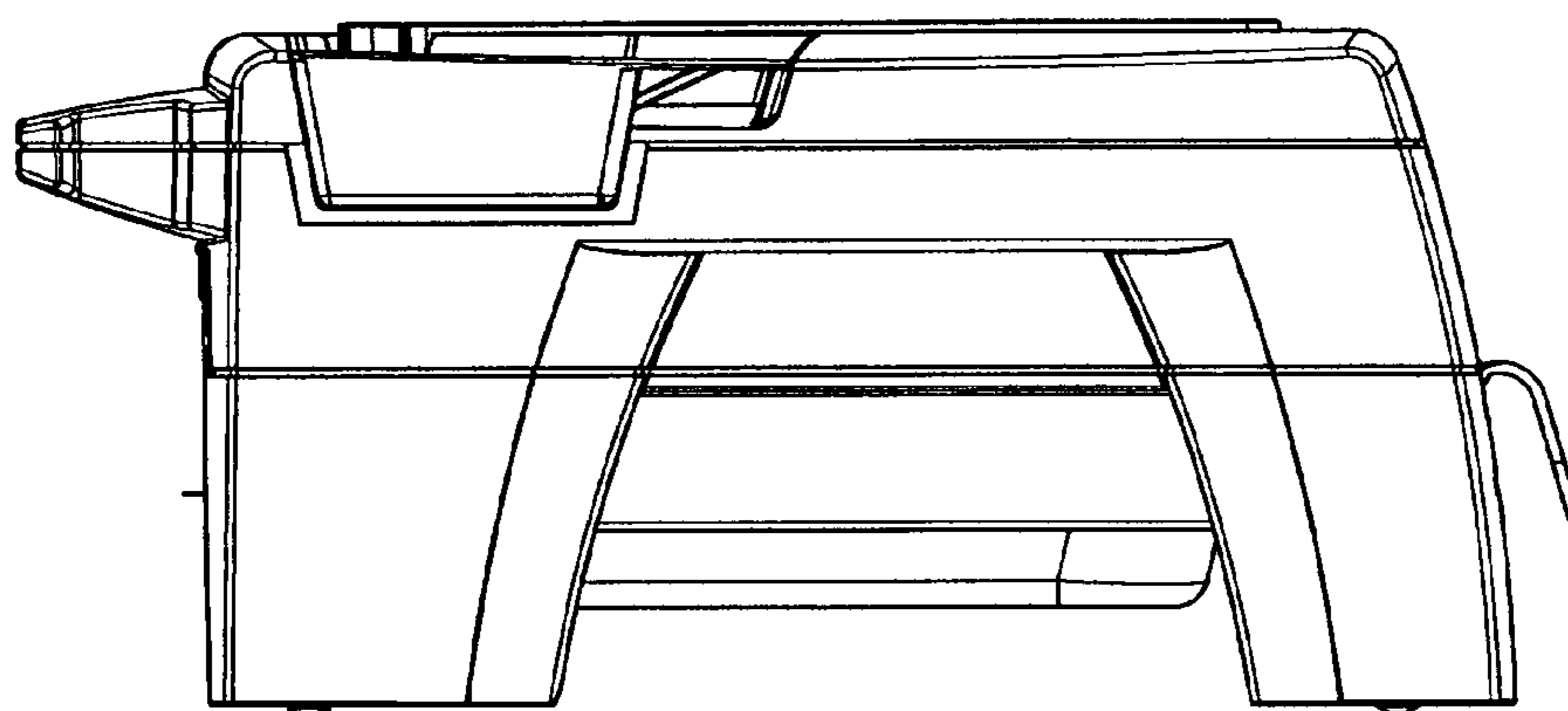


Fig. 5

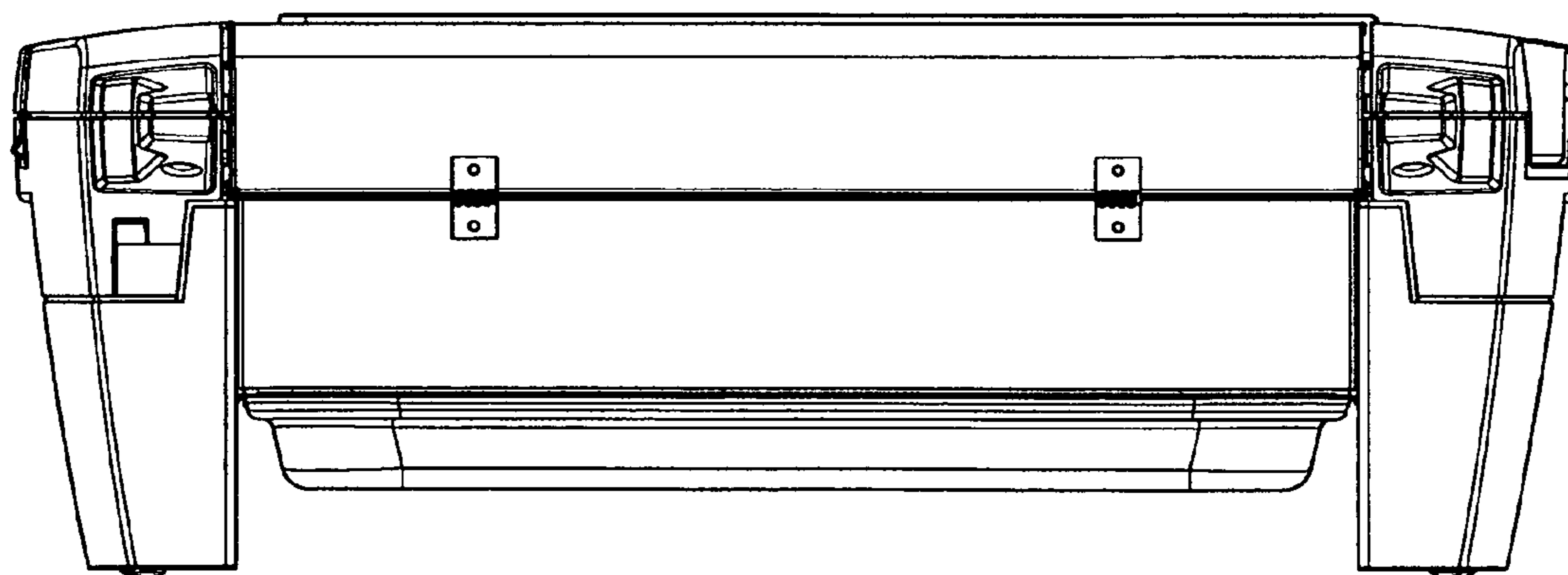


Fig. 6

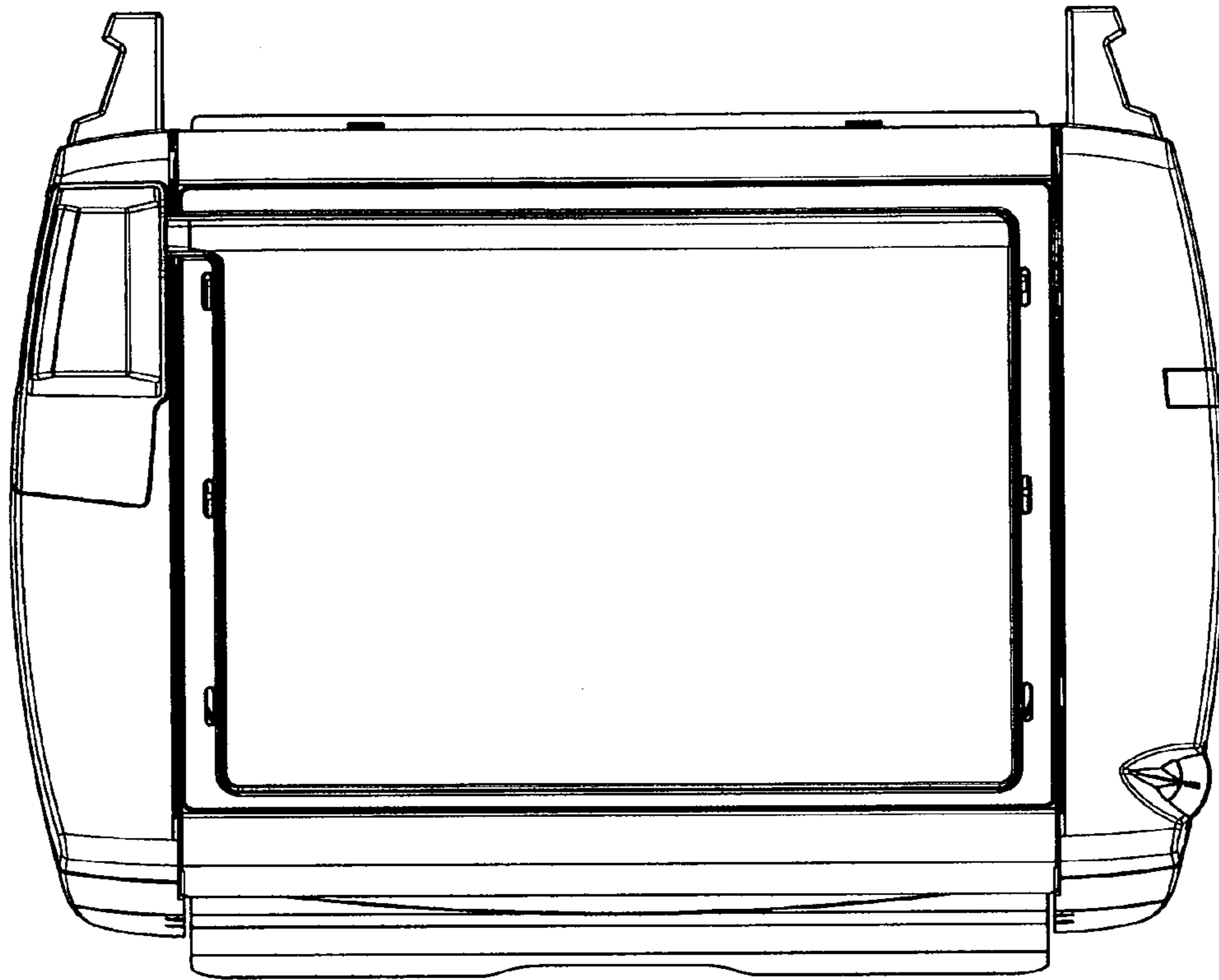


Fig. 7

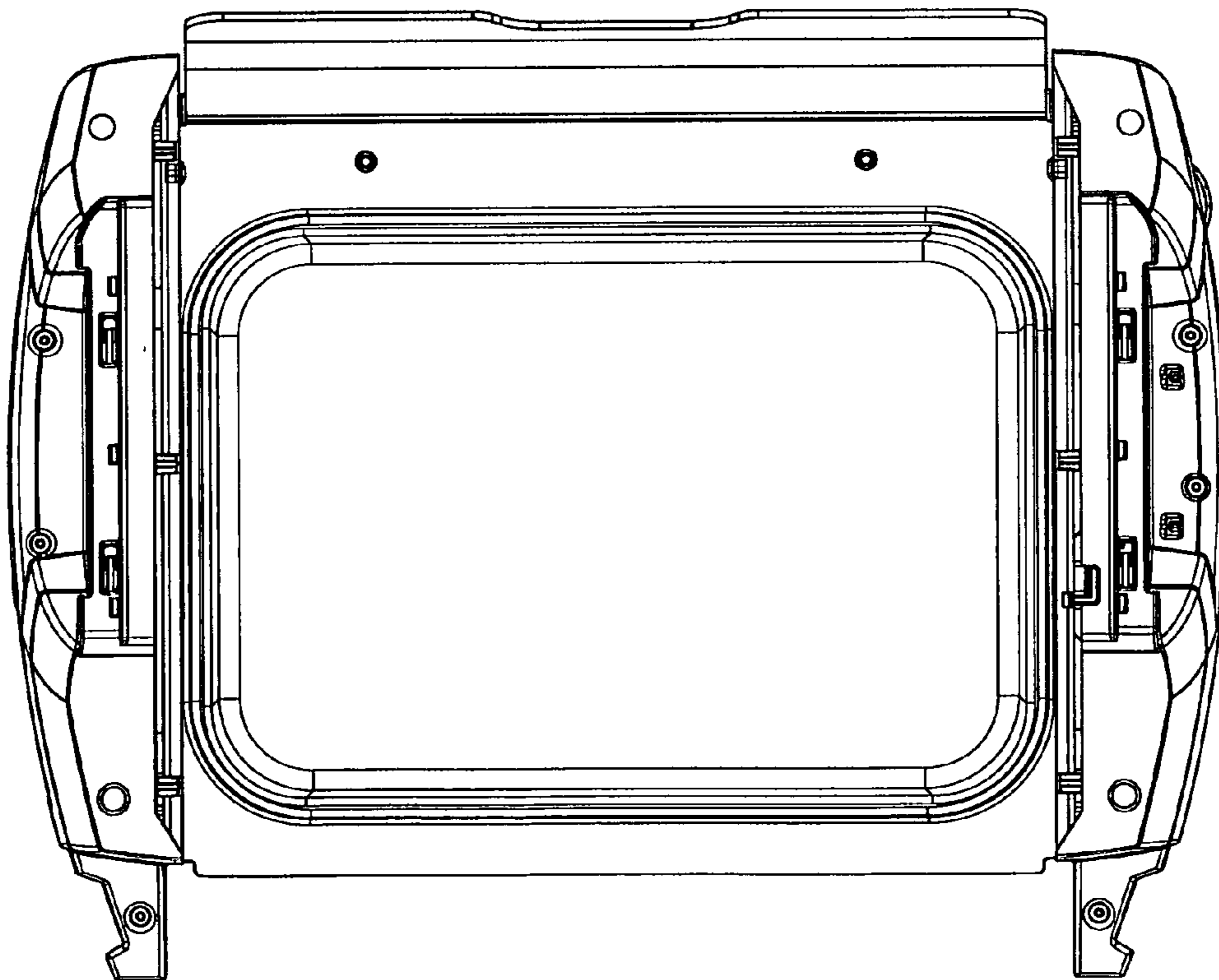
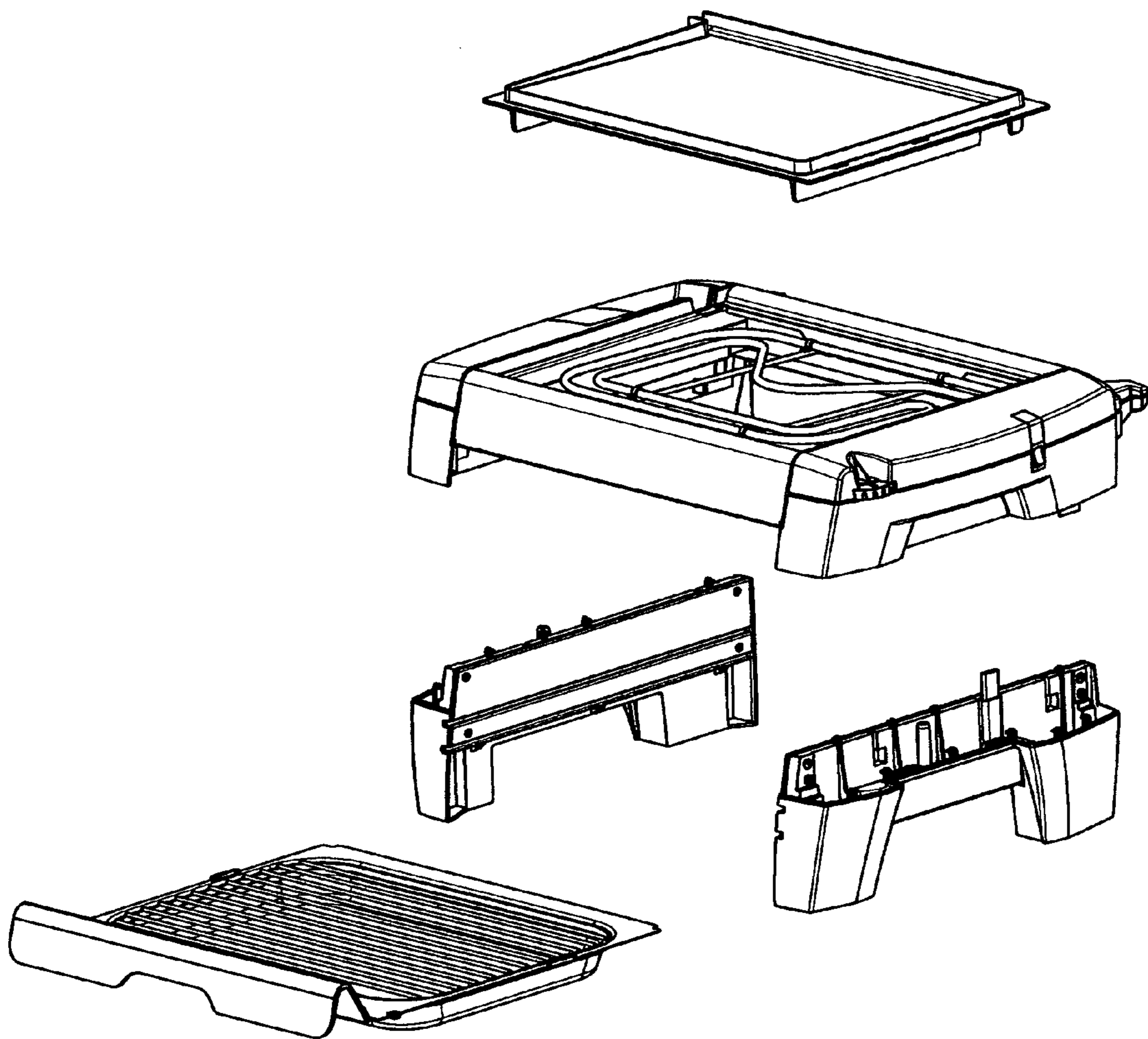


Fig. 8



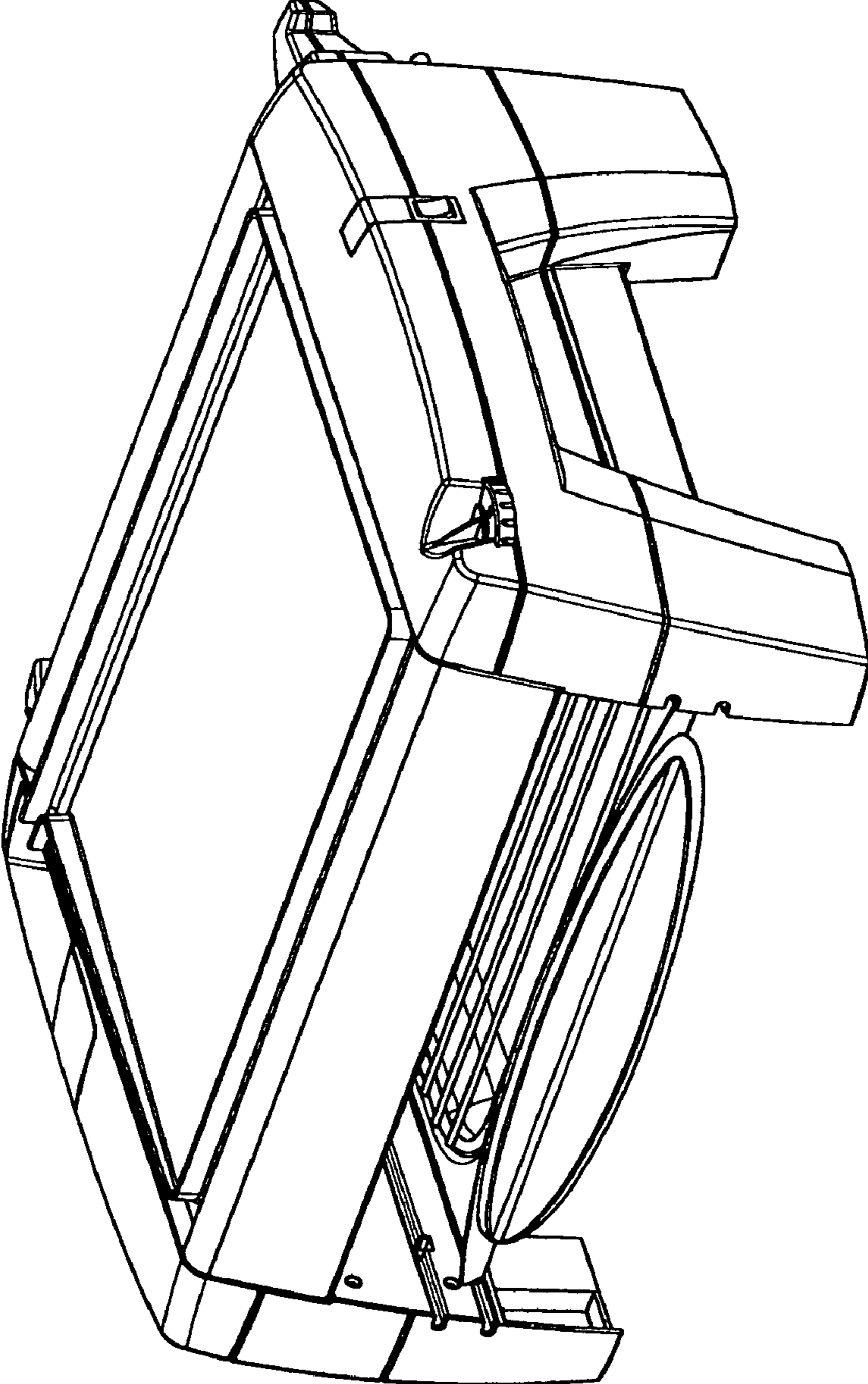


Fig. 9

Fig. 10

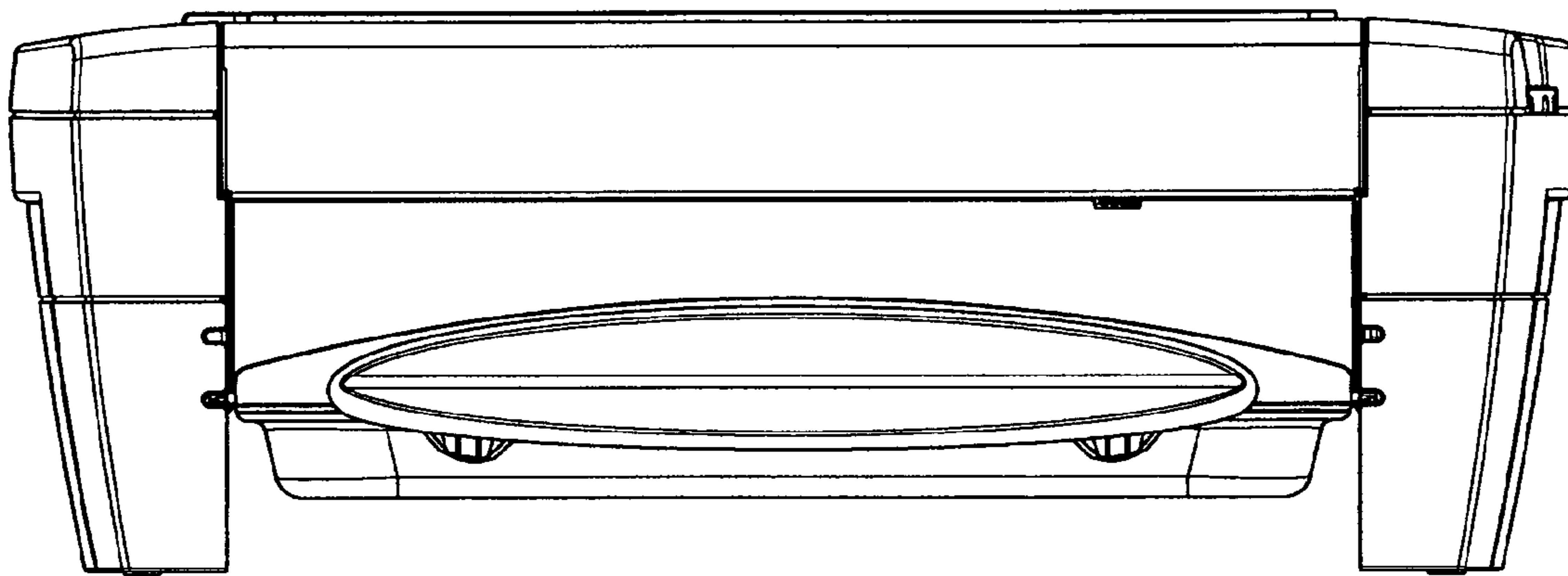


Fig. 11

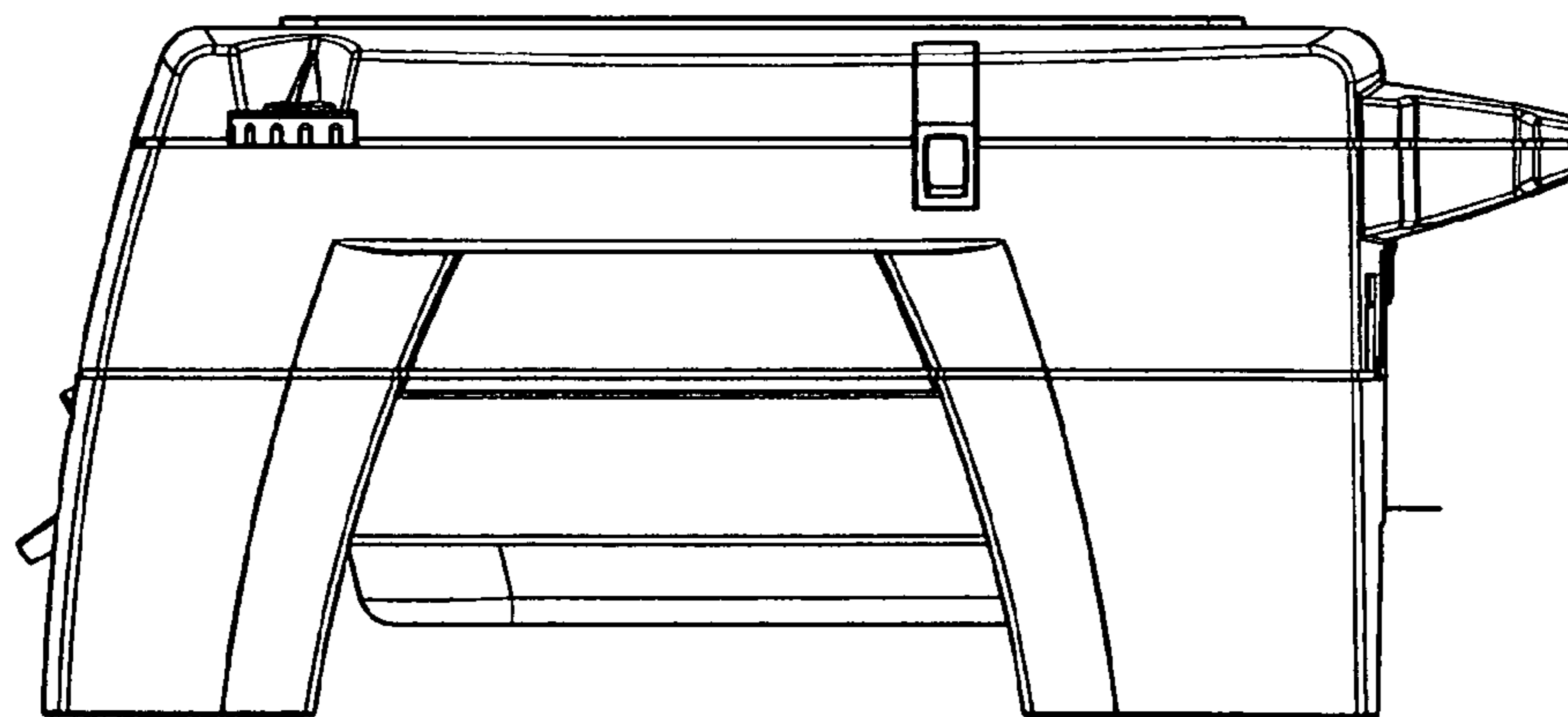


Fig. 12

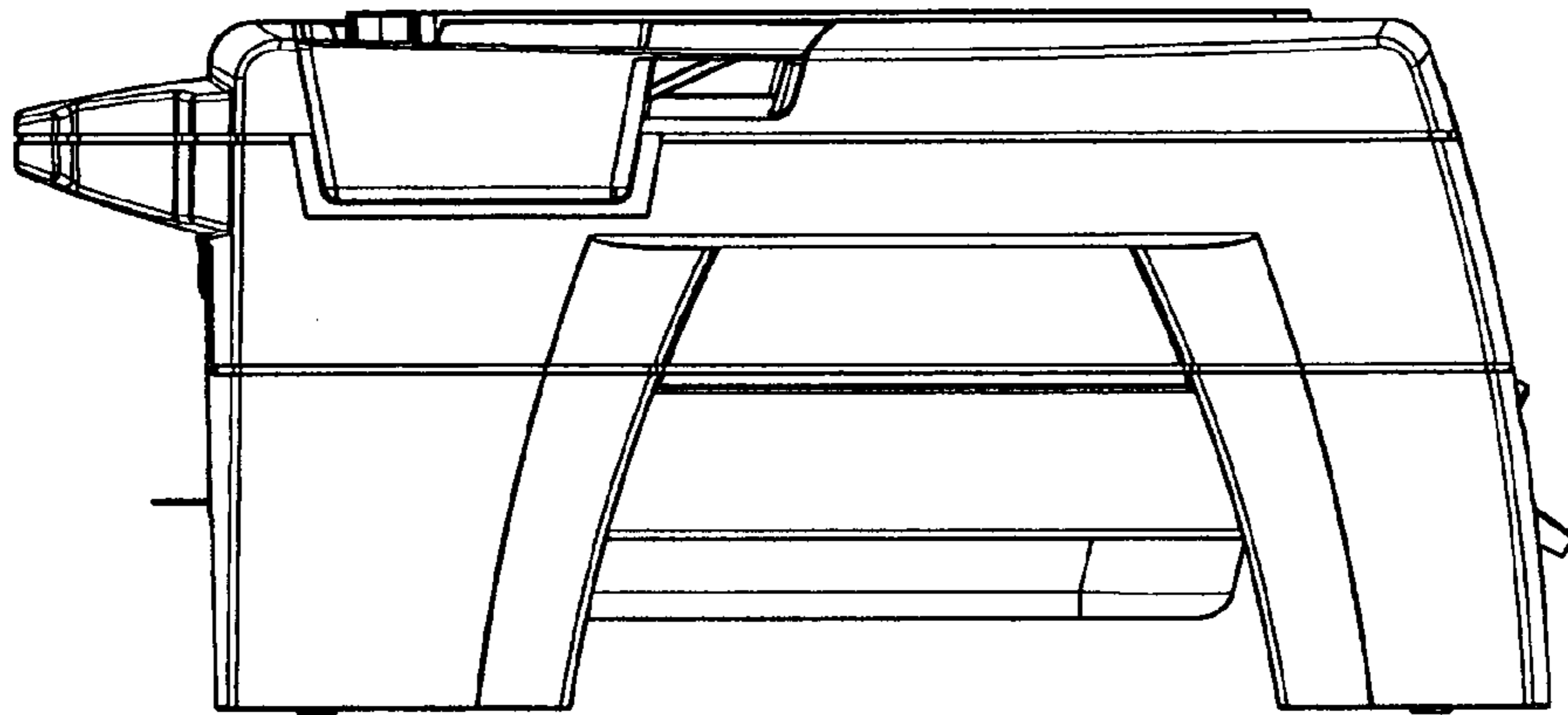


Fig. 13

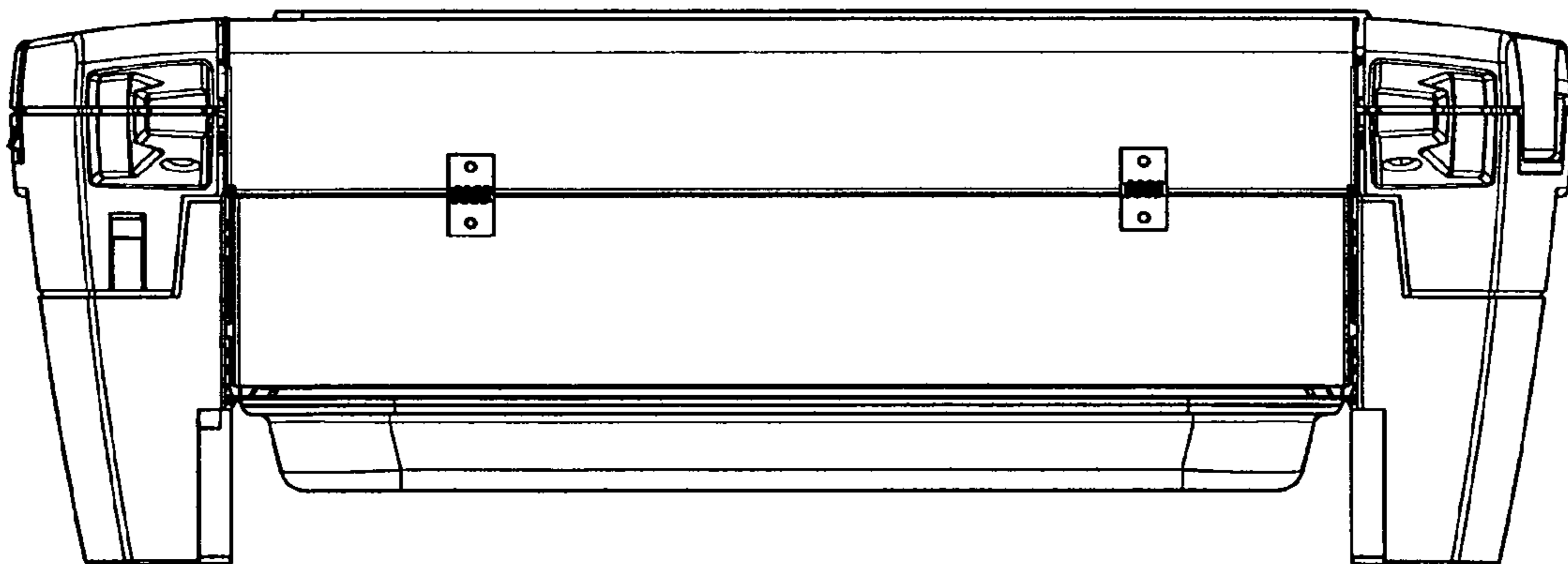


Fig. 14

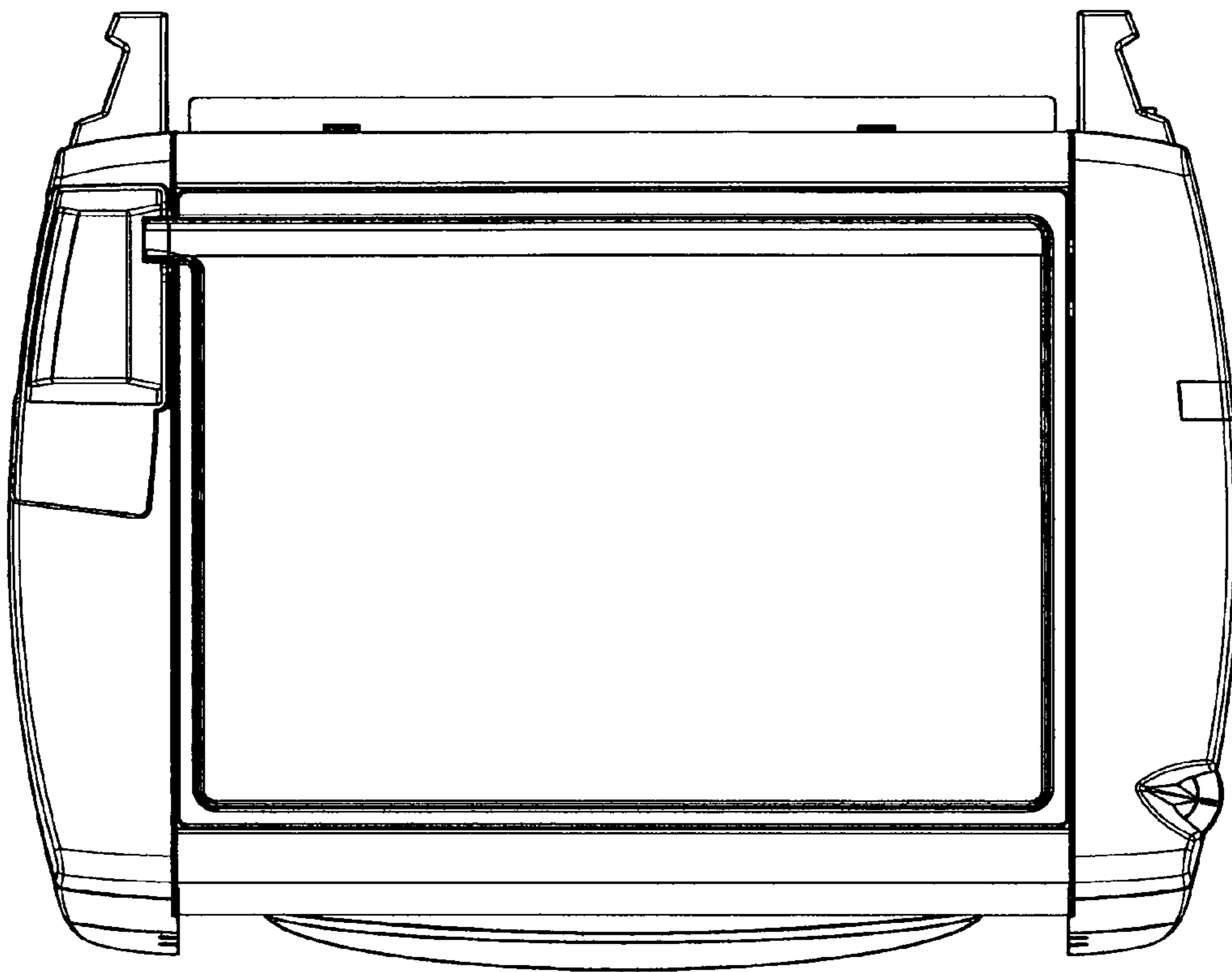


Fig. 15

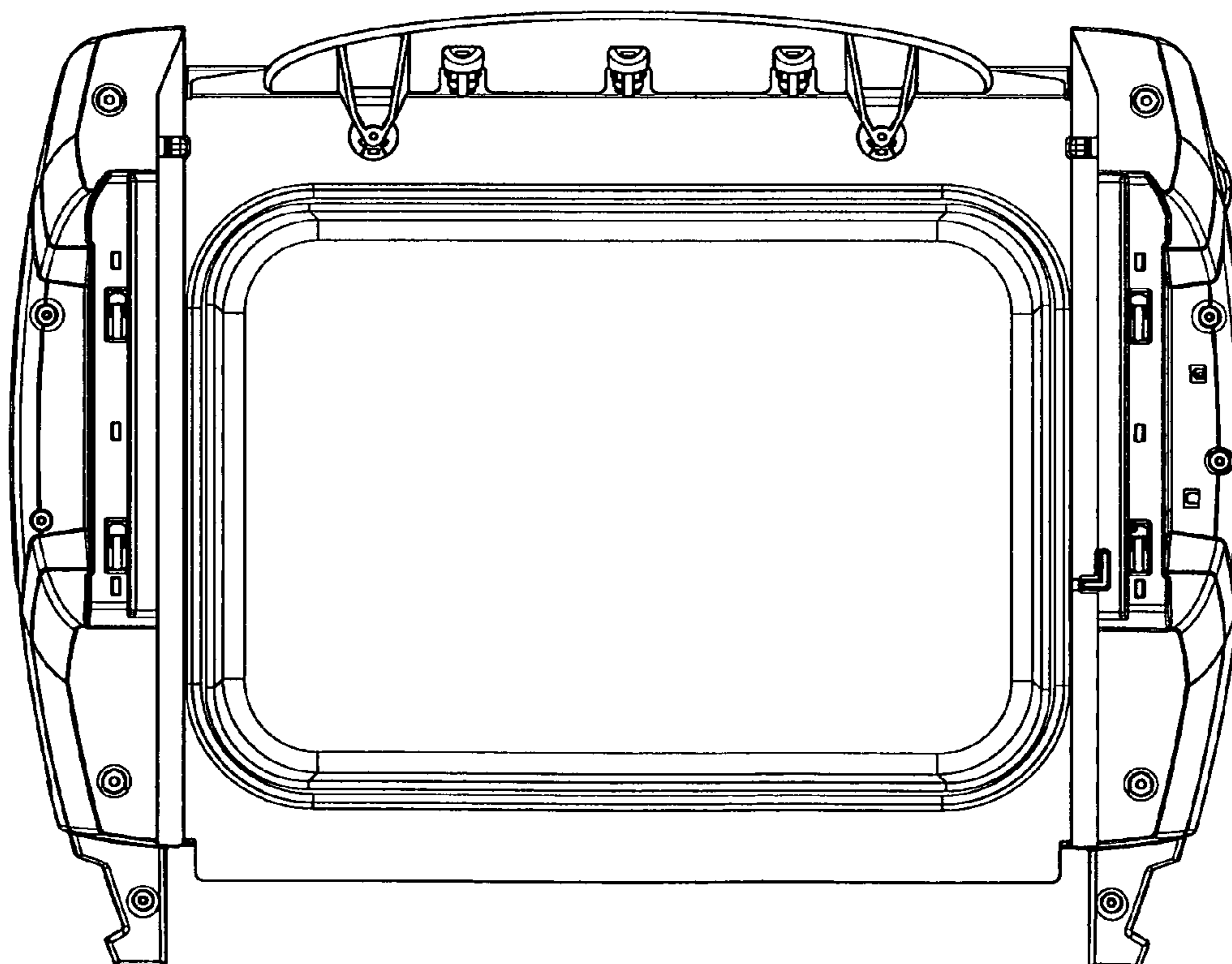


Fig. 16

