

US00D568093S

(12) **United States Design Patent**
Hocutt

(10) **Patent No.:** **US D568,093 S**

(45) **Date of Patent:** **** May 6, 2008**

(54) **PIZZA SAVER**

(76) Inventor: **Judy Hocutt**, P.O. Box 1139, Foley, AL
(US) 36535

(**) Term: **14 Years**

(21) Appl. No.: **29/290,155**

(22) Filed: **Oct. 26, 2007**

(51) **LOC (8) Cl.** **07-02**

(52) **U.S. Cl.** **D7/356**

(58) **Field of Classification Search** D7/323,
D7/325, 354-361, 387, 391, 392.1, 505, 538-542,
D7/610, 629; D9/416, 429, 452-453; 126/369,
126/275 R; 220/293, 574, 780, 912; 99/645;
312/280; 426/128

See application file for complete search history.

(56) **References Cited**

U.S. PATENT DOCUMENTS

2,758,458 A *	8/1956	Carlson	312/280
D212,843 S *	12/1968	Hart et al.	D9/452
D228,602 S *	10/1973	Swett et al.	D7/391
D233,115 S *	10/1974	Christain et al.	D7/392.1
D254,166 S *	2/1980	Christian	D7/629
4,197,940 A *	4/1980	DeRossett	220/780
D257,607 S *	12/1980	Smith	D7/542
4,375,862 A *	3/1983	Kurinsky et al.	220/293
4,385,554 A *	5/1983	Daenen et al.	99/645
D270,322 S *	8/1983	Daenen et al.	D7/629
D271,840 S *	12/1983	Powers	D7/360
D287,919 S *	1/1987	Clements	D7/392.1
D288,767 S *	3/1987	Minuti	D7/542
D290,326 S *	6/1987	Daenen et al.	D7/540
4,705,163 A *	11/1987	James	426/128
D302,367 S *	7/1989	Woodrow	D7/392.1

D307,227 S *	4/1990	Sibilio et al.	D7/610
D318,804 S *	8/1991	Ochs	D9/453
D374,820 S *	10/1996	Knoss et al.	D9/429
D384,554 S *	10/1997	Ancona et al.	D7/505
D394,005 S *	5/1998	Marijnissen	D9/416
D416,436 S *	11/1999	Miller	D7/391
D450,580 S *	11/2001	Littlejohn et al.	D9/429
D484,005 S *	12/2003	Levien	D7/610
D526,840 S *	8/2006	Carlson	D7/392.1
D548,005 S *	8/2007	Curtin	D7/392

* cited by examiner

Primary Examiner—Mimosa De

Assistant Examiner—Ricky Pham

(74) *Attorney, Agent, or Firm*—Stephen R. Greiner

(57) **CLAIM**

The ornamental design for a pizza saver, as shown and described.

DESCRIPTION

FIG. 1 is a front elevational view of a pizza saver showing my new design with the rear elevational view, the right side elevational view, and the left side elevational view being identical thereto;

FIG. 2 is a top view thereof;

FIG. 3 is a bottom view thereof;

FIG. 4 is a cross-sectional view thereof taken along line 4—4 of FIG. 2;

FIG. 5 is a perspective view thereof;

FIG. 6 is an exploded alternate view thereof; and,

FIG. 7 is an exploded second alternate view thereof.

1 Claim, 2 Drawing Sheets

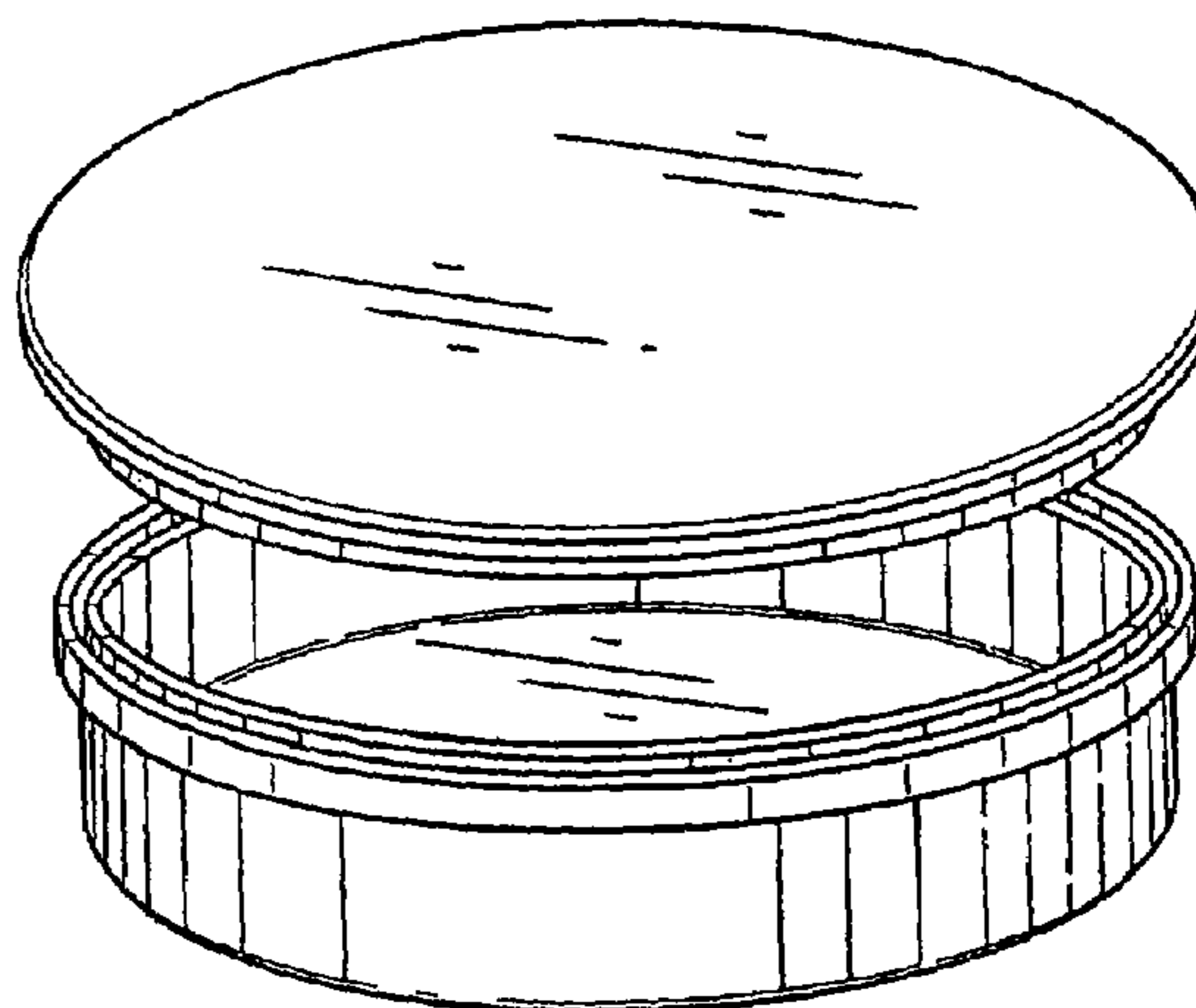
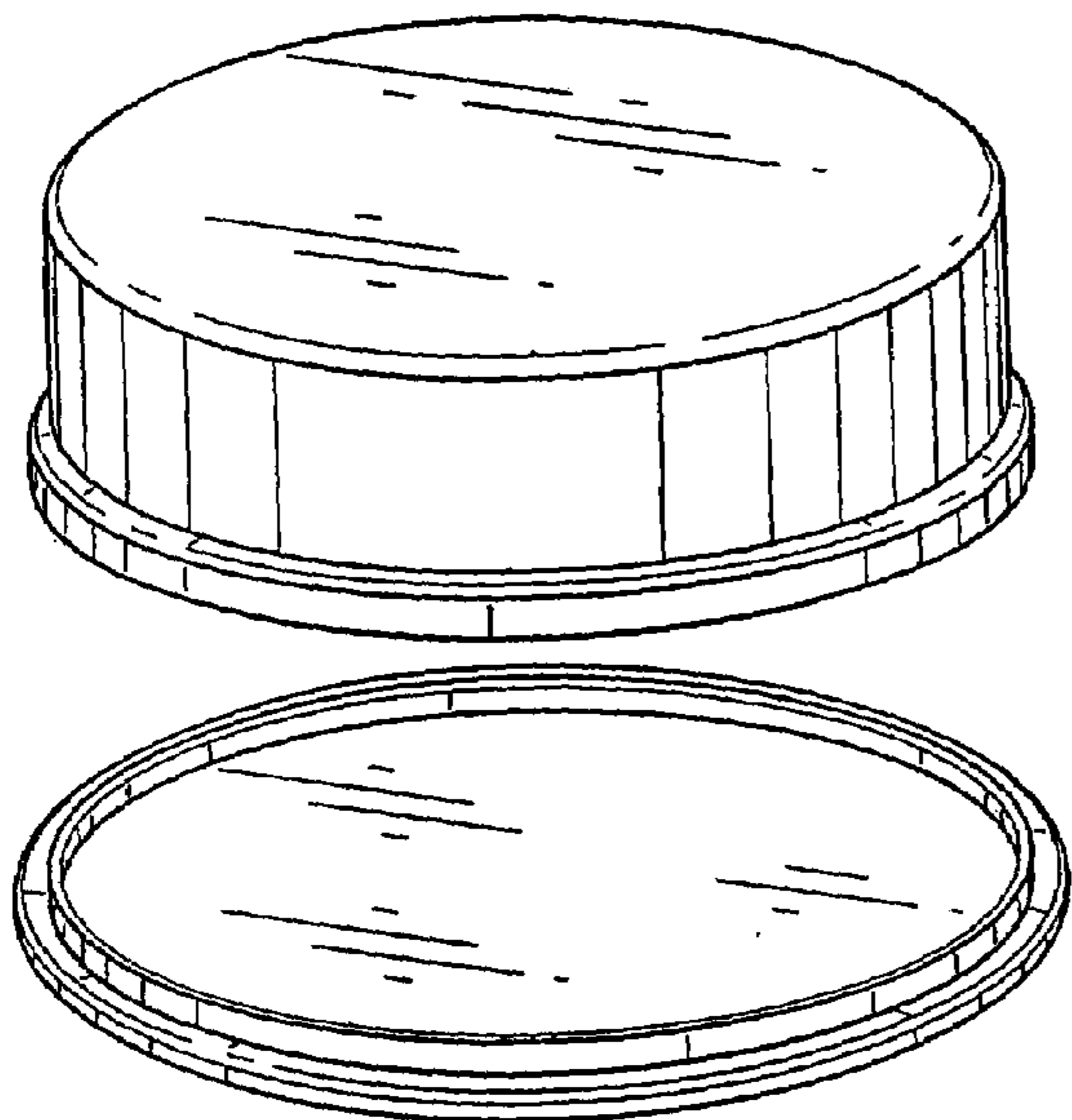


FIG. 1

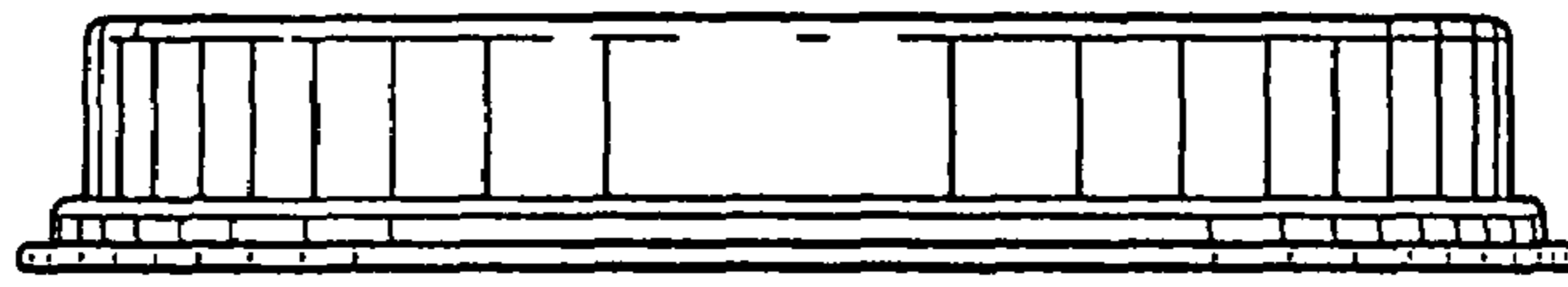


FIG. 2

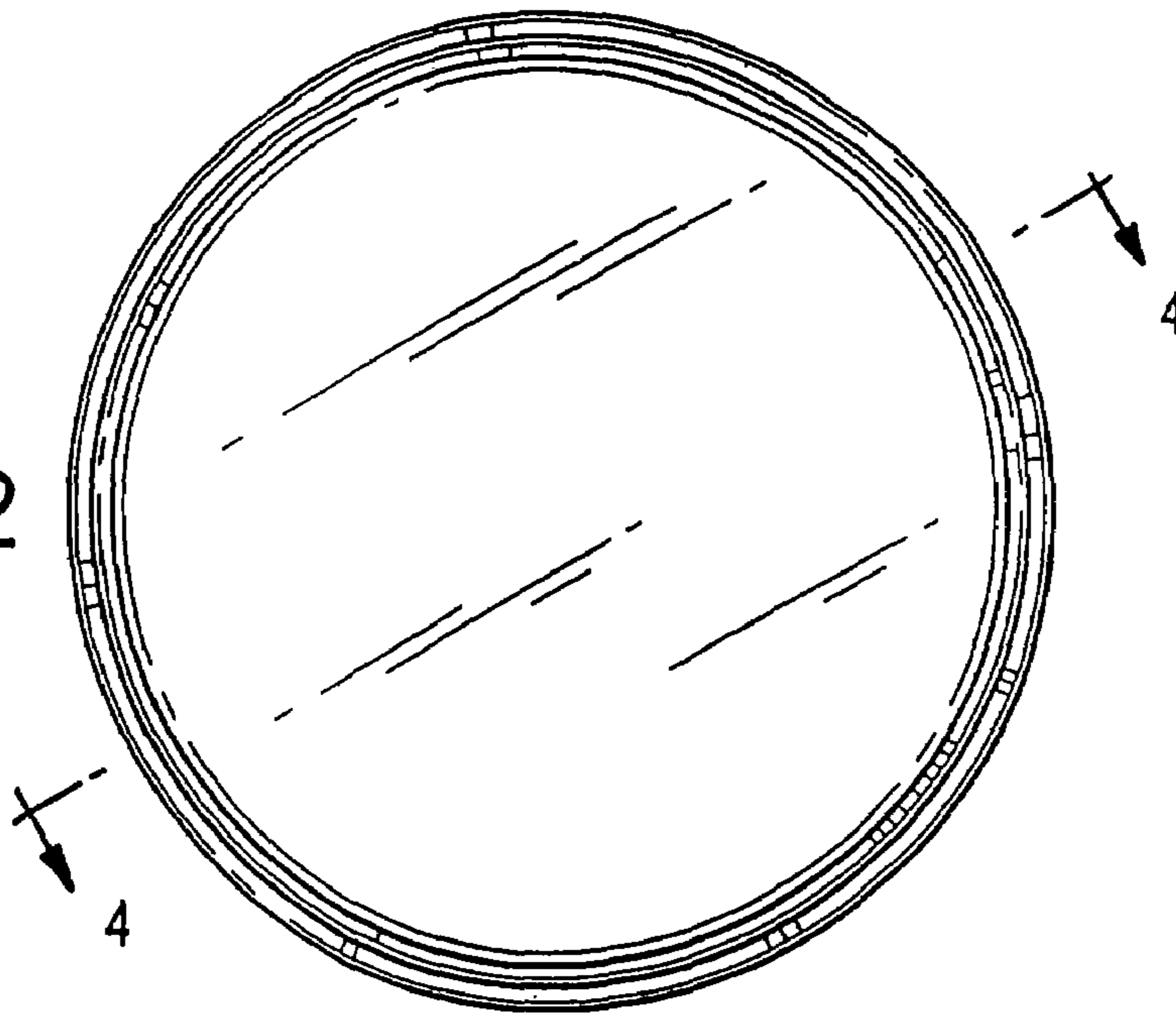


FIG. 3

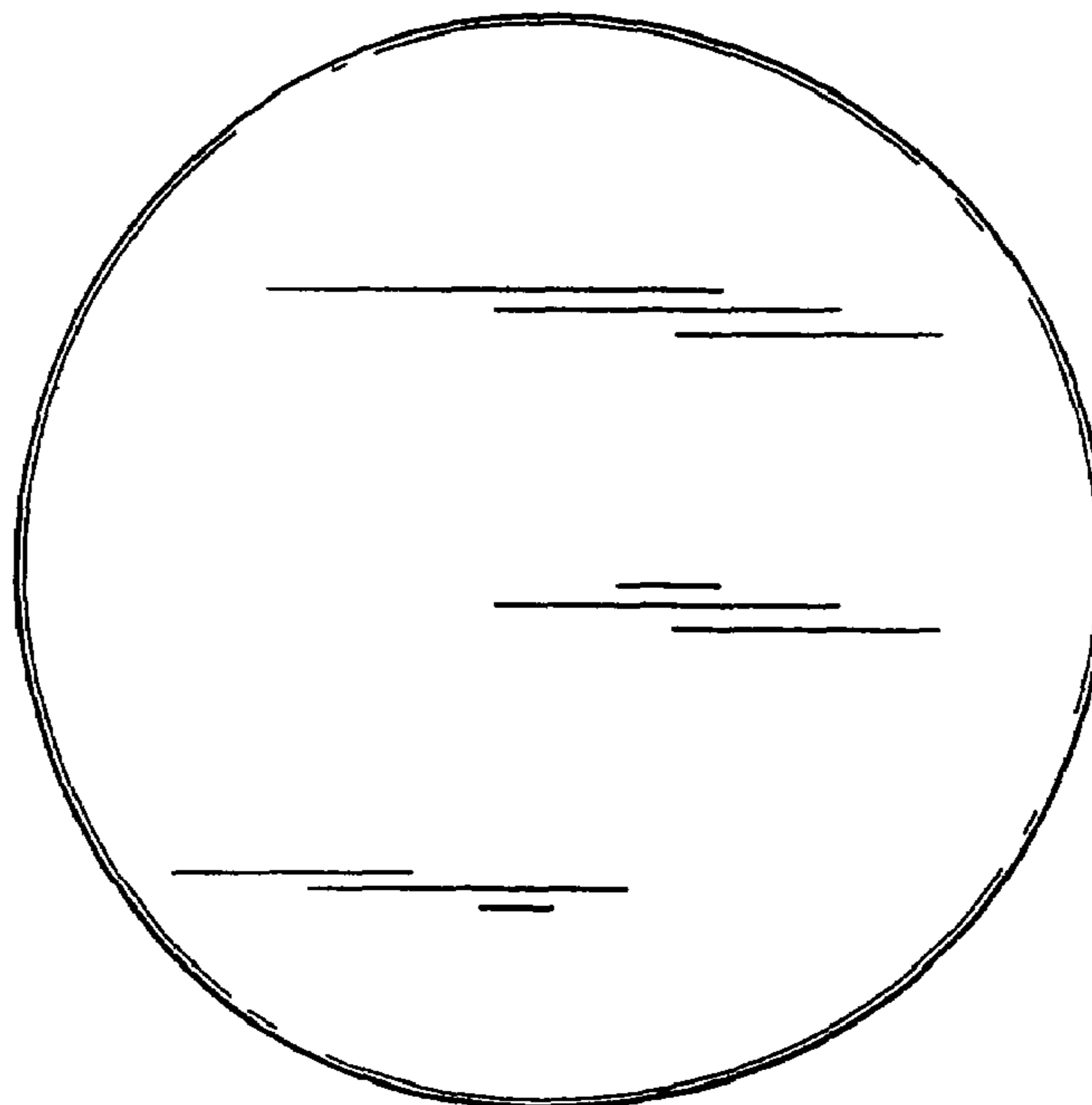


FIG. 4



FIG. 5

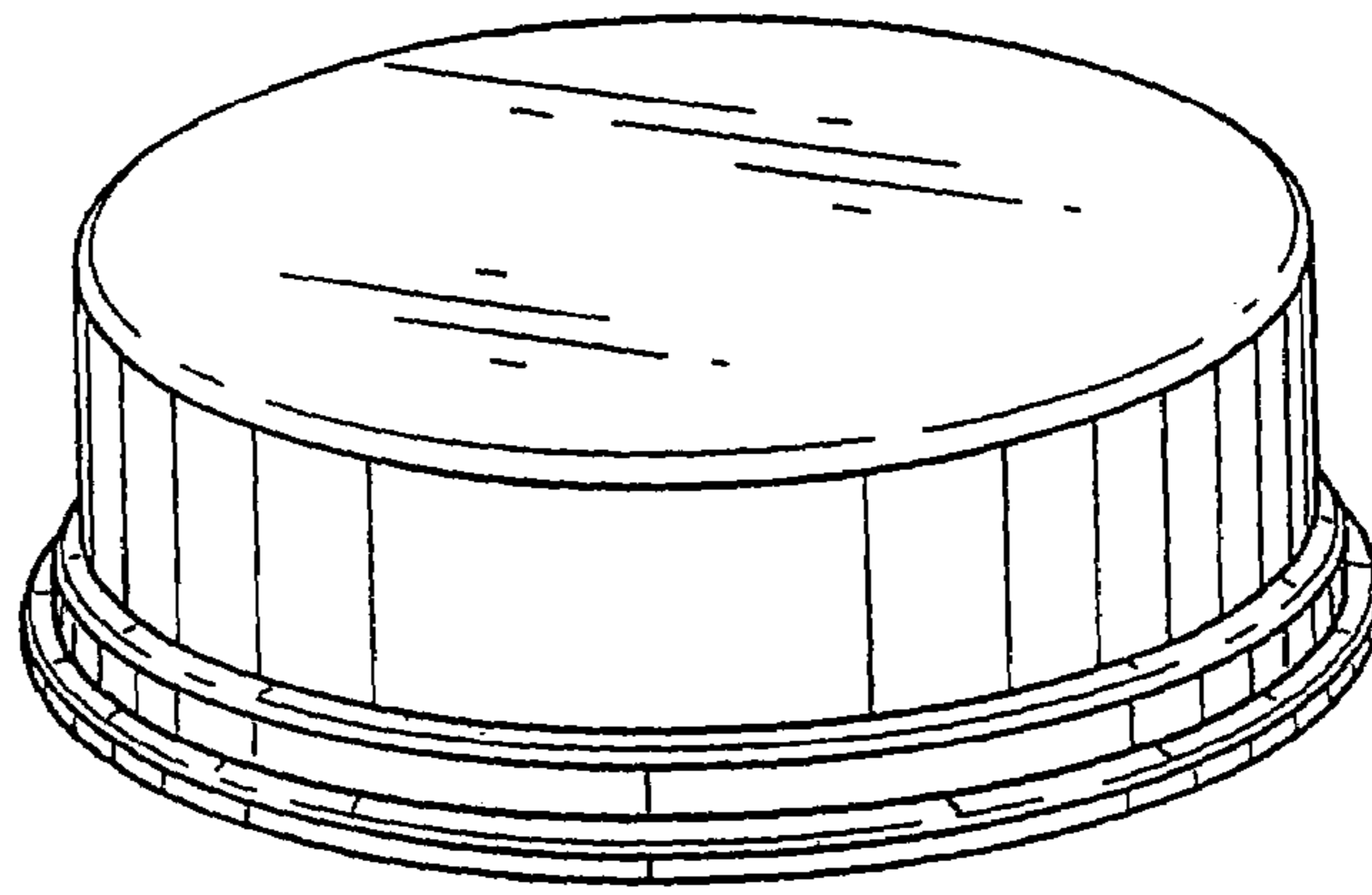


FIG. 6

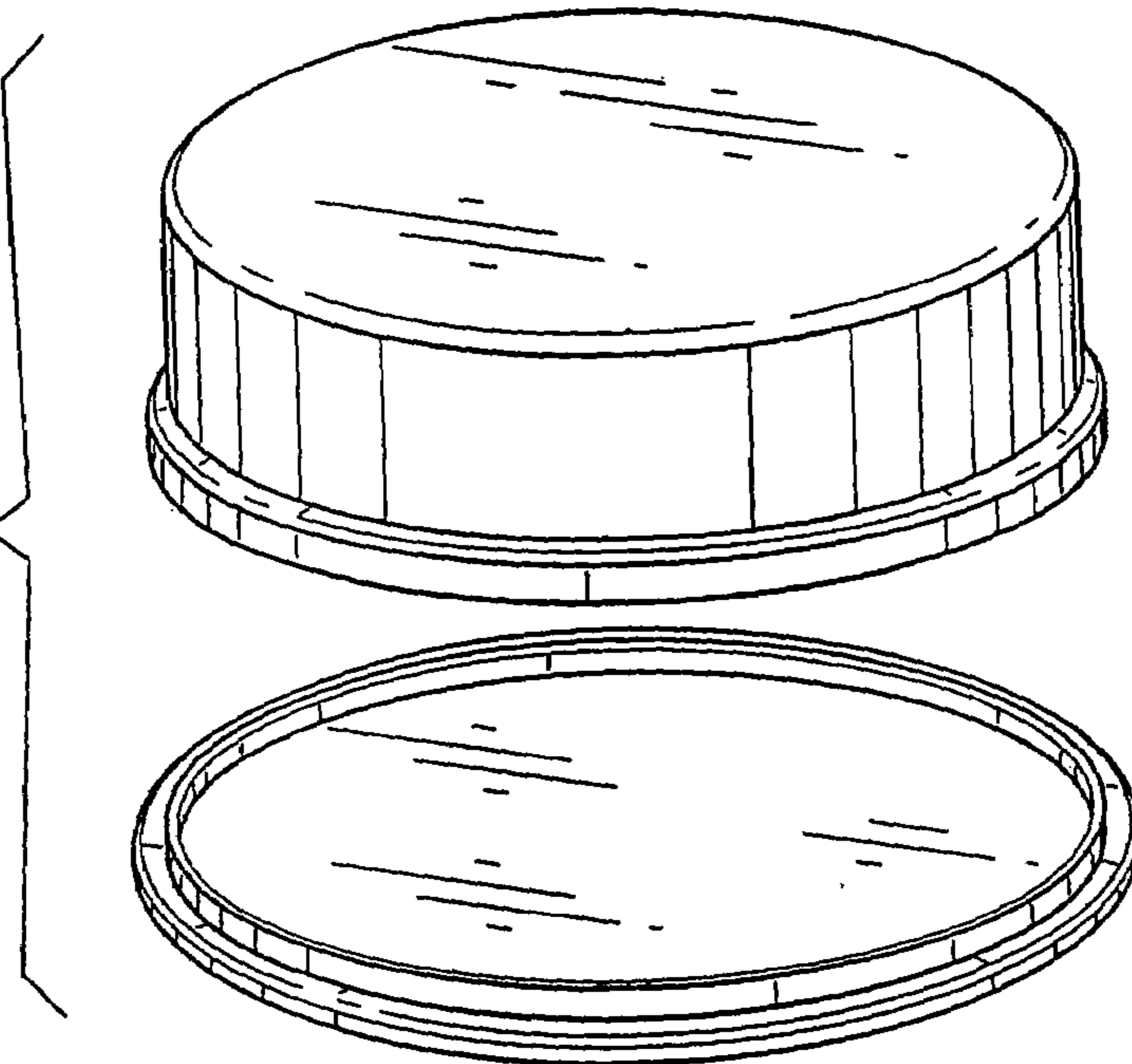


FIG. 7

