



US00D568090S

(12) **United States Design Patent**
Lam

(10) **Patent No.:** **US D568,090 S**

(45) **Date of Patent:** **** May 6, 2008**

(54) **COMPACT ELECTRIC GRILL**

(75) **Inventor:** **Hoi Tak Raymond Lam**, Kowloon (CN)

(73) **Assignee:** **South Asia International (HK) Limited**, Kowloon, Hong Kong (CN)

(**) **Term:** **14 Years**

(21) **Appl. No.:** **29/291,392**

(22) **Filed:** **Aug. 27, 2007**

(51) **LOC (8) Cl.** **07-02**

(52) **U.S. Cl.** **D7/352**

(58) **Field of Classification Search** D7/323, D7/328-332, 334-339, 352-363; 99/219, 99/331, 339, 349, 369, 372-375, 385, 386, 99/389, 425, 444, 446, 466, 601, 618, 620; 219/524, 525, 620-622, 732-734

See application file for complete search history.

(56) **References Cited**

U.S. PATENT DOCUMENTS

- D413,759 S * 9/1999 Carrere D7/352
- D439,796 S * 4/2001 Edwards et al. D7/352
- D455,598 S * 4/2002 Pai D7/337
- D489,566 S * 5/2004 Moine D7/352
- D502,630 S * 3/2005 Lubowicki D7/352
- D507,929 S * 8/2005 Steinberg et al. D7/352

- D509,098 S * 9/2005 Steinberg et al. D7/352
- D510,677 S * 10/2005 Steinberg et al. D7/352
- D527,941 S * 9/2006 Serra D7/352
- D541,581 S * 5/2007 Moore D7/352
- D548,000 S * 8/2007 Mangano D7/352
- D553,423 S * 10/2007 Lam D7/352
- 2005/0139086 A1 * 6/2005 McHutchison 99/389

* cited by examiner

Primary Examiner—Caron D. Veynar

Assistant Examiner—Ricky Pham

(74) *Attorney, Agent, or Firm*—Alix, Yale & Ristas, LLP

(57) **CLAIM**

The ornamental design for a compact electric grill, as shown.

DESCRIPTION

FIG. 1 is a front perspective view of the compact electric grill showing my new design;

FIG. 2 is a front view thereof;

FIG. 3 is a rear view thereof;

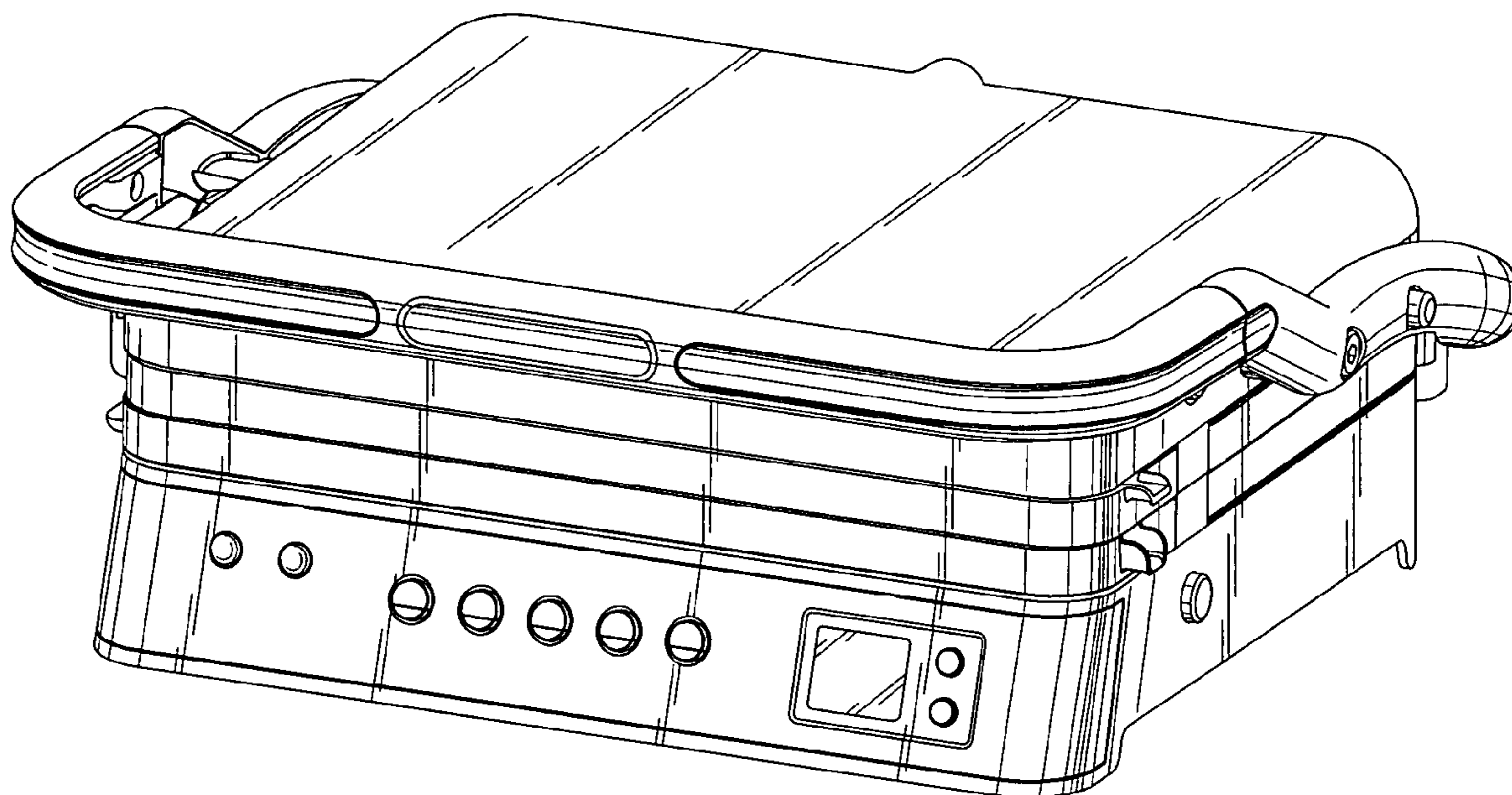
FIG. 4 is a left side view thereof;

FIG. 5 is a right side view thereof;

FIG. 6 is a top plan view thereof; and,

FIG. 7 is a bottom plan view thereof.

1 Claim, 5 Drawing Sheets



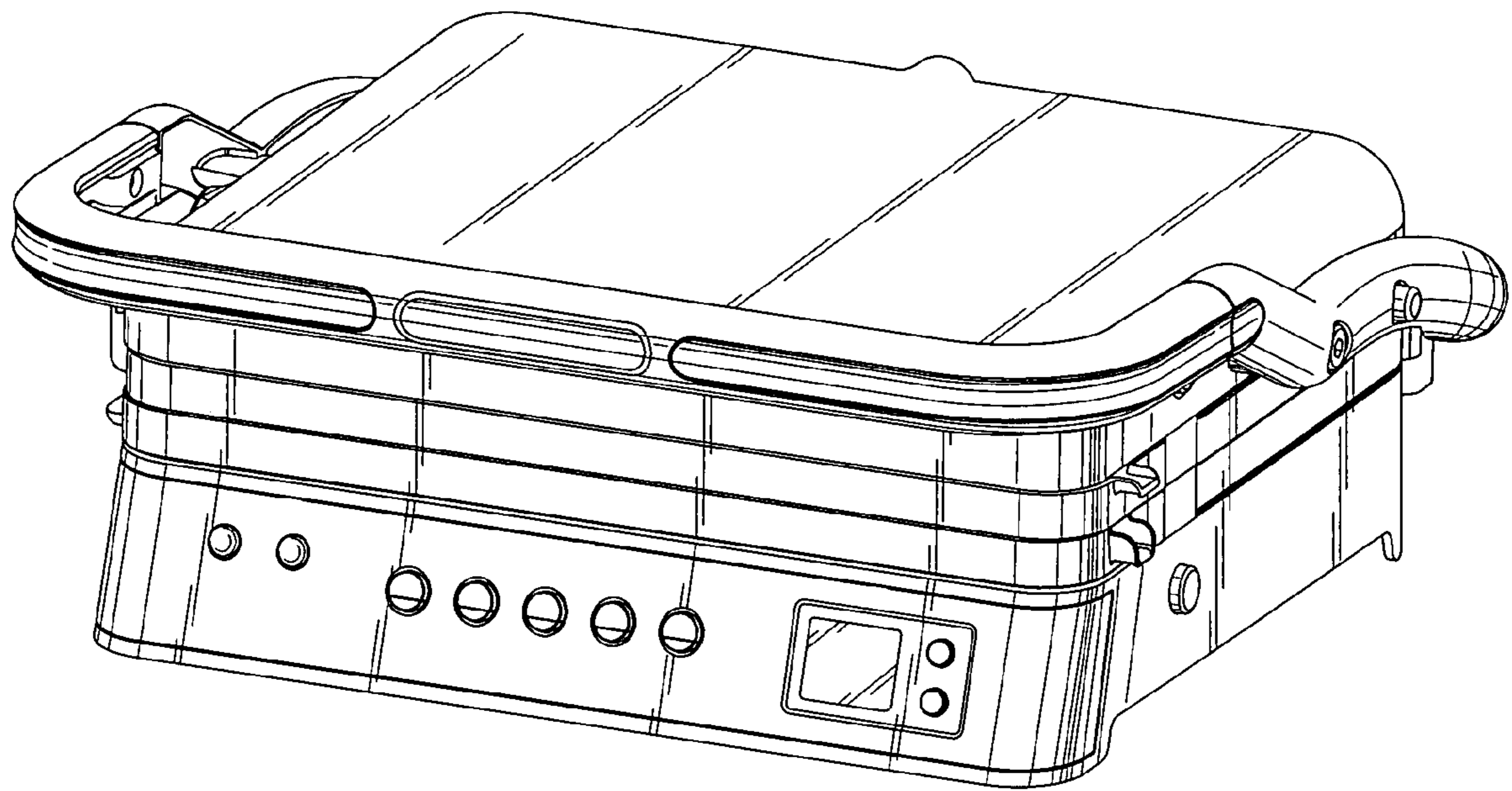


FIG. 1

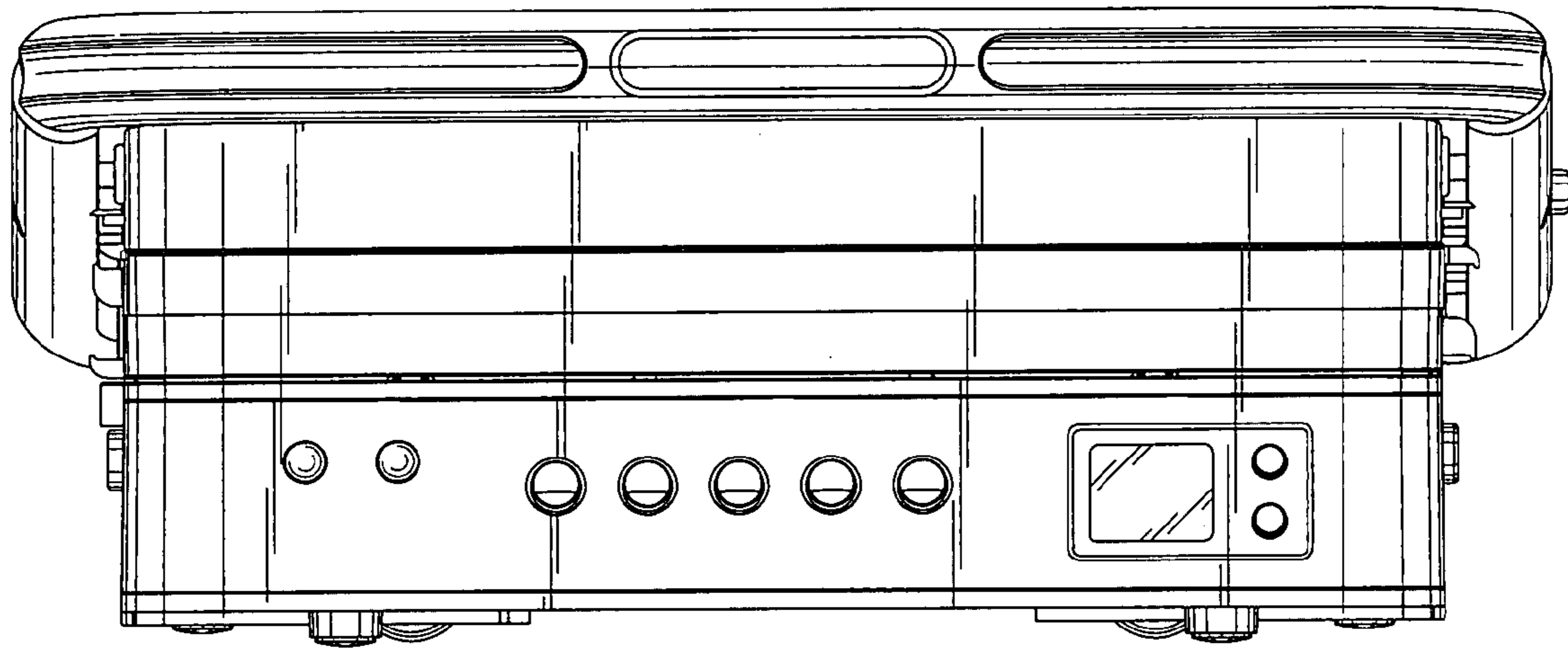


FIG. 2

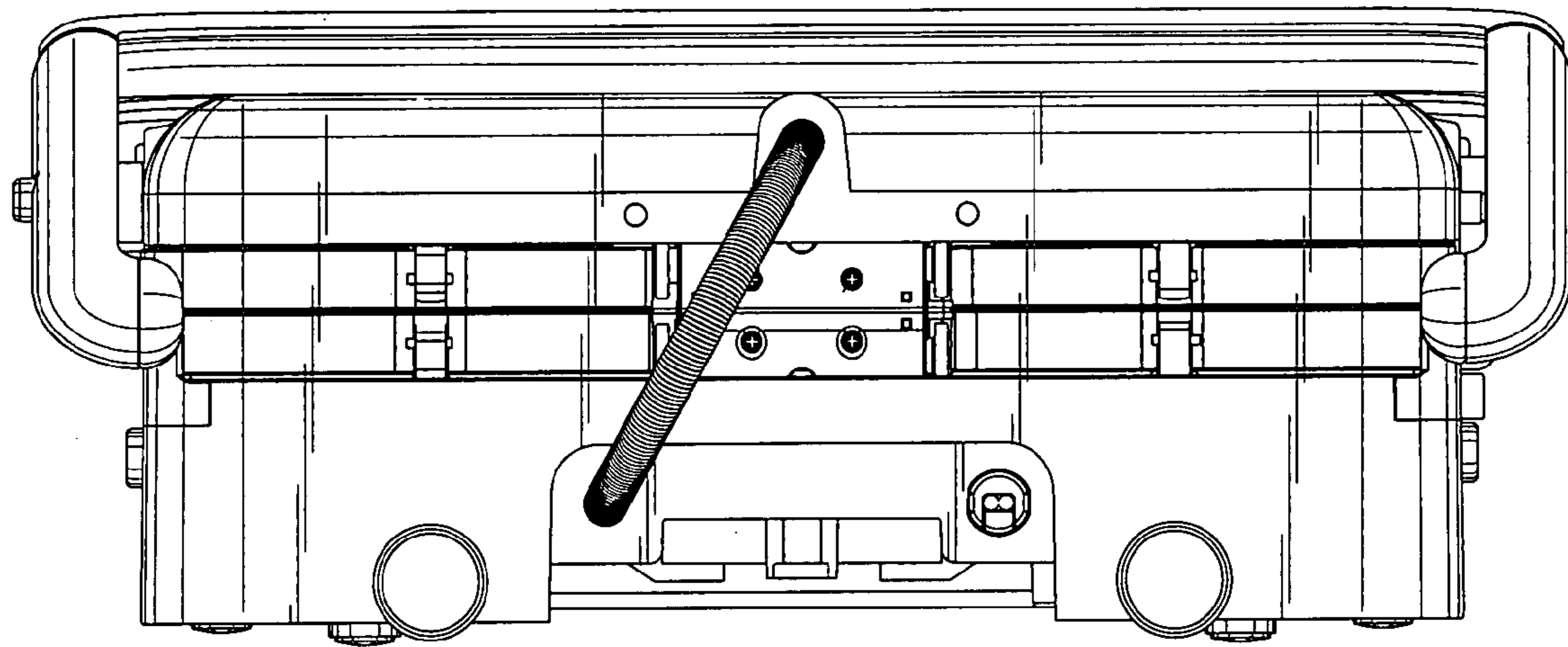


FIG. 3

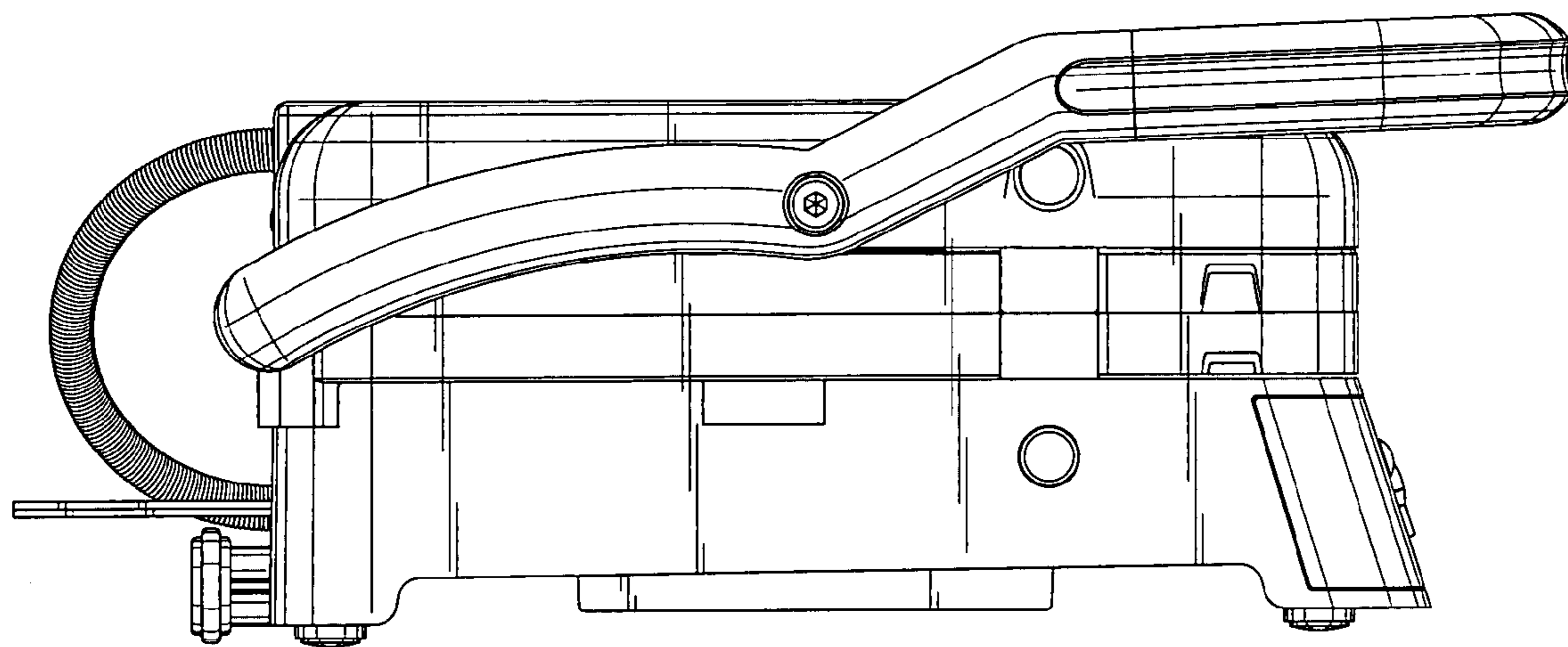


FIG. 4

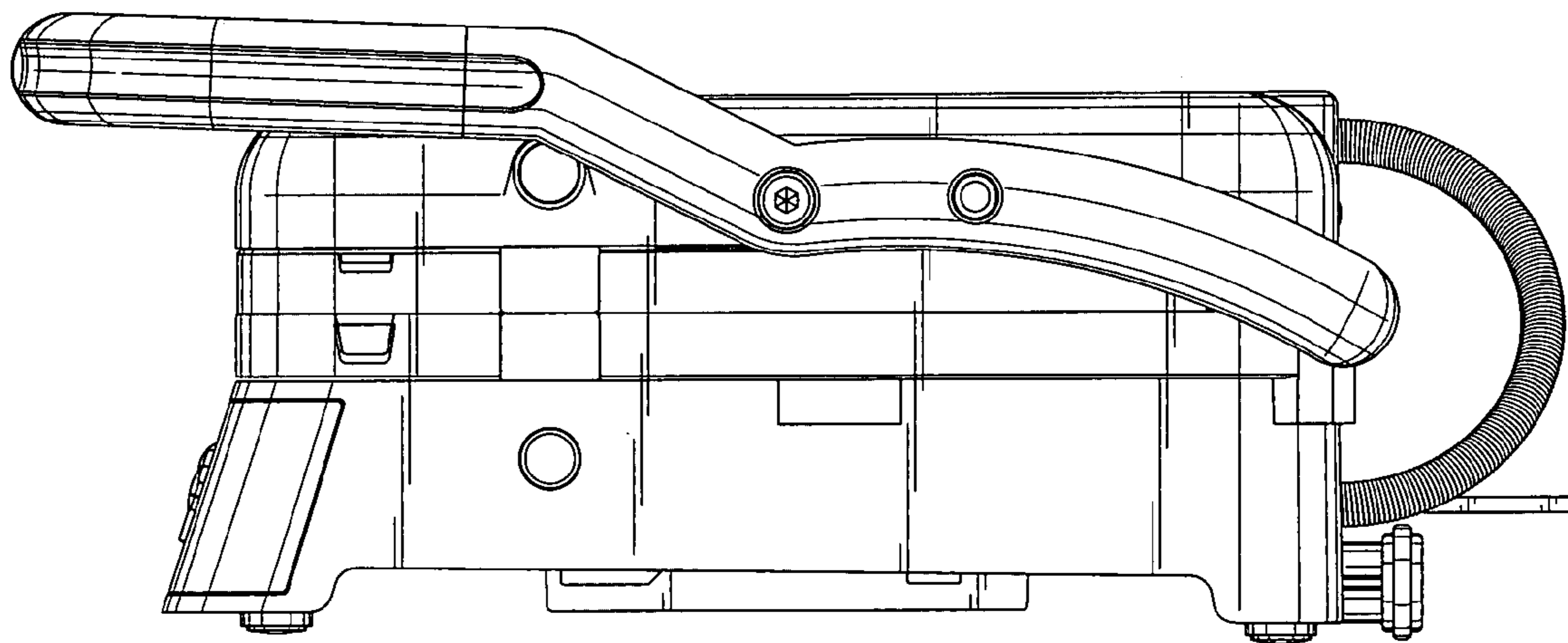


FIG. 5



FIG. 6

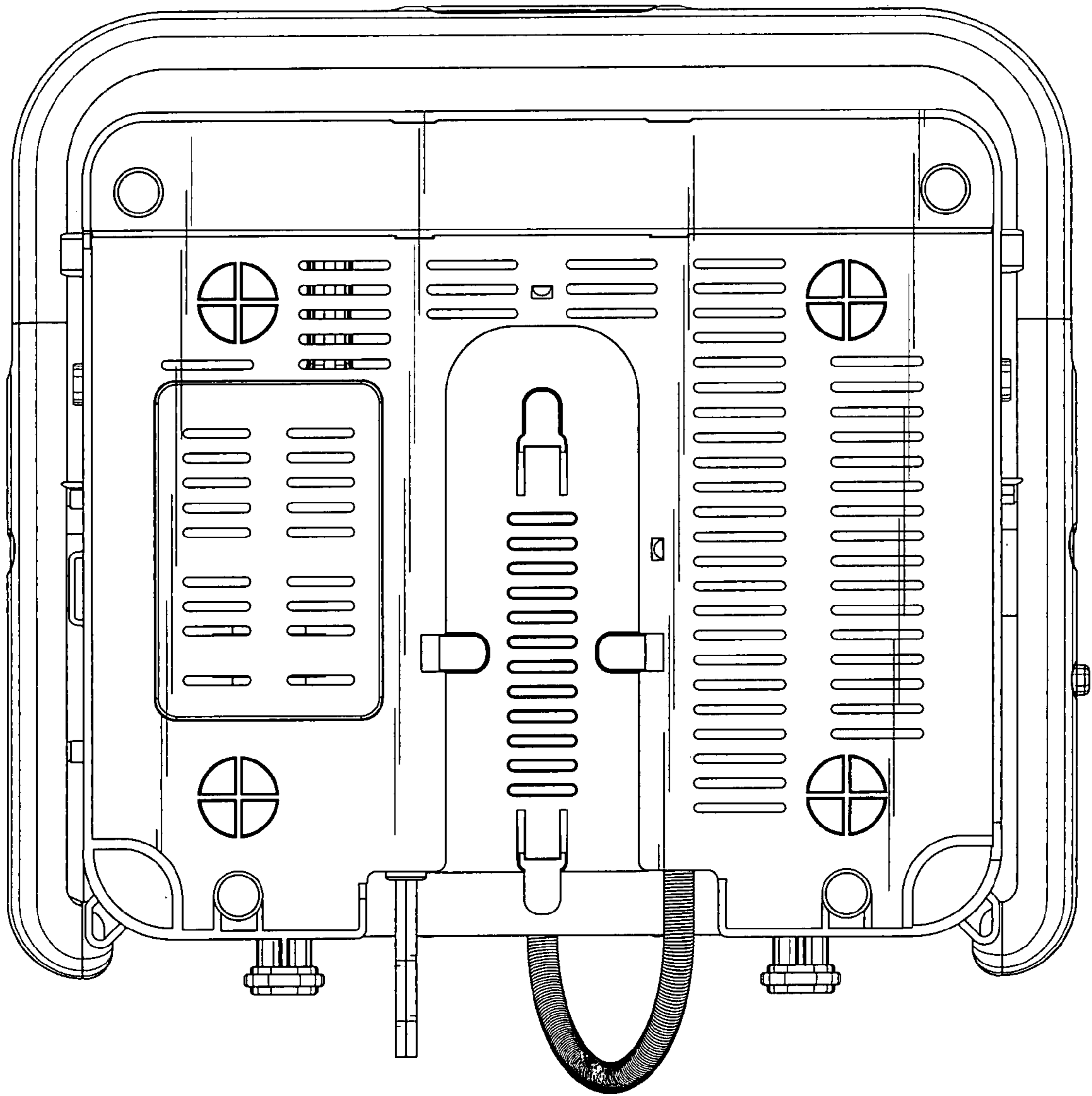


FIG. 7