



US00D568089S

(12) **United States Design Patent** (10) **Patent No.:** **US D568,089 S**  
**Hillmann et al.** (45) **Date of Patent:** **\*\* \*May 6, 2008**

(54) **COMBINATION STEAMER**

(57) **CLAIM**

(75) Inventors: **Johannes Hillmann**, Neu-Ulm (DE);  
**Frank Förster**, Oberkirch (DE)

The ornamental design for a combination steamer, as shown and described.

(73) Assignee: **Eloma GmbH Innovative Koch -und Backtechnik**, Maisach (DE)

**DESCRIPTION**

(\*) Notice: This patent is subject to a terminal disclaimer.

FIG. 1 is a perspective view of a combination steamer.

(\*\*) Term: **14 Years**

FIG. 2 is a front elevation view of the combination steamer of FIG. 1.

(21) Appl. No.: **29/272,453**

FIG. 3 is a back elevation view of the combination steamer of FIG. 1.

(22) Filed: **Feb. 8, 2007**

FIG. 4 is a left side elevation view of the combination steamer of FIG. 1.

(30) **Foreign Application Priority Data**

FIG. 5 is a right side elevation view of the combination steamer of FIG. 1.

Aug. 8, 2006 (EM) ..... 000572060

FIG. 6 is a top plan view of the combination steamer of FIG. 1.

(51) **LOC (8) Cl.** ..... **07-02**

FIG. 7 is a bottom plan view of the combination steamer of FIG. 1.

(52) **U.S. Cl.** ..... **D7/347**

(58) **Field of Classification Search** ..... D7/350.1,  
D7/350.2, 350.3, 350.4, 351, 402-403, 405-406,  
D7/339, 347-348; 126/19 M, 20, 21 A,  
126/273 R, 275 R, 275 E; 219/401, 402  
See application file for complete search history.

FIG. 8 is a perspective view of a second embodiment of the design of FIG. 1, the only difference being in size proportions.

(56) **References Cited**

FIG. 9 is a front elevation view of the combination steamer of FIG. 8.

**U.S. PATENT DOCUMENTS**

FIG. 10 is a back elevation view of the combination steamer of FIG. 8.

D318,775 S \* 8/1991 Bonnet et al. .... D7/350.3  
D384,544 S \* 10/1997 Lieblein et al. .... D7/350.4  
6,773,738 B2 \* 8/2004 Berger et al. .... 126/20

FIG. 11 is a left side elevation view of the combination steamer of FIG. 8.

(Continued)

FIG. 12 is a right side elevation view of the combination steamer of FIG. 8.

**OTHER PUBLICATIONS**

Unox catalog, "ChefLux," 12 pages. Date: Sep. 2004.  
TCStar catalog, "AngeloPo," 8 pages. Date: Nov. 2005.

FIG. 13 is a top plan view of the combination steamer of FIG. 8; and,

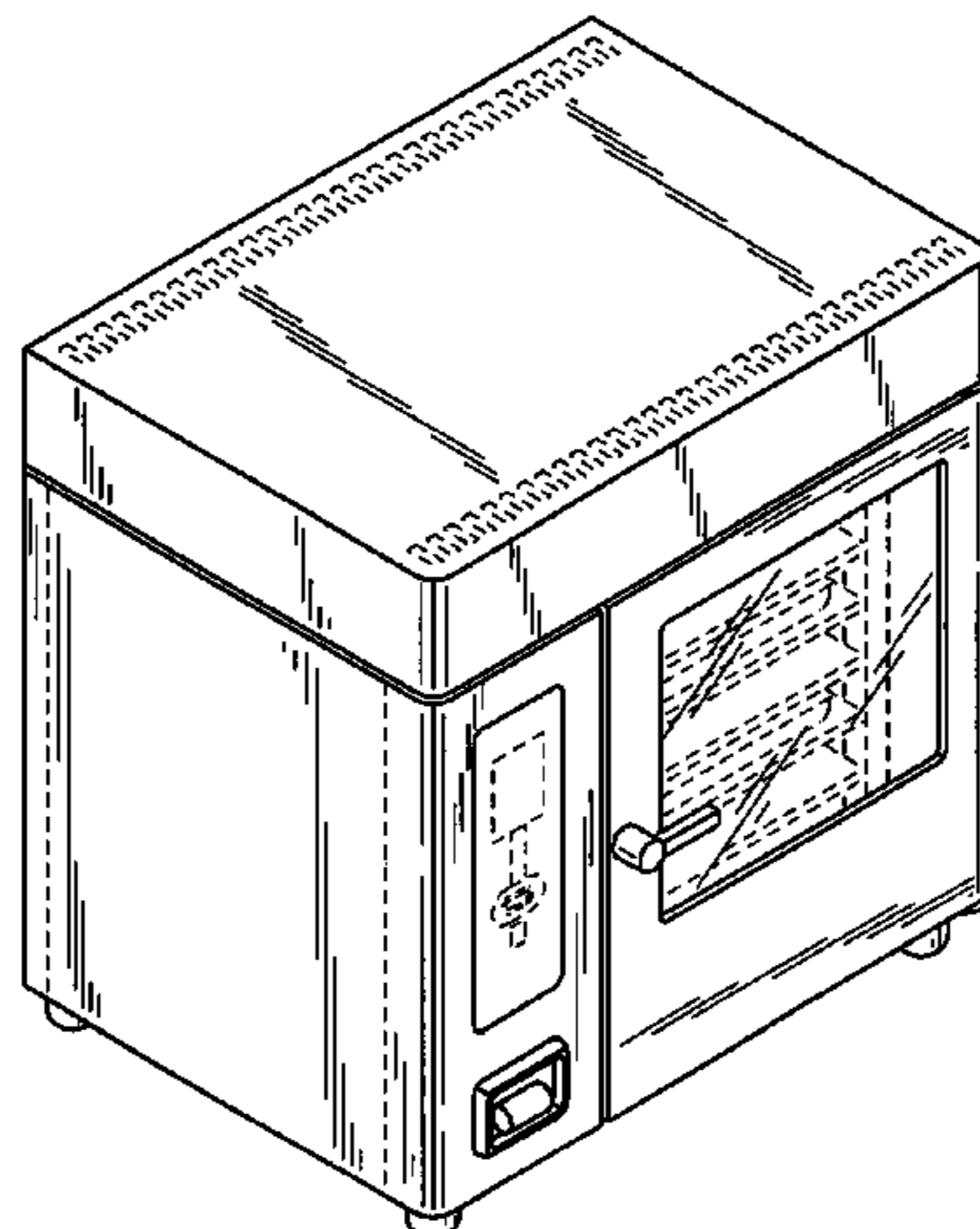
(Continued)

FIG. 14 is a bottom plan view of the combination steamer of FIG. 8.

*Primary Examiner*—Catherine R. Oliver  
(74) *Attorney, Agent, or Firm*—Jansson SHupe & Munger Ltd.

The broken lines are provided for illustrative purposes only and form no part of the claimed design.

**1 Claim, 7 Drawing Sheets**



# US D568,089 S

Page 2

---

## U.S. PATENT DOCUMENTS

7,093,592 B2 \* 8/2006 Cho ..... 126/20  
D539,593 S \* 4/2007 Wang ..... D7/350.4  
2003/0178411 A1 \* 9/2003 Manganiello et al. .... 219/401  
2006/0081592 A1 \* 4/2006 Williams et al. .... 219/401

## OTHER PUBLICATIONS

Lainox catalog, "The Mix," 24 pages. Date: Jan. 2006.

Unox catalog, "Fachhandelspreisliste 2006," 43 pages. Date: Jan. 1, 2006.

Rational catalog, "ClimaPlus Combi," 50 pages. Date: Undated.

Convotherm brochure, "Die Grill-Spieb-Version," 2 pages. Date: Undated.

Convotherm brochure, "Die Back-Version," 2 pages. Date: Undated.

\* cited by examiner

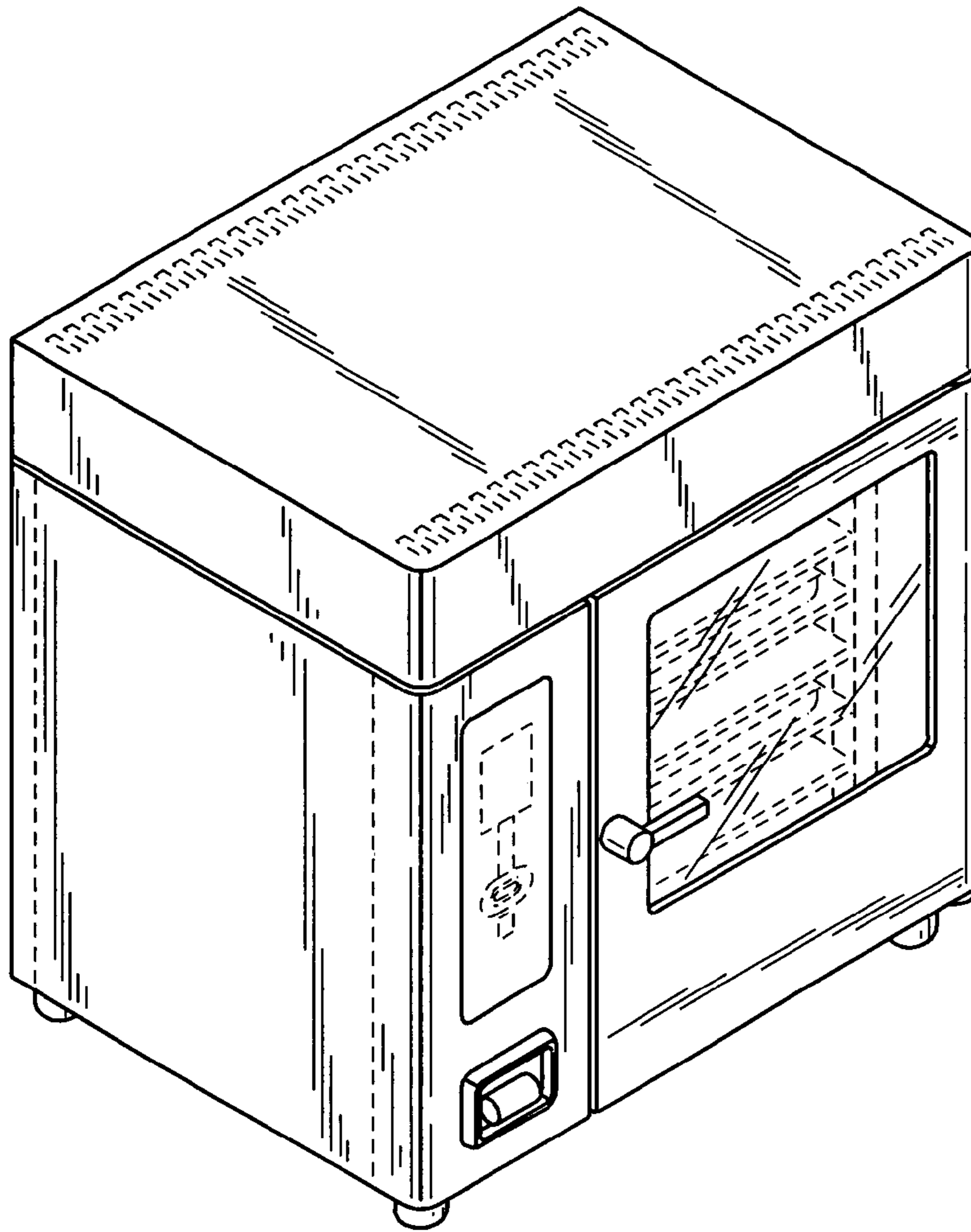


FIG. 1

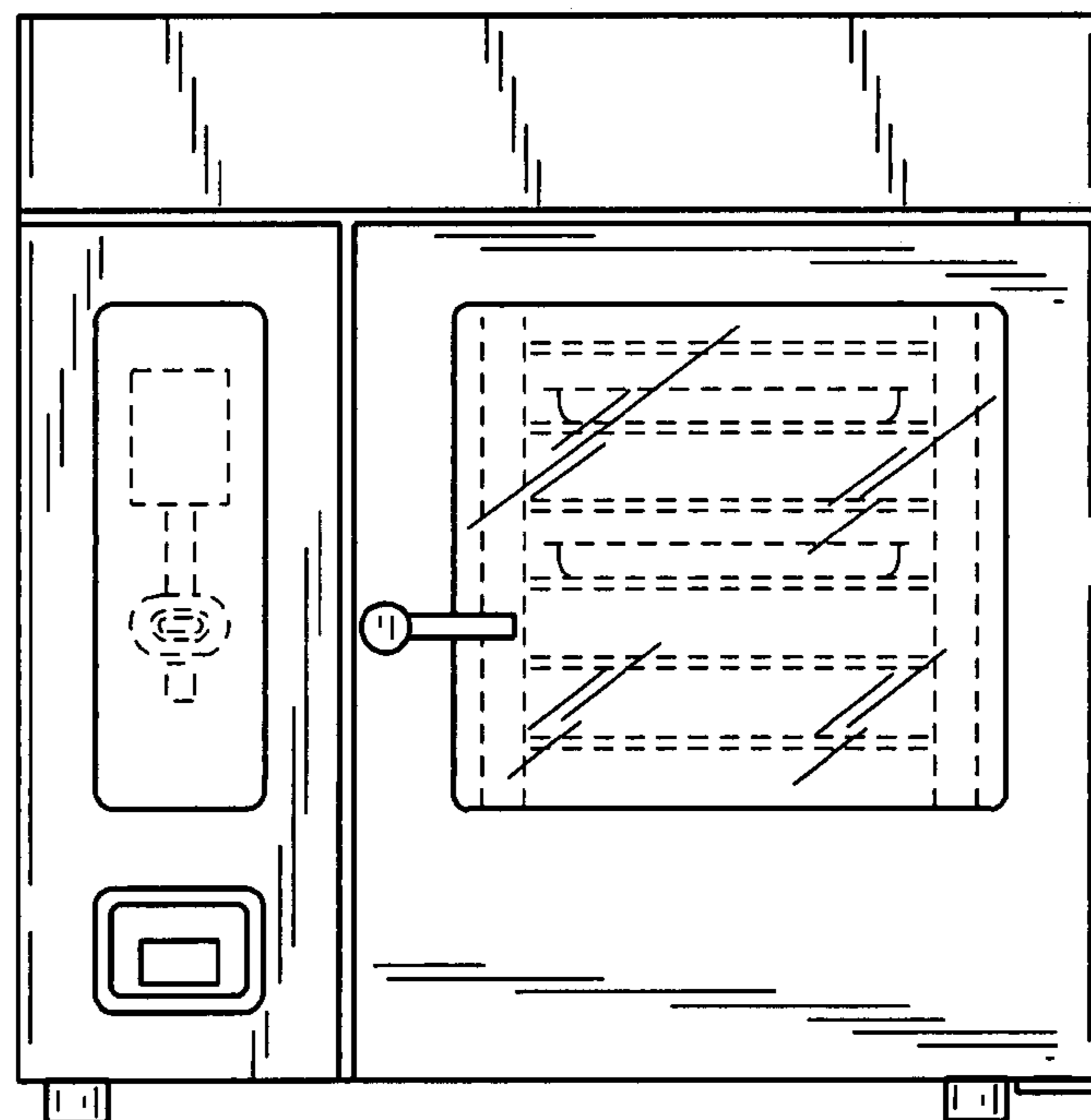


FIG. 2

FIG. 3

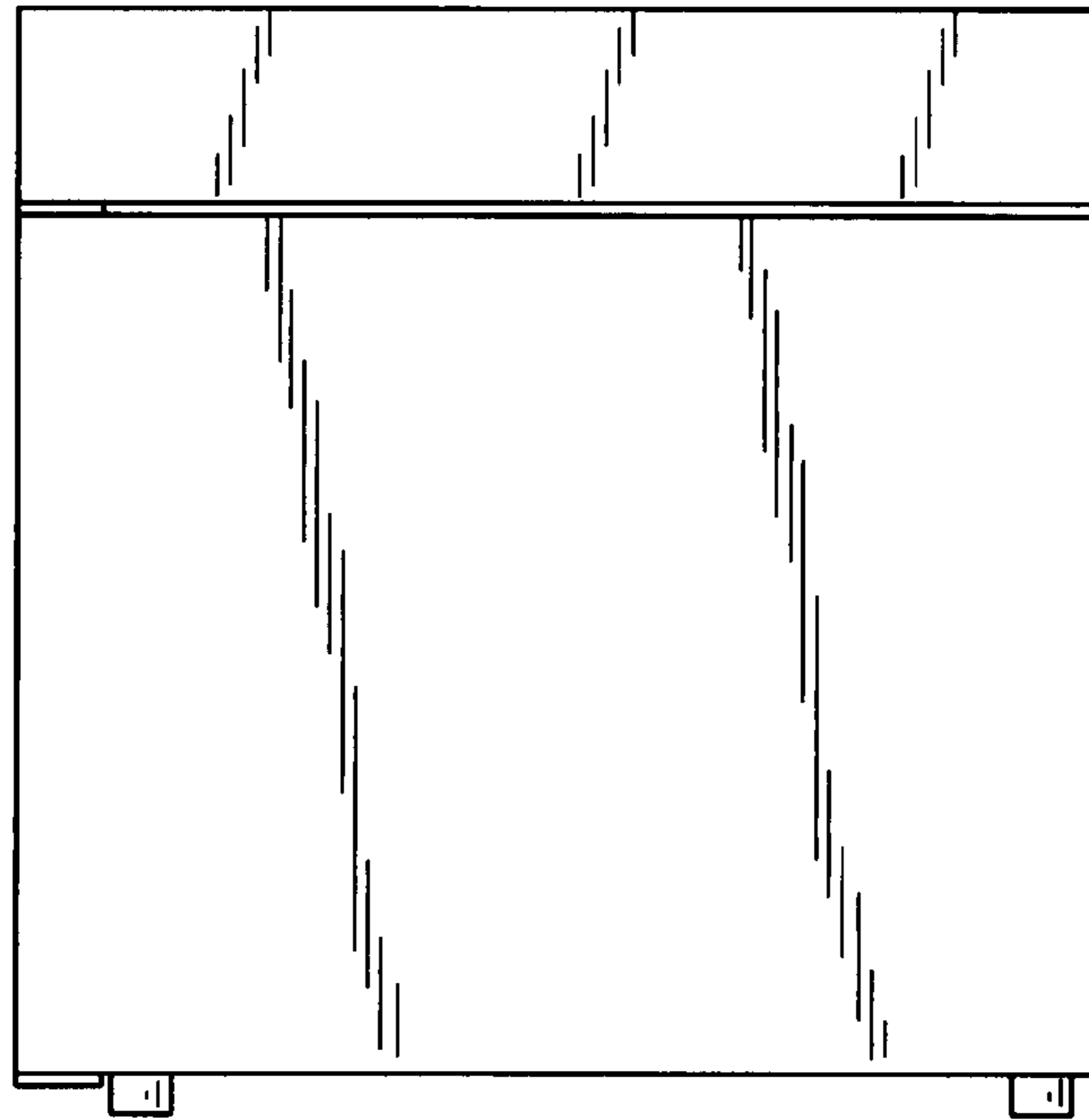


FIG. 4

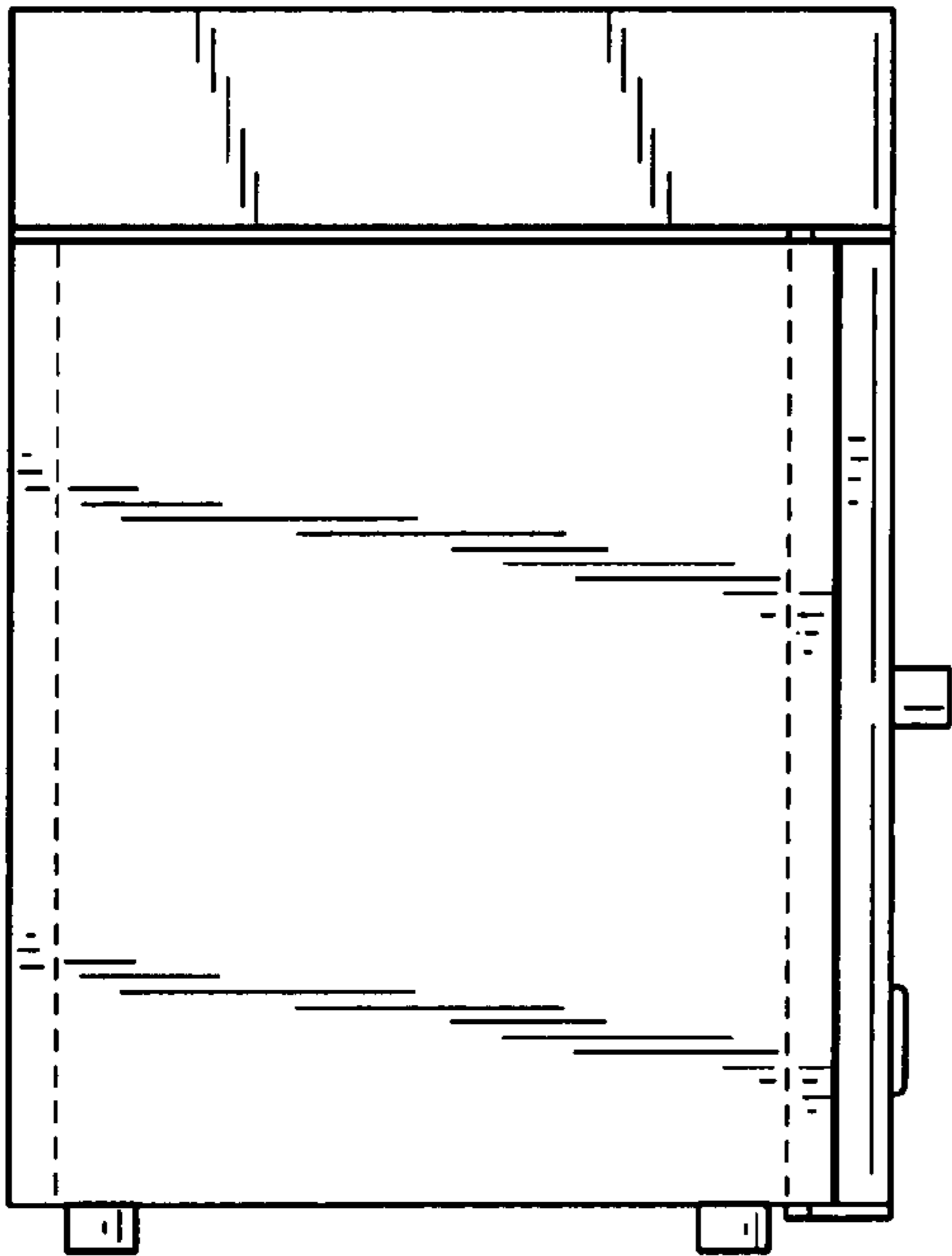


FIG. 5

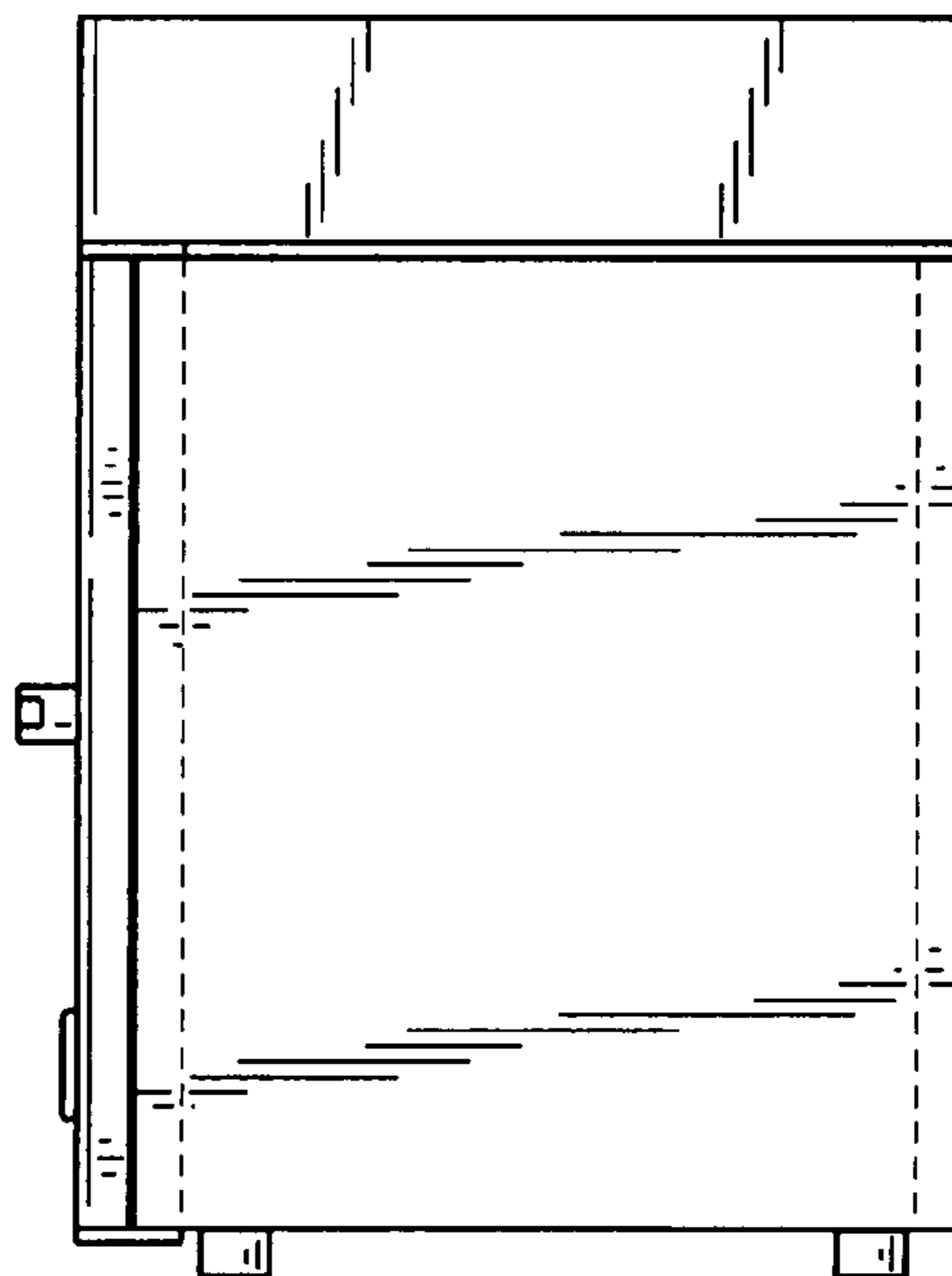


FIG. 6

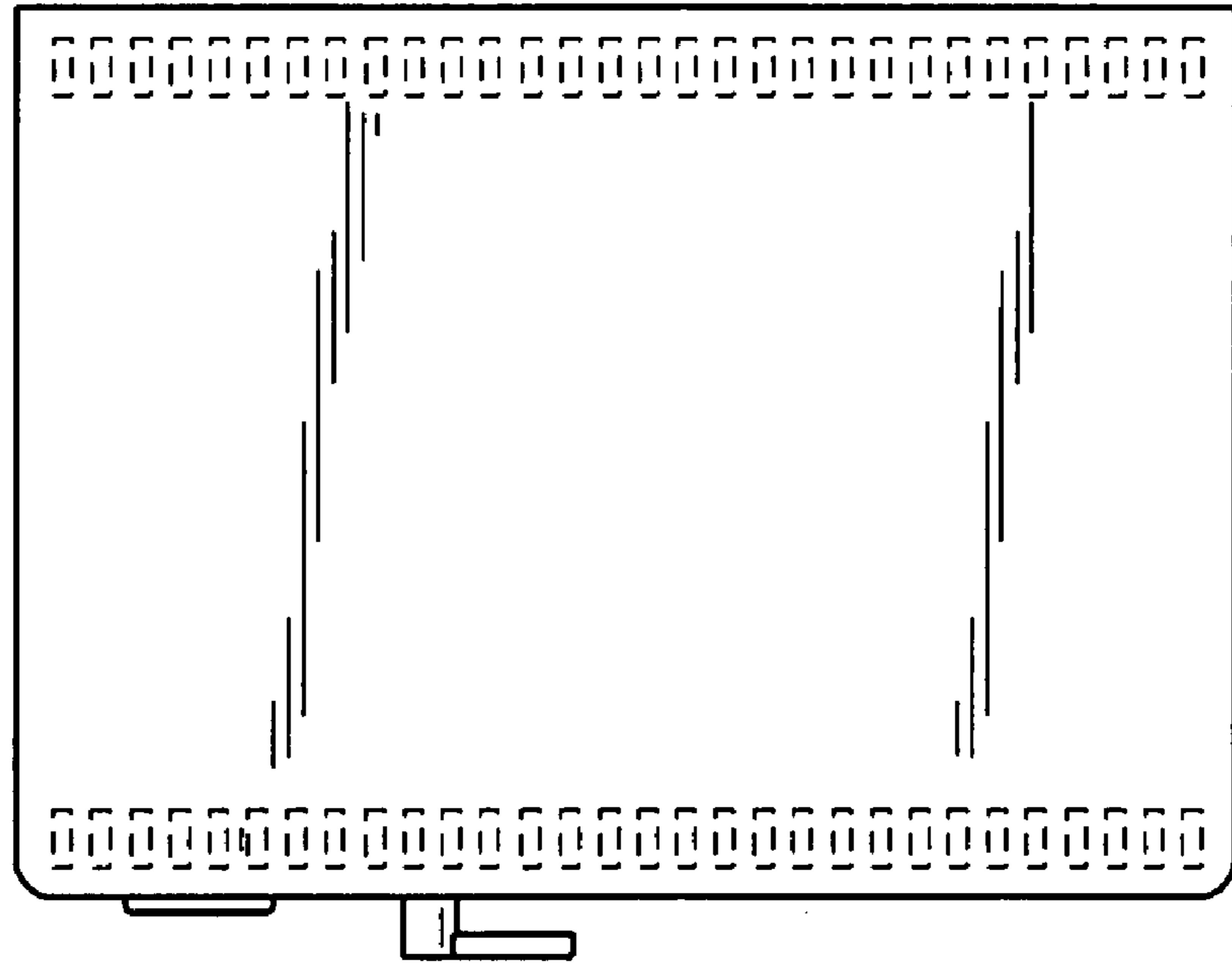
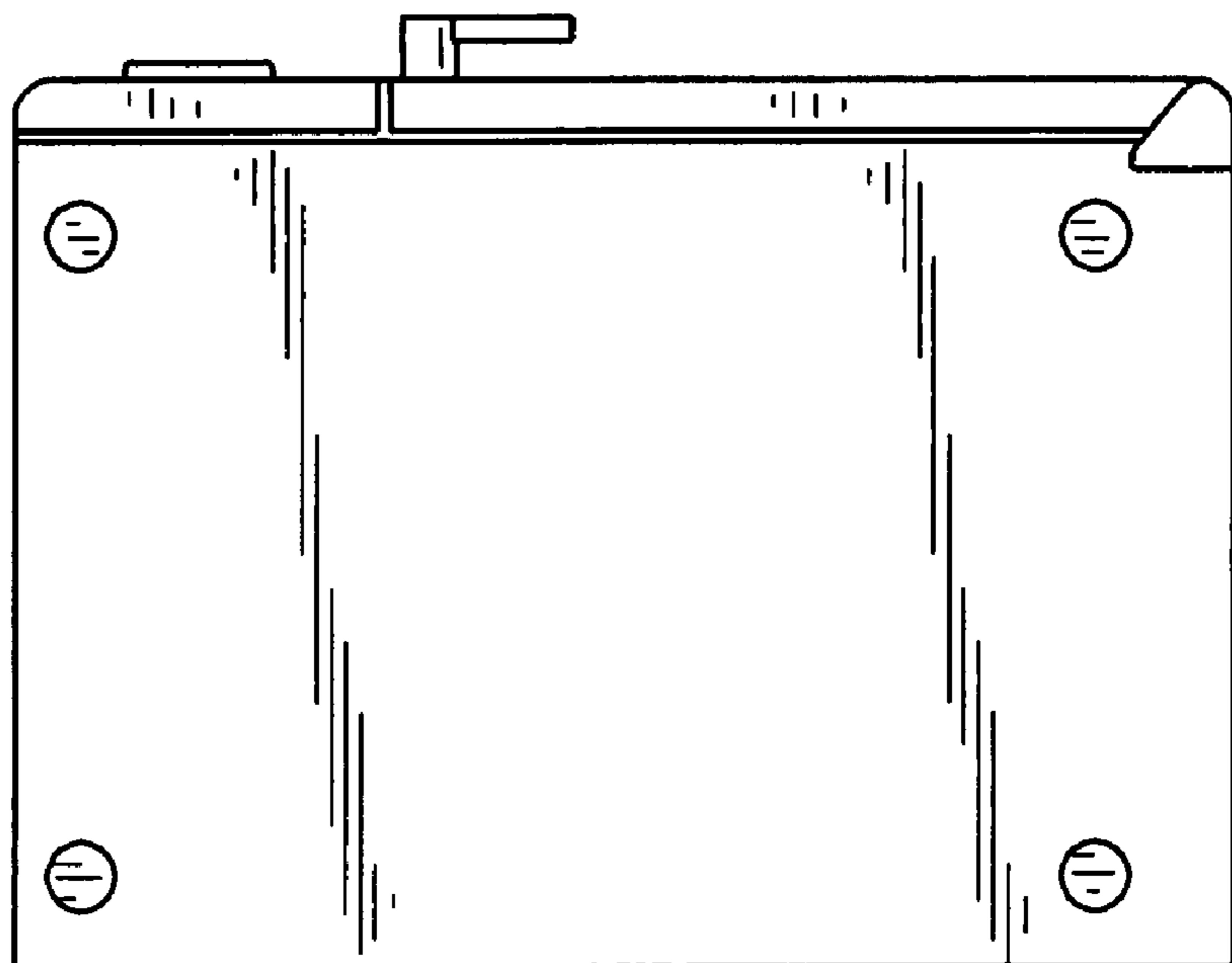


FIG. 7



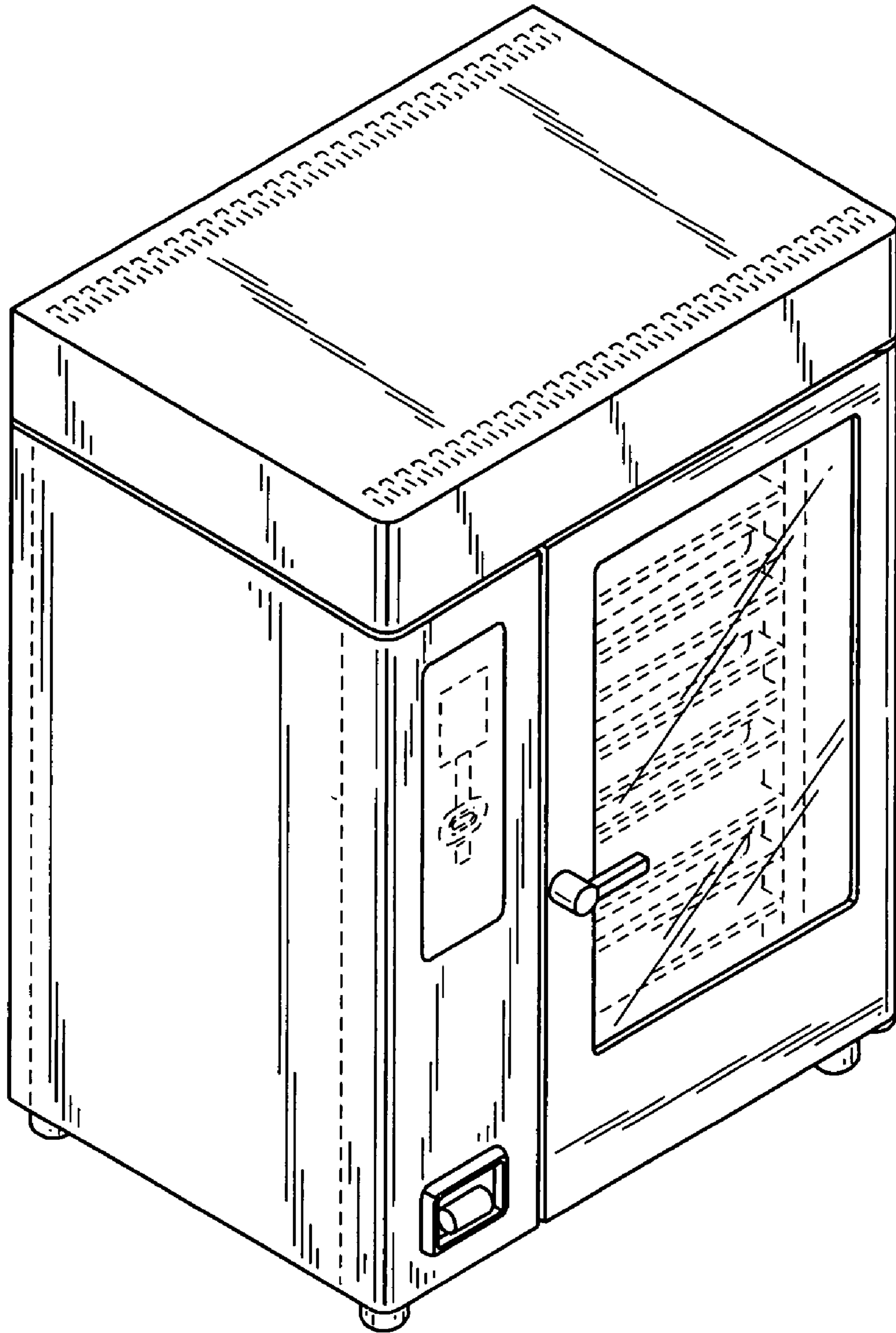


FIG. 8



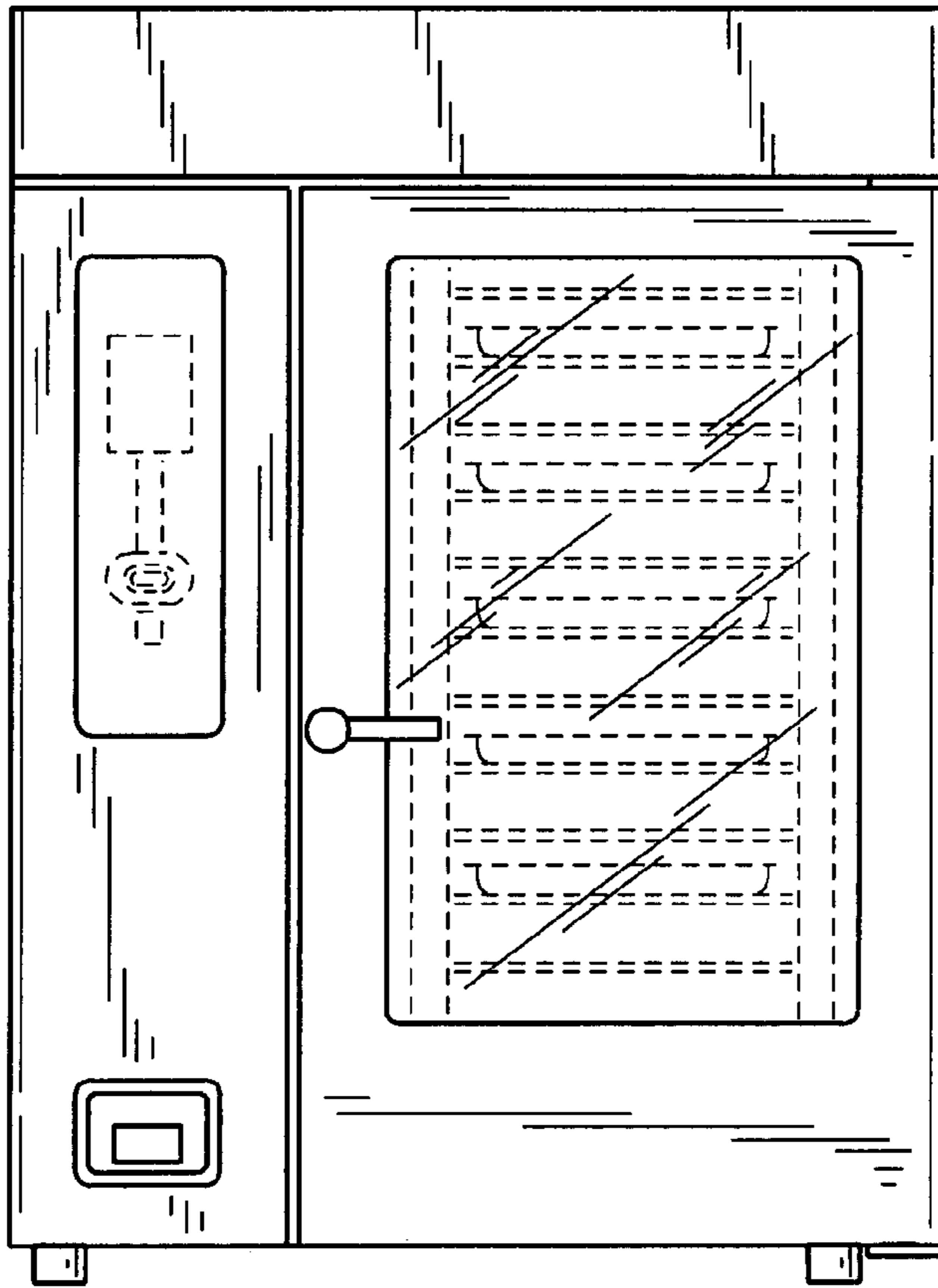


FIG. 9

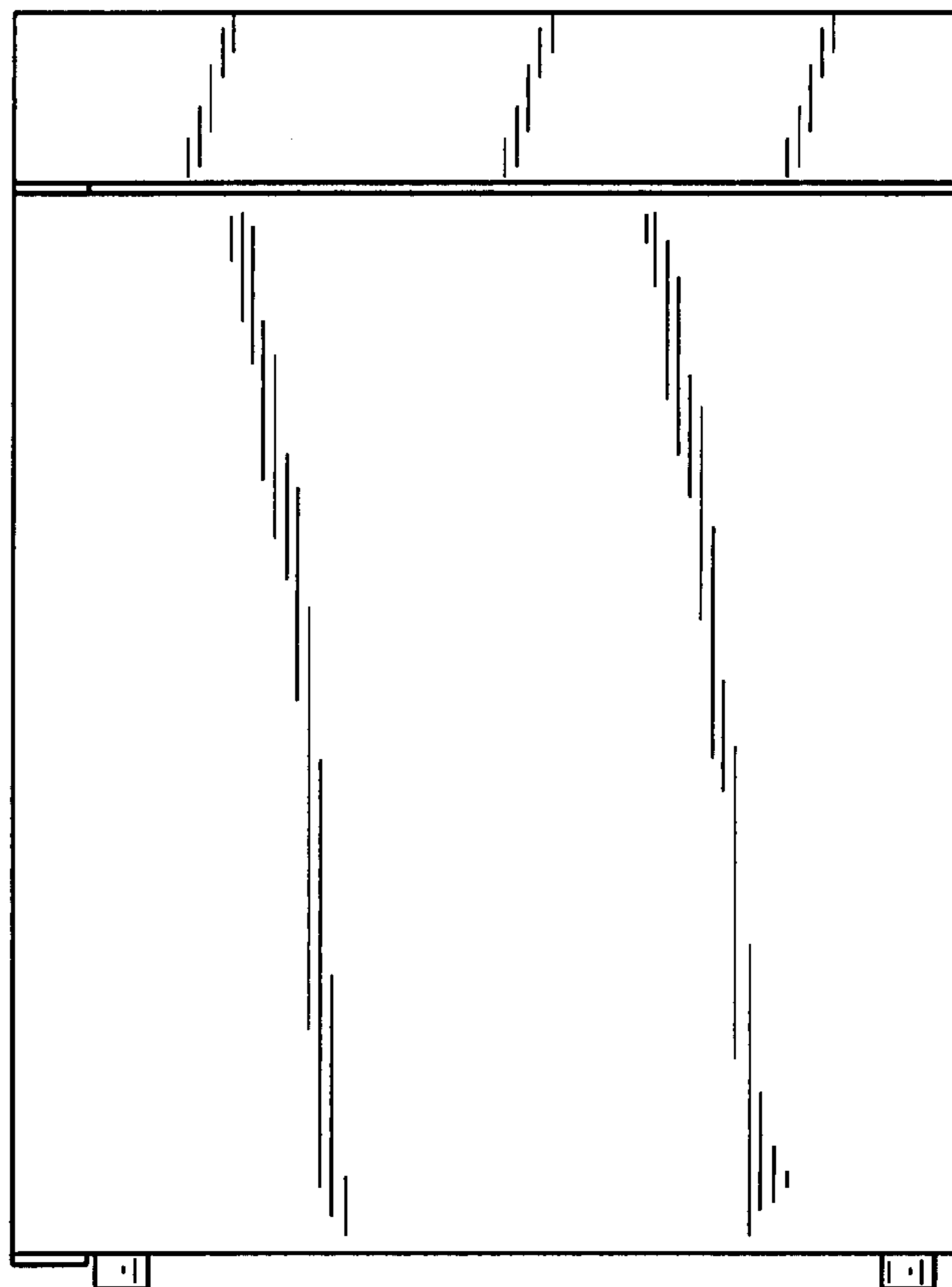


FIG. 10

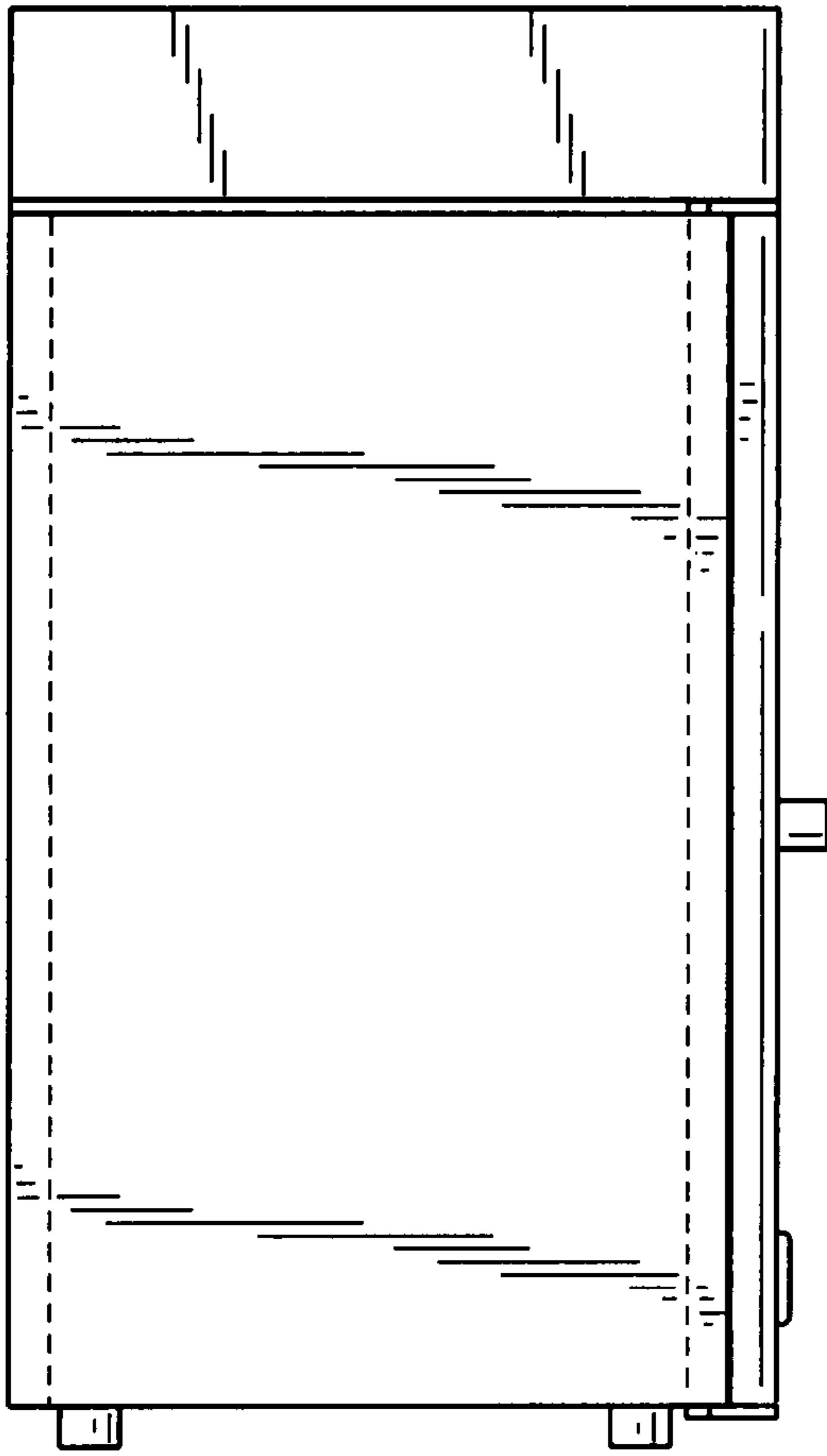


FIG. 11

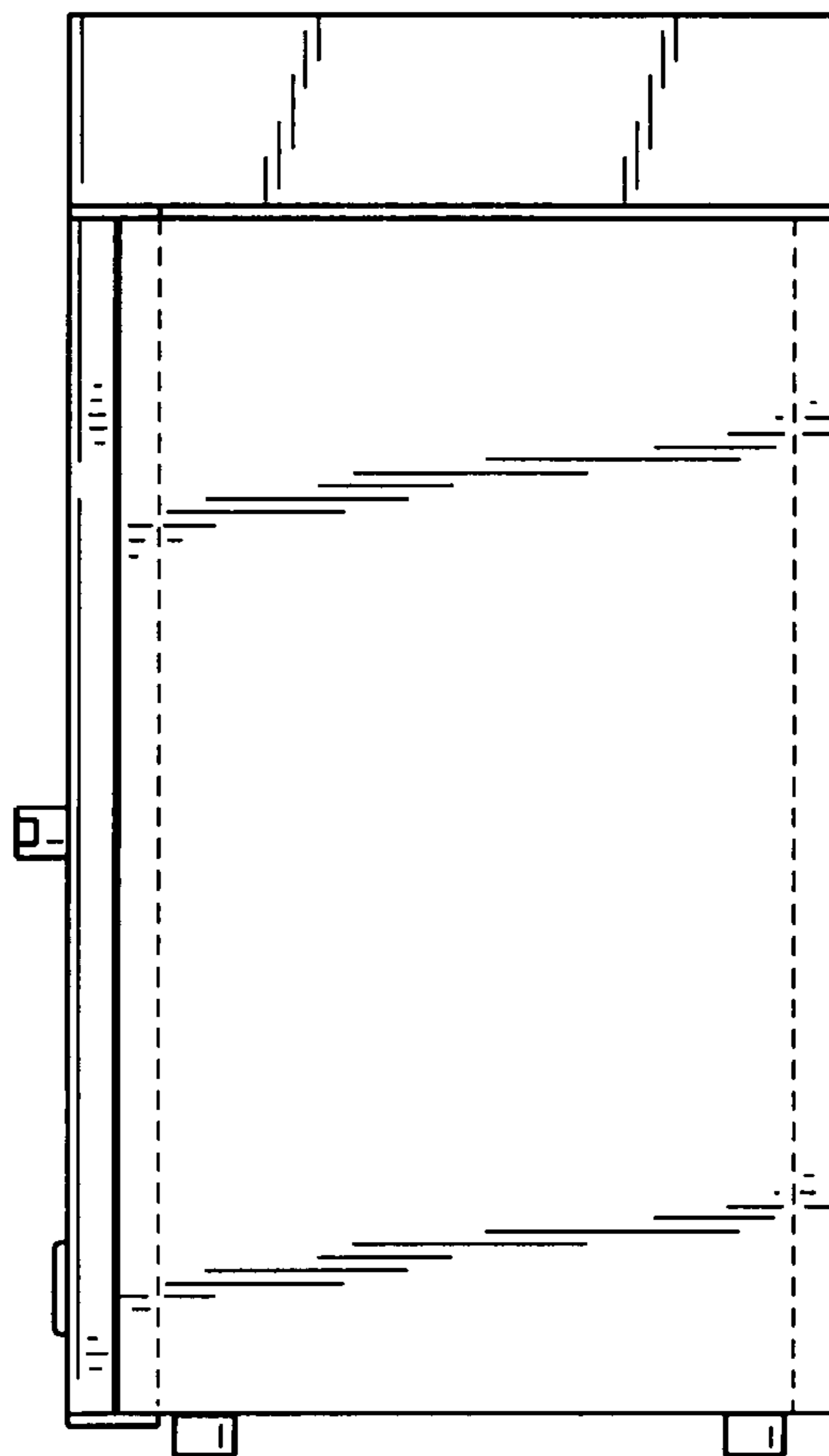


FIG. 12



FIG. 13

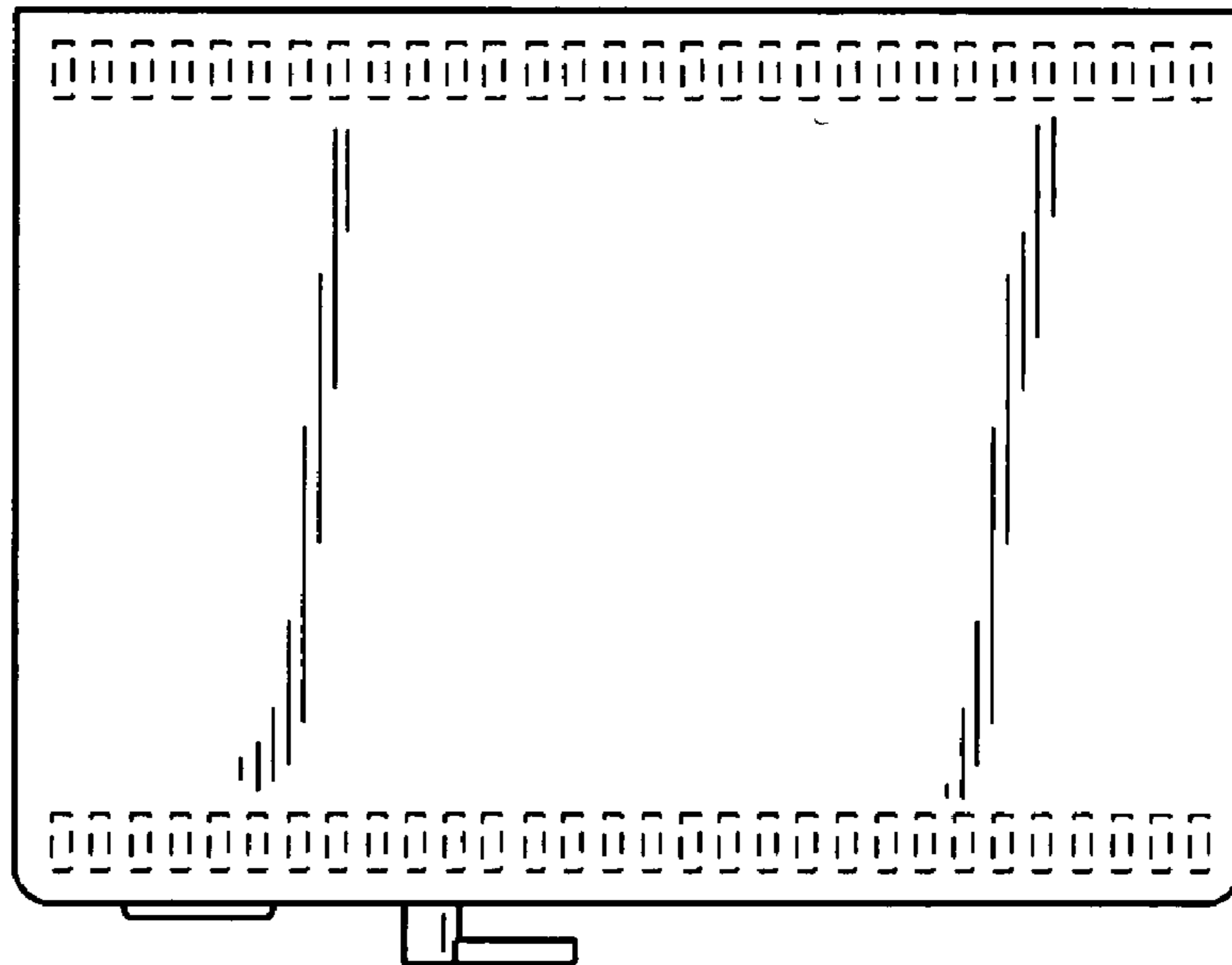


FIG. 14

