

US00D568088S

(12) **United States Design Patent**
Maxwell

(10) **Patent No.:** **US D568,088 S**

(45) **Date of Patent:** **** May 6, 2008**

(54) **PITCHER**

(75) Inventor: **Charles P. Maxwell**, Gurnee, IL (US)

(73) Assignee: **Tablecraft Products Company**,
Gurnee, IL (US)

(**) Term: **14 Years**

(21) Appl. No.: **29/277,917**

(22) Filed: **Mar. 14, 2007**

(51) **LOC (8) Cl.** **07-01**

(52) **U.S. Cl.** **D7/319; D7/316**

(58) **Field of Classification Search** D7/316-319,
D7/321, 312; D9/540, 539; D10/46.2; 73/427;
222/466, 143, 189.07, 465.1; 210/282; 215/384,
215/11.1, 373; 206/434, 497

See application file for complete search history.

(56) **References Cited**

U.S. PATENT DOCUMENTS

D97,924 S *	12/1935	Cowan	D7/319
D199,037 S *	9/1964	Jackson et al.	D7/691
3,362,590 A	1/1968	Martin		
D214,552 S	7/1969	Hills		
D216,476 S *	1/1970	Bates	D7/319
D220,773 S *	5/1971	Dilyard	D7/317
D262,267 S *	12/1981	Cox	D9/543
D270,602 S *	9/1983	Fritz	D7/319
D279,167 S	6/1985	Haney et al.		
D281,577 S *	12/1985	Larson et al.	D9/540
D286,367 S	10/1986	Murphy		
D287,325 S *	12/1986	Schmidt	D10/46.2
4,671,427 A *	6/1987	Farquharson	222/83.5
D296,973 S *	8/1988	Pozzi	D7/317
D300,709 S	4/1989	Chen		
D309,077 S *	7/1990	Pomroy	D7/318
4,957,224 A *	9/1990	Kessler et al.	222/465.1
4,993,565 A	2/1991	Ota et al.		
D321,624 S	11/1991	Fiore et al.		
D323,093 S *	1/1992	Picozza et al.	D7/319
5,215,203 A	6/1993	Malcolm		
5,226,550 A *	7/1993	Mikolaitis et al.	215/384
5,289,953 A *	3/1994	McMillan et al.	222/189.07

D346,249 S *	4/1994	Peltier et al.	D32/53.1
5,579,937 A	12/1996	Valyi		
5,613,720 A	3/1997	Shaddy		
5,637,214 A *	6/1997	Kahana	210/282
5,655,805 A	8/1997	Shaddy		
5,836,469 A	11/1998	Zebrowski		
D409,446 S	5/1999	St. John et al.		
5,927,533 A	7/1999	Payne et al.		
6,068,161 A	5/2000	Soehnlén et al.		
D448,304 S *	9/2001	Cheng et al.	D9/539
D448,674 S *	10/2001	Mooney	D9/540

(Continued)

OTHER PUBLICATIONS

Three photographs of a Deer Park 3 litre plastic water jug.

Primary Examiner—Marianne Pandozzi

Assistant Examiner—J. Scott

(74) *Attorney, Agent, or Firm*—Pearne & Gordon LLP

(57) **CLAIM**

The ornamental design for a pitcher, as shown and described.

DESCRIPTION

FIG. 1 is a perspective view of a pitcher showing my new design;

FIG. 2 is a side elevational view thereof;

FIG. 3 is a top plan view thereof;

FIG. 4 is a front elevational view thereof;

FIG. 5 is a rear elevational view thereof;

FIG. 6 is a bottom plan view thereof;

FIG. 7 is a perspective view of a pitcher showing a second embodiment of my new design;

FIG. 8 is a side elevational view of the pitcher of FIG. 7;

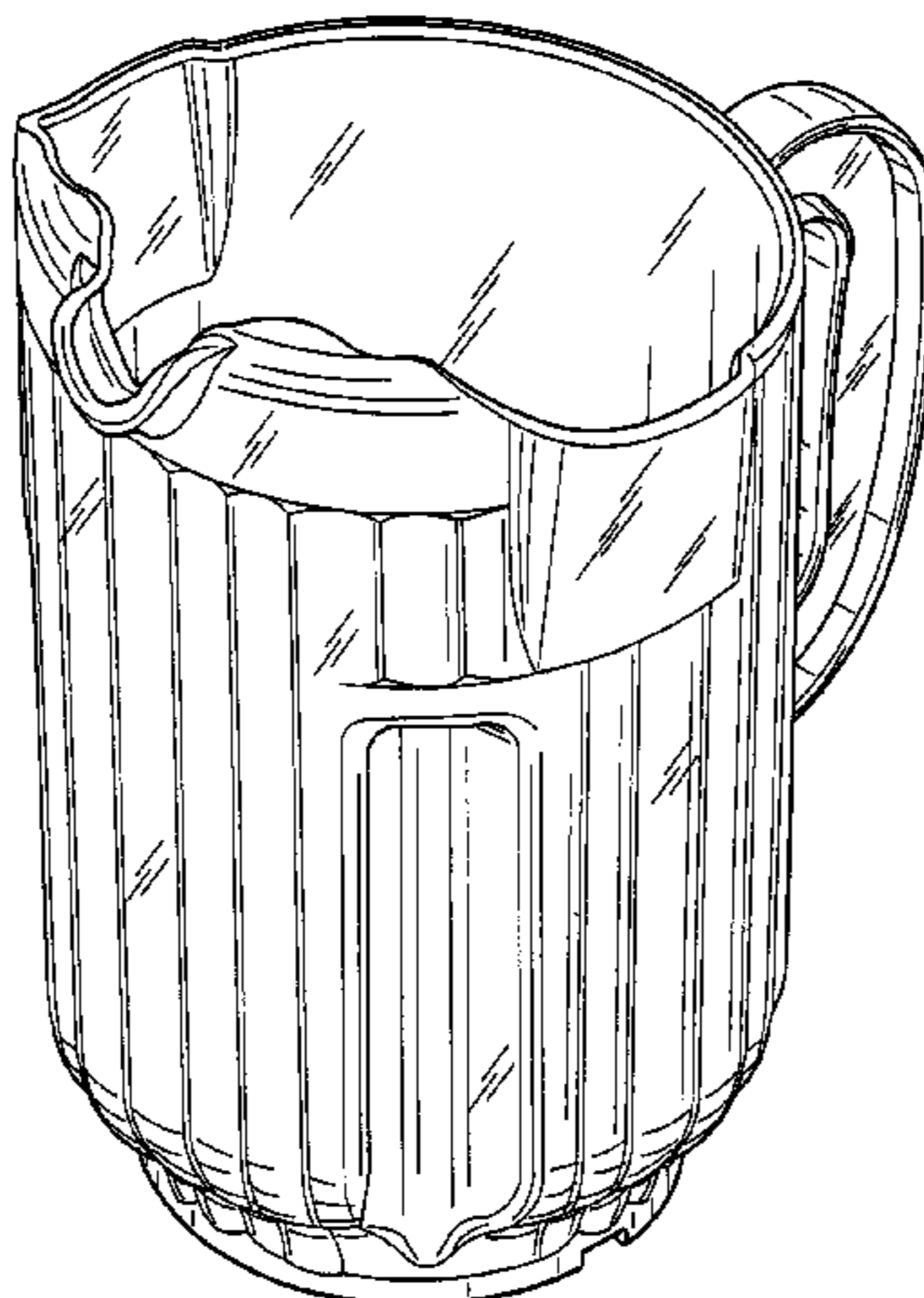
FIG. 9 is a top plan view of the pitcher of FIG. 7;

FIG. 10 is a front elevational view of the pitcher of FIG. 7;

FIG. 11 is rear elevational view of the pitcher of FIG. 7; and,

FIG. 12 is a bottom plan view of the pitcher of FIG. 7.

1 Claim, 6 Drawing Sheets



US D568,088 S

Page 2

U.S. PATENT DOCUMENTS

D451,762 S	12/2001	Tessmer		D507,151 S	7/2005	Schuler et al.	
6,375,025 B1	4/2002	Mooney		D513,918 S	1/2006	Bodum	
D458,723 S *	6/2002	Malvasio	D32/53.1	D516,864 S	3/2006	Kleckauskas et al.	
6,564,959 B2 *	5/2003	Saito et al.	215/384	D532,307 S	11/2006	Durand	
6,722,514 B2	4/2004	Renz		D553,418 S *	10/2007	Sortore et al.	D7/319
D498,638 S *	11/2004	Morrison	D7/319	2006/0037930 A1	2/2006	Darr et al.	
D501,363 S	2/2005	Laib					
D504,049 S	4/2005	Morano et al.					

* cited by examiner

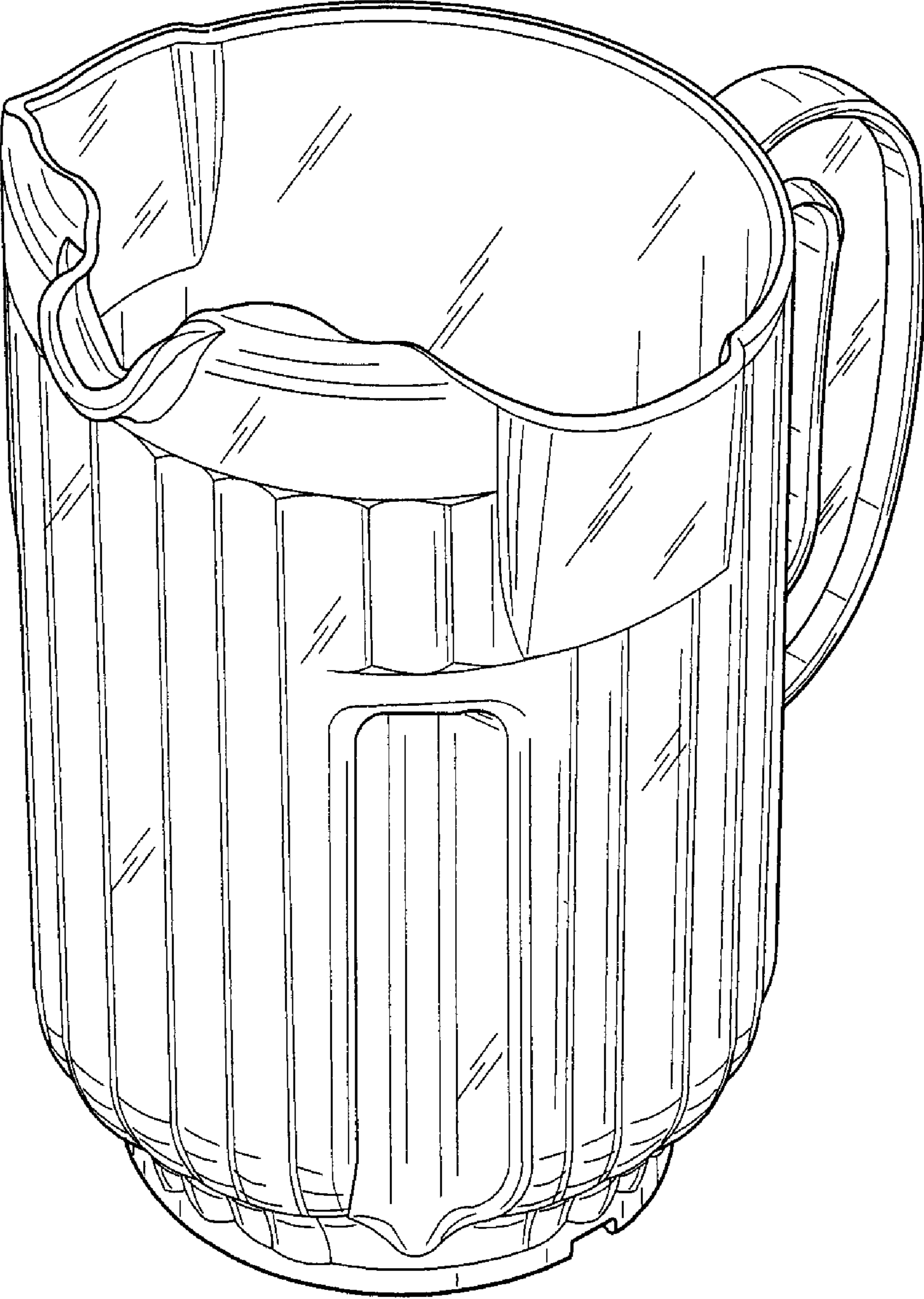


FIG. 1

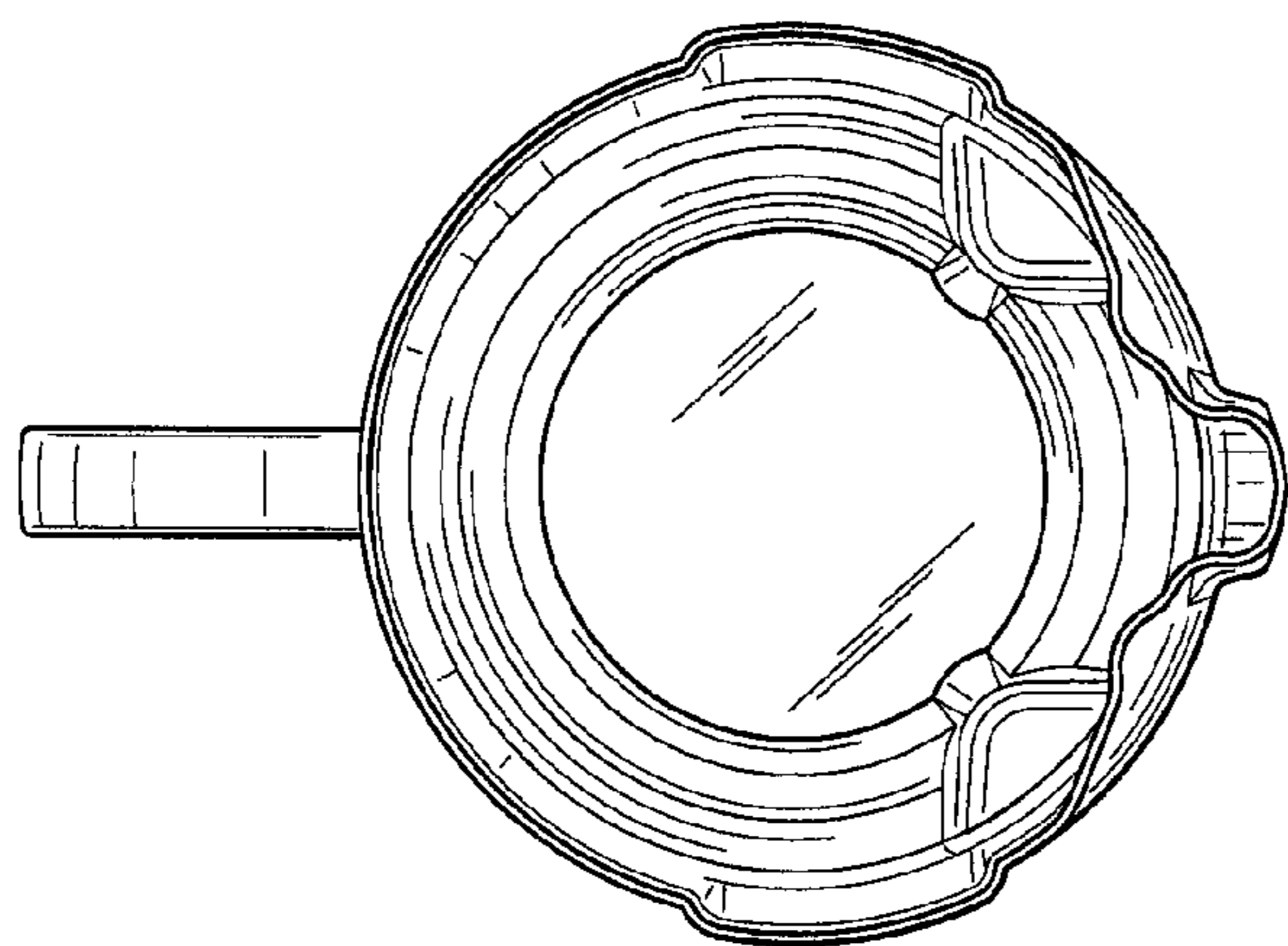


FIG. 3

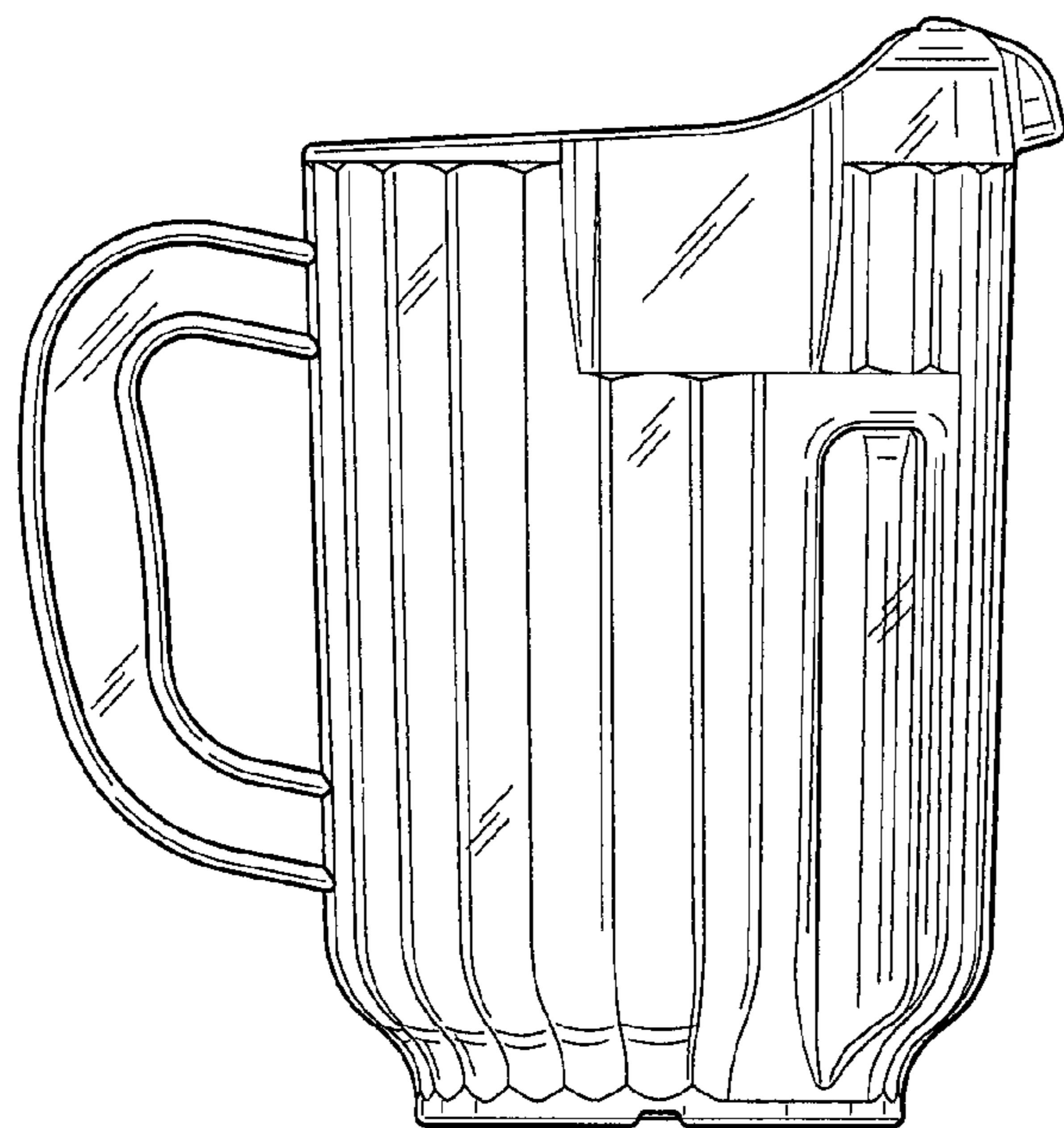


FIG. 2

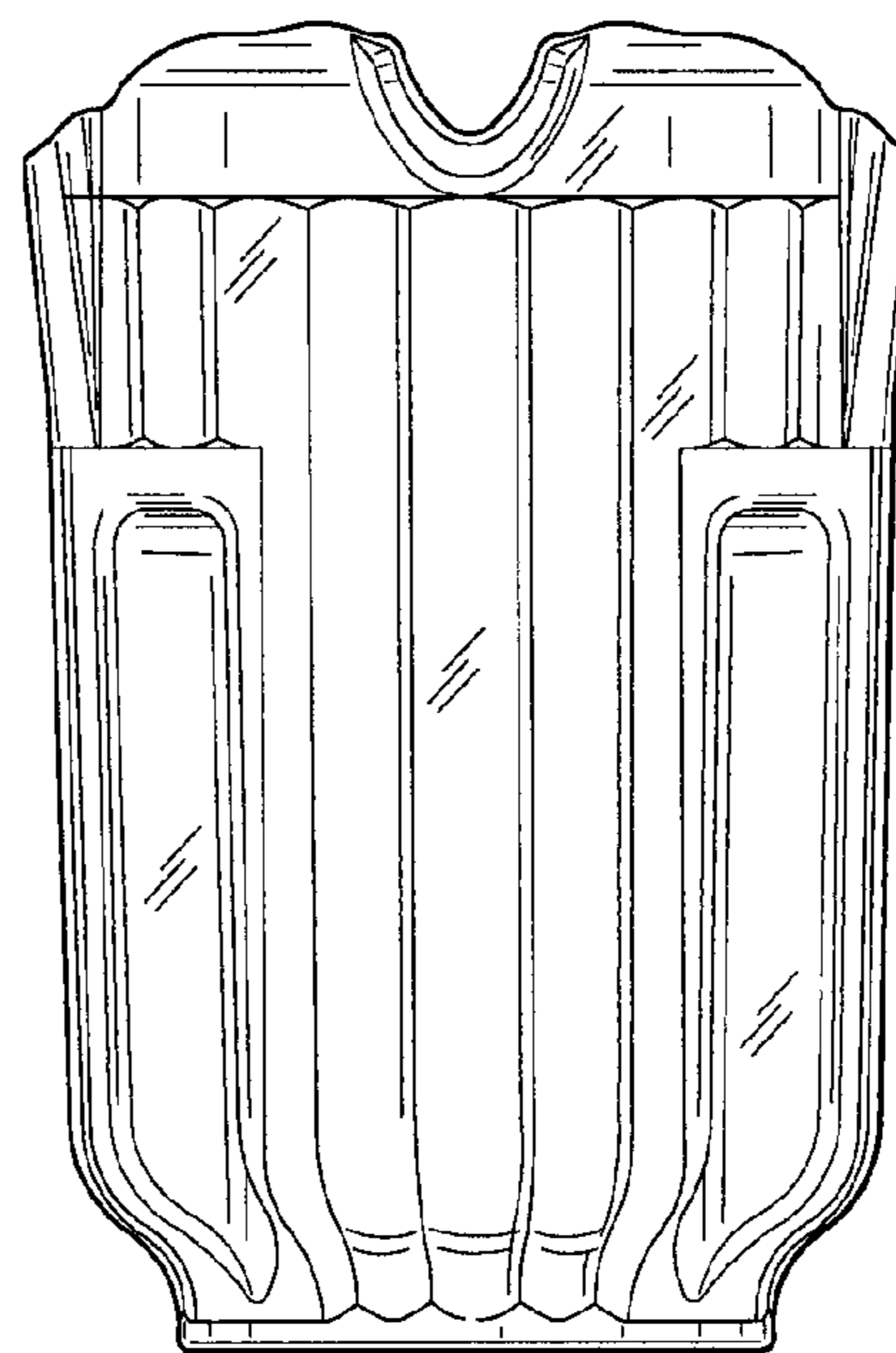


FIG. 4

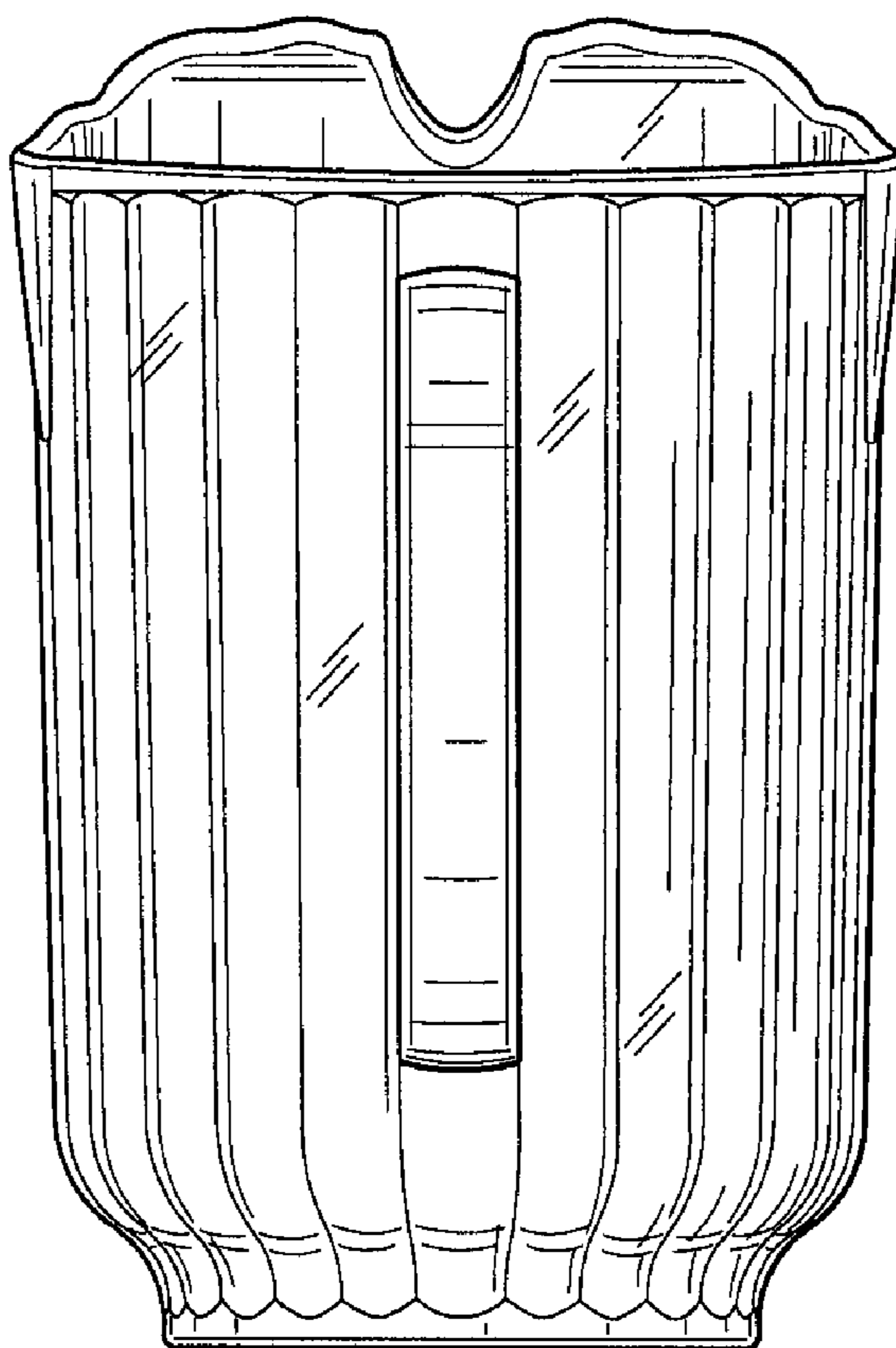


FIG. 5

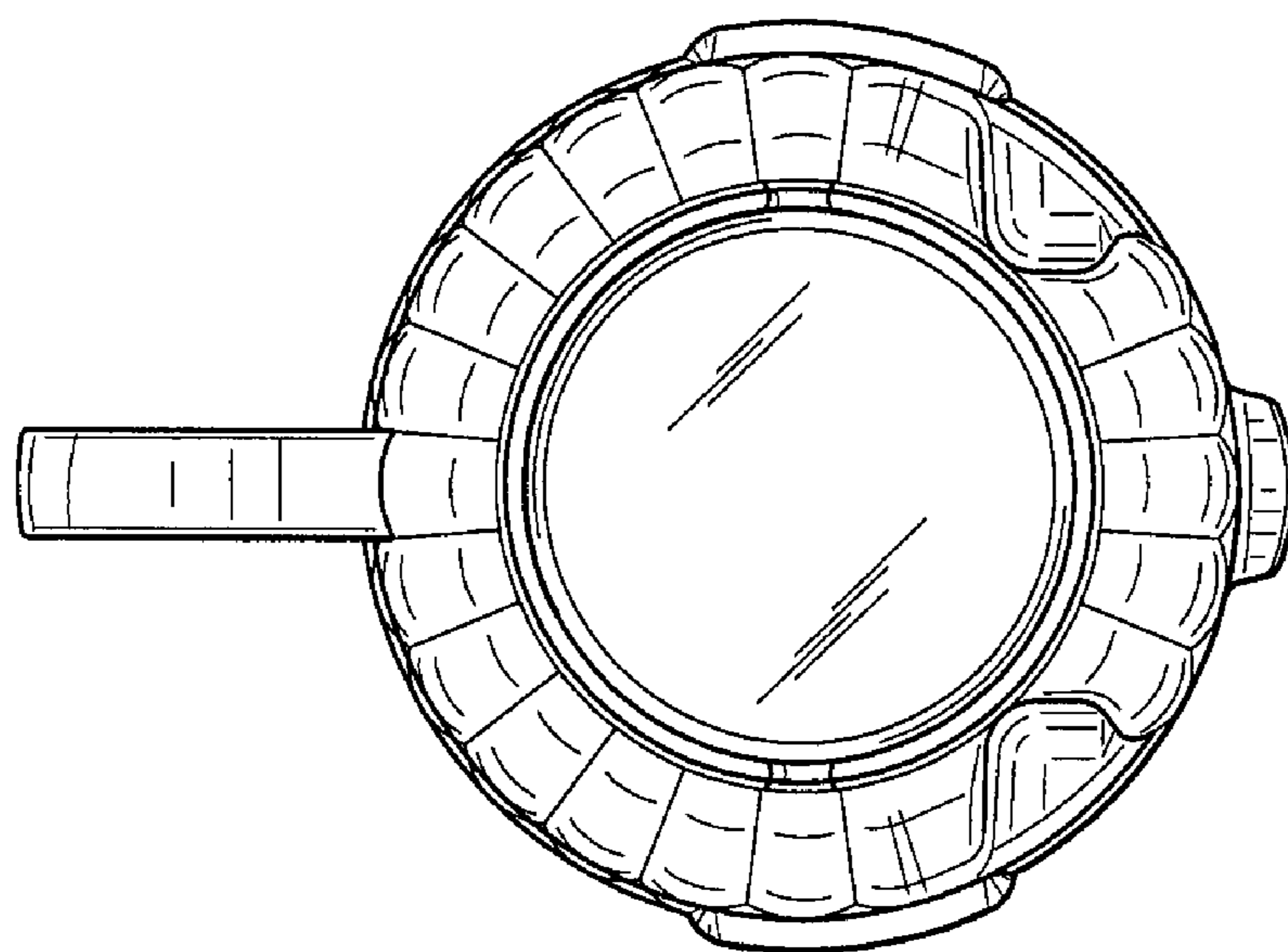


FIG. 6

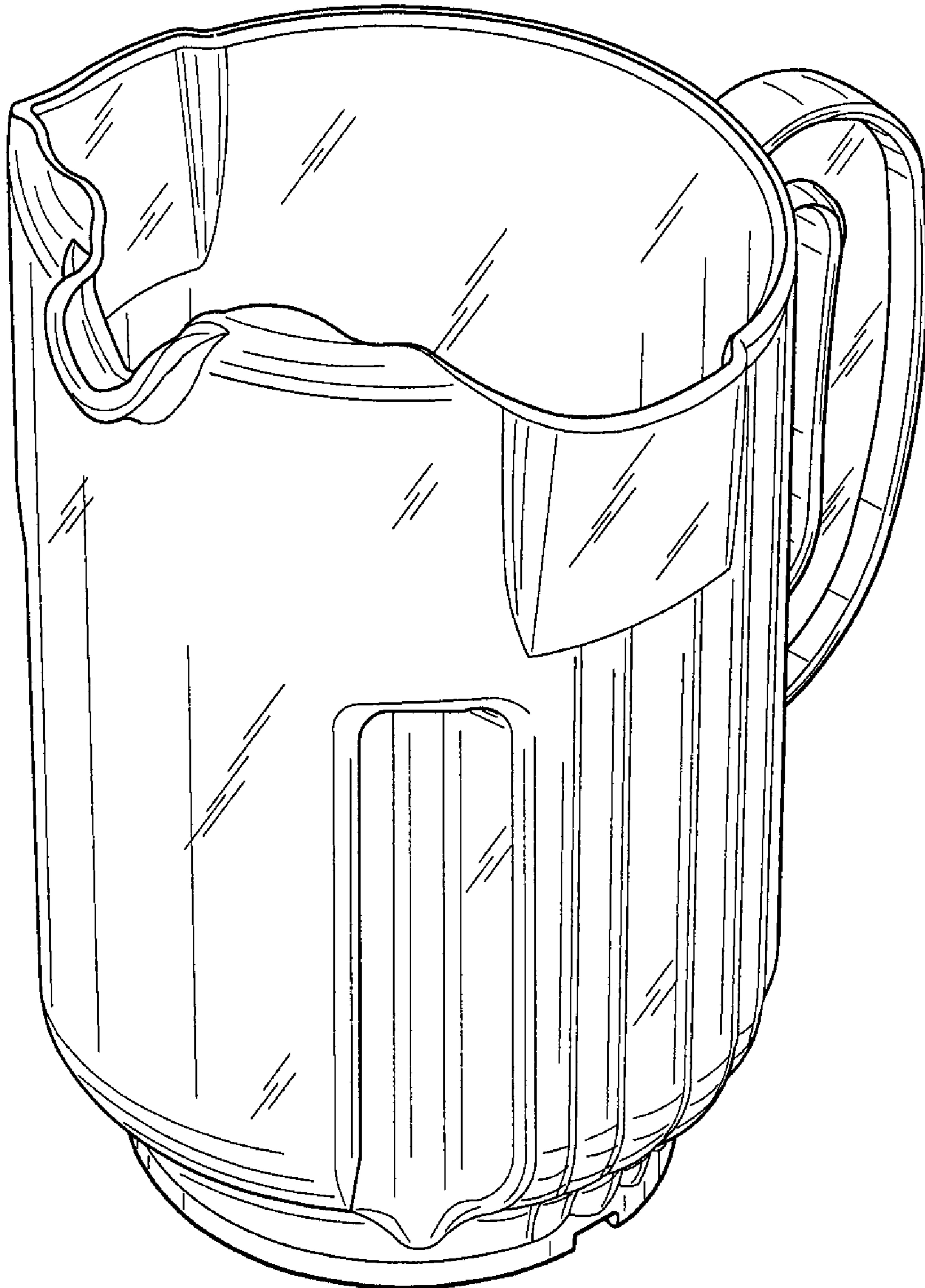


FIG. 7

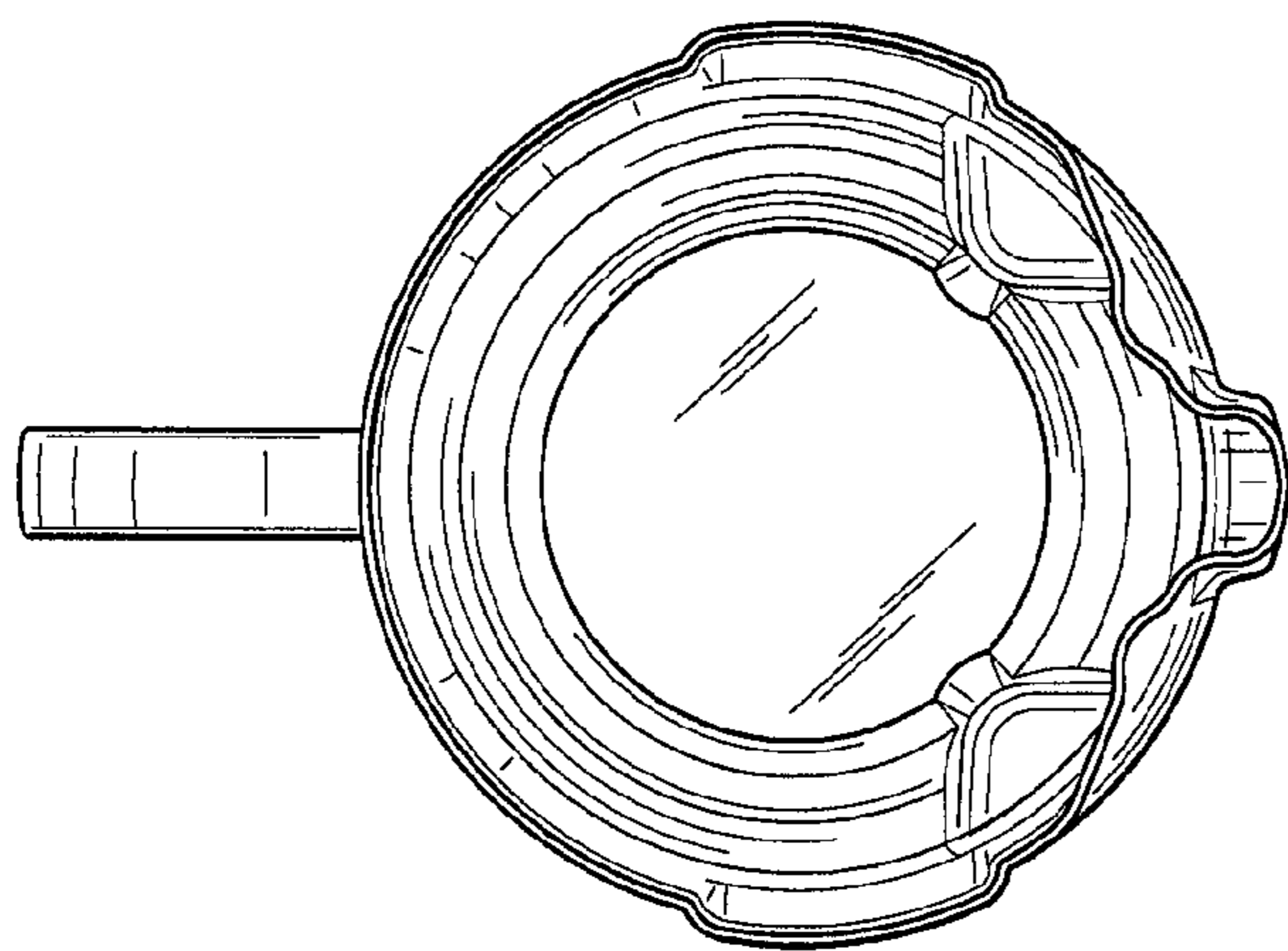


FIG. 9

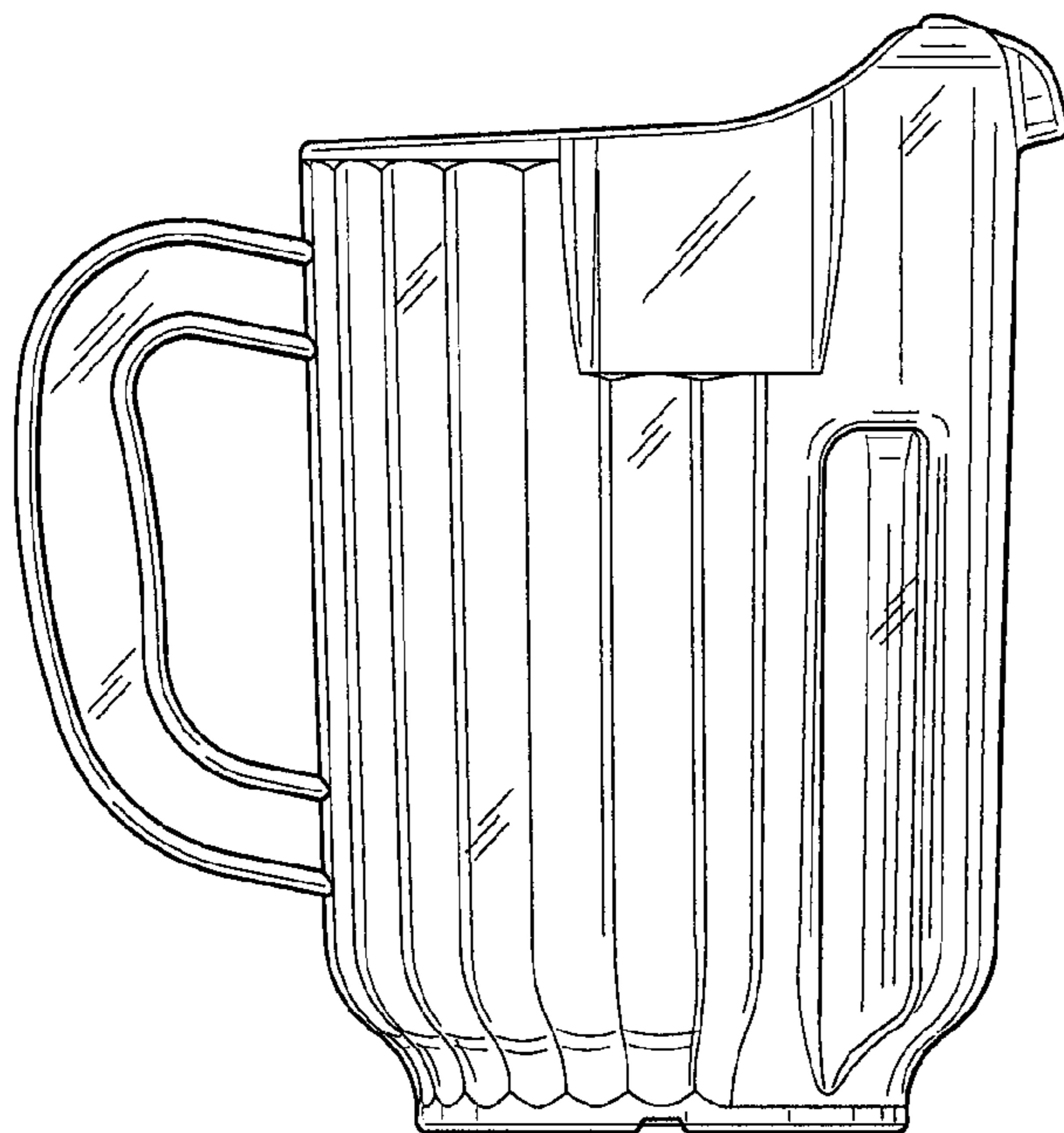


FIG. 8

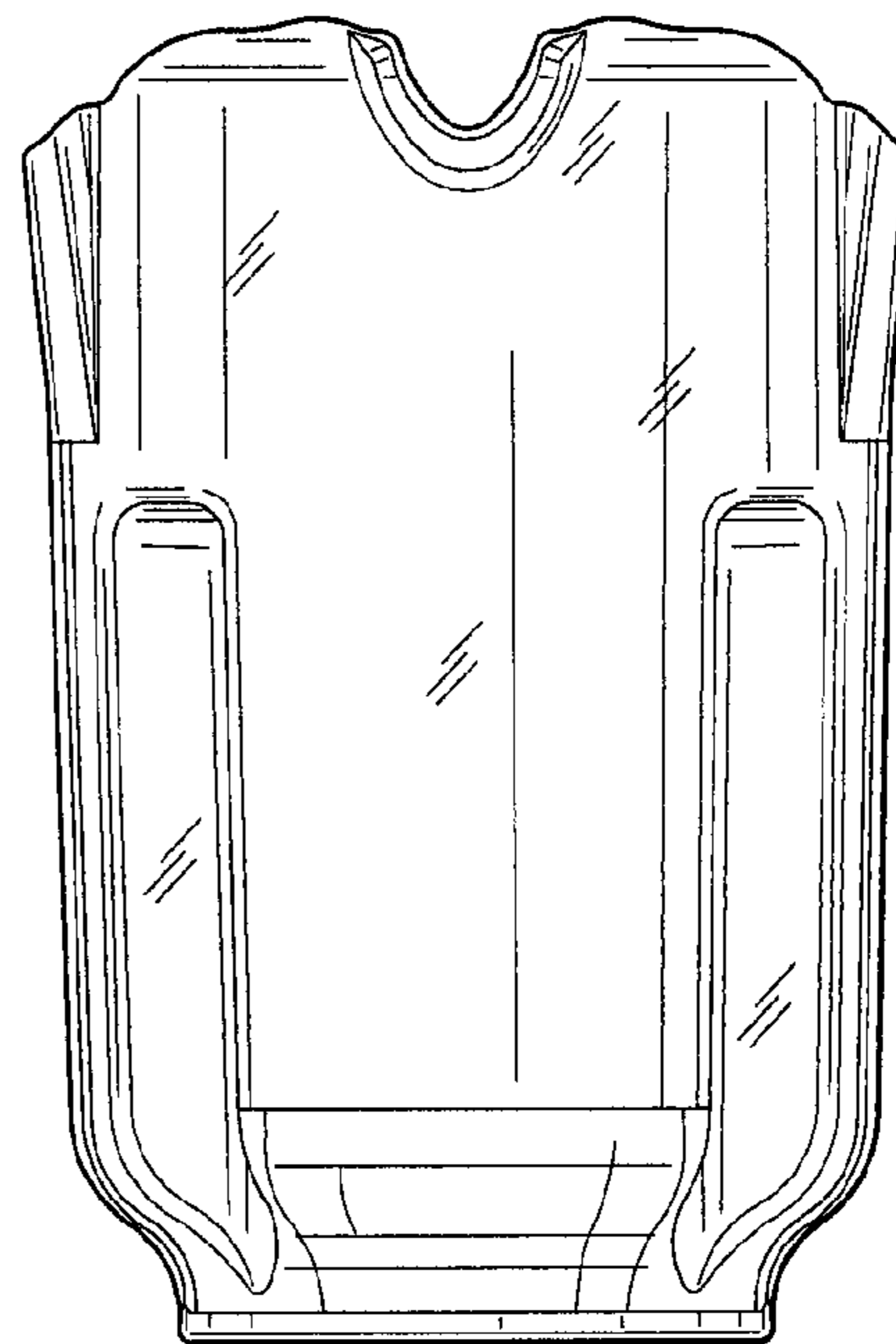


FIG. 10

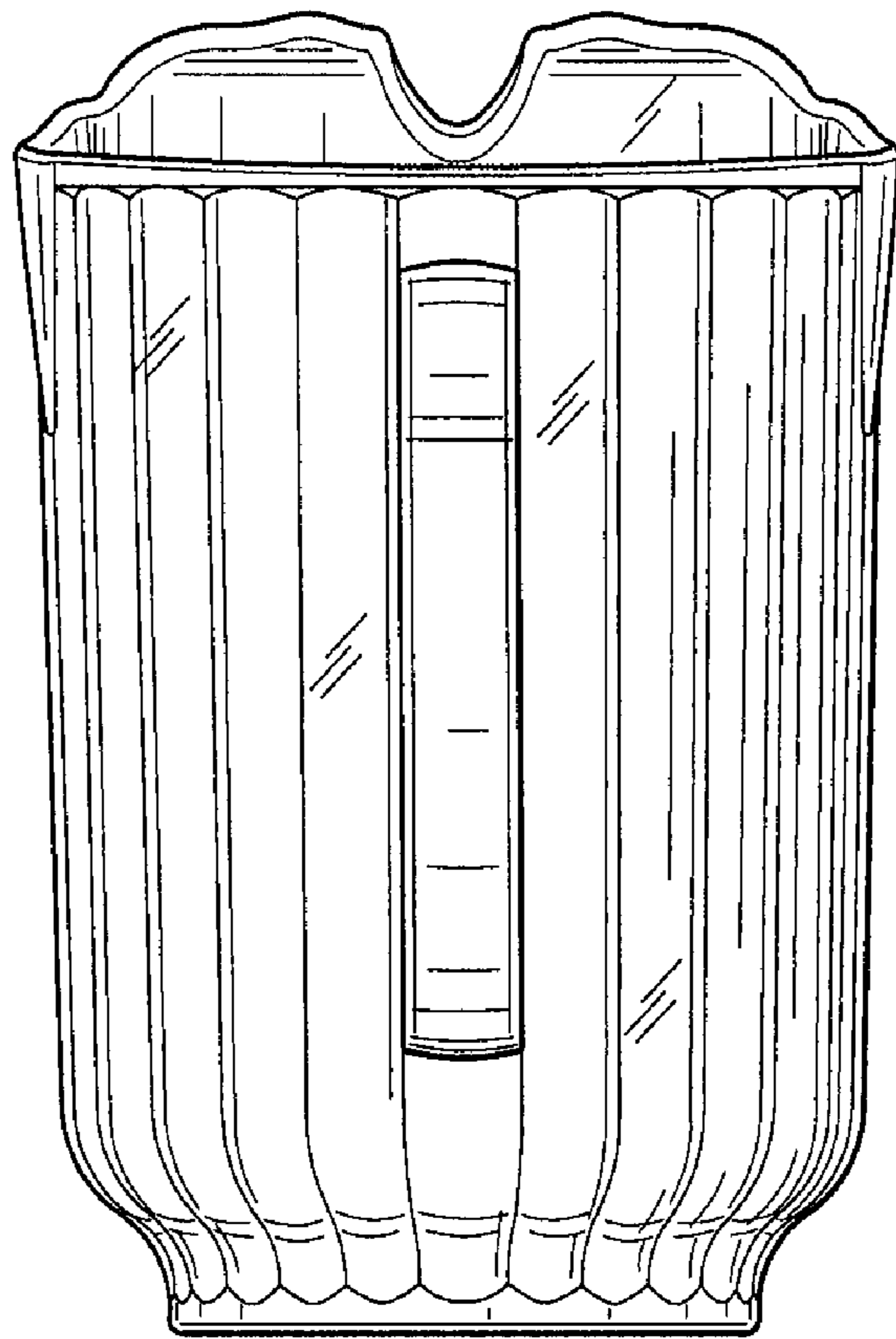


FIG. 1 1

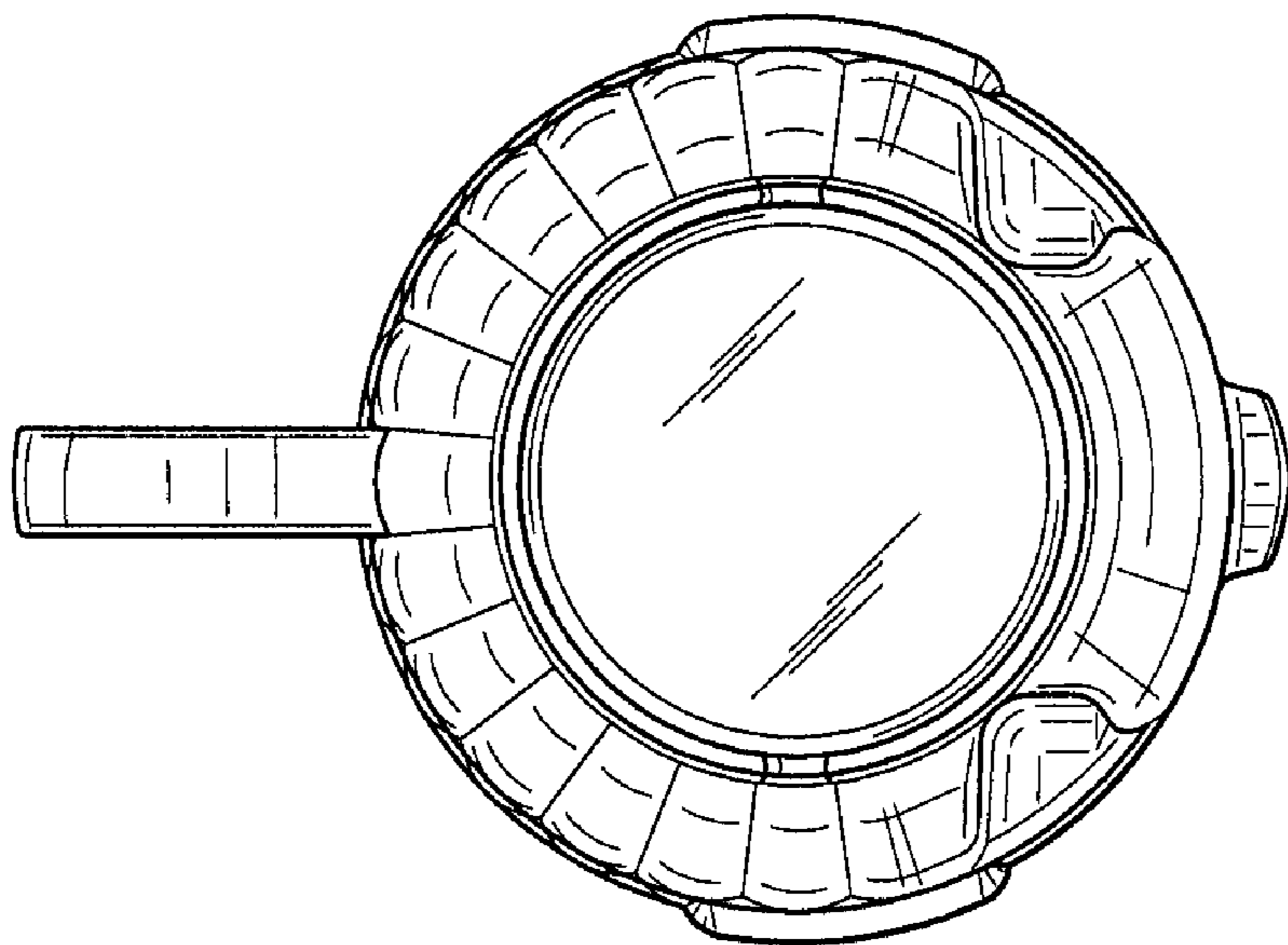


FIG. 1 2