

US00D568081S

(12) **United States Design Patent**
Thompson et al.

(10) **Patent No.:** **US D568,081 S**

(45) **Date of Patent:** **** May 6, 2008**

(54) **WALL MOUNTABLE WIRE MIRROR/SOAP DISH ASSEMBLY**

D282,993 S * 3/1986 Sanford D6/568
D455,273 S * 4/2002 Harwanko D6/568
D491,731 S * 6/2004 Harwanko D6/568
D532,636 S * 11/2006 Thorsteinsson et al. D6/540
D543,403 S * 5/2007 Tau D6/540

(75) Inventors: **Craig Thompson**, Inver Grove Heights, MN (US); **Christopher J Miller**, Milan (IT); **Peter J. Newbould**, Milan (IT)

* cited by examiner

(73) Assignee: **3M Innovative Properties Company**, St. Paul, MN (US)

Primary Examiner—Brian N Vinson
(74) *Attorney, Agent, or Firm*—David B. Patchett

(**) Term: **14 Years**

(57) **CLAIM**

(21) Appl. No.: **29/276,118**

The ornamental design for a wall mountable wire mirror/soap dish assembly, as shown and described.

(22) Filed: **Jan. 16, 2007**

DESCRIPTION

(51) **LOC (8) Cl.** **06-04**

FIG. 1 is a perspective view showing the new design for a wall mountable wire mirror/soap dish assembly;

(52) **U.S. Cl.** **D6/568**

FIG. 2 is a front view thereof;

(58) **Field of Classification Search** D6/524,
D6/527, 532, 536-540, 566, 568; D7/502,
D7/550, 554.2, 56; 206/77.1, 557, 587, 823;
211/13.1, 85.4, 85.12; D9/682, 690, 692
See application file for complete search history.

FIG. 3 is a rear view thereof;

FIG. 4 is a top view thereof;

FIG. 5 is a bottom view thereof; and,

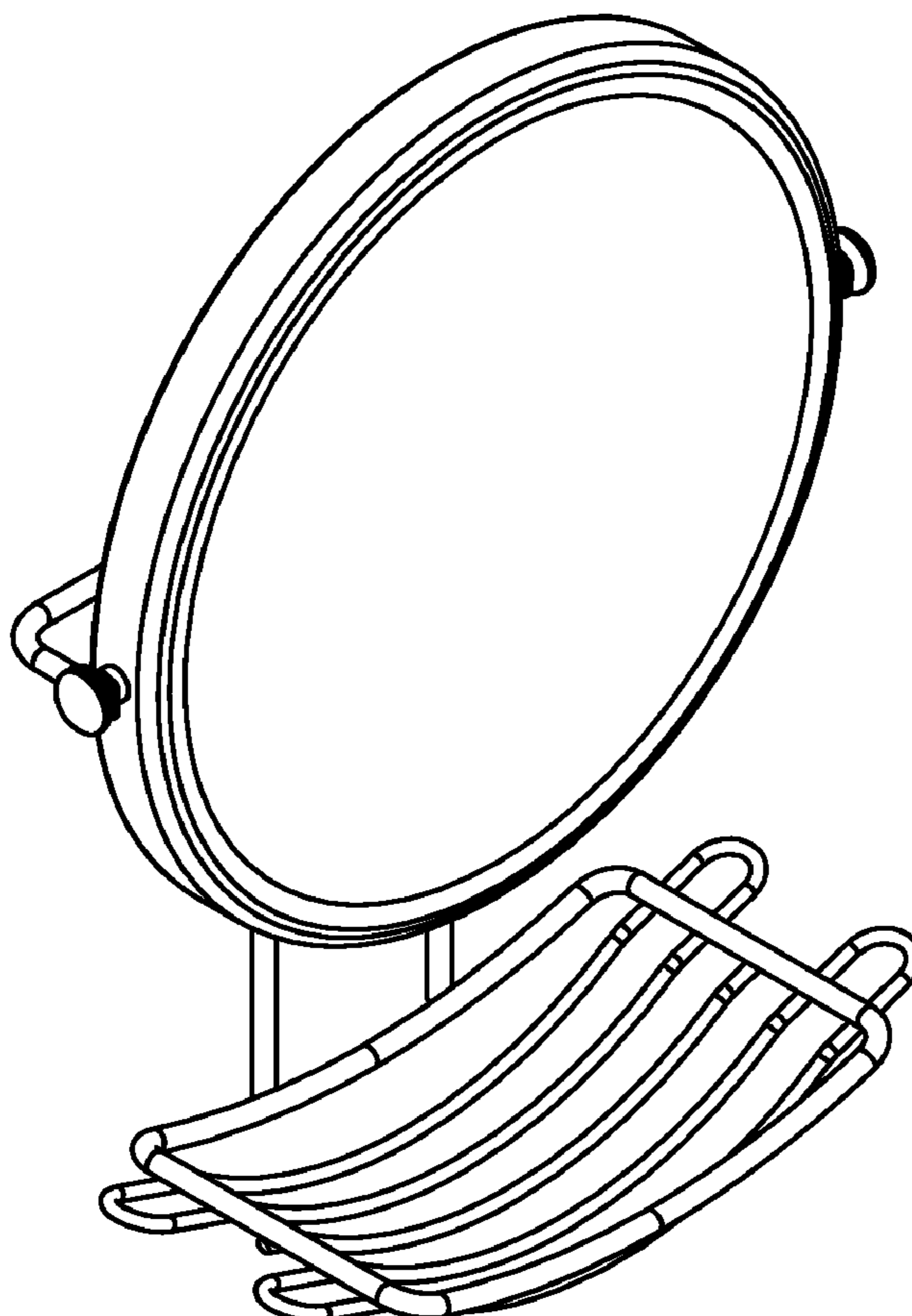
FIG. 6 is a side view thereof; the opposite side view thereof being a mirror image of the side view shown.

(56) **References Cited**

U.S. PATENT DOCUMENTS

D272,969 S * 3/1984 Sussman D6/568

1 Claim, 3 Drawing Sheets



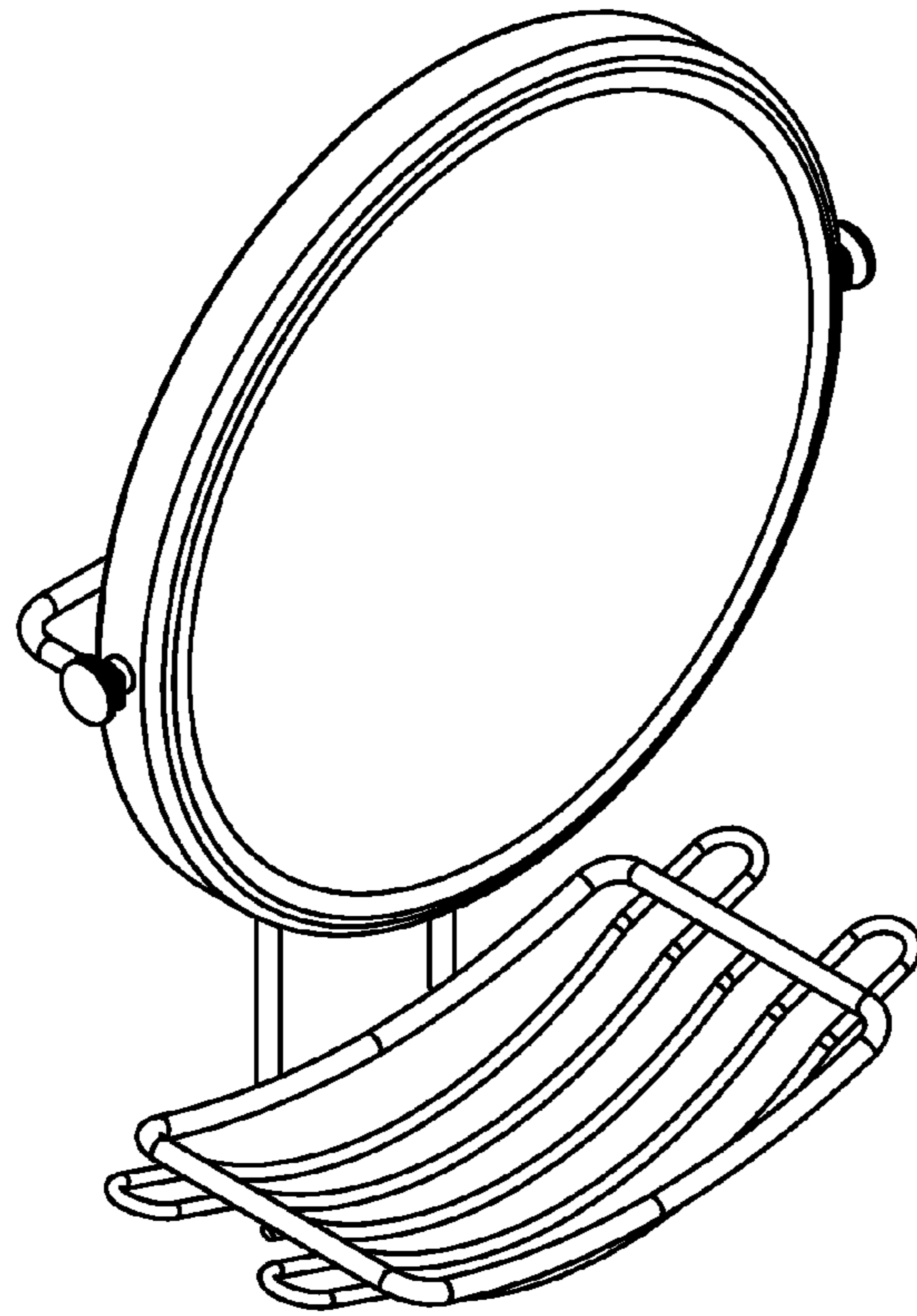


Fig. 1

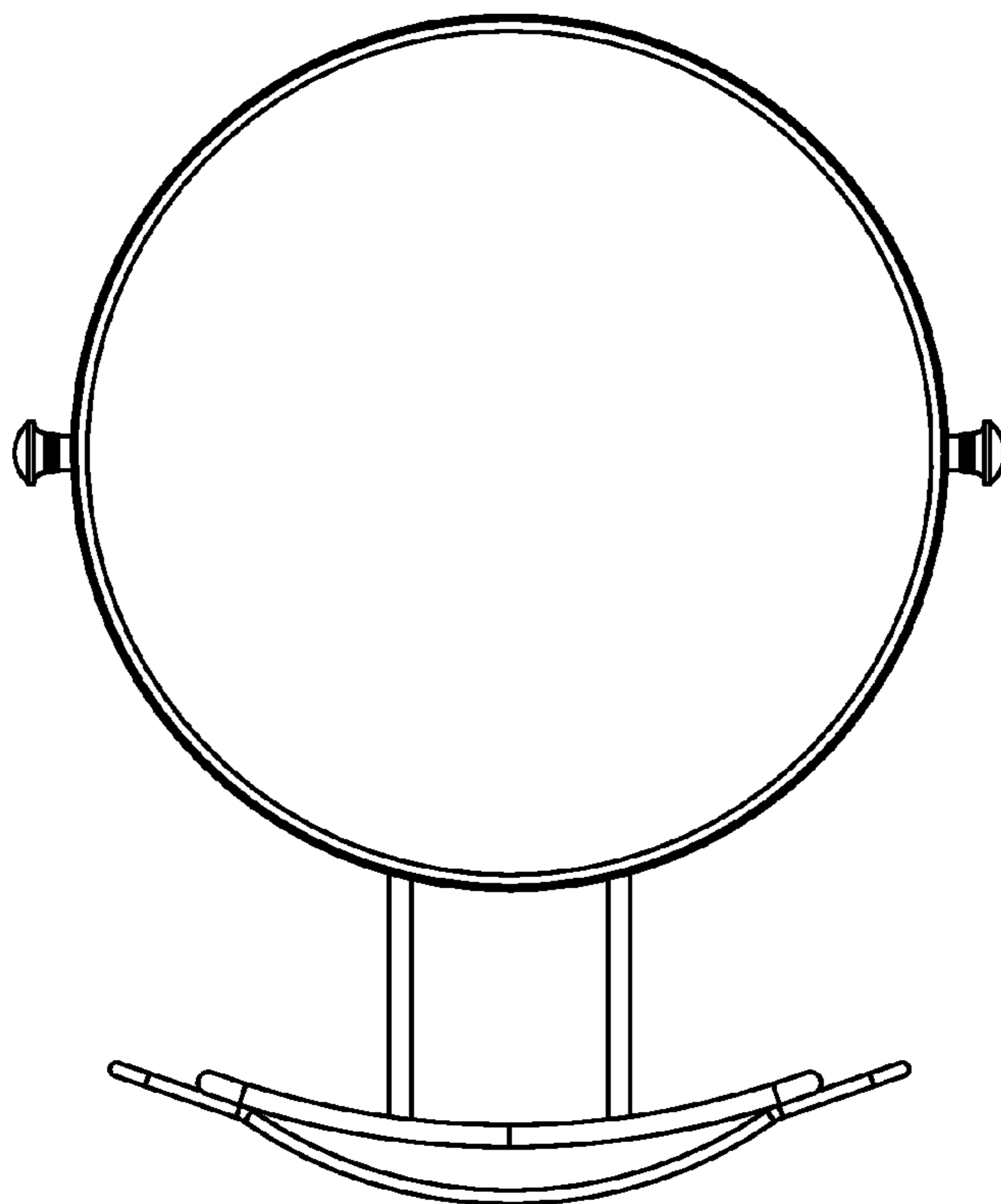


Fig. 2

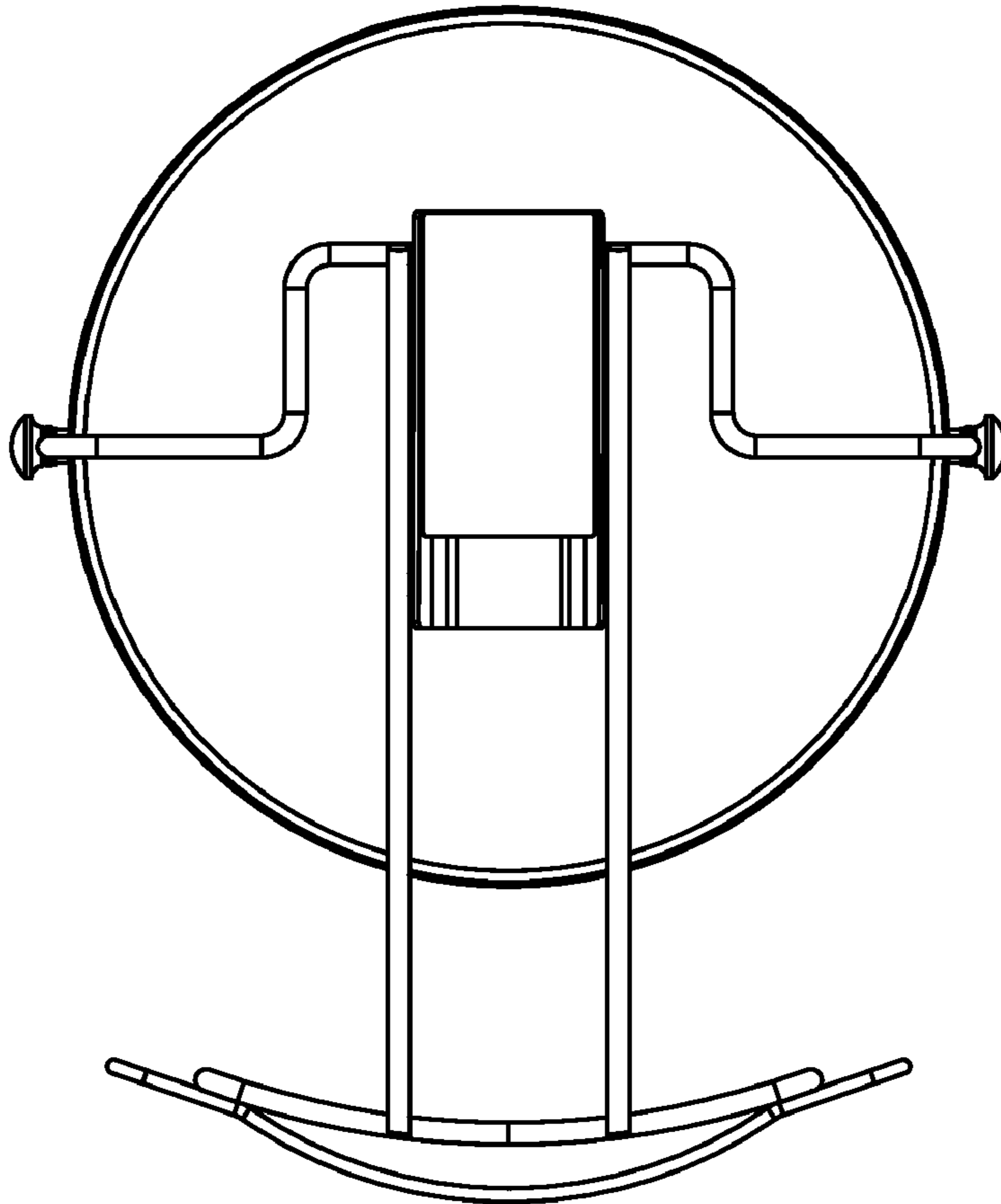


Fig. 3

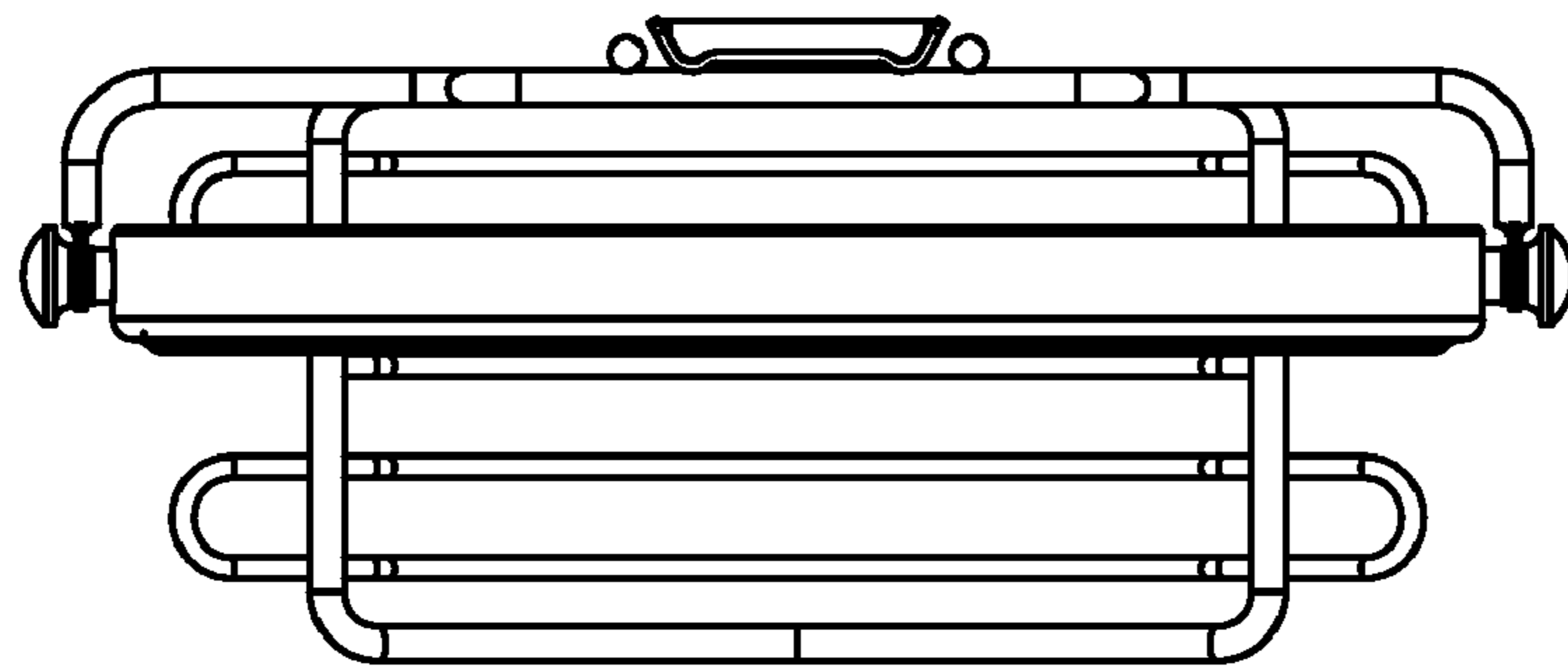


Fig. 4

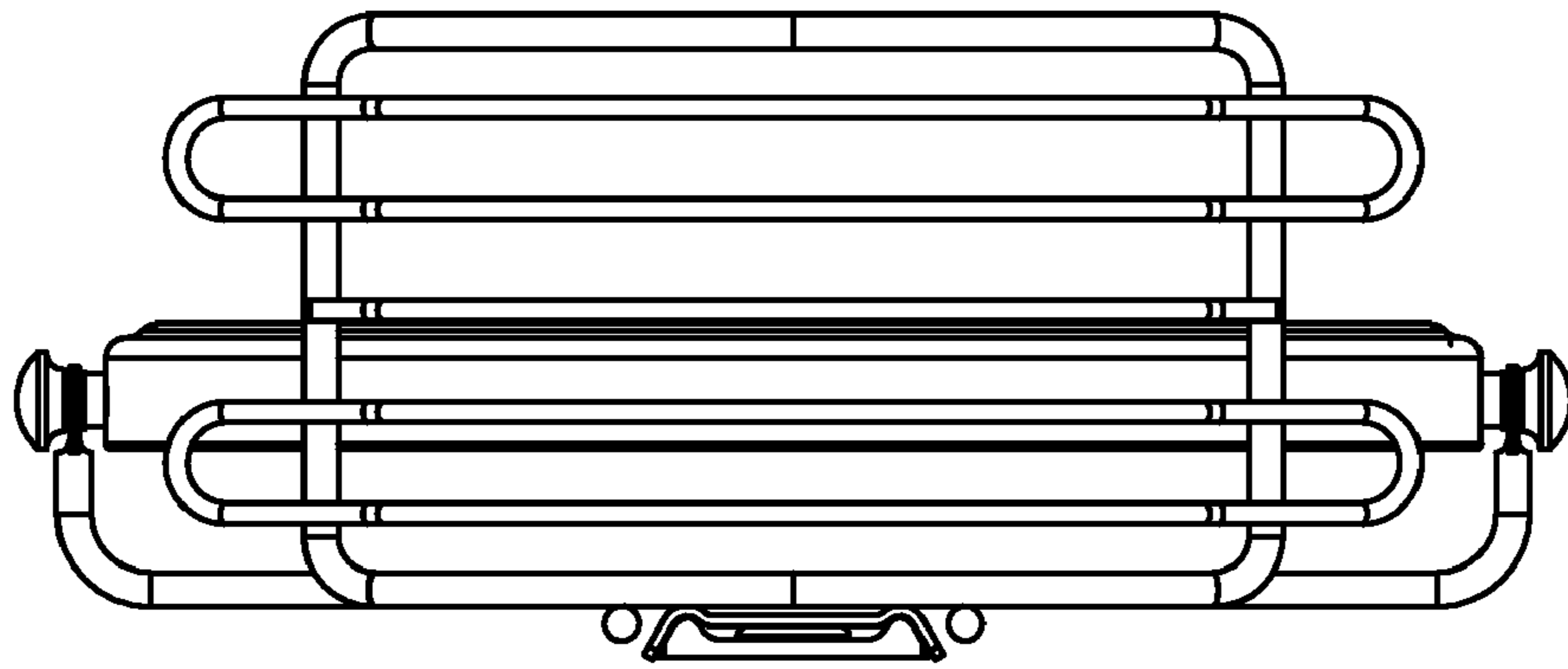


Fig. 5

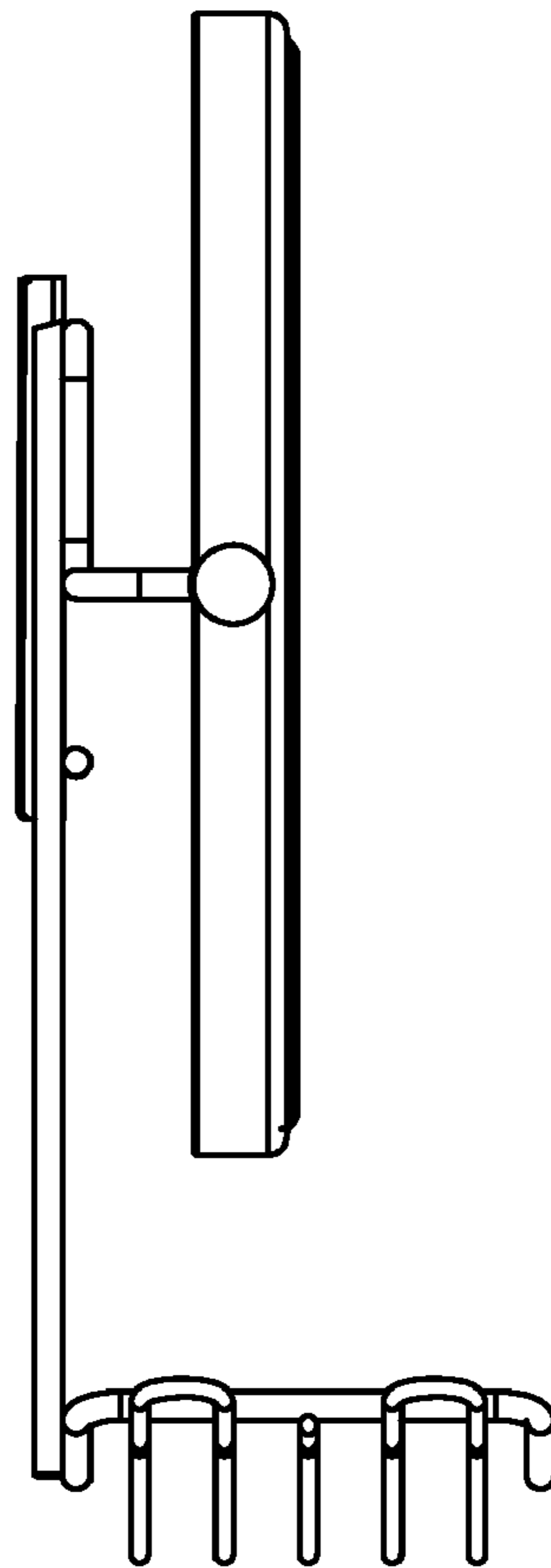


Fig. 6