

US00D568080S

(12) **United States Design Patent** (10) **Patent No.:** **US D568,080 S**
Bickler et al. (45) **Date of Patent:** **** May 6, 2008**

(54) **BATH ACCESSORY POST**
(75) Inventors: **Marc Bickler**, Charlotte, NC (US);
Victor Hoernig, Lowell, IN (US);
Geraint Krumpe, Chicago, IL (US)
(73) Assignee: **Brasstech, Inc.**, Santa Ana, CA (US)
(**) Term: **14 Years**

D520,282 S * 5/2006 Hoernig D6/550
D520,789 S * 5/2006 Zhu et al. D6/550
D520,792 S * 5/2006 Wu D6/550
D533,384 S * 12/2006 Gilbert D6/550
D533,642 S * 12/2006 Gilbert et al. D6/524
D544,266 S * 6/2007 Wu D6/524
D551,325 S * 9/2007 Kennard D6/524
D551,479 S * 9/2007 Gilbert D6/524
D554,406 S * 11/2007 Sedwick D6/524
D557,049 S * 12/2007 Sedwick et al. D6/524

(21) Appl. No.: **29/279,580**

(22) Filed: **May 3, 2007**

(51) **LOC (8) Cl.** **23-02**

(52) **U.S. Cl.** **D6/524; D6/550**

(58) **Field of Classification Search** D6/524,
D6/546-550; D8/300, 303, 315-321, 354,
D8/363, 373, 380; 108/28-29; 211/13.1,
211/16, 60.1, 86.01, 87.01, 88.01, 88.04,
211/100, 105.1, 105.2, 123, 126.1, 133.6,
211/134, 181.1, 182; 248/175, 176.1, 200,
248/251, 302, 309.1; 16/110.1, 412, 415;
242/570, 590, 595-598; 206/389, 557

See application file for complete search history.

(56) **References Cited**

U.S. PATENT DOCUMENTS

D516,354 S * 3/2006 Sedwick D6/550
D516,357 S * 3/2006 Gilbert et al. D6/550

* cited by examiner

Primary Examiner—Brian N Vinson

(74) *Attorney, Agent, or Firm*—Edgar A. Zarins; Lloyd D. Doigan

(57) **CLAIM**

The ornamental design for a bath accessory post, as shown and described.

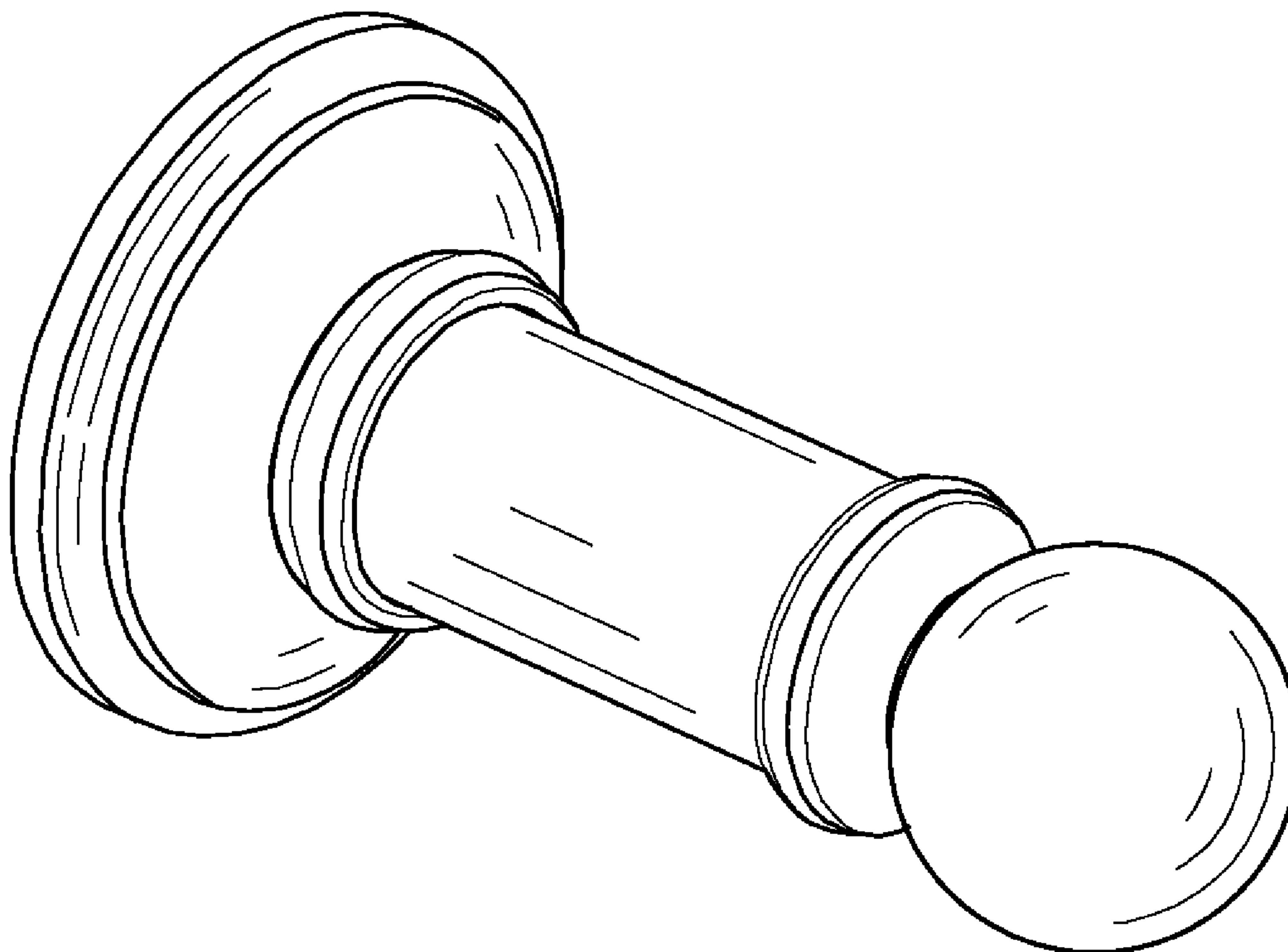
DESCRIPTION

FIG. 1 is a front perspective view of a bath accessory post showing our design;

FIG. 2 is a right side elevational view thereof; the left side elevational view being a mirror image thereof; and,

FIG. 3 is a front elevational view thereof.

1 Claim, 3 Drawing Sheets



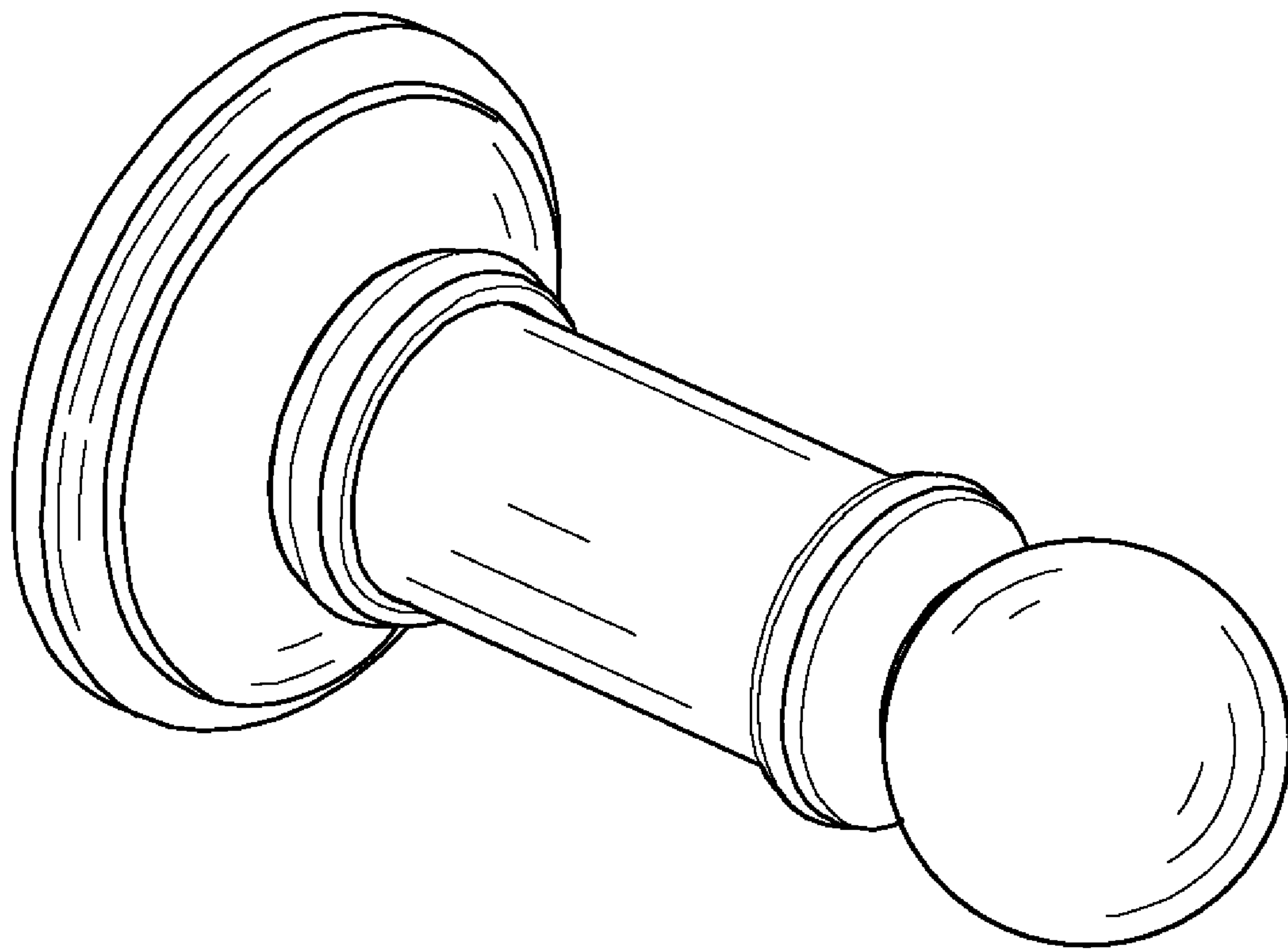


FIG. 1

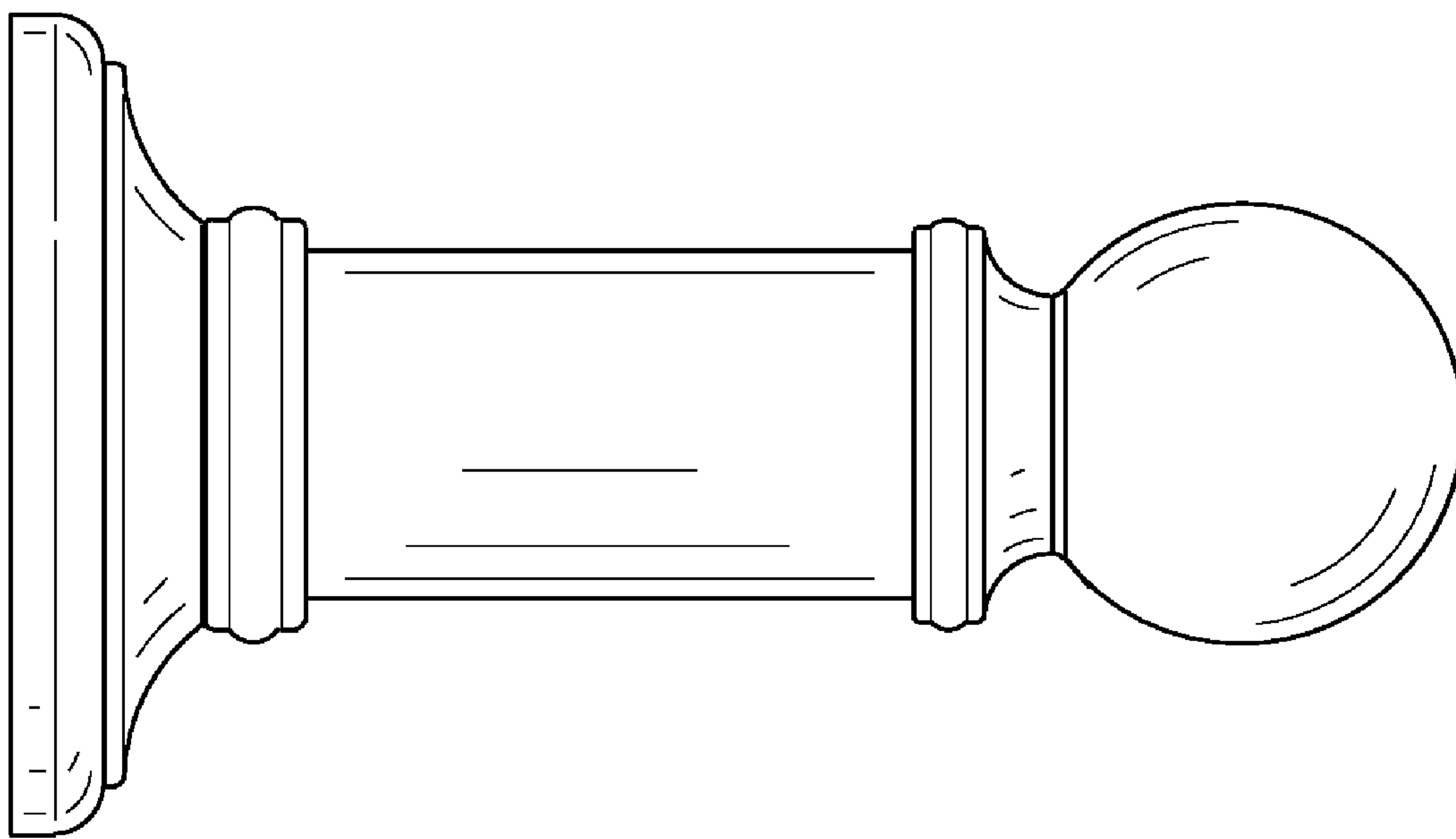


FIG. 2

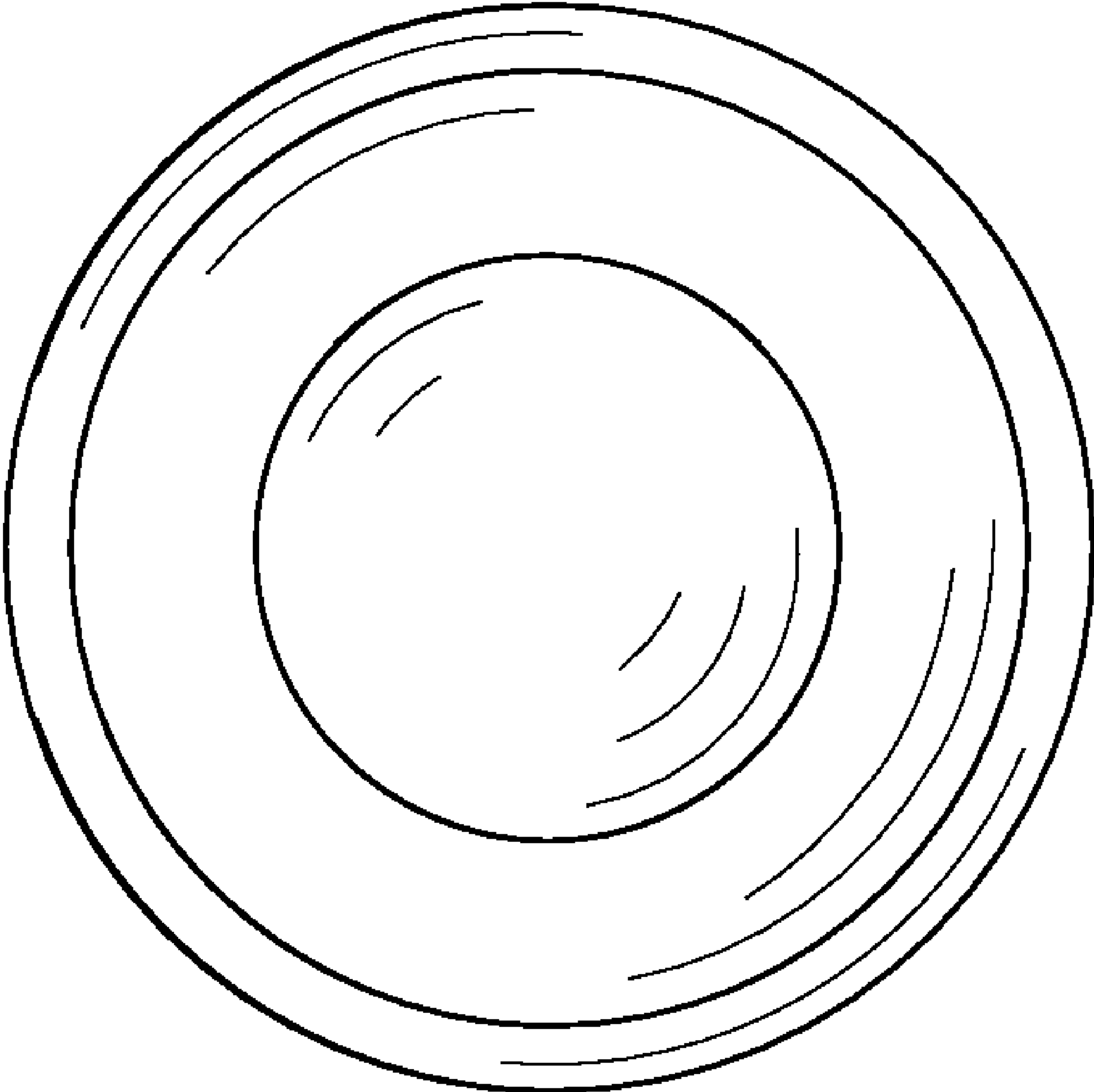


FIG. 3