

US00D568078S

(12) **United States Design Patent** (10) **Patent No.:** **US D568,078 S**  
**Kohagen et al.** (45) **Date of Patent:** **\*\* May 6, 2008**

(54) **DRAWER TRIM**

(75) Inventors: **Steven F. Kohagen**, Waverly, IA (US);  
**Nicole E. Freeberg**, Roberts, WI (US)

(73) Assignee: **Waterloo Industries, Inc.**, Waterloo, IA (US)

(\*\*) Term: **14 Years**

(21) Appl. No.: **29/280,553**

(22) Filed: **May 31, 2007**

D393,541 S 4/1998 Calmeise  
D403,570 S \* 1/1999 Relyea et al. .... D8/300  
5,857,757 A 1/1999 Bieker et al.  
D423,818 S 5/2000 Holcomb et al.  
D427,807 S 7/2000 Holcomb et al.  
6,109,709 A 8/2000 Holcomb et al.  
D430,426 S 9/2000 Bieker et al.  
6,176,559 B1 1/2001 Tiramani et al.  
D448,168 S 9/2001 Johnston  
D449,181 S 10/2001 Story et al.  
D453,074 S 1/2002 Johnston  
6,347,847 B1 2/2002 Tiramani et al.

(Continued)

(51) **LOC (8) Cl.** ..... **06-06**

(52) **U.S. Cl.** ..... **D6/510**

(58) **Field of Classification Search** ..... D3/297,  
D3/304, 307, 312, 319; D6/349, 352, 400,  
D6/407, 432-439, 441-448, 475-476, 481,  
D6/491-495, 509-511, 631-633; D8/300,  
D8/313; D14/125, 355, 356, 442; D15/89;  
D32/25; D34/12, 27; 220/602, 662-665;  
312/140.1, 140.3, 328, 330.1, 348.1, 348.4,  
312/351.3

See application file for complete search history.

(56) **References Cited**

U.S. PATENT DOCUMENTS

D182,558 S \* 4/1958 Willman et al. .... D8/313  
D205,522 S 8/1966 Doman  
D218,080 S 7/1970 Sierzega  
4,120,549 A 10/1978 Bureau  
D327,967 S 7/1992 Hikawa  
D341,253 S 11/1993 Ballman et al.  
5,332,305 A 7/1994 Slivon et al.  
5,443,311 A 8/1995 Kadlecek et al.  
D361,910 S 9/1995 Maple et al.  
D370,342 S 6/1996 Gwyther  
D370,572 S 6/1996 Lin  
D372,378 S 8/1996 Kruger  
5,607,214 A 3/1997 Pierce et al.  
D381,166 S 7/1997 Bonazza  
D385,722 S 11/1997 Yemini  
D386,626 S 11/1997 Yemini  
5,720,535 A 2/1998 Mehman

*Primary Examiner*—Mimosa De  
*Assistant Examiner*—Ricky Pham  
(74) *Attorney, Agent, or Firm*—Calfee, Halter & Griswold  
LLP

(57) **CLAIM**

The ornamental design for a drawer trim, as shown and described.

**DESCRIPTION**

FIG. 1 is a perspective view of the new, original, and ornamental design for a drawer trim, wherein the drawer trim is attached to a drawer;

FIG. 2 is a perspective view of the drawer trim of FIG. 1;

FIG. 3 is a front elevational view of the drawer trim of FIG. 1;

FIG. 4 is a rear elevational view of the drawer trim of FIG. 1;

FIG. 5 is a right side elevational view of the drawer trim of FIG. 1;

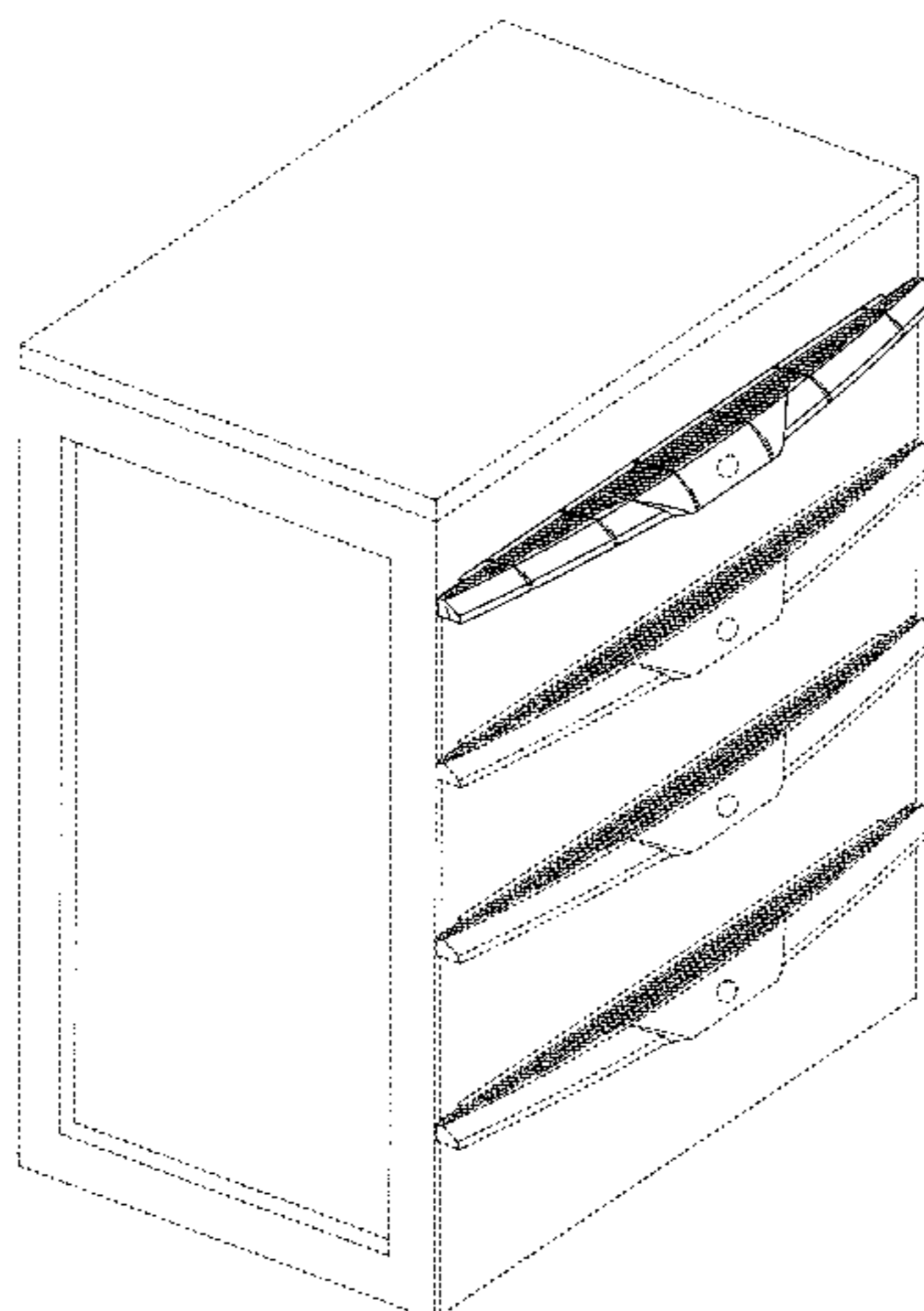
FIG. 6 is a left side elevational view of the drawer trim of FIG. 1; a

FIG. 7 is a top plan view of the drawer trim of FIG. 1; and,

FIG. 8 is a bottom plan view of the drawer trim of FIG. 1.

The portions of the Figures shown in broken lines are not part of the claimed design and are for illustration only.

**1 Claim, 5 Drawing Sheets**



# US D568,078 S

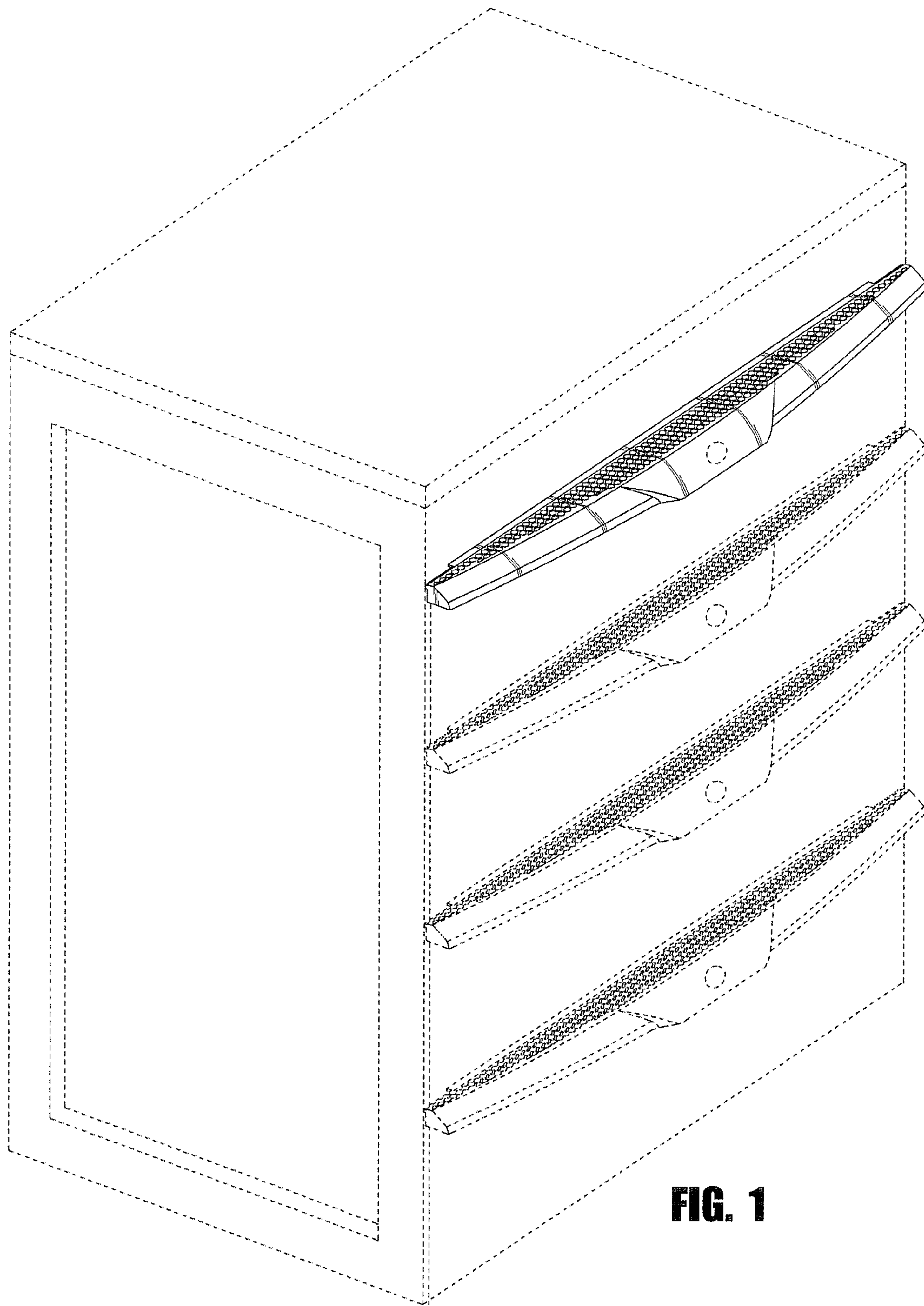
Page 2

---

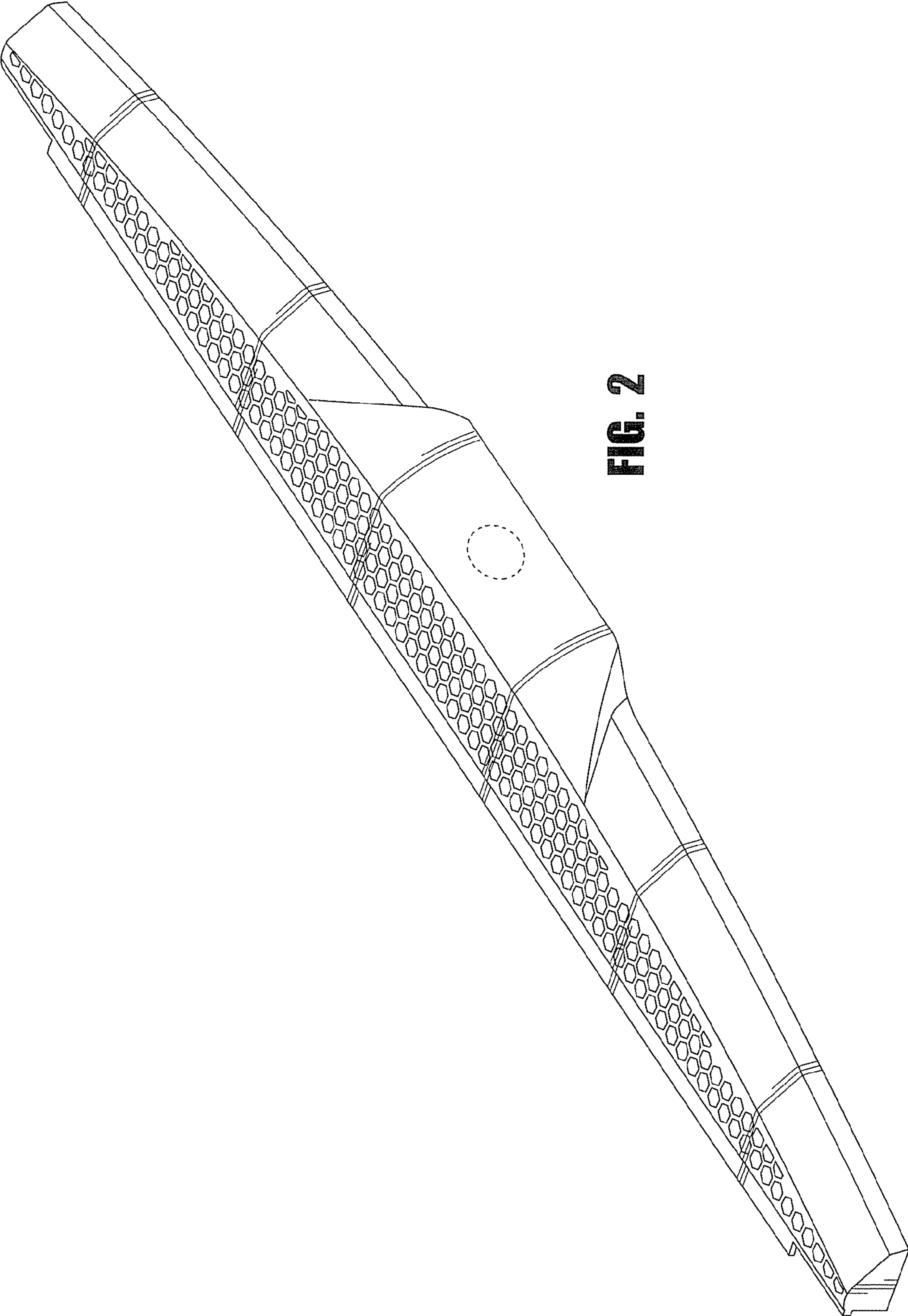
## U.S. PATENT DOCUMENTS

D455,902 S	4/2002	Wolf	
D457,704 S	5/2002	Fiscus et al.	
D470,687 S	2/2003	Binse et al.	
D479,723 S *	9/2003	Braun et al. ....	D15/89
D492,328 S *	6/2004	Uihlein et al. ....	D15/89
D504,260 S *	4/2005	Arceta .....	D6/510
D505,237 S	5/2005	Schmidt et al.	
D506,090 S	6/2005	Ben-Or	
D506,870 S *	7/2005	Uihlein et al. ....	D3/307
D511,061 S *	11/2005	Ben-Or .....	D6/510
D514,854 S	2/2006	Schmidt et al.	
D517,805 S	3/2006	Hosking	
D520,784 S	5/2006	Schmidt et al.	
D526,782 S	8/2006	Hosking	
D536,196 S *	2/2007	Bixby et al. ....	D6/446
D538,997 S *	3/2007	Schlembach .....	D34/12
D547,160 S	7/2007	Hand et al.	
D549,408 S *	8/2007	Lee .....	D32/25
D554,864 S *	11/2007	Hand .....	D3/297
2002/0030425 A1	3/2002	Tiramani et al.	
2002/0074905 A1	6/2002	Tiramani et al.	

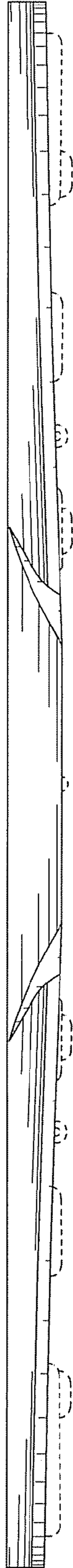
\* cited by examiner



**FIG. 1**



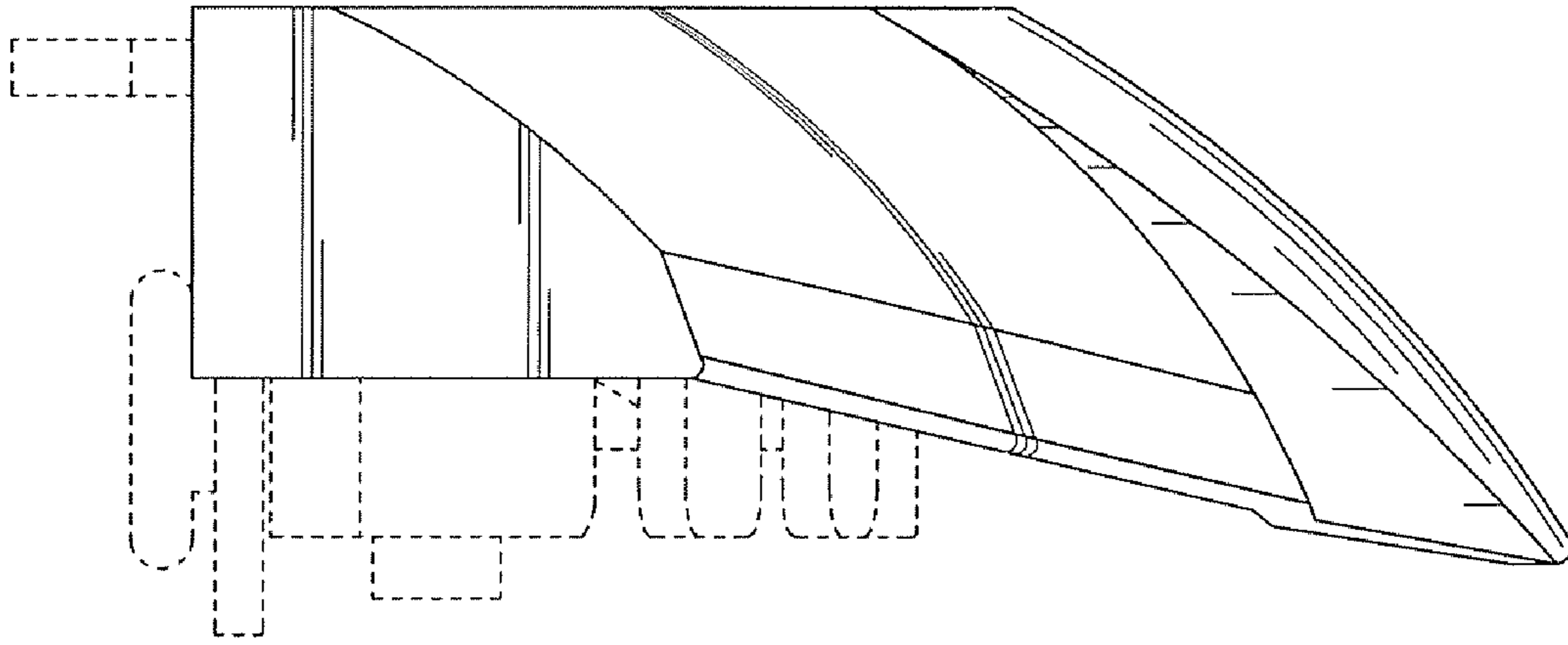
**FIG. 2**



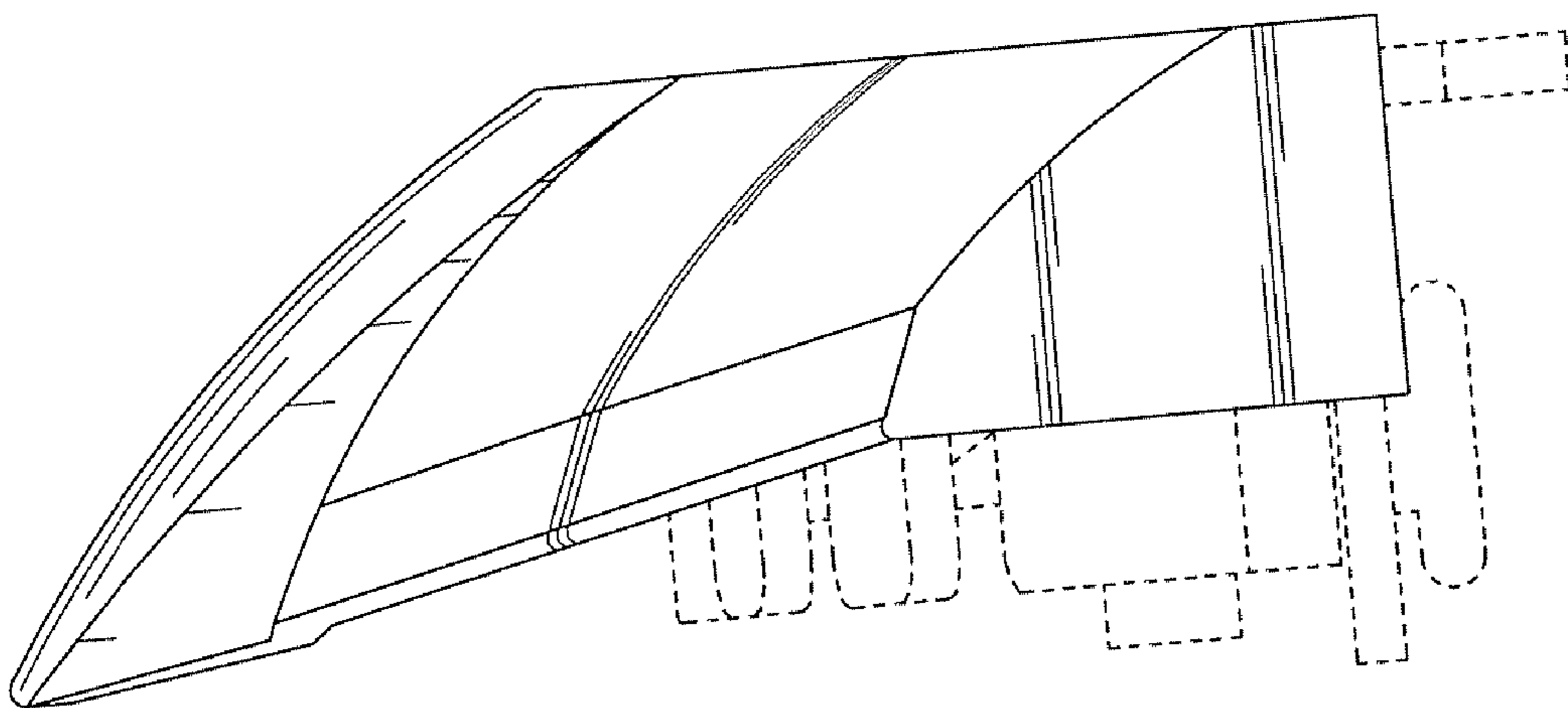
**FIG. 3**



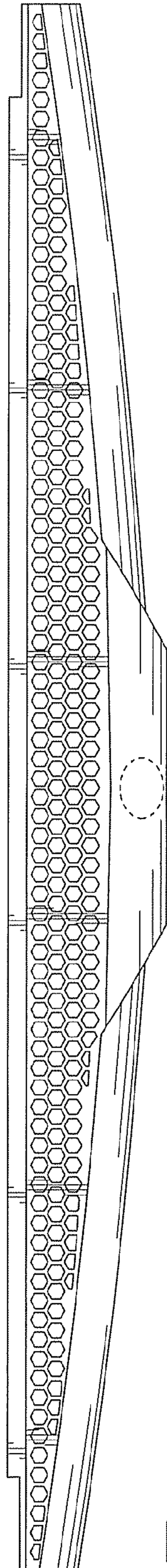
**FIG. 4**



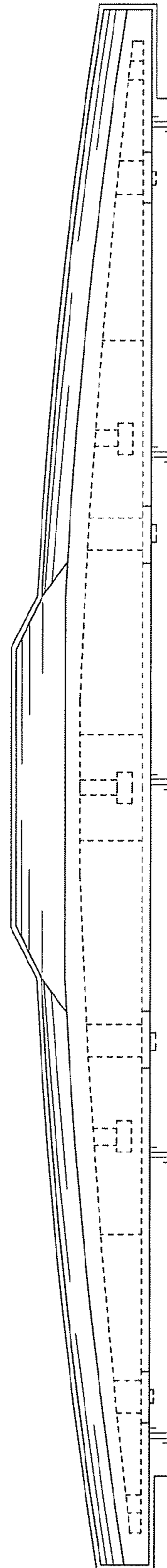
**FIG. 5**



**FIG. 6**



**FIG. 7**



**FIG. 8**