

US00D568077S

(12) **United States Design Patent**
Klein et al.

(10) **Patent No.:** **US D568,077 S**

(45) **Date of Patent:** **** May 6, 2008**

(54) **TWO COMPARTMENT DRAWER DIVIDER**

D485,706 S *	1/2004	O'Connell Cooper et al.	D6/462
D505,047 S *	5/2005	Alaoui	D7/409
D547,094 S *	7/2007	Klein et al.	D6/462
D555,462 S *	11/2007	Moffitt et al.	D8/370

(75) Inventors: **Richard B. Klein**, Overland Park, KS (US); **Mark A. Etter**, Independence, MO (US)

(73) Assignee: **Lynk, Inc.**, Lenexa, KS (US)

* cited by examiner

(**) Term: **14 Years**

Primary Examiner—Mimosa De
Assistant Examiner—Ricky Pham

(21) Appl. No.: **29/246,752**

(74) *Attorney, Agent, or Firm*—Husch Blackwell Sanders

(22) Filed: **May 8, 2006**

(57) **CLAIM**

(51) **LOC (8) Cl.** **06-06**

The ornamental design for a two compartment drawer divider, as shown and described.

(52) **U.S. Cl.** **D6/509**

(58) **Field of Classification Search** D6/409-415,
D6/449, 455-458, 461-468, 474-476, 510,
D6/525, 566; D7/323, 354-361, 388, 409,
D7/605; D8/370; D19/78, 83, 86, 92; 211/41.8,
211/41.12, 49.1, 85.31, 90.03, 106, 111, 126.15-126.16,
211/126.8-126.9, 133.2, 133.5, 153, 188;
220/491; 248/166, 302; 312/330.1, 334.27,
312/334.44, 334.7, 408-410

DESCRIPTION

See application file for complete search history.

FIG. 1 is a front perspective view of a two compartment drawer divider showing our new design;

FIG. 2 is a top view thereof;

FIG. 3 is a bottom view thereof;

FIG. 4 is a front elevational view, the opposite side being a mirror thereof;

FIG. 5 is a side elevational view thereof, the opposite side being a mirror thereof; and,

FIG. 6 is a front perspective view of a two compartment drawer divider attached to a drawer shown in broken lines.

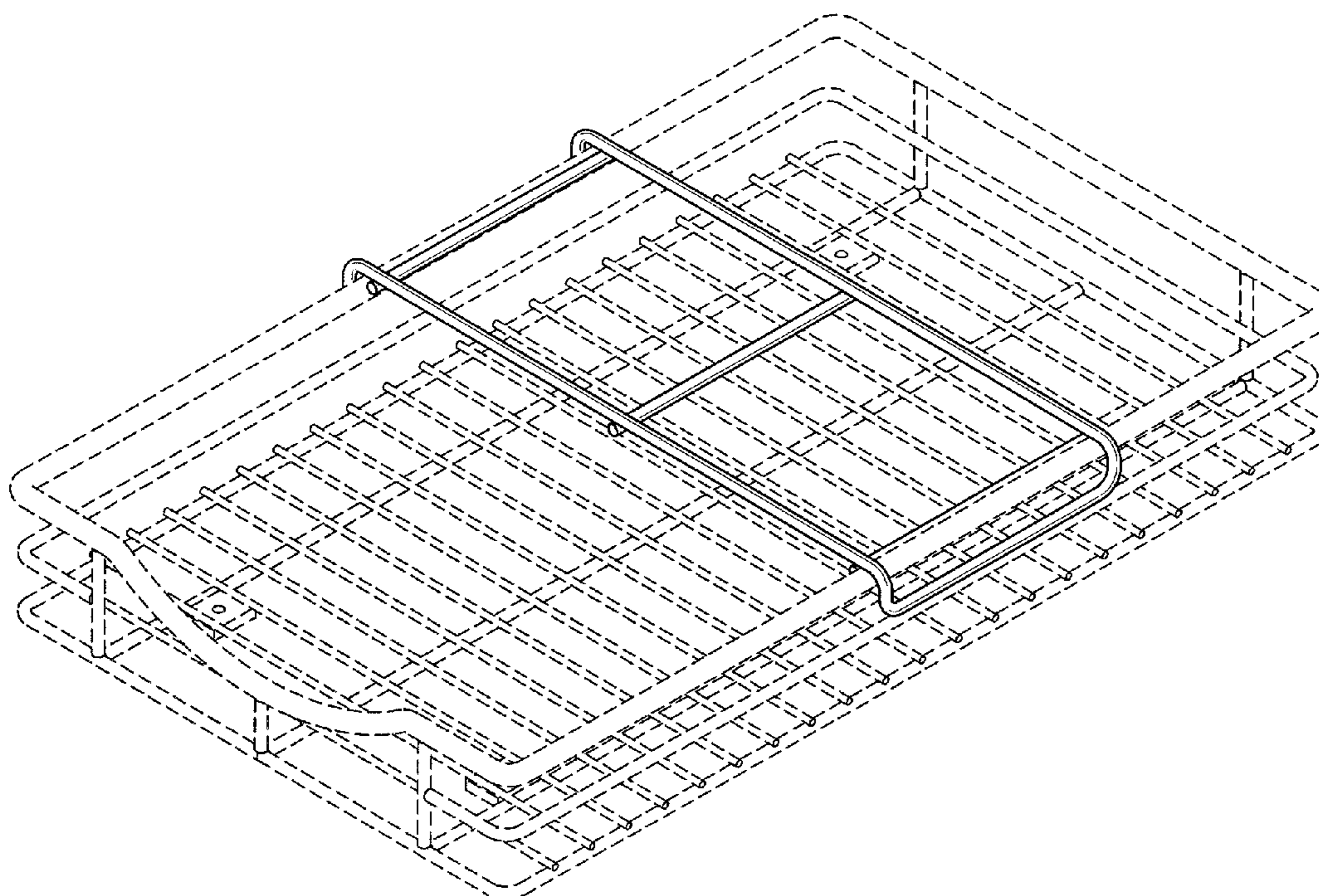
The broken lines showing a drawer in FIG. 6 are for illustrative purposes only and form no part of the claimed design.

(56) **References Cited**

U.S. PATENT DOCUMENTS

D181,366 S *	11/1957	Miller	D6/462
D416,169 S *	11/1999	Sarnoff et al.	D7/388
D441,996 S *	5/2001	Wright	D6/525
D448,225 S *	9/2001	Wright	D6/525
6,425,558 B1 *	7/2002	Saunders	248/166
D479,435 S *	9/2003	Siegel et al.	D7/409
D484,003 S *	12/2003	Bozych	D7/605

1 Claim, 5 Drawing Sheets



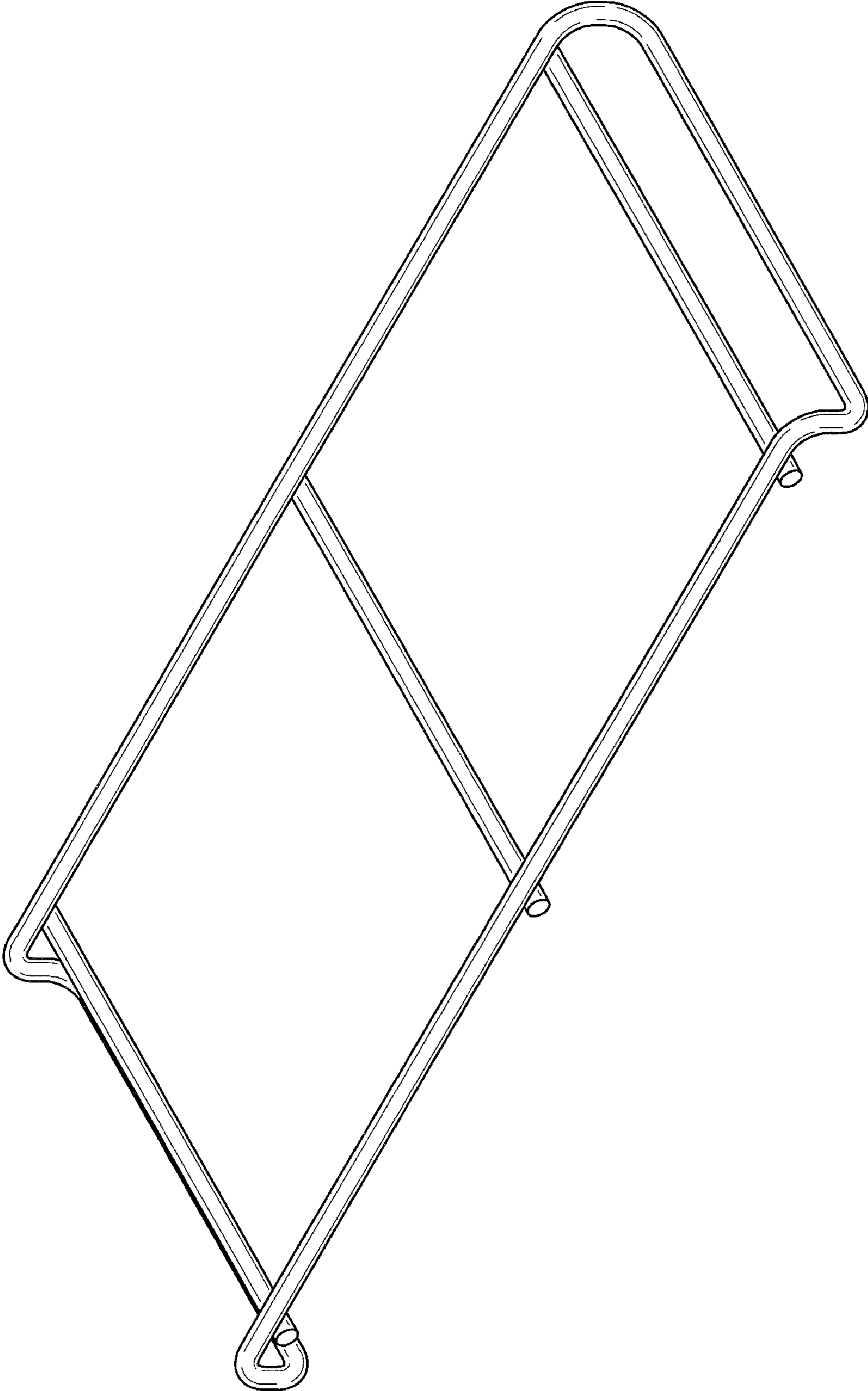


FIG. 1

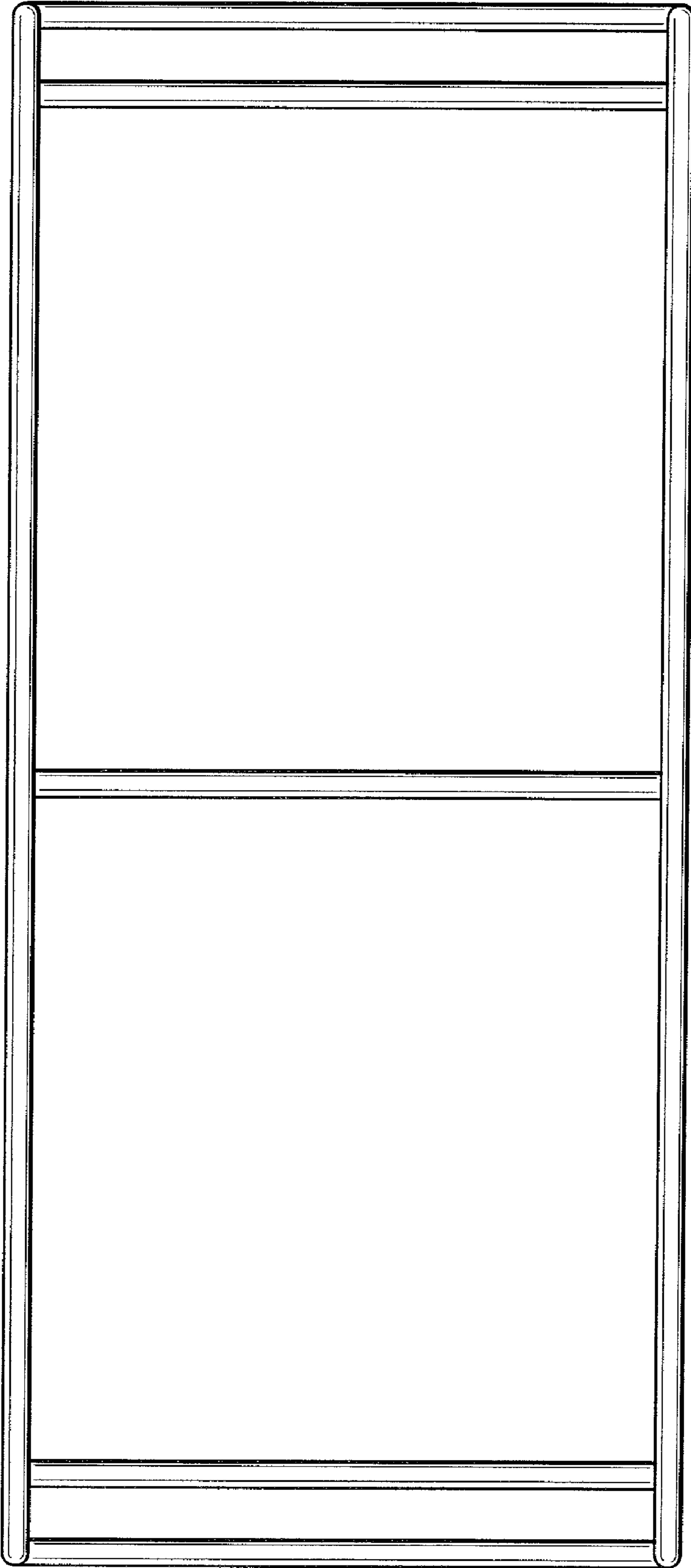


FIG. 2

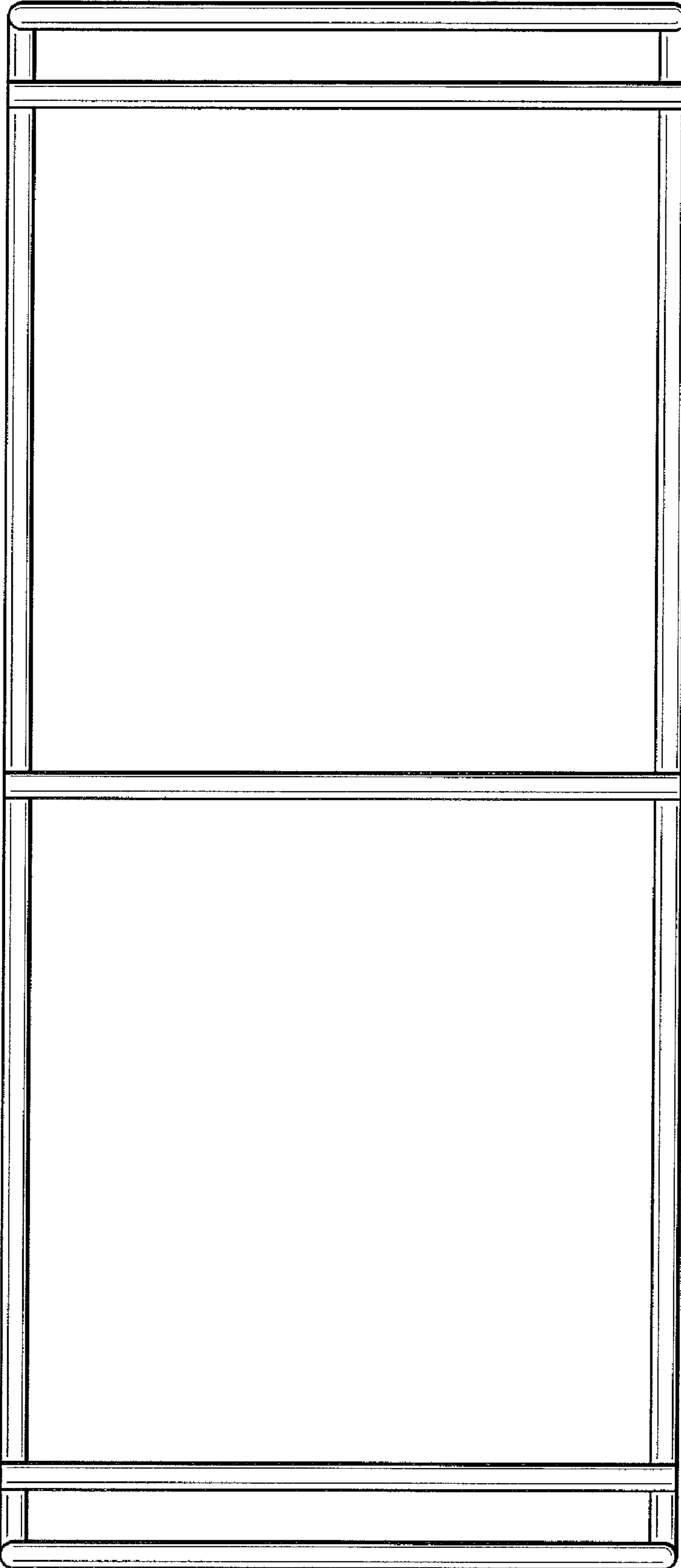


FIG. 3

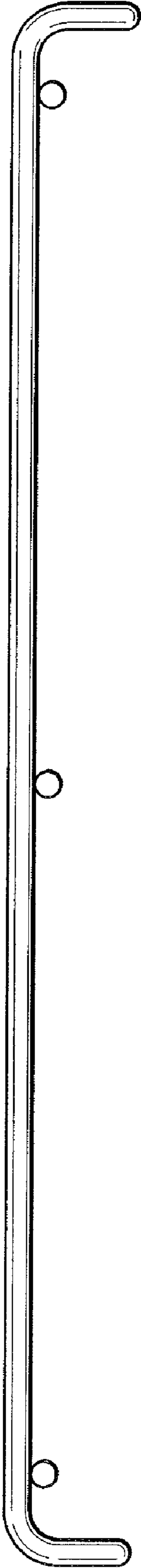


FIG. 4

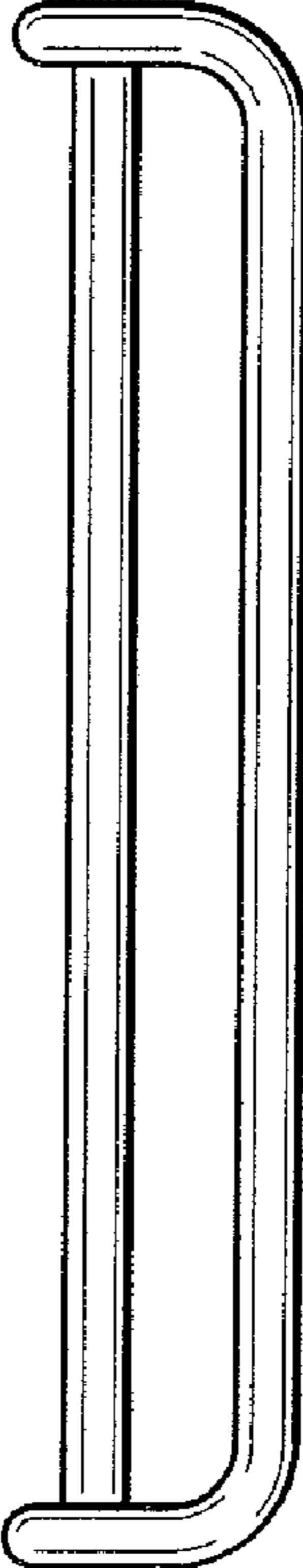


FIG. 5

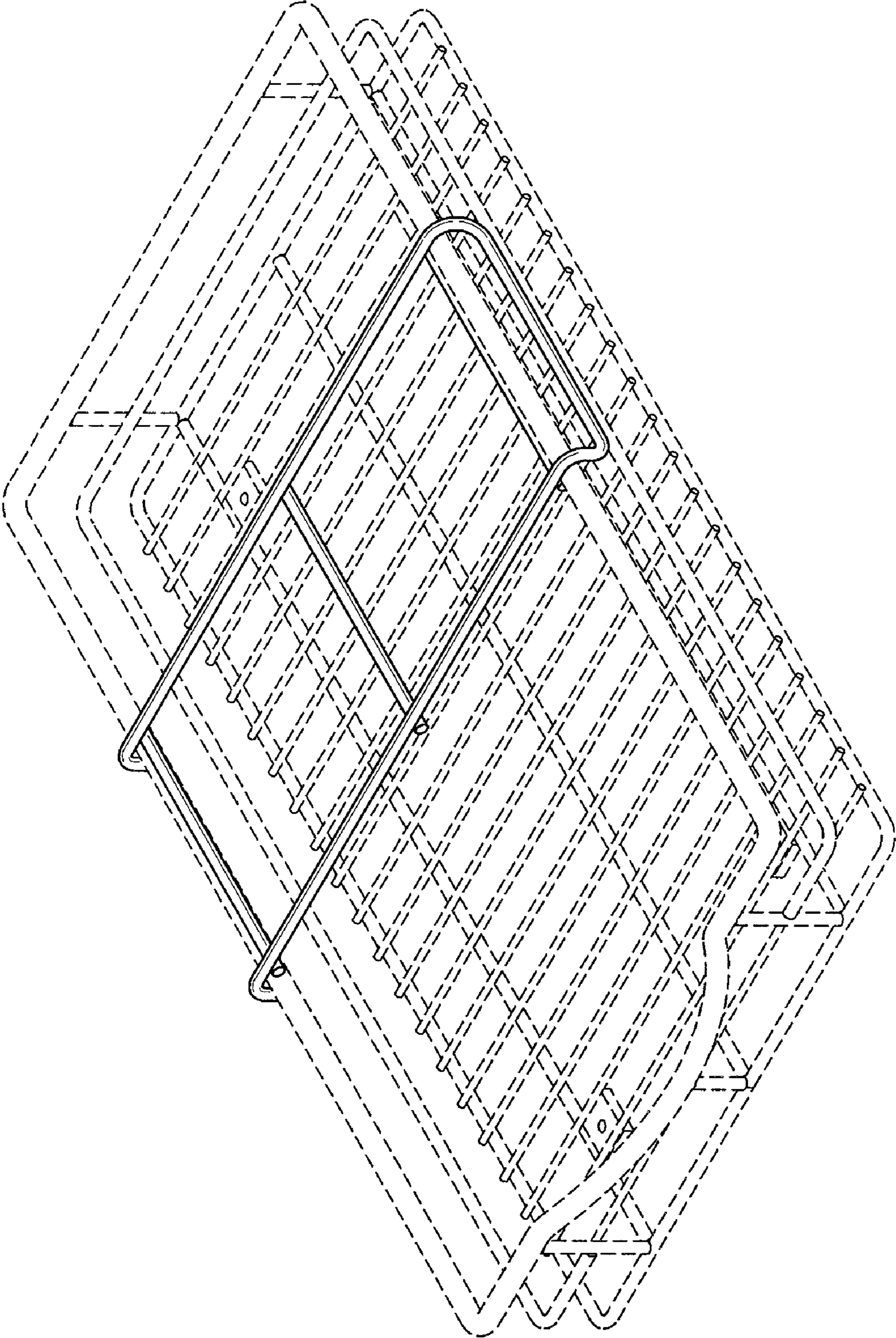


FIG. 6