



US00D568069S

(12) **United States Design Patent**
Berger

(10) **Patent No.:** **US D568,069 S**

(45) **Date of Patent:** **** May 6, 2008**

(54) **JEWELRY ORGANIZER**

(76) Inventor: **Andrew Berger**, 2320 Birchwood Ct.
N., Buffalo Grove, IL (US) 60089

(**) Term: **14 Years**

(21) Appl. No.: **29/284,172**

(22) Filed: **Aug. 31, 2007**

(51) **LOC (8) Cl.** **06-04**

(52) **U.S. Cl.** **D6/476**

(58) **Field of Classification Search** D6/476,
D6/439, 445, 432, 448, 509, 85, 188, 191,
D6/199, 511, 510; D7/38; 211/134, 135,
211/148, 153; D19/92, 22, 75, 78, 86

See application file for complete search history.

(56) **References Cited**

U.S. PATENT DOCUMENTS

D255,195 S *	6/1980	Smith	D6/511
D260,102 S *	8/1981	Evans	D19/92
D264,159 S *	5/1982	Bennett et al.	D6/555
D274,205 S *	6/1984	Kates	D6/509
4,619,365 A *	10/1986	Kelly et al.	206/503
D351,079 S *	10/1994	Brown	D6/510
D477,166 S *	7/2003	Petri	D6/510

D477,479 S *	7/2003	Henderson et al.	D6/510
D486,331 S *	2/2004	Boron	D6/511
6,695,419 B2 *	2/2004	Searer et al.	312/348.3

* cited by examiner

Primary Examiner—Elizabeth A. Albert
Assistant Examiner—Kelley A. Donnelly

(74) *Attorney, Agent, or Firm*—Law Office of Marc D. Machtinger, Ltd.

(57) **CLAIM**

The ornamental design for a “jewelry organizer,” as shown and described.

DESCRIPTION

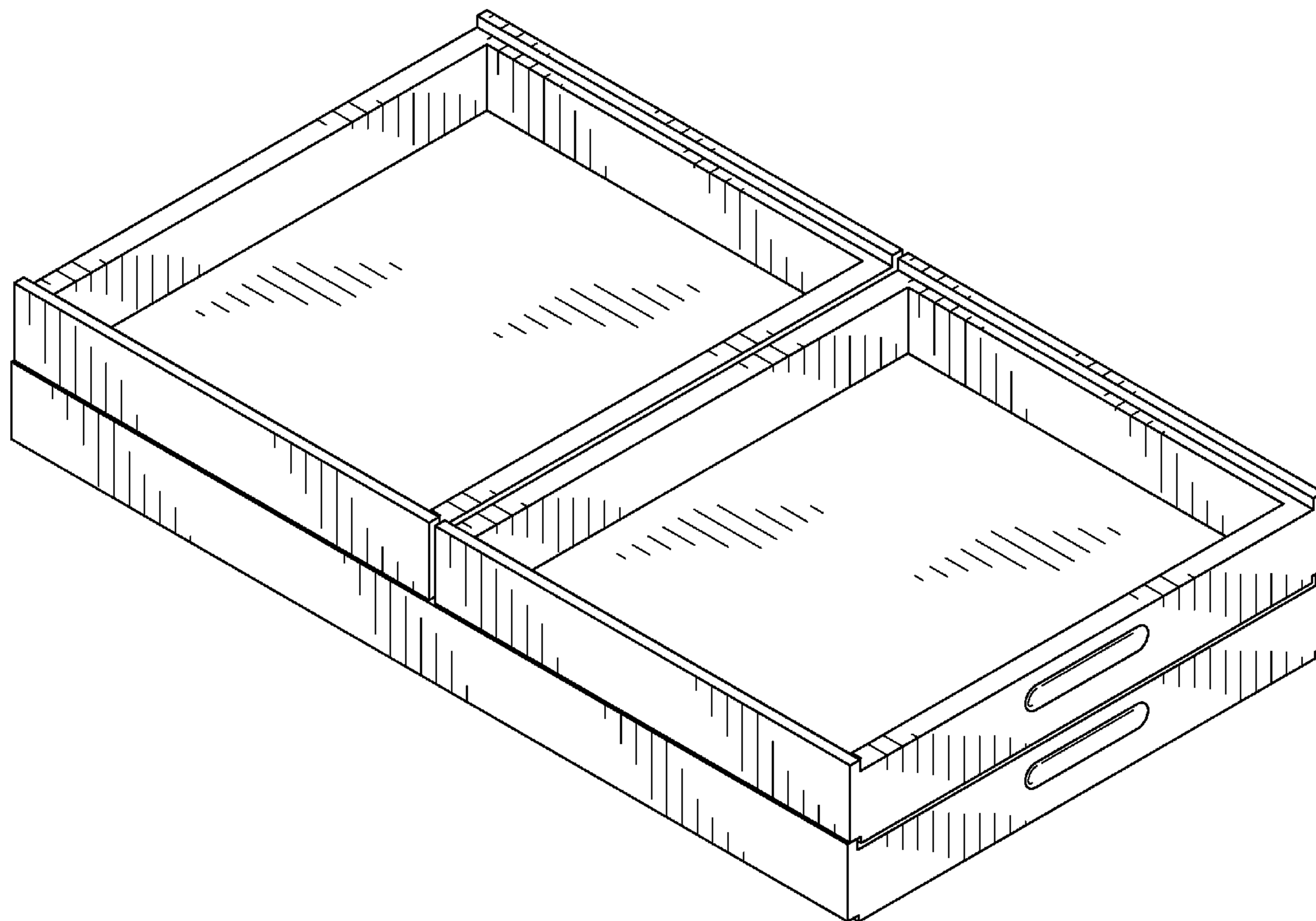
FIG. 1 is a left side view of a jewelry organizer showing the two bottom trays pulled out from the top tray, the right side view being identical hereto;

FIG. 2 is a front view thereof; and,

FIG. 3 is a perspective view thereof with the top two trays pushed together on top of the bottom tray.

Features shown in broken lines in the drawings are not part of the claim.

1 Claim, 3 Drawing Sheets



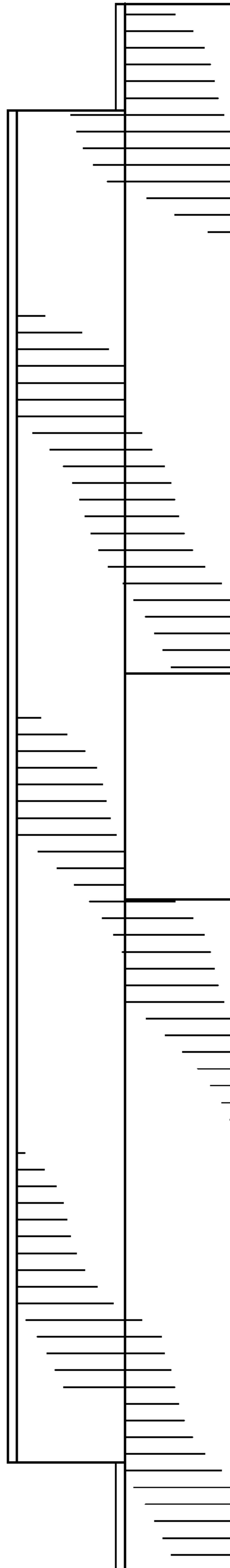


FIG. 1

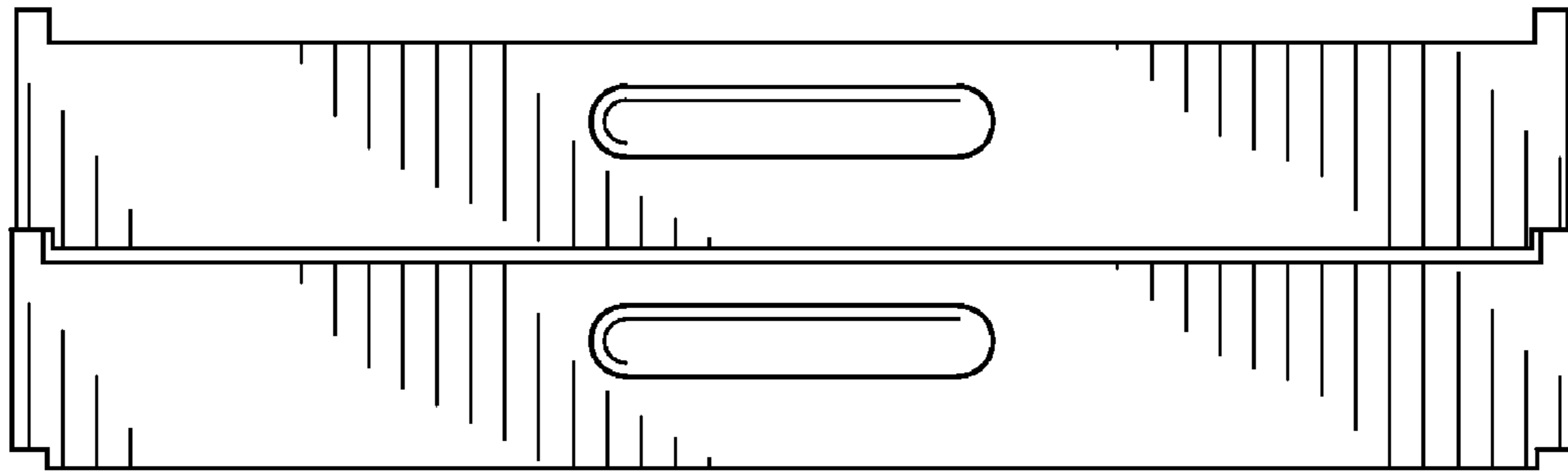


FIG. 2

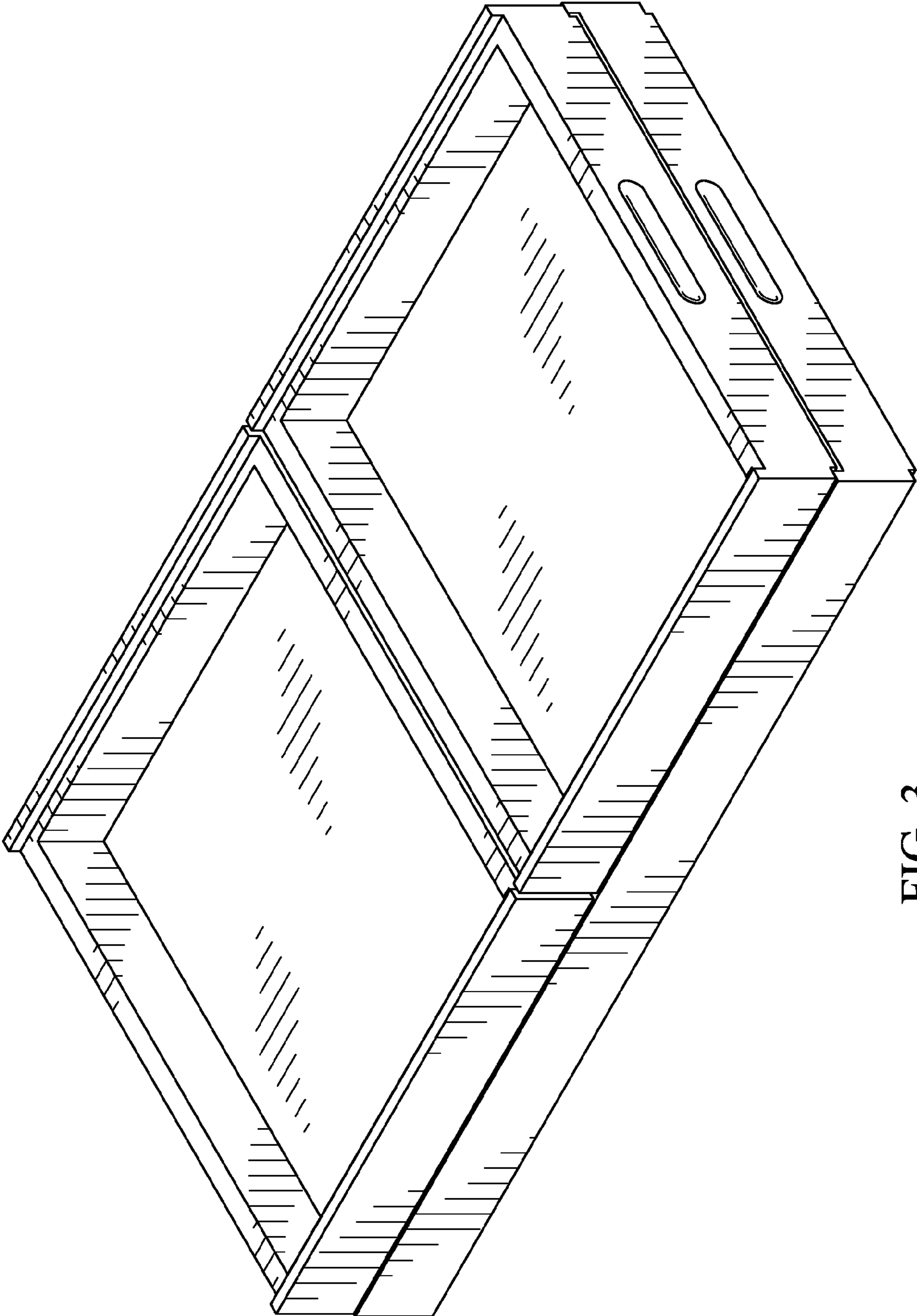


FIG. 3