



US00D568066S

(12) **United States Design Patent**
Cohen

(10) **Patent No.:** **US D568,066 S**

(45) **Date of Patent:** **** May 6, 2008**

(54) **COOLER STAND**

(76) Inventor: **Warren Cohen**, 10981 Decatur Rd.,
Philadelphia, PA (US) 19154

(**) Term: **14 Years**

(21) Appl. No.: **29/266,302**

(22) Filed: **Sep. 19, 2006**

(51) **LOC (8) Cl.** **06-04**

(52) **U.S. Cl.** **D6/475**

(58) **Field of Classification Search** D6/475,
D6/466, 449, 450, 476, 396, 462, 467; D19/75,
D19/86, 88-92; 211/49.1, 50; D9/432, 433;
248/174

See application file for complete search history.

(56) **References Cited**

U.S. PATENT DOCUMENTS

3,578,278	A *	5/1971	Pickering et al.	248/550
D248,707	S *	8/1978	Gitlitz	D3/266
D274,729	S *	7/1984	Hovey et al.	D14/451
D293,635	S *	1/1988	Goetz	D6/449
D302,922	S *	8/1989	Carlson	D7/605
D335,404	S *	5/1993	Fleury	D6/466
D380,112	S *	6/1997	Peters	D6/510
D448,625	S *	10/2001	Moffett et al.	D7/605

D479,062	S *	9/2003	Meyer	D6/475
6,814,333	B1 *	11/2004	Freiburger	248/150
D541,555	S *	5/2007	Falland	D6/462

OTHER PUBLICATIONS

<http://dogbytecomputer.com/product>, Dec. 7, 2007.*

* cited by examiner

Primary Examiner—Robert M. Spear

Assistant Examiner—Katrina A Kile

(74) *Attorney, Agent, or Firm*—LaMorte & Associates

(57) **CLAIM**

The ornamental design for a cooler stand, as shown and described.

DESCRIPTION

FIG. 1 is a perspective view of a cooler stand;

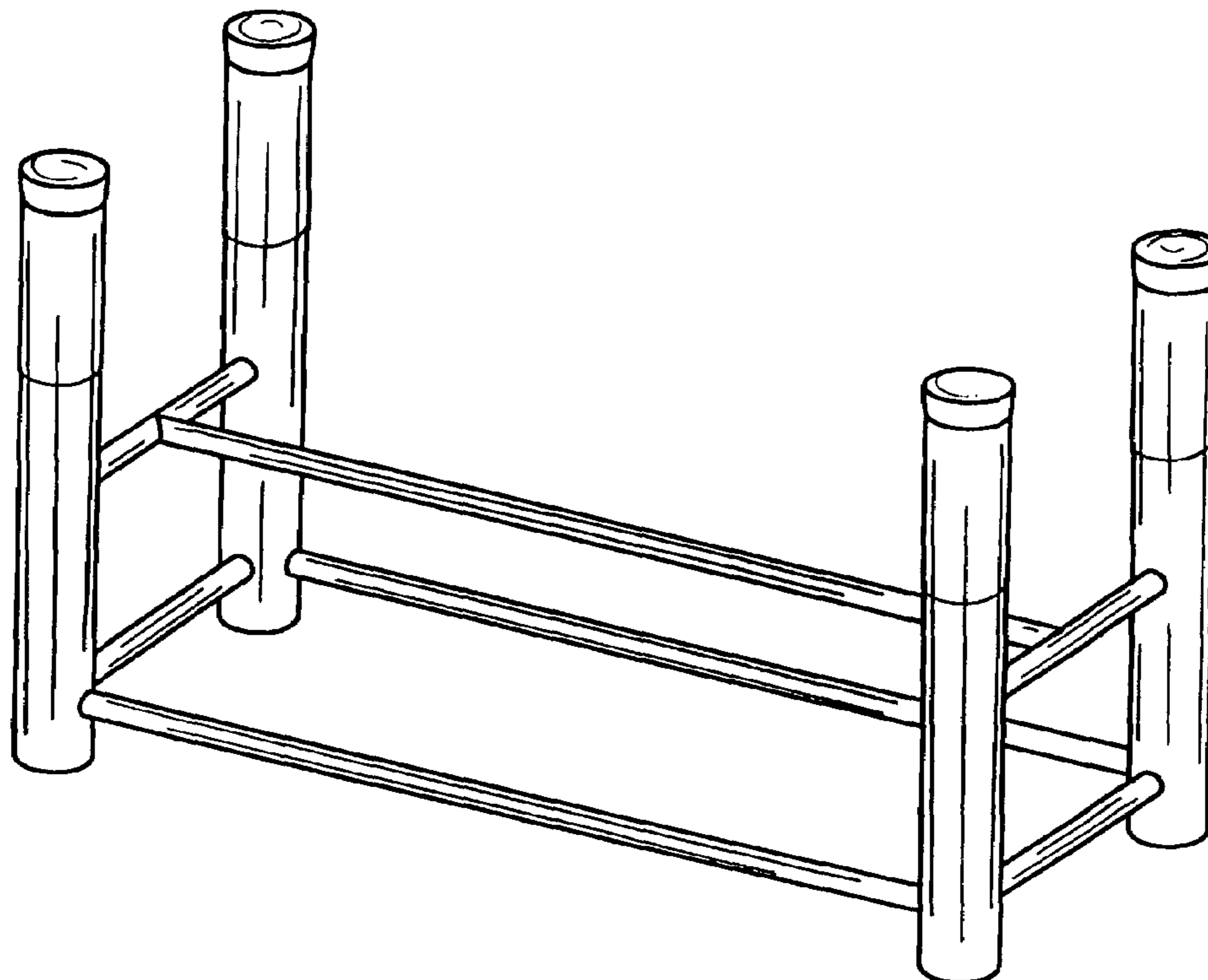
FIG. 2 is a top view thereof;

FIG. 3 is a bottom view thereof;

FIG. 4 is a front view thereof, the rear view being the same; and,

FIG. 5 is a right side view thereof; the left said view being the same.

1 Claim, 5 Drawing Sheets



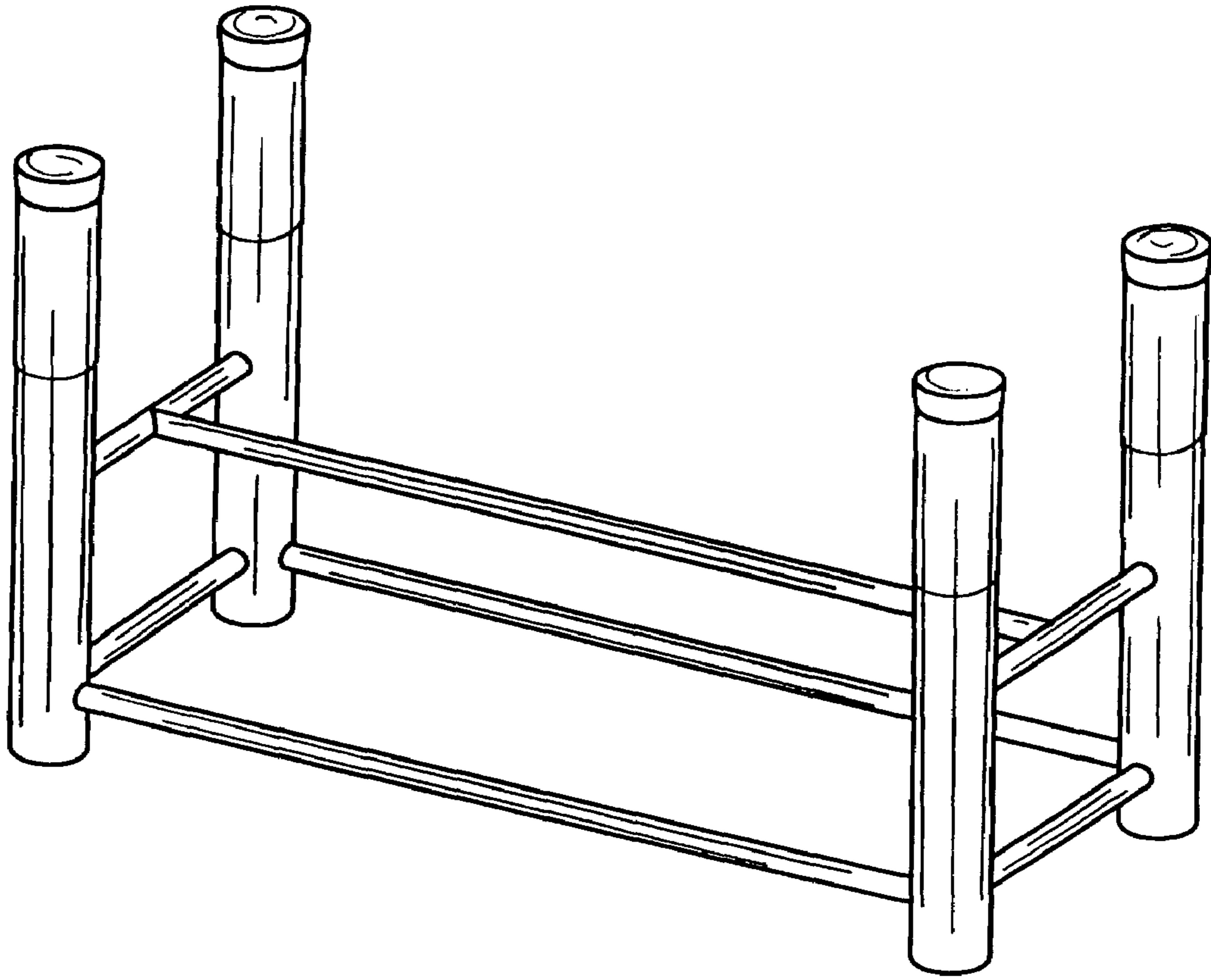


FIG. 1

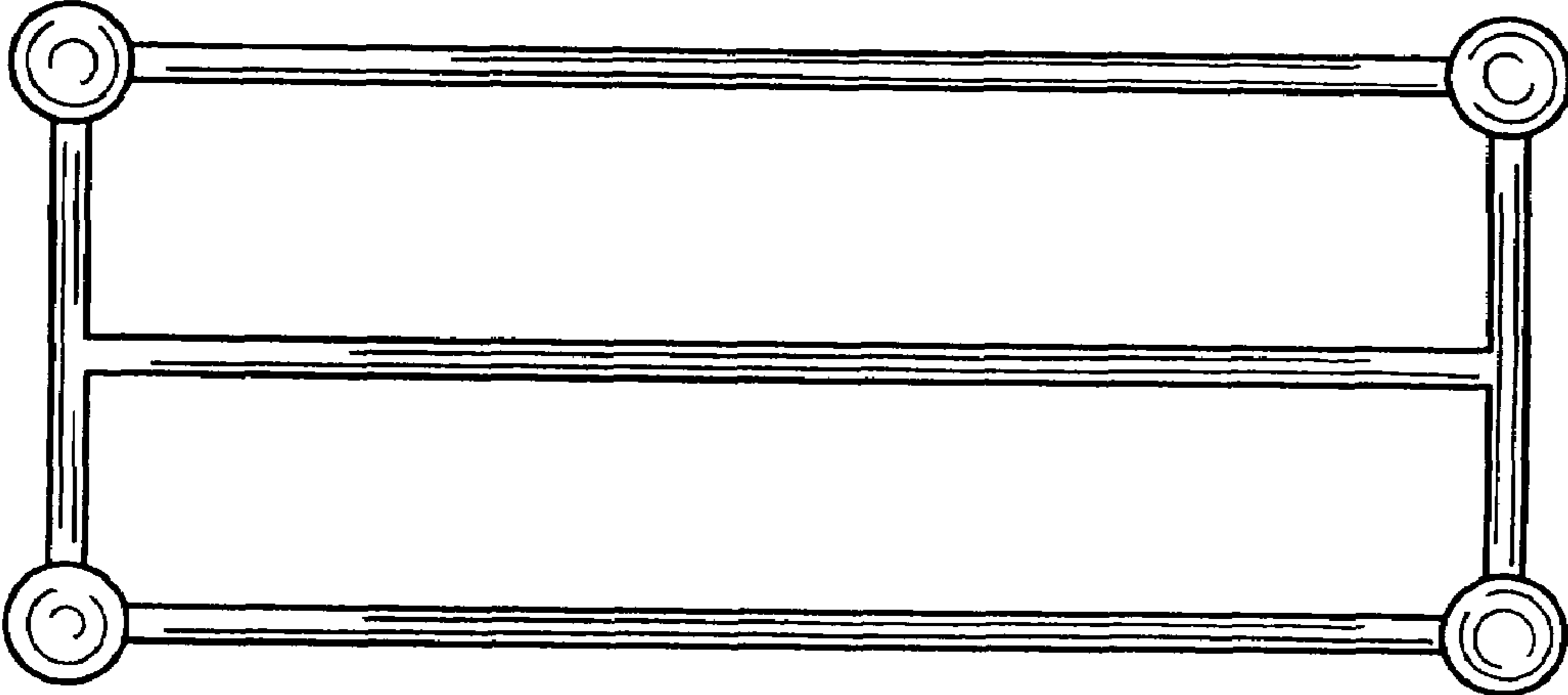


FIG. 2

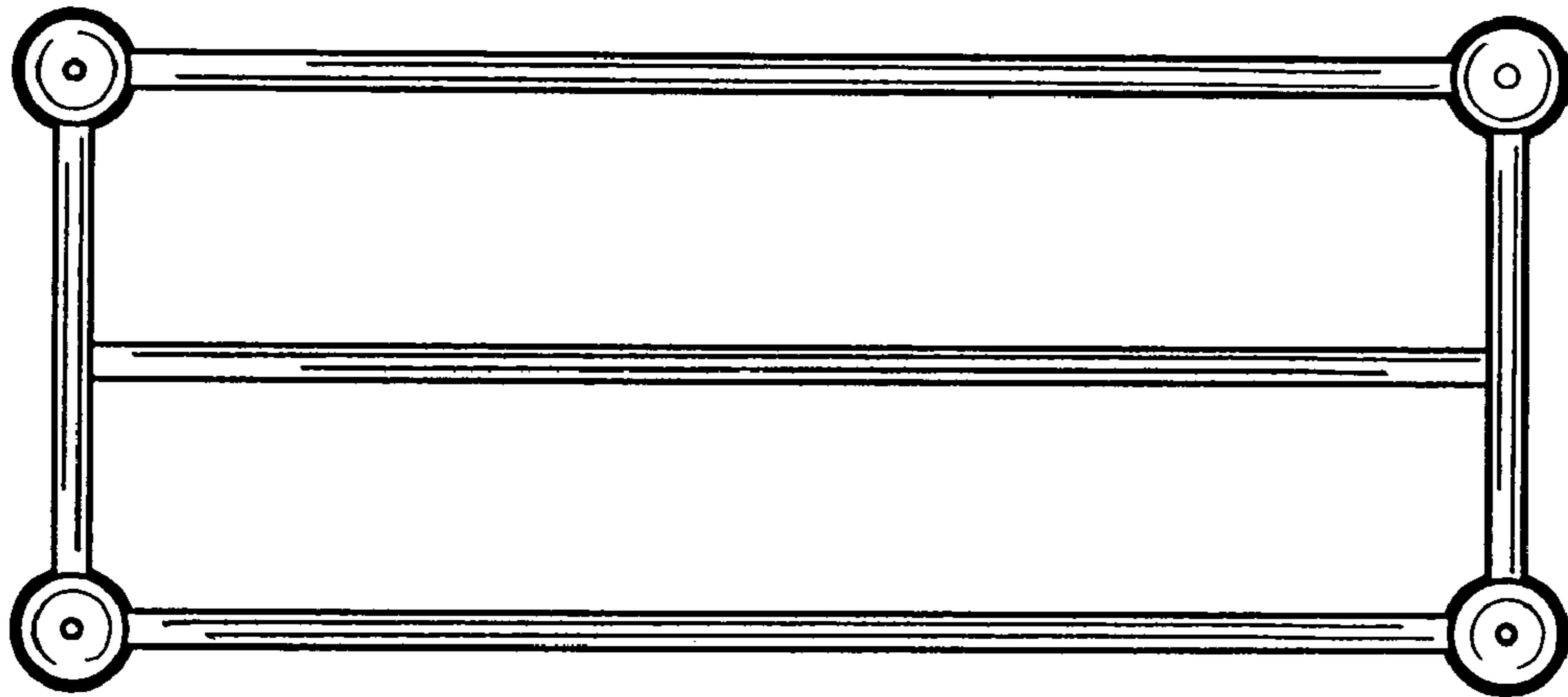


FIG. 3

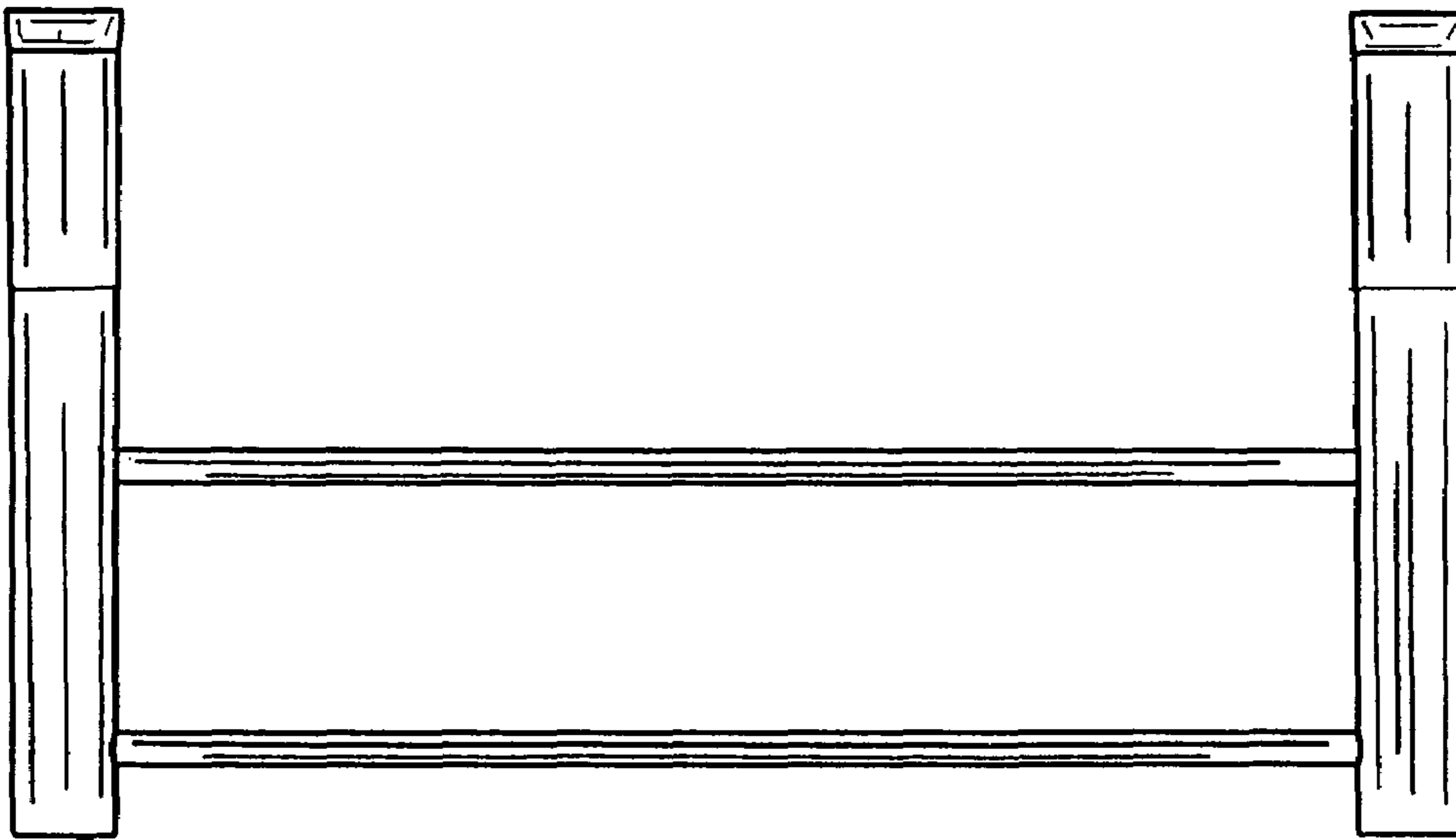


FIG. 4

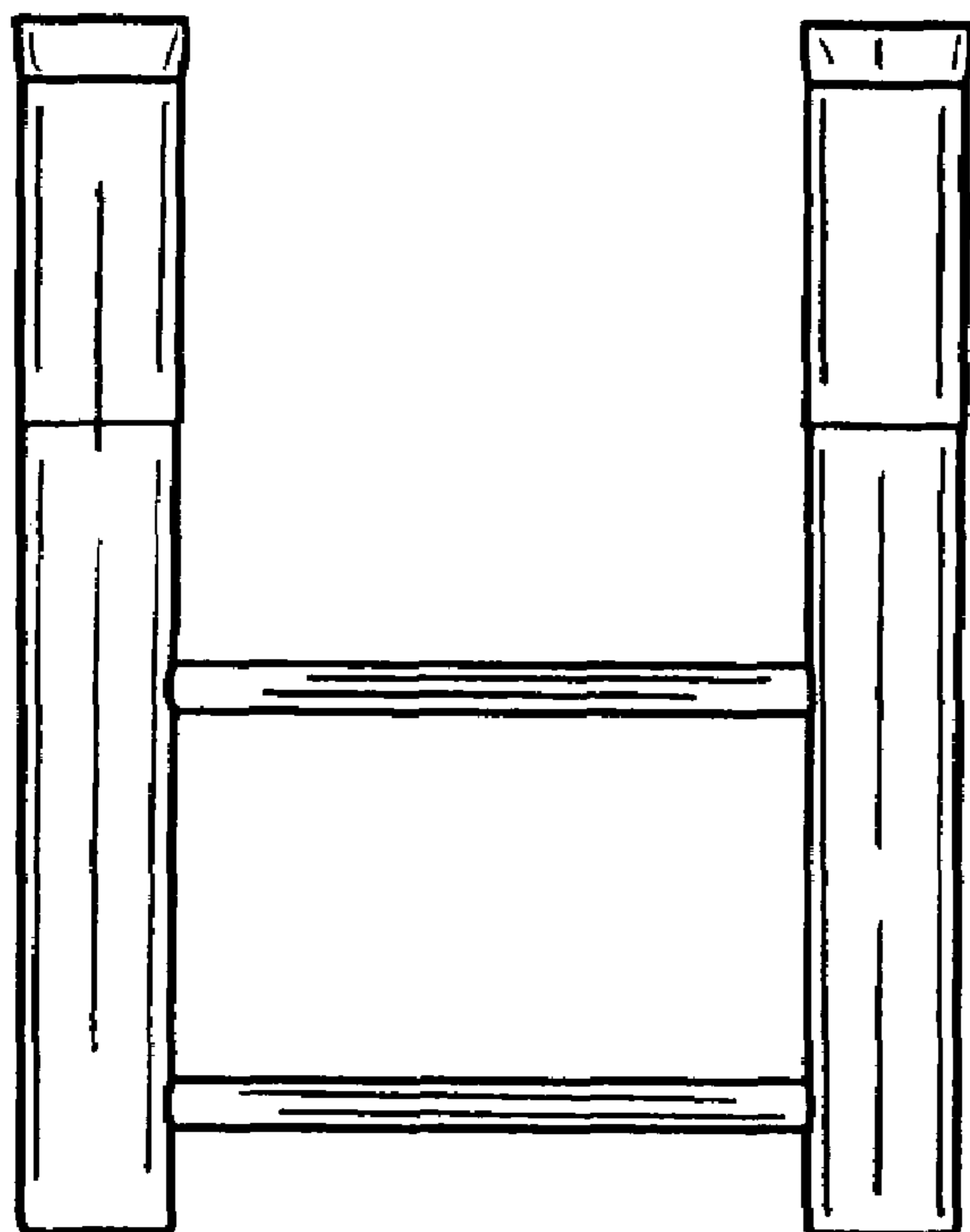


FIG. 5