



US00D568065S

(12) **United States Design Patent**  
**McCabe**

(10) **Patent No.:** **US D568,065 S**

(45) **Date of Patent:** **\*\* May 6, 2008**

(54) **DISPLAY CASE**

(75) Inventor: **Michael McCabe**, Stuart, FL (US)

(73) Assignee: **NSR Displays, Inc.**, Stuart, FL (US)

(\*\*) Term: **14 Years**

(21) Appl. No.: **29/284,937**

(22) Filed: **Sep. 18, 2007**

**Related U.S. Application Data**

(63) Continuation of application No. 29/245,400, filed on Dec. 22, 2005, now Pat. No. Des. 554,904.

(51) **LOC (8) Cl.** ..... **06-04**

(52) **U.S. Cl.** ..... **D6/470**

(58) **Field of Classification Search** ..... D6/483,  
D6/470-472, 479; 312/114, 118; 428/14,  
428/34.6, 542.4; 156/109; 206/216; 211/103;  
D15/79

See application file for complete search history.

(56) **References Cited**

**U.S. PATENT DOCUMENTS**

2,084,006	A	*	6/1937	Sawin	.....	34/88
2,490,356	A	*	12/1949	Hummel	.....	248/463
D247,079	S	*	1/1978	Otema	.....	D6/436
D250,236	S	*	11/1978	Lambert	.....	D6/471
D351,518	S	*	10/1994	Burgess	.....	D6/470
D362,924	S	*	10/1995	Mers	.....	D28/61
D522,273	S	*	6/2006	Benson	.....	D6/470

**OTHER PUBLICATIONS**

NSR Displays Inc. "Straightway Display" Dec. 14, 2007.\*

\* cited by examiner

*Primary Examiner*—Elizabeth A. Albert

*Assistant Examiner*—Kelley A Donnelly

(74) *Attorney, Agent, or Firm*—Darby & Darby; Robert J. Sacco

(57) **CLAIM**

The ornamental design for a display case, as shown and described.

**DESCRIPTION**

FIG. 1 is a first perspective view of the display case.

FIG. 2 is a second perspective view of the display case.

FIG. 3 is a top view of the display case.

FIG. 4 is a bottom view of the display case.

FIG. 5 is a front view of the display case.

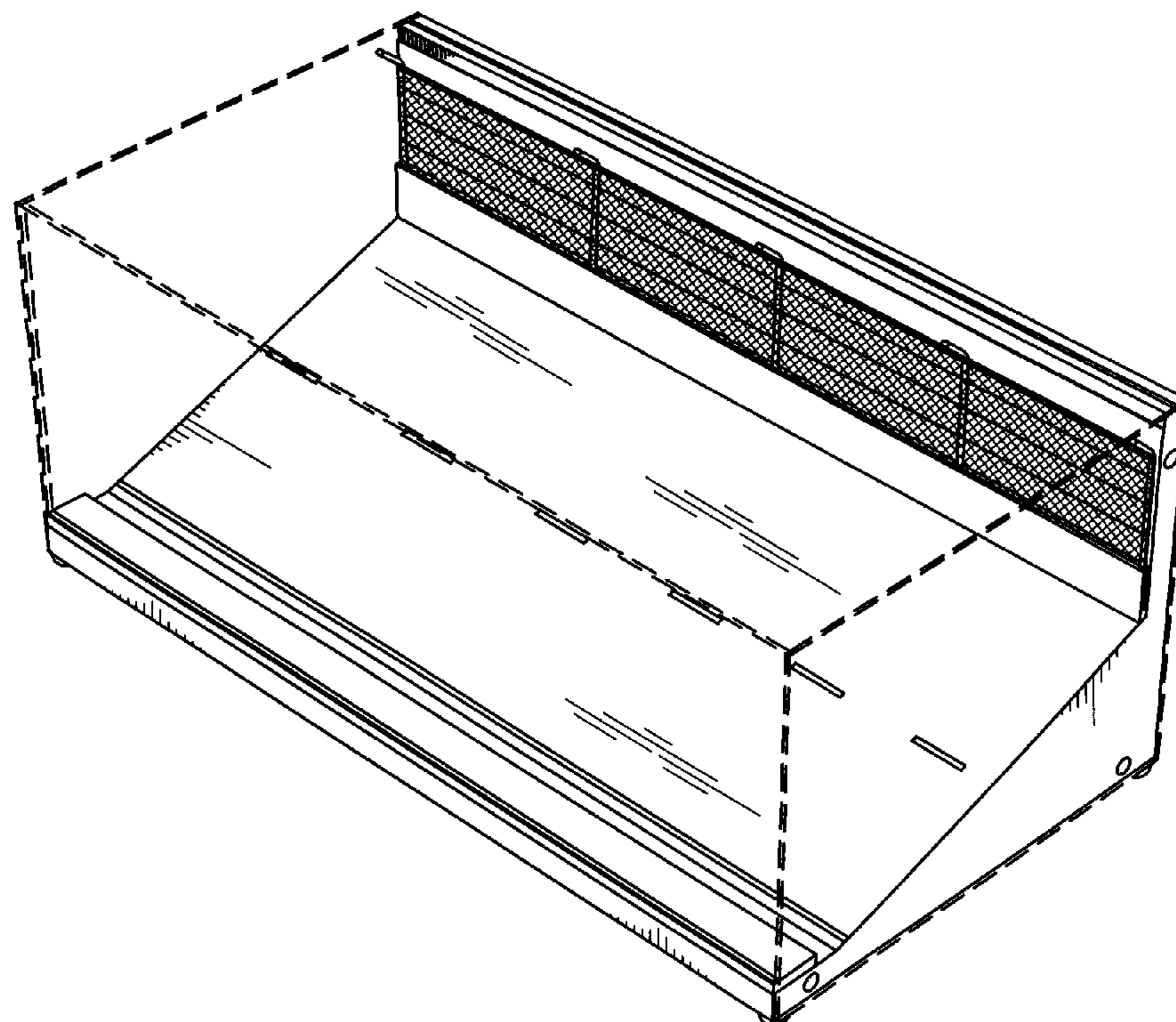
FIG. 6 is a rear view of the display case.

FIG. 7 is a right side view of the display case; and,

FIG. 8 is a left side view of the display case.

The broken lines showing of a transparent top panel, a transparent left side panel and a transparent right side panel as well as features on the bottom and rear are included for the purpose of illustrating environment and form no part of the claimed design.

**1 Claim, 5 Drawing Sheets**



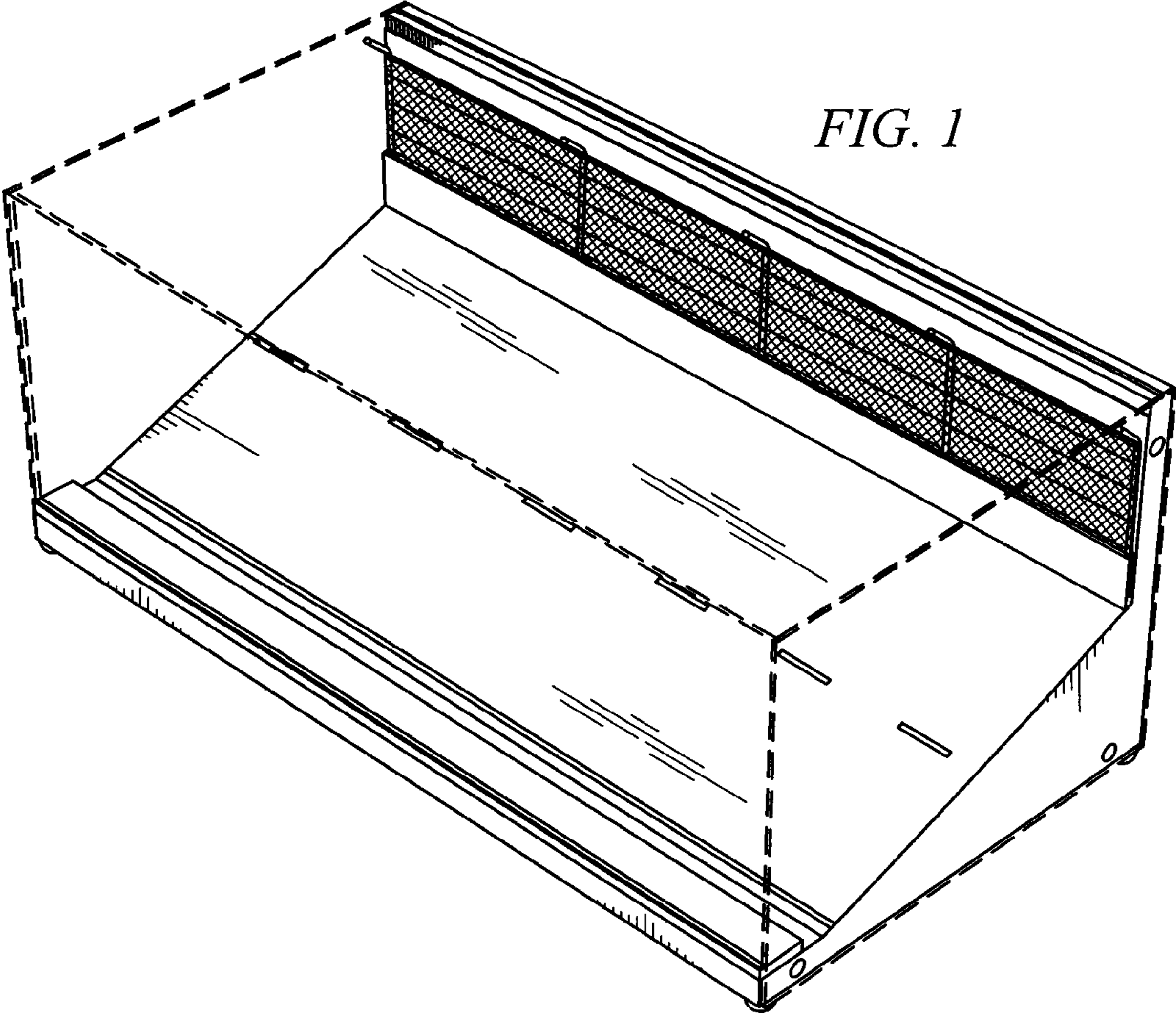


FIG. 1

FIG. 2

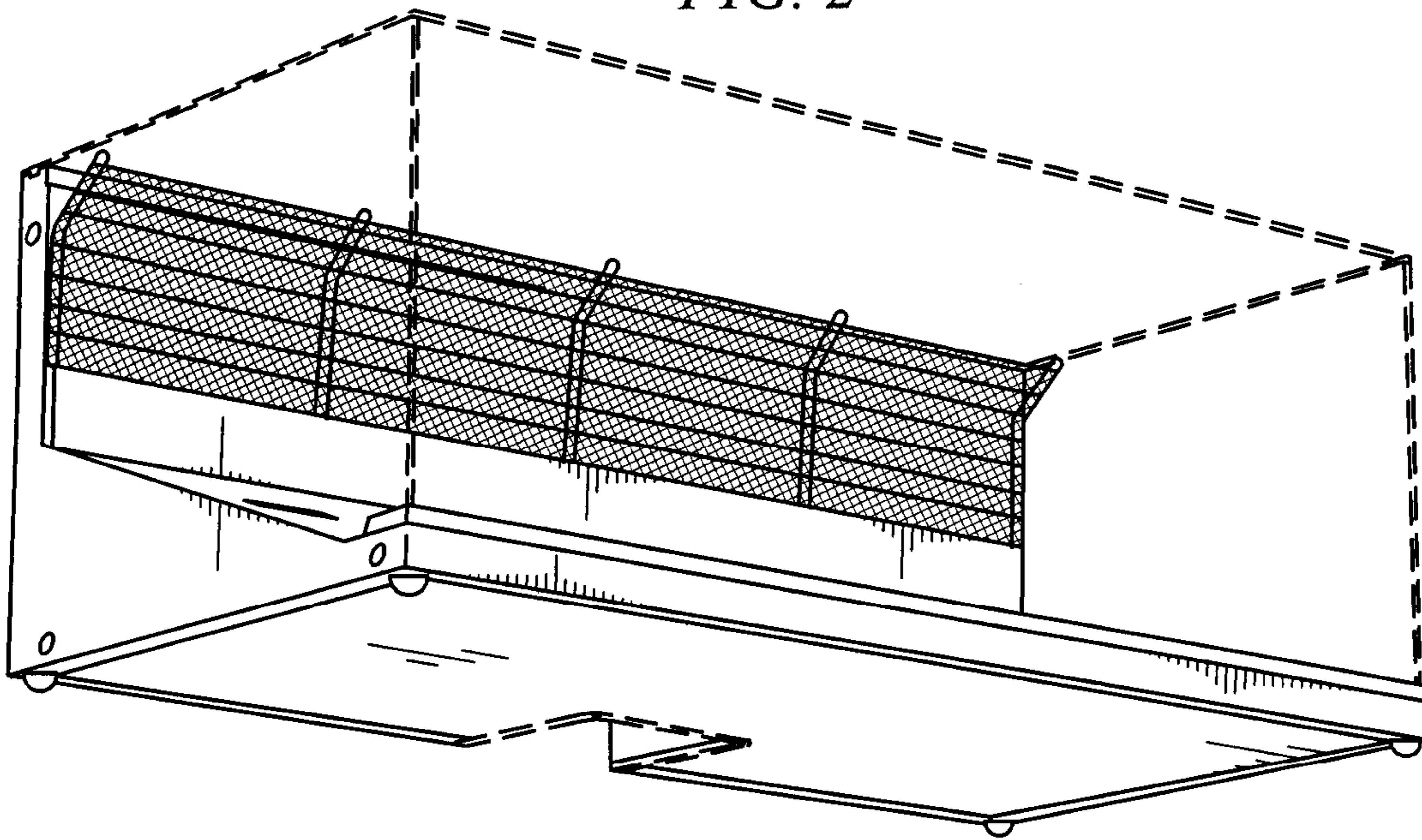


FIG. 3

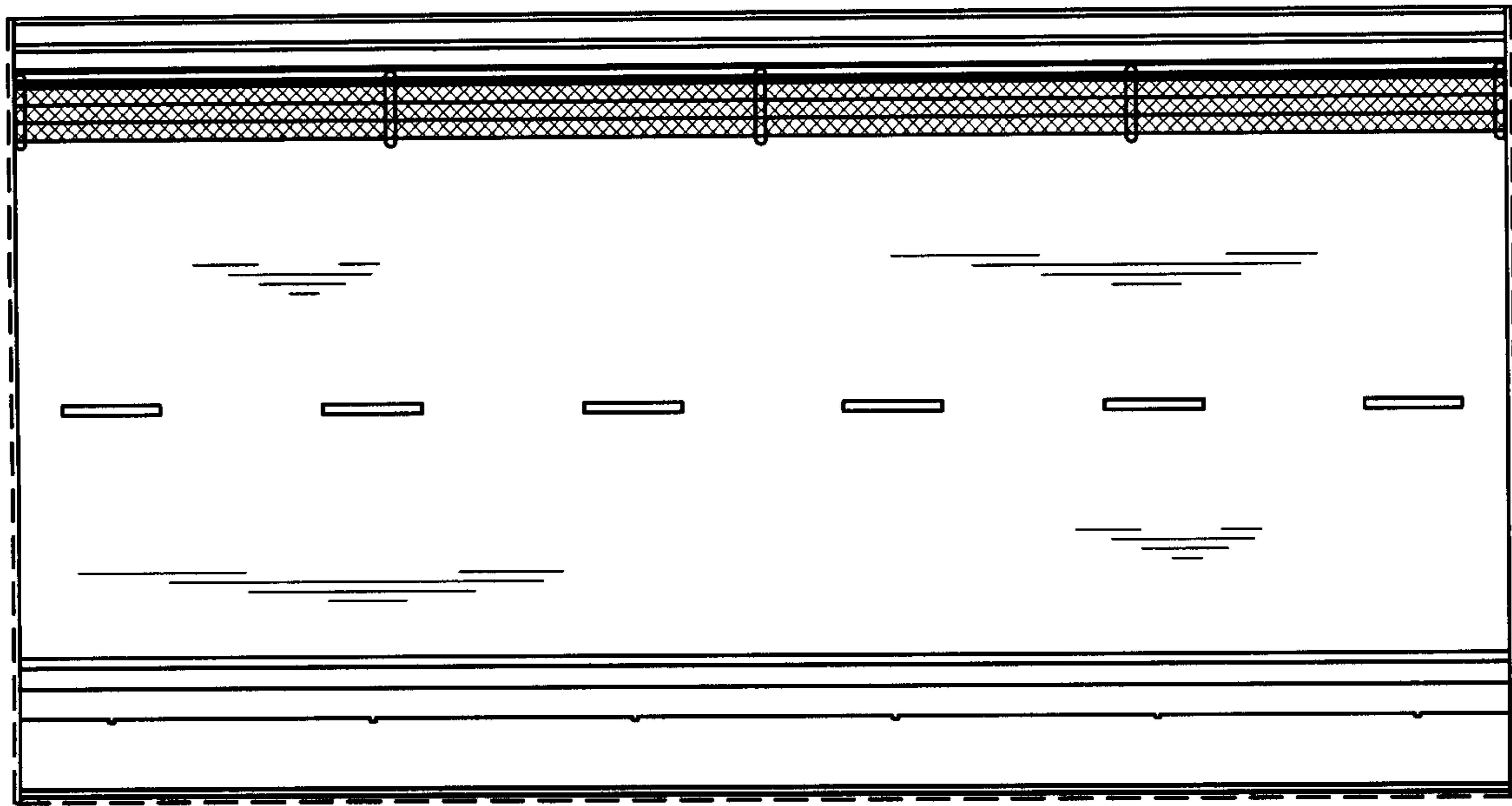


FIG. 4

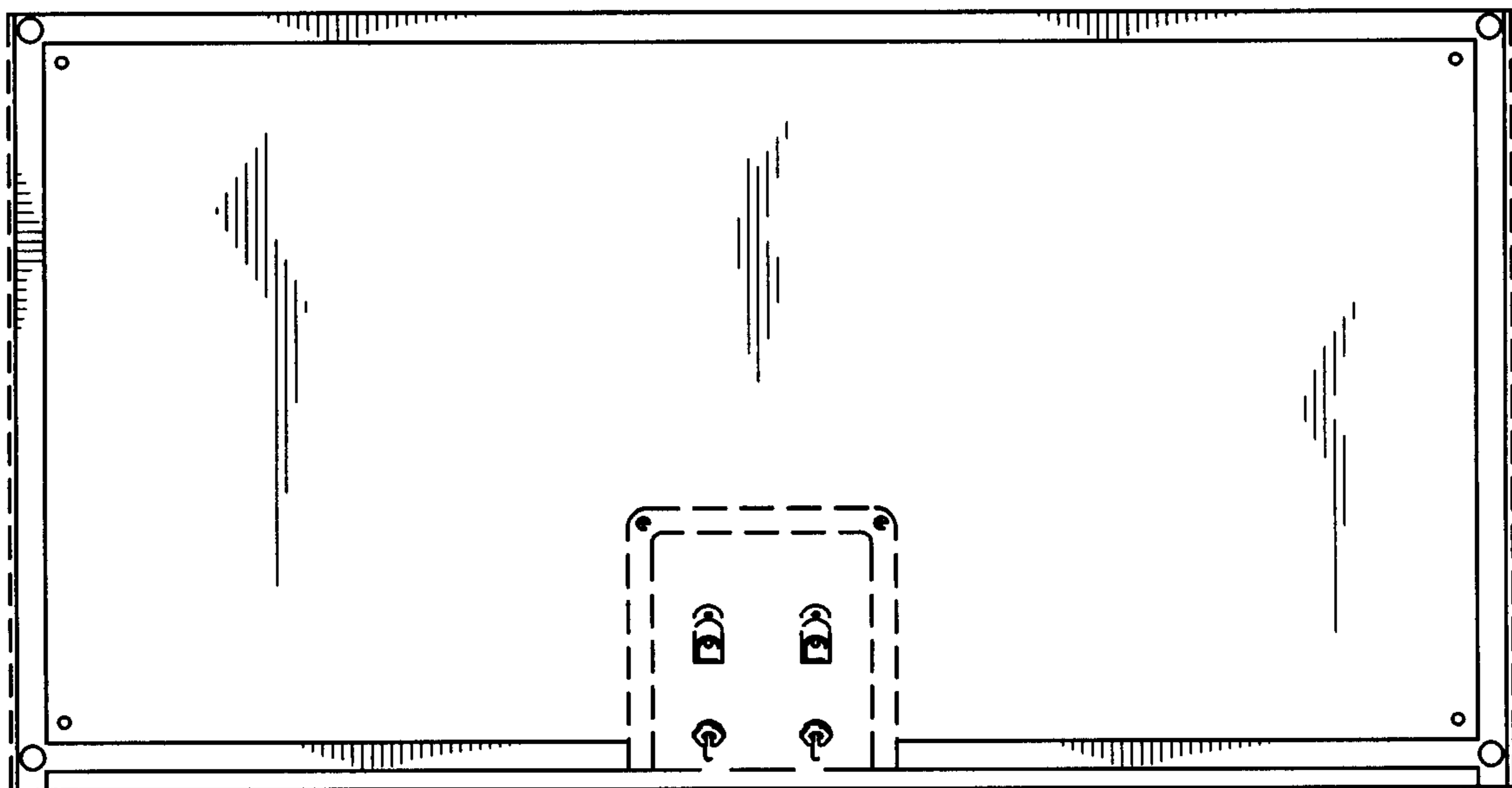


FIG. 5

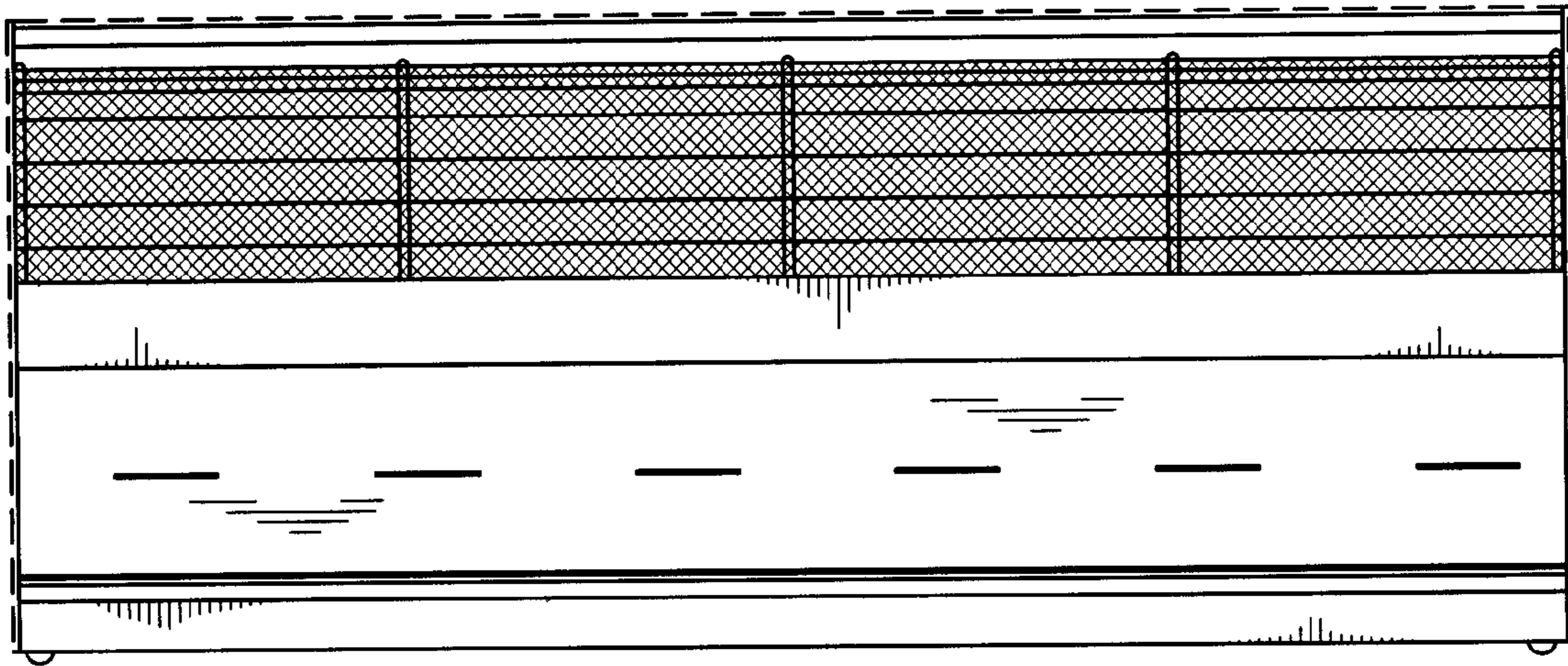
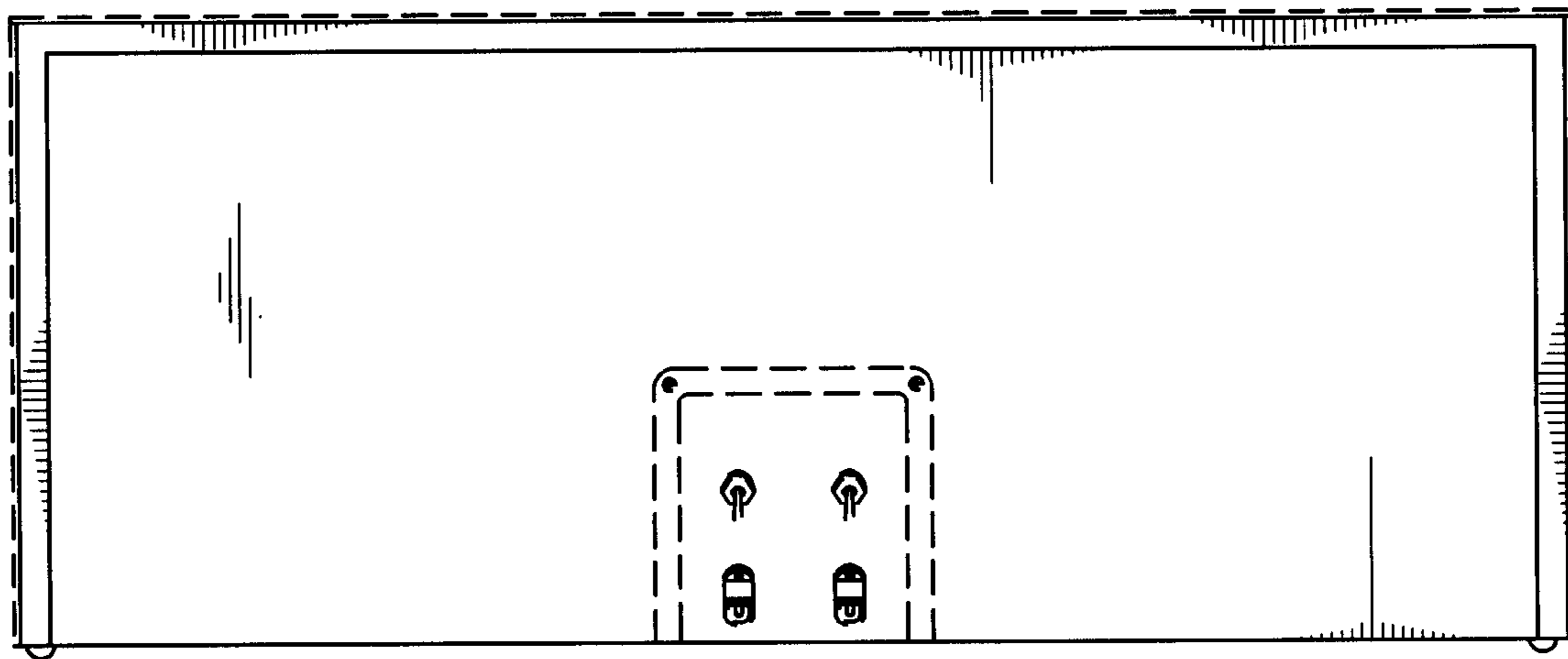
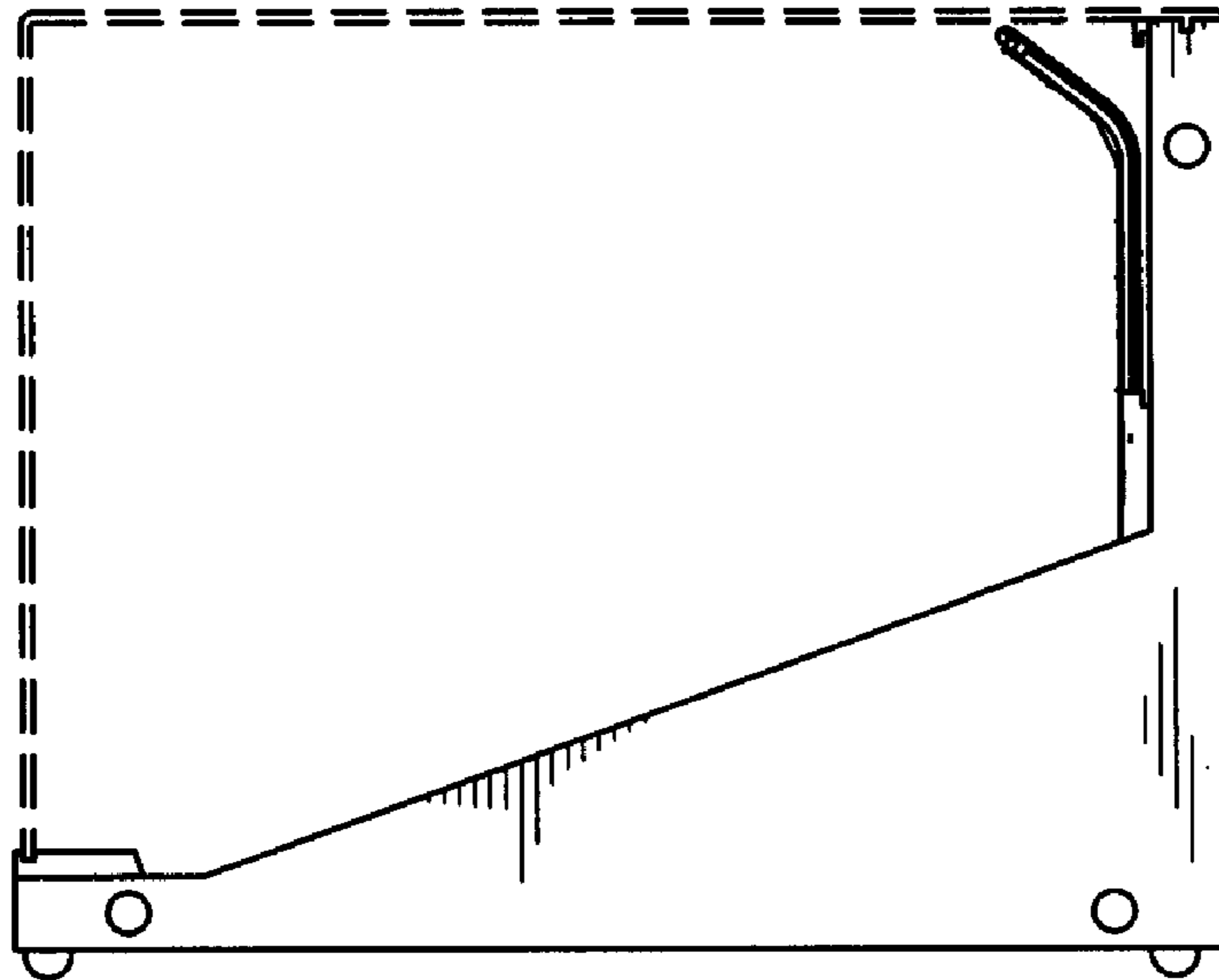


FIG. 6



*FIG. 7*



*FIG. 8*

