



US00D568062S

(12) **United States Design Patent**
Newhouse

(10) **Patent No.:** **US D568,062 S**

(45) **Date of Patent:** **** May 6, 2008**

(54) **MODULAR STUDY FURNITURE**

(75) Inventor: **Thomas J. Newhouse**, Grand Rapids,
MI (US)

(73) Assignee: **The Worden Company**, Holland, MI
(US)

(**) Term: **14 Years**

(21) Appl. No.: **29/247,517**

(22) Filed: **Jun. 23, 2006**

(51) **LOC (8) Cl.** **06-03**

(52) **U.S. Cl.** **D6/423**

(58) **Field of Classification Search** D6/422-428,
D6/480, 484, 485, 487, 421, 332, 396, 397;
312/194-196, 223.1, 223.2; 160/135, 351;
52/36.1, 239

See application file for complete search history.

(56) **References Cited**

U.S. PATENT DOCUMENTS

- 1,452,343 A * 4/1923 Jones 297/161
- D161,772 S * 1/1951 Macdonald D6/421
- 2,947,348 A 8/1960 Peckham
- D197,652 S * 3/1964 Courtwright D6/421
- 3,353,866 A * 11/1967 Chapman et al. 297/162
- D219,519 S * 12/1970 Gianfagna D6/421
- 3,632,161 A 1/1972 Arfaras et al.
- 3,931,771 A * 1/1976 Kramer 108/77
- 4,428,616 A 1/1984 Hamilton
- 4,944,552 A 7/1990 Harris
- 5,026,114 A 6/1991 Miller
- D331,672 S * 12/1992 Brodbeck D6/421
- D332,189 S * 1/1993 Brodbeck D6/421

- D334,490 S * 4/1993 Johnson D6/430
- 5,293,825 A 3/1994 Cauffiel
- 5,372,403 A 12/1994 Puerto
- 5,547,247 A 8/1996 Dixon
- 5,630,642 A 5/1997 Grimmett et al.
- 5,799,964 A 9/1998 Chao
- D402,476 S * 12/1998 Thorp et al. D6/332
- D421,533 S * 3/2000 Lininger et al. D6/423
- 6,032,587 A 3/2000 Salenbauch et al.
- 6,142,559 A * 11/2000 Sorel et al. 297/135
- 6,237,994 B1 5/2001 Bentley et al.
- 7,017,988 B2 3/2006 Tornero et al.

FOREIGN PATENT DOCUMENTS

EP 1 172 252 A1 1/2002

* cited by examiner

Primary Examiner—Janice E. Seeger

Assistant Examiner—Zenia I. Bennett

(74) *Attorney, Agent, or Firm*—McGarry Bair PC

(57) **CLAIM**

The ornamental design for a modular study furniture, as shown and described.

DESCRIPTION

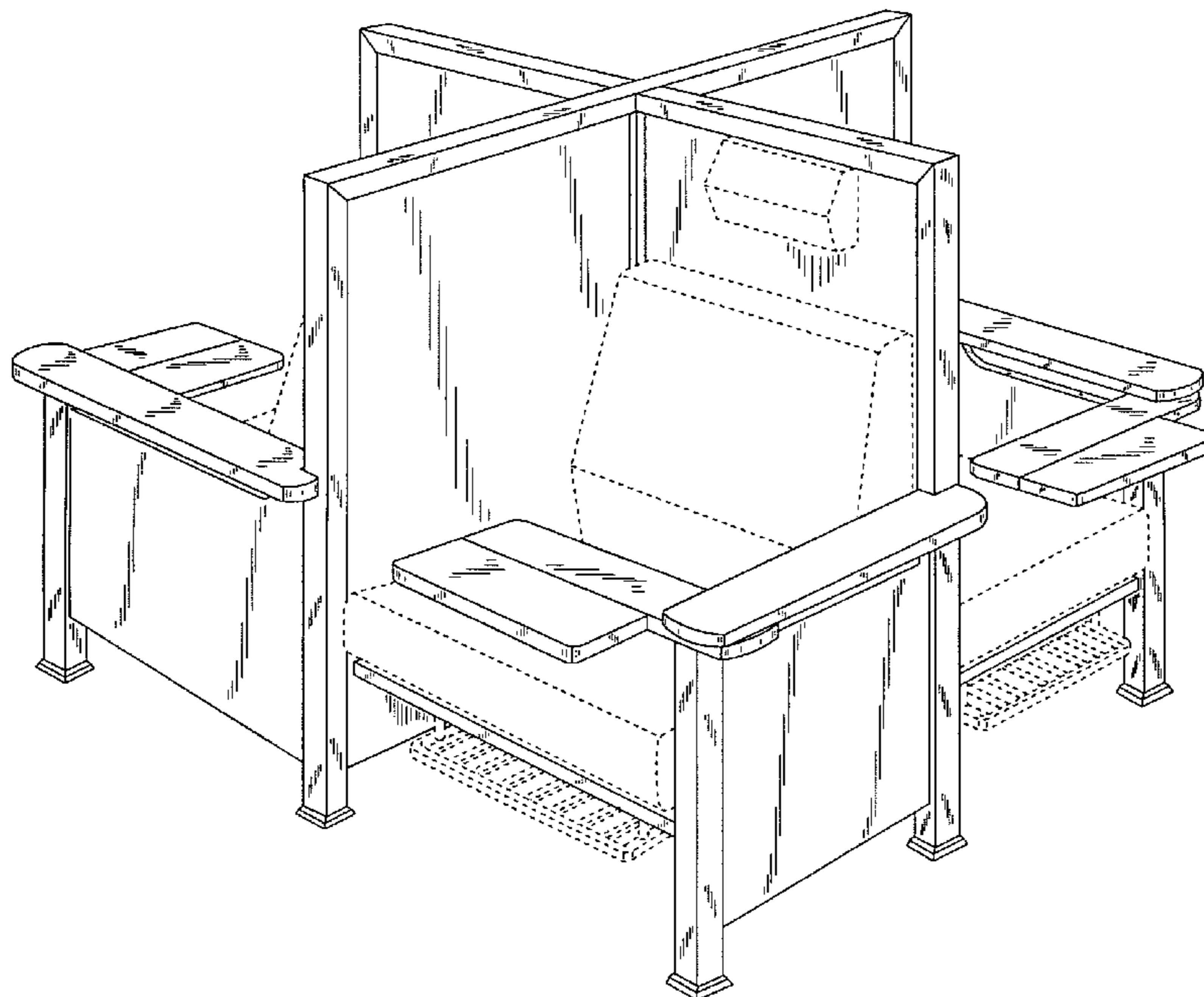
FIG. 1 is a perspective view of an embodiment of the ornamental modular study furniture according to the invention;

FIG. 2 is a front view thereof; and,

FIG. 3 is a top view thereof.

The broken lines in the drawing are for illustrative purposes only and form no part of the claimed design.

1 Claim, 3 Drawing Sheets



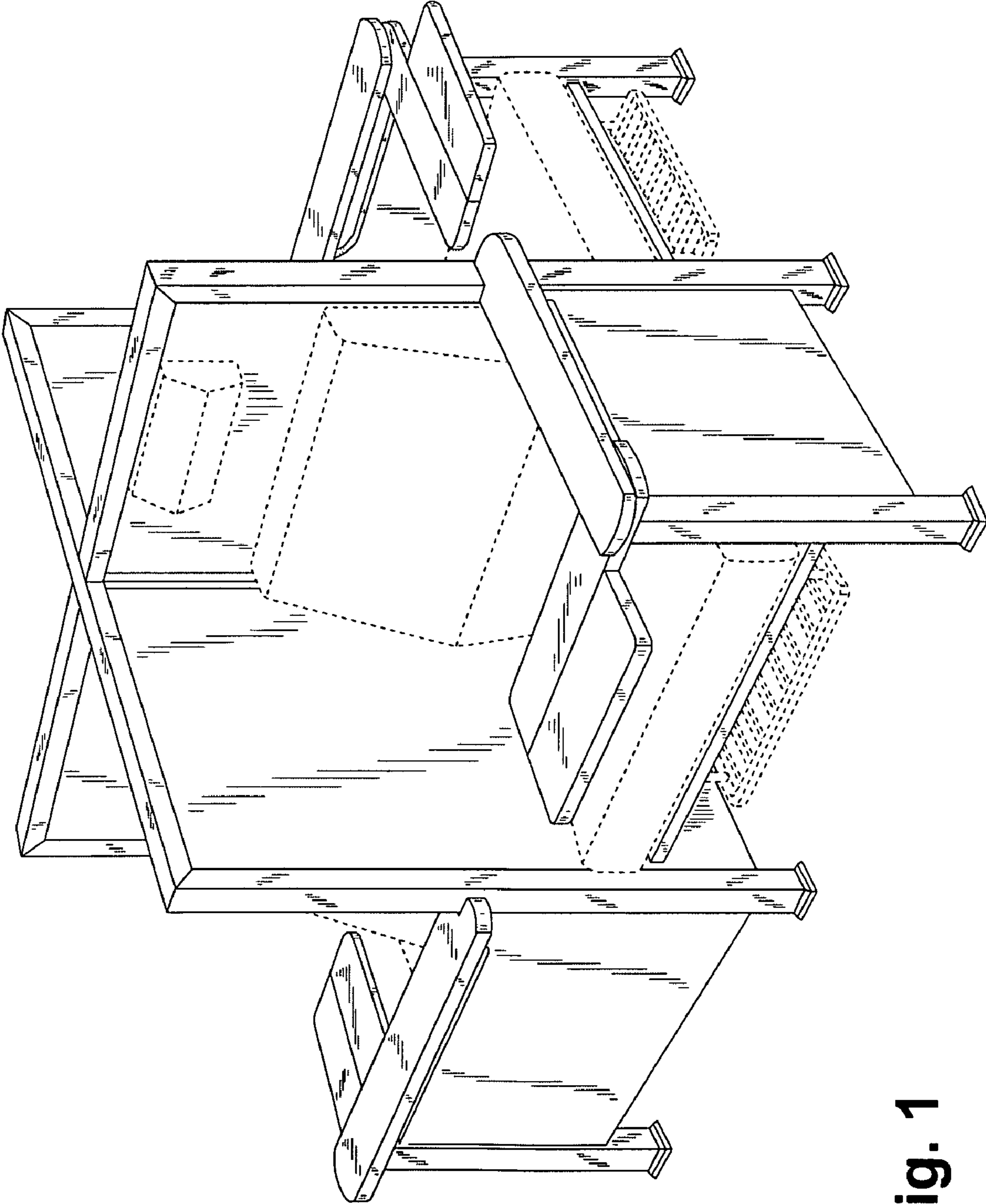


Fig. 1

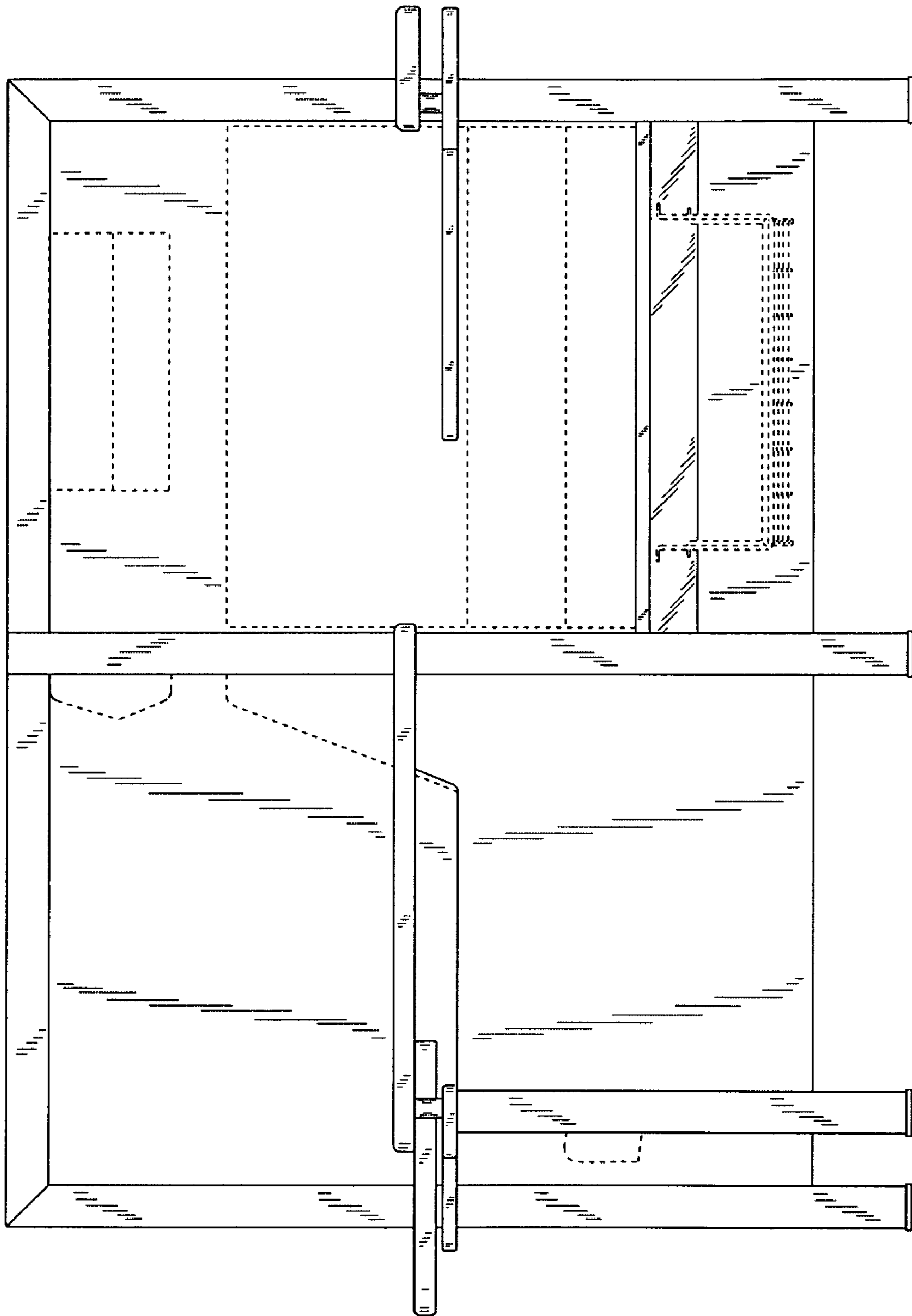


Fig. 2

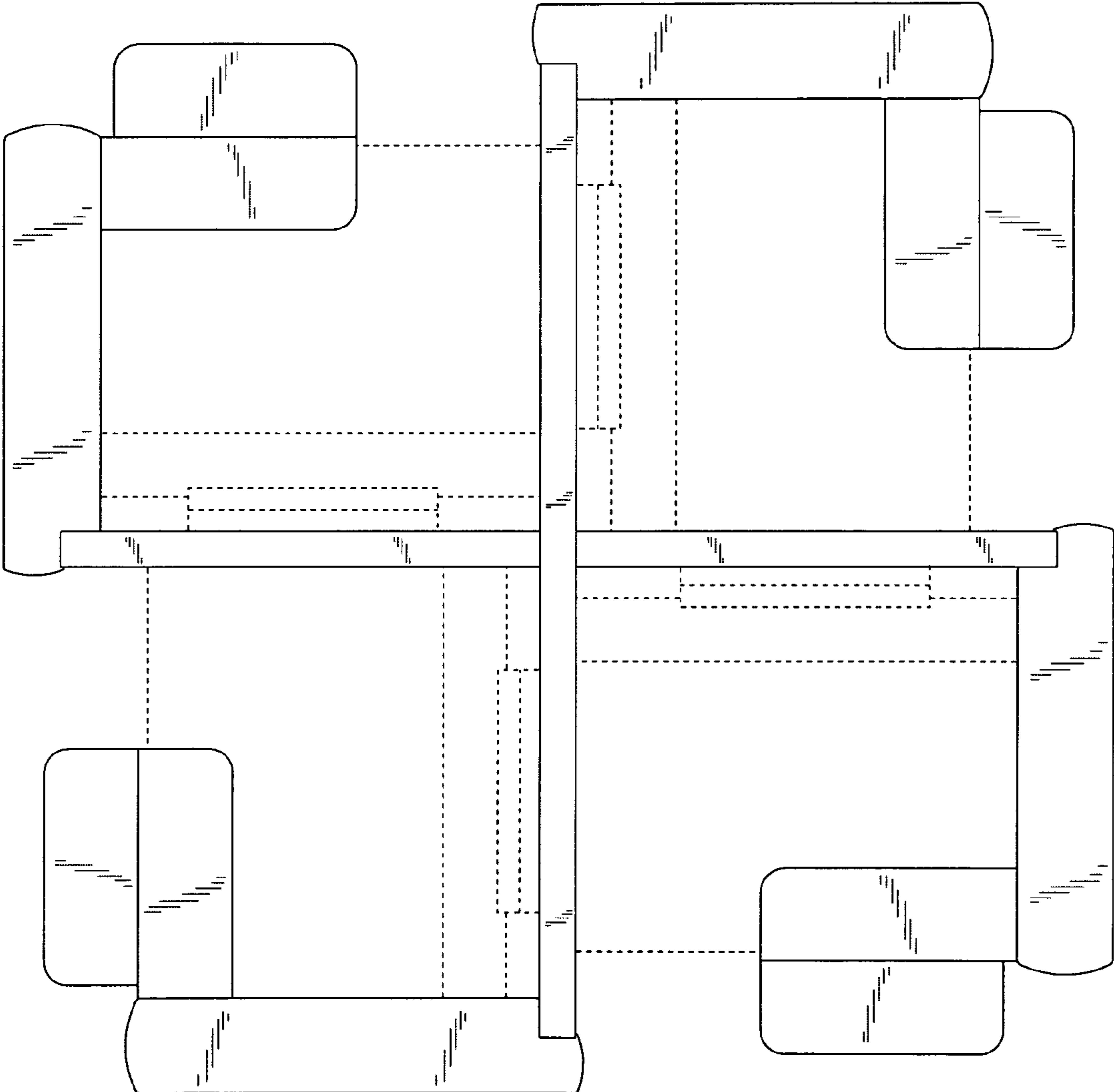


Fig. 3