



US00D568060S

(12) **United States Design Patent**
Munson

(10) **Patent No.:** **US D568,060 S**

(45) **Date of Patent:** **** May 6, 2008**

(54) **SLOTWALL BOARD SYSTEM**

(75) **Inventor:** **Cameron L. Munson**, Orange, CA
(US)

(73) **Assignee:** **Paramount Extrusions Co.**,
Paramount, CA (US)

(**) **Term:** **14 Years**

(21) **Appl. No.:** **29/267,249**

(22) **Filed:** **Oct. 10, 2006**

(51) **LOC (8) Cl.** **06-04**

(52) **U.S. Cl.** **D6/396**

(58) **Field of Classification Search** D6/396,
D6/465, 449, 499, 397, 468, 474, 574, 476-479,
D6/436-439, 553, 567, 492; 52/36.1, 36.4,
52/36.5, 483.1; 211/42, 43, 49.1, 85.26,
211/134, 133.2, 87.01, 13.1, 71.01, 88.01,
211/90.01, 94.01; 248/235, 309.1; 108/91-93,
108/147.11; D25/119-125

See application file for complete search history.

(56) **References Cited**

U.S. PATENT DOCUMENTS

- 4,036,369 A * 7/1977 Eisenberg 211/88.02
- 4,509,648 A 4/1985 Govang et al.
- 4,591,058 A 5/1986 Amstutz et al.
- 4,825,601 A * 5/1989 Halverson 52/36.4
- D322,531 S * 12/1991 Hobson D6/574

- 5,228,579 A 7/1993 Kaufman
- 5,921,044 A * 7/1999 Holztrager 52/483.1
- D436,782 S * 1/2001 Rapp D6/574
- 7,228,977 B2 * 6/2007 Perkins et al. 211/94.01

OTHER PUBLICATIONS

Paramount Extrusions Co., "Slotwall Inserts"; 2 pgs.

* cited by examiner

Primary Examiner—Caron D. Veynar

Assistant Examiner—Abraham Bahta

(74) *Attorney, Agent, or Firm*—Stetina Brunda Garred & Brucker

(57) **CLAIM**

The ornamental design for a slotwall board system, as shown and described.

DESCRIPTION

FIG. 1 is a front perspective view of the slotwall board system of the present invention showing my new design;

FIG. 2 is an end view thereof with the phantom lines depicting solely environmental structure and forming no part of the claimed design;

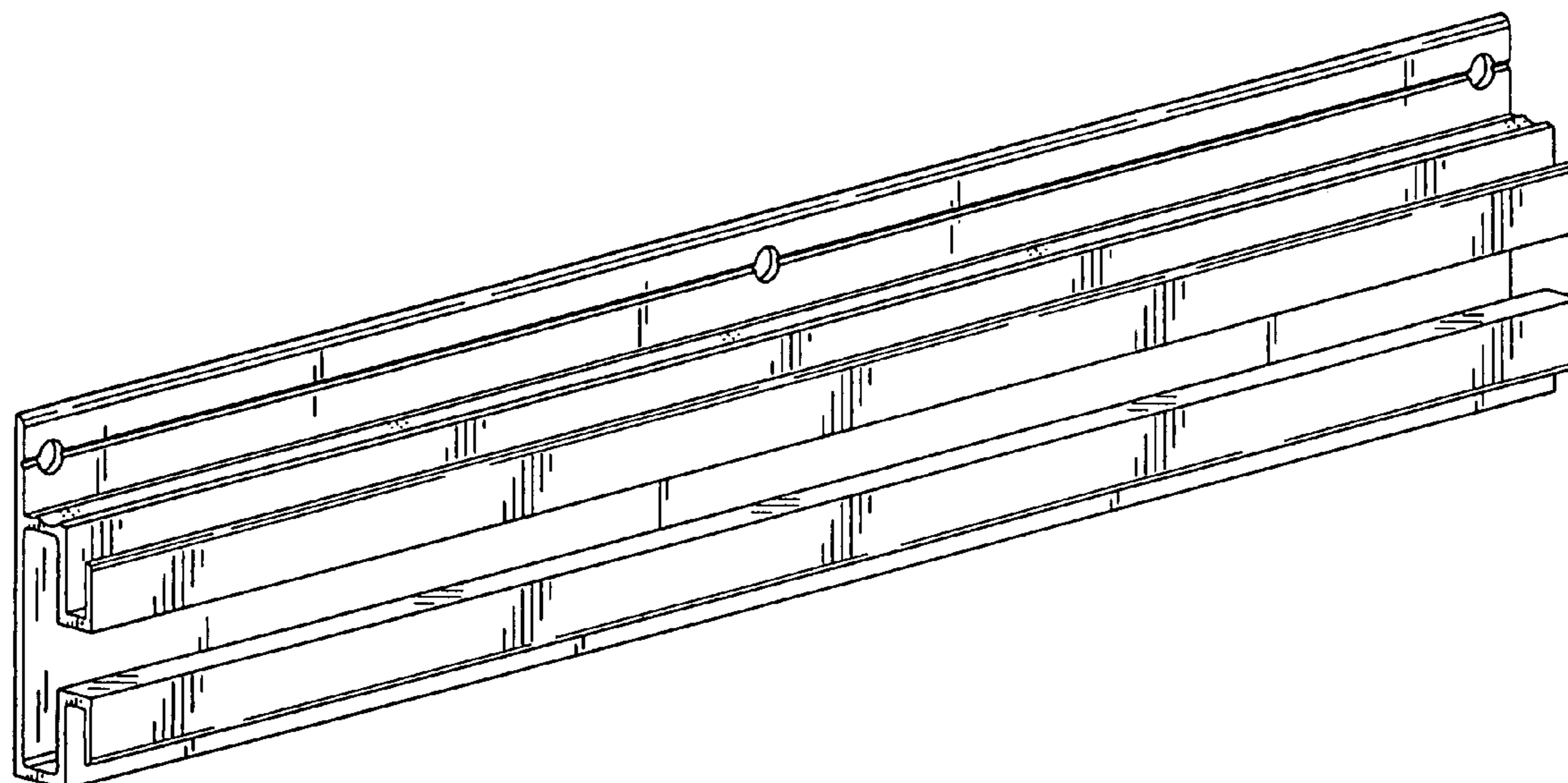
FIG. 3 is a top plan view thereof;

FIG. 4 is front elevational view thereof;

FIG. 5 is a bottom plan view thereof; and,

FIG. 6 a rear elevational view thereof.

1 Claim, 2 Drawing Sheets



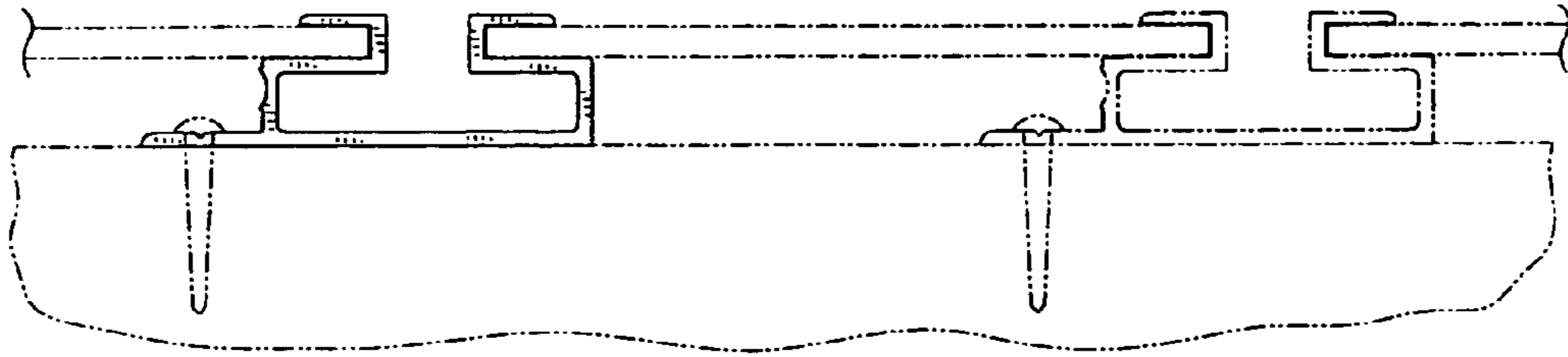


Fig. 2

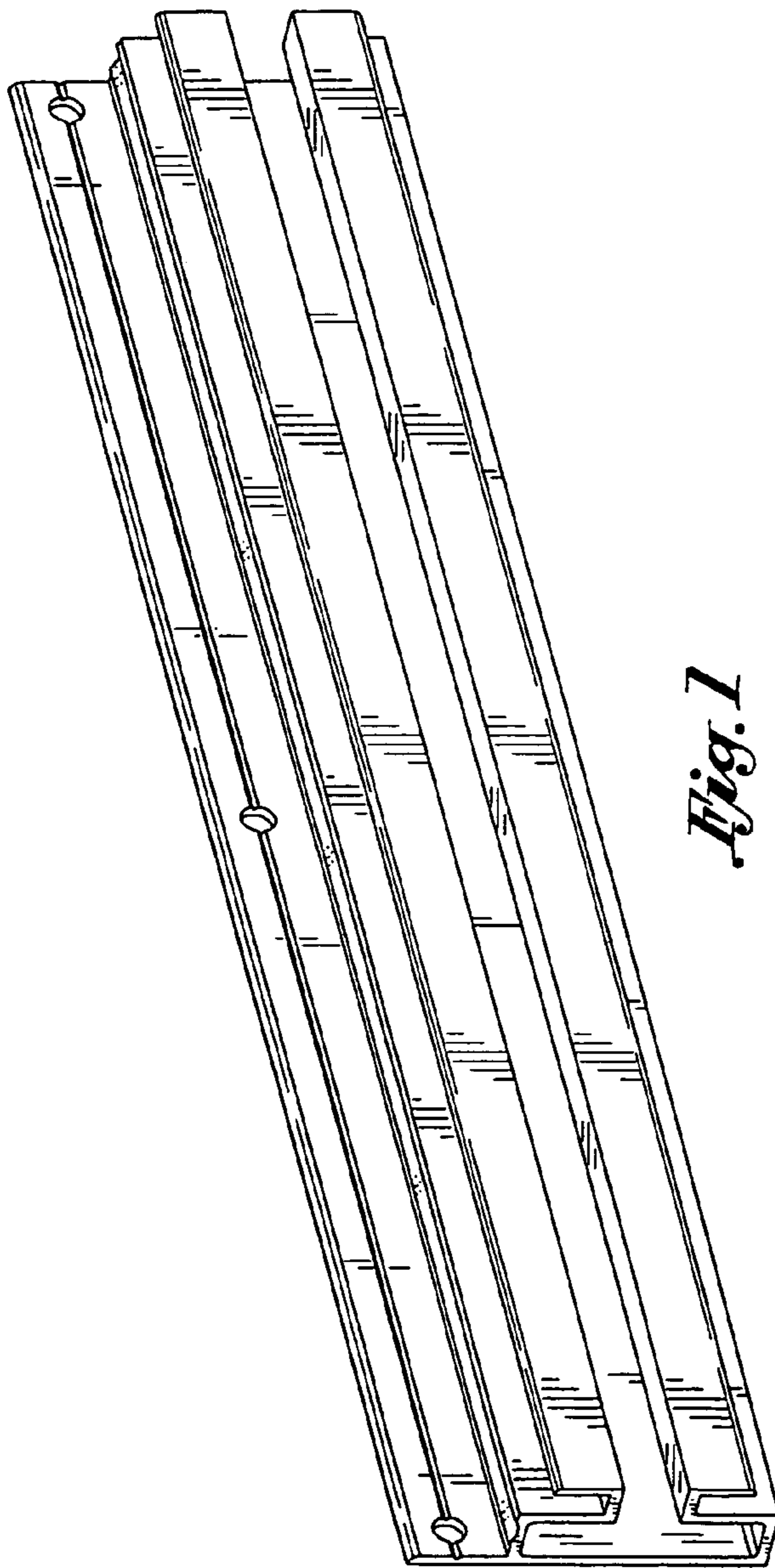


Fig. 1

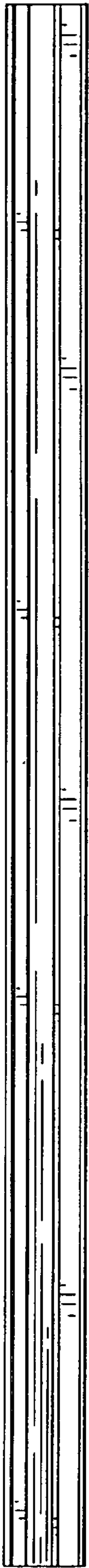


Fig. 3

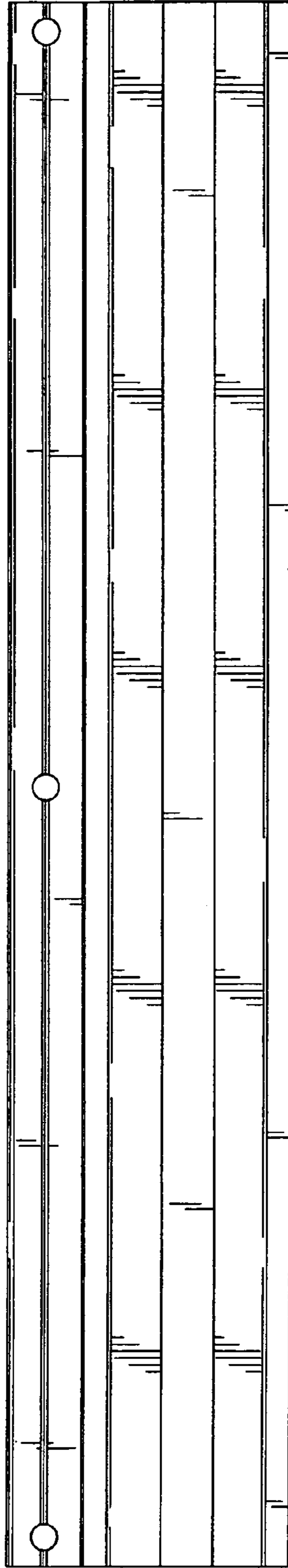


Fig. 4

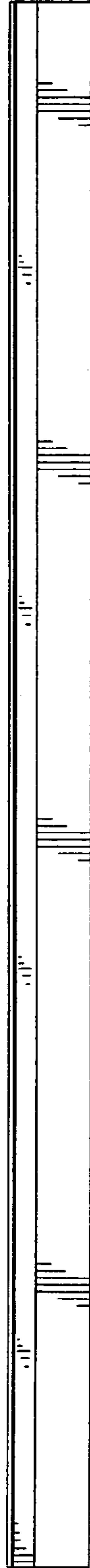


Fig. 5

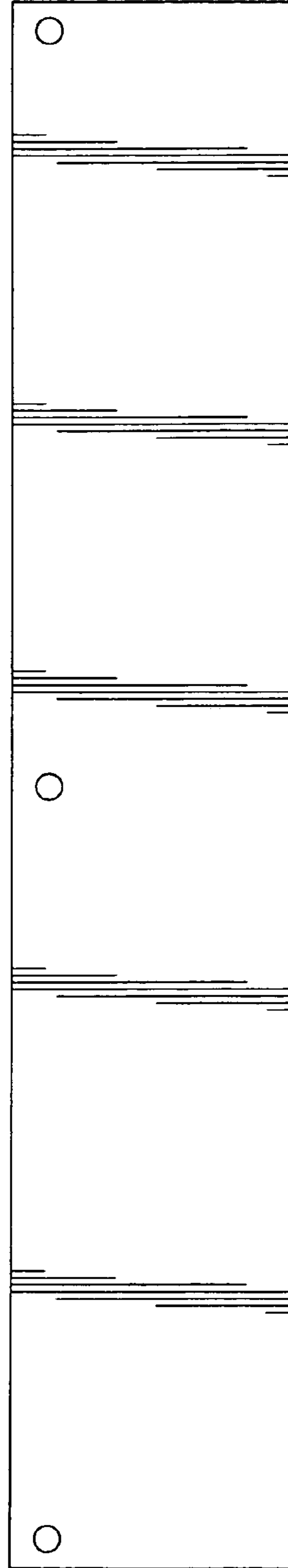


Fig. 6