

US00D568055S

(12) **United States Design Patent**
Fernandez

(10) **Patent No.:** **US D568,055 S**

(45) **Date of Patent:** **** May 6, 2008**

(54) **DIGITAL PICTURE FRAME**

2007/0011929 A1* 1/2007 Cheng 40/700

(75) Inventor: **Juan Fernandez**, Towaco, NJ (US)

(73) Assignee: **Products of Tomorrow, Inc.**, Towaco, NJ (US)

(**) Term: **14 Years**

(21) Appl. No.: **29/269,311**

(22) Filed: **Nov. 27, 2006**

(30) **Foreign Application Priority Data**

Aug. 4, 2006 (CN) 2006 3 0134925
Sep. 12, 2006 (ES) 0503742

(51) **LOC (8) Cl.** **06-04**

(52) **U.S. Cl.** **D6/308**

(58) **Field of Classification Search** D6/300-314;
40/700, 768, 717; D14/371, 372, 448, 449,
D14/450, 374, 381, 382, 336, 337, 250, 146,
D14/341, 496; D20/10; D10/24, 75, 2
See application file for complete search history.

(56) **References Cited**

U.S. PATENT DOCUMENTS

- 676,373 A * 6/1901 Simpson 206/81
- D243,378 S * 2/1977 Tharp D6/300
- D304,884 S * 12/1989 Ackeret D6/311
- D351,148 S * 10/1994 Rodd D14/374
- D355,170 S * 2/1995 Mizusugi et al. D14/336
- 5,960,573 A * 10/1999 Wong 40/757
- D448,376 S * 9/2001 Lee D14/374
- D453,333 S * 2/2002 Chen D14/374
- D465,491 S * 11/2002 Yamada D14/374
- D475,048 S * 5/2003 Wu et al. D14/374
- D481,207 S * 10/2003 Sheldon et al. D6/300
- D486,825 S * 2/2004 Shiota et al. D14/374
- D503,542 S * 4/2005 Chen et al. D6/300
- 2002/0040541 A1* 4/2002 Wang 40/714
- 2005/0126061 A1* 6/2005 Lin 40/735

OTHER PUBLICATIONS

- <http://www.shortcourses.com/how/digitalframe/digitaldisplays.htm>, 5 pages.
- <http://www.wi-fiplanet.com/news/article.php/3093141>, 5 pages.
- http://www.the-gadgeteer.com/review/ceiva_internet_connected_digital_picture_frame_review, 13 pages.

(Continued)

Primary Examiner—Caron D. Veynar
Assistant Examiner—Sydney R Buffalow
(74) *Attorney, Agent, or Firm*—Lerner, David, Littenberg, Krumholz & Mentlik, LLP

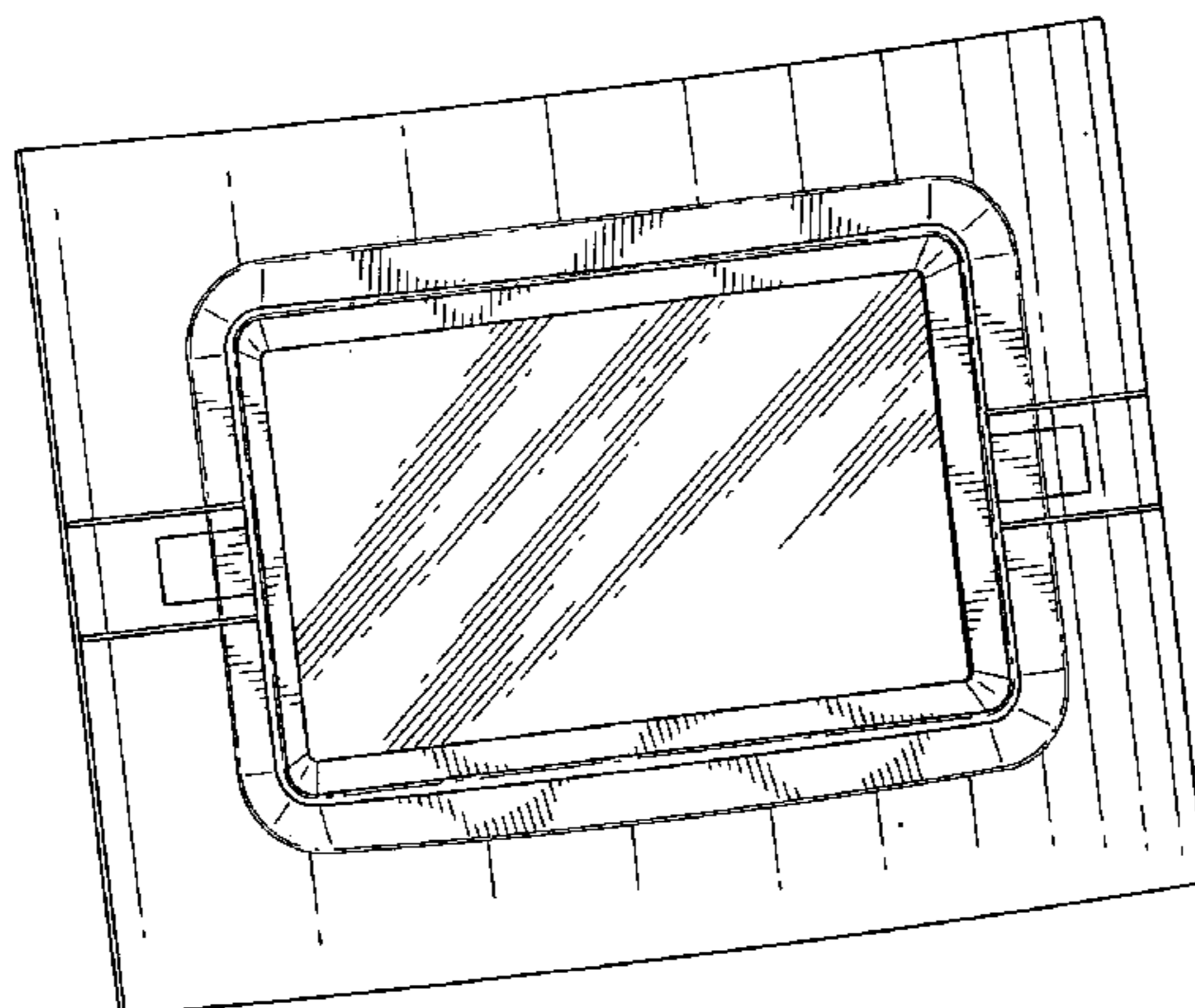
(57) **CLAIM**

the ornamental design for a digital picture frame, as shown and described.

DESCRIPTION

FIG. 1 is a frontal perspective view of a digital picture frame showing my new design;
FIG. 2 is a frontal view of the digital picture frame of FIG. 1;
FIG. 3 is a rear view of the digital picture frame of FIG. 1;
FIG. 4 is a right side view of the digital picture frame of FIG. 1;
FIG. 5 is a left side view of the digital picture frame of FIG. 1;
FIG. 6 is a top view of the digital picture frame of FIG. 1; and,
FIG. 7 is a bottom view of the digital picture frame of FIG. 1.
The broken lines shown are for illustrative purposes only and form no part of the claimed design.

1 Claim, 5 Drawing Sheets



OTHER PUBLICATIONS

<http://www.web100.com/articles/1ceiva/html>, 2 pages.
<http://www.photovu.com/digital.html>, 5 pages.
<http://www.brickhousesecurity.com/vf100g.html>, 3 pages.

<http://www.engadget.com/2006/08/23/new-digital-picture-frames-from-smartparts-and-siren/>, 9 pages.
<http://lcdphoto.com/>, 2 pages.
<http://lcdphoto.com/monet.html>, 2 pages.
* cited by examiner

FIG. 1

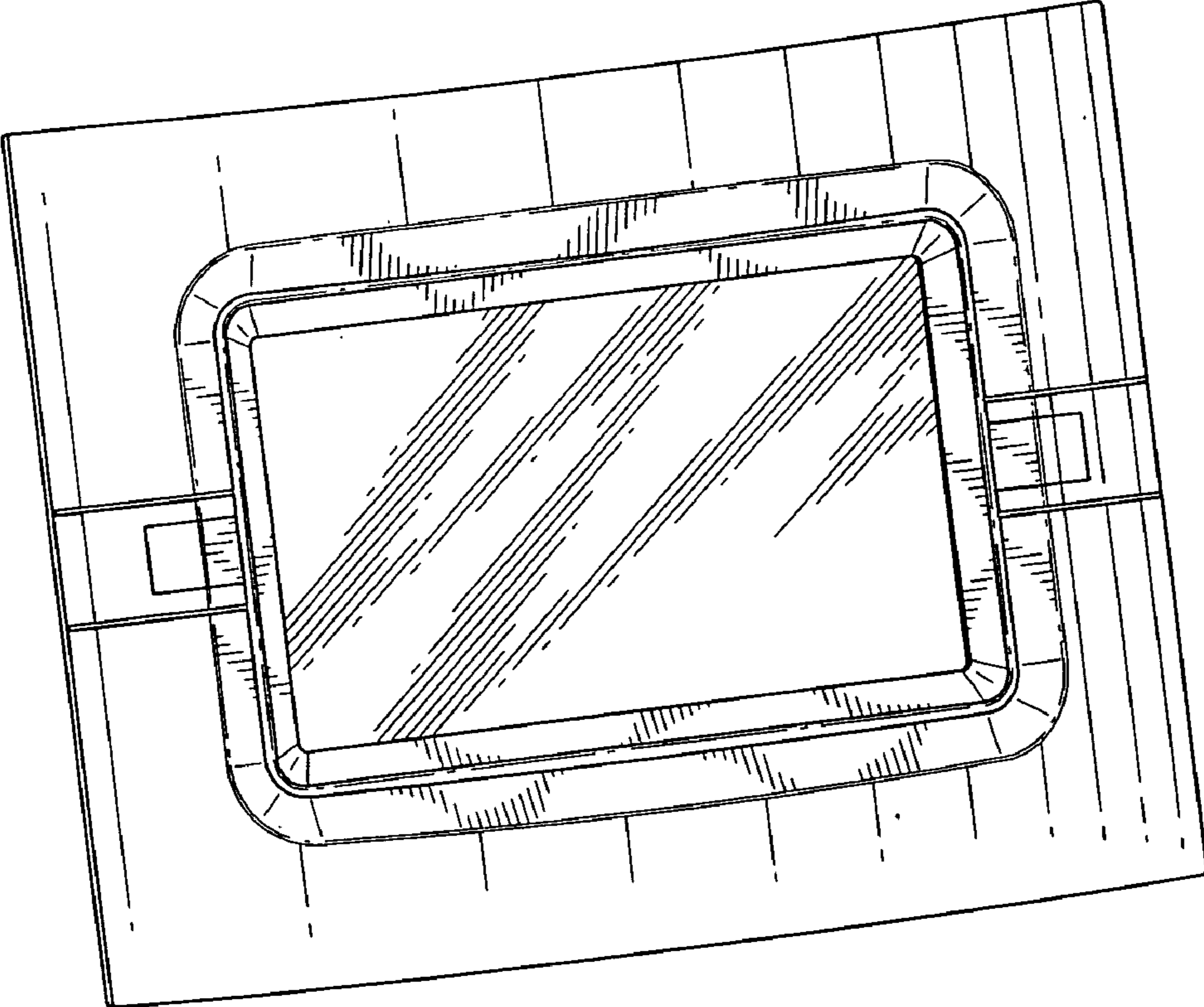


FIG. 2

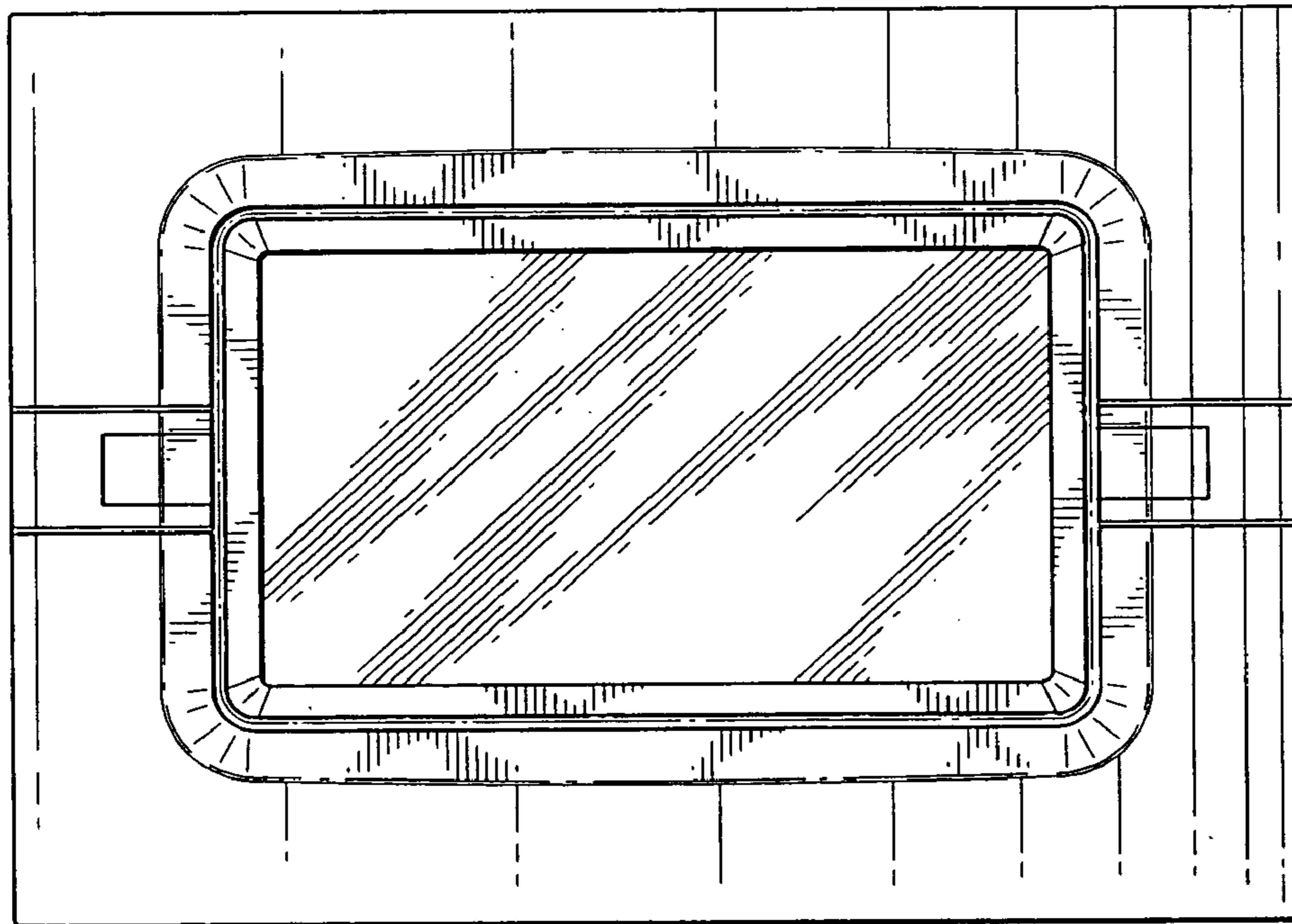


FIG. 3

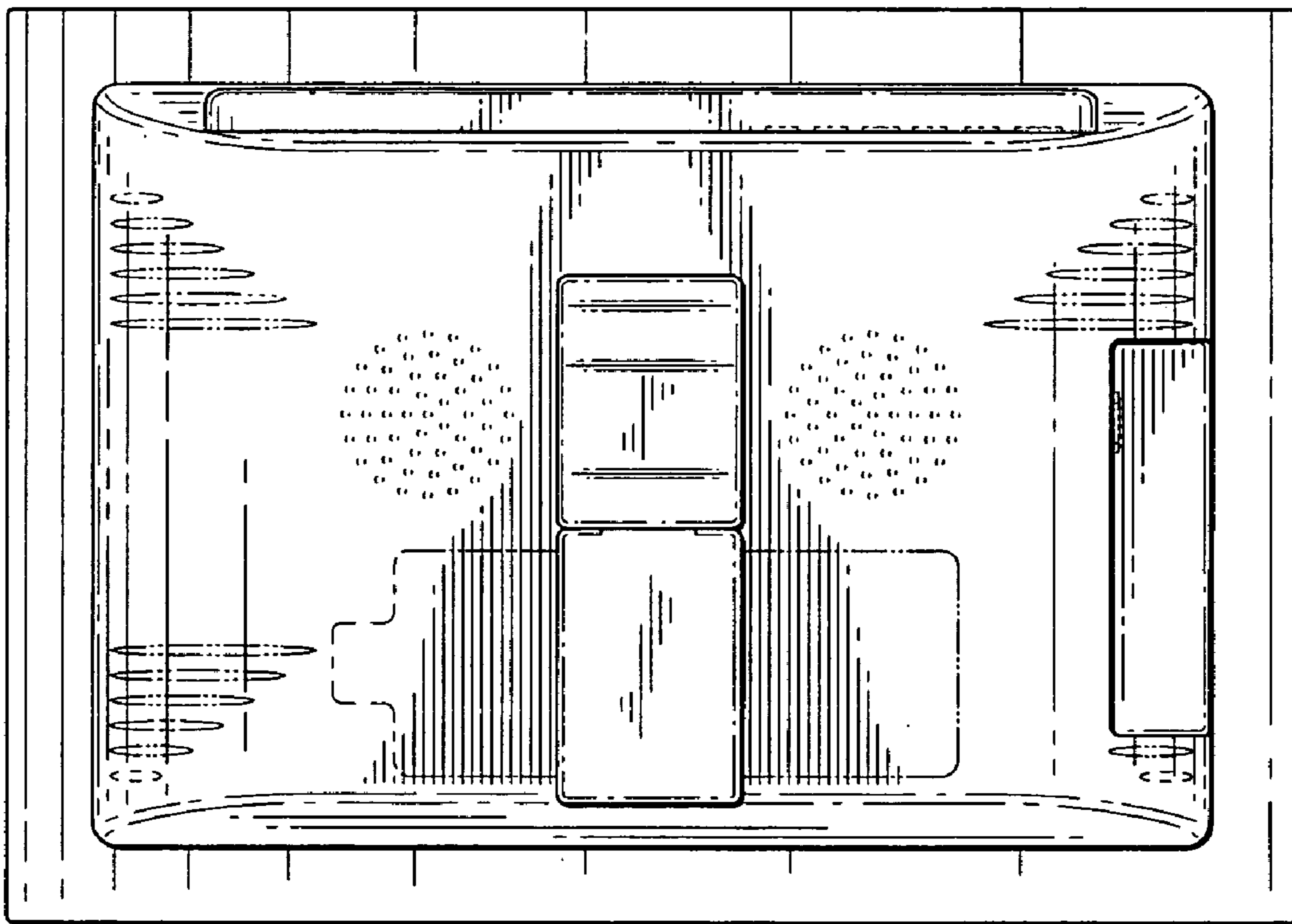


FIG. 4

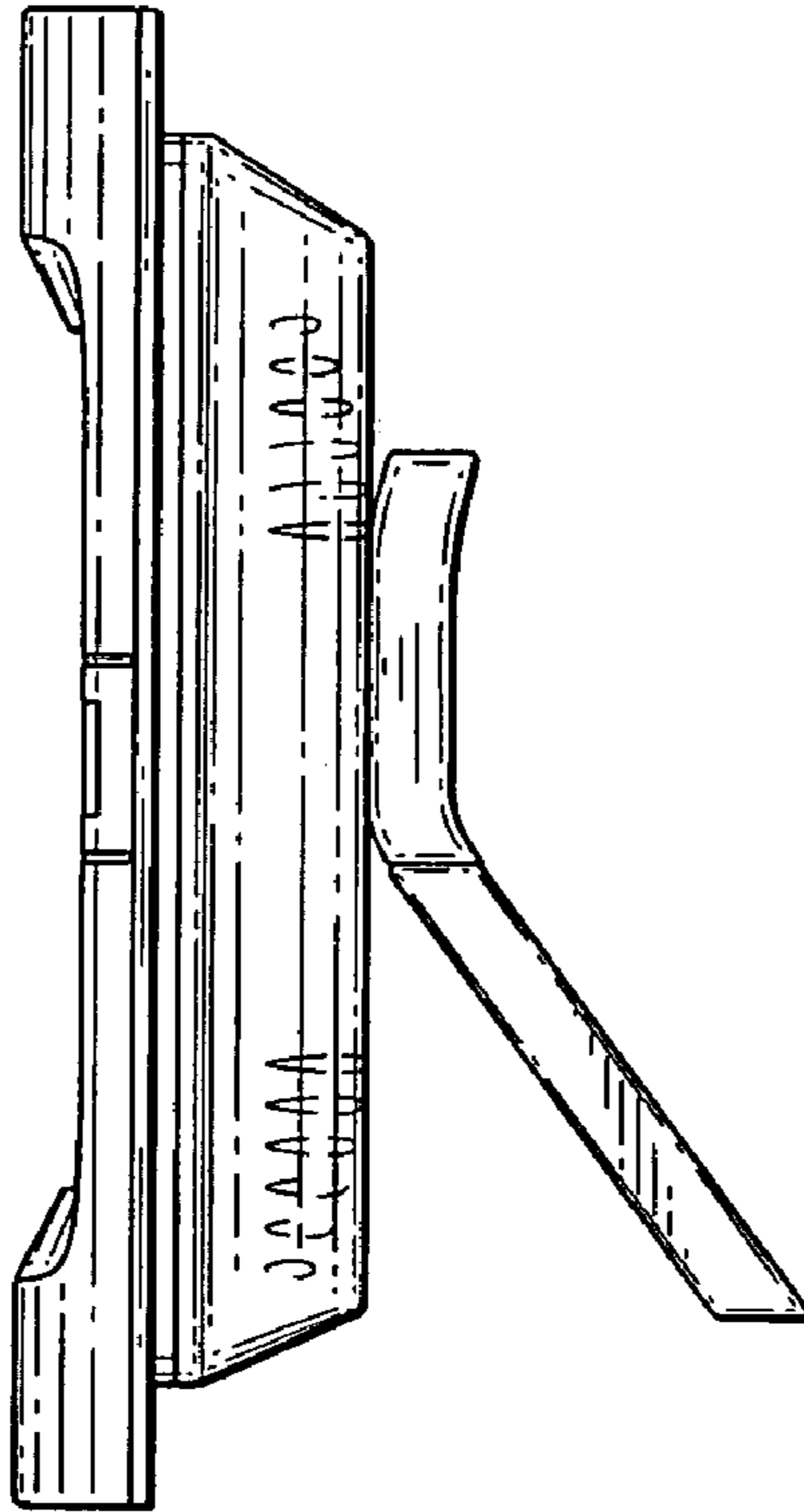


FIG. 5

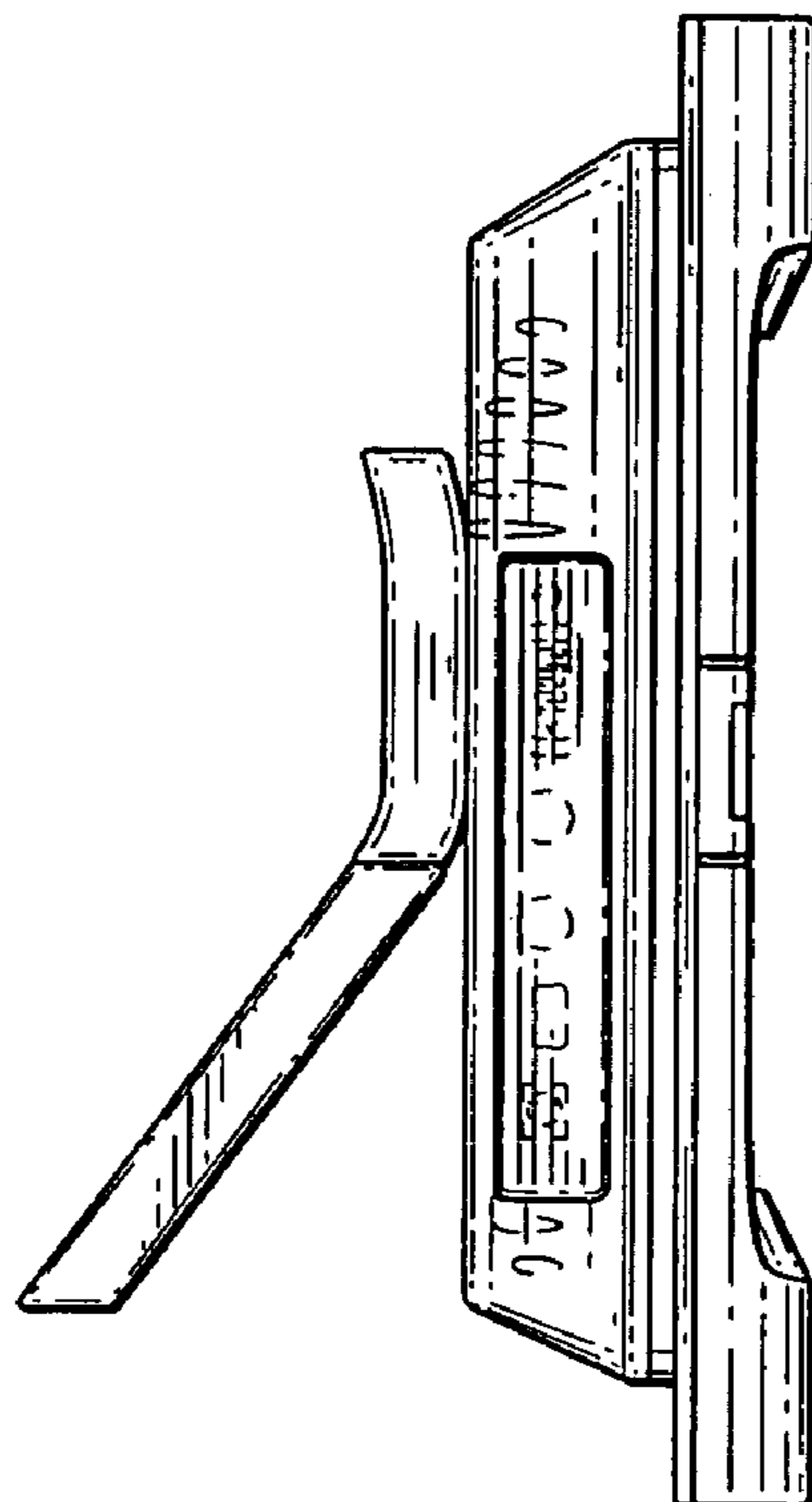


FIG. 6

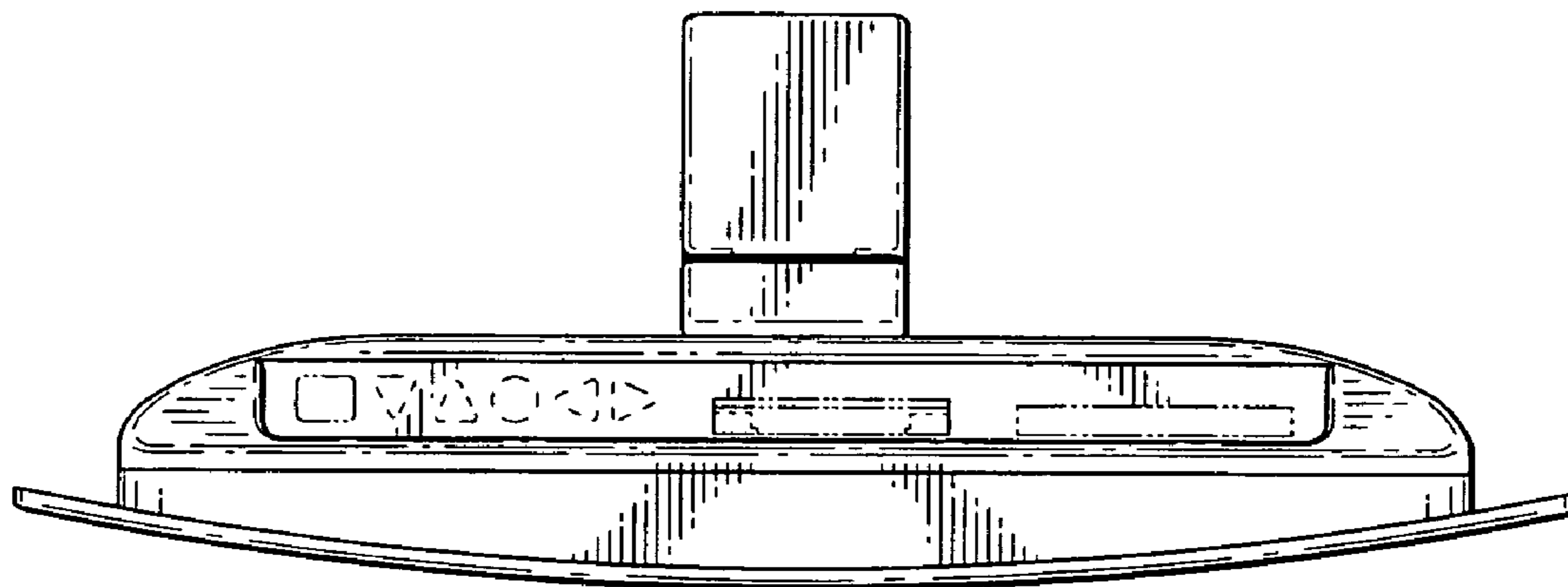


FIG. 7

