



US00D568052S

(12) **United States Design Patent**  
**Taylor et al.**

(10) **Patent No.:** **US D568,052 S**  
(45) **Date of Patent:** **\*\* \*May 6, 2008**

(54) **SET OF ELECTRIC TOOTHBRUSH  
HOLDERS**

(76) Inventors: **Minnie Taylor**, 3055 Estes St.,  
Memphis, TN (US) 38115; **Orlandus  
Sandridge, Jr.**, 20 Patterson Rd.,  
Proctor, AR (US) 72376

4,740,706 A	4/1988	Murdock, III	
4,768,530 A	9/1988	Vaughn	
4,915,219 A	4/1990	Ottimo	
D319,363 S	8/1991	Uemura et al.	
D328,816 S	8/1992	Cook et al.	
5,653,343 A	8/1997	Imai	
5,769,245 A *	6/1998	Butler	211/65
5,794,295 A	8/1998	Shen	

(\* ) Notice: This patent is subject to a terminal dis-  
claimer.

(\*\*) Term: **14 Years**

(21) Appl. No.: **29/210,182**

(22) Filed: **Jul. 28, 2004**

(51) **LOC (8) Cl.** ..... **04-99**

(52) **U.S. Cl.** ..... **D4/199**

(58) **Field of Classification Search** ..... D4/199;  
D6/528, 534; 15/184; 132/308-311; 206/361,  
206/362, 362.1, 362.2, 368, 369, 63.5, 823;  
211/65; 248/110, 111; 220/288, 289  
See application file for complete search history.

(56) **References Cited**

**U.S. PATENT DOCUMENTS**

90,235 A *	5/1869	Burrows	15/184
1,507,466 A *	9/1924	Collins	206/209.1
2,121,488 A	6/1938	Nofz	
D205,991 S *	10/1966	Madl	D13/108
D241,200 S *	8/1976	Halsted et al.	D6/534

\* cited by examiner

*Primary Examiner*—Alan P. Douglas  
*Assistant Examiner*—Lavone D. Tabor  
(74) *Attorney, Agent, or Firm*—Lawrence J. Gibney, Jr.

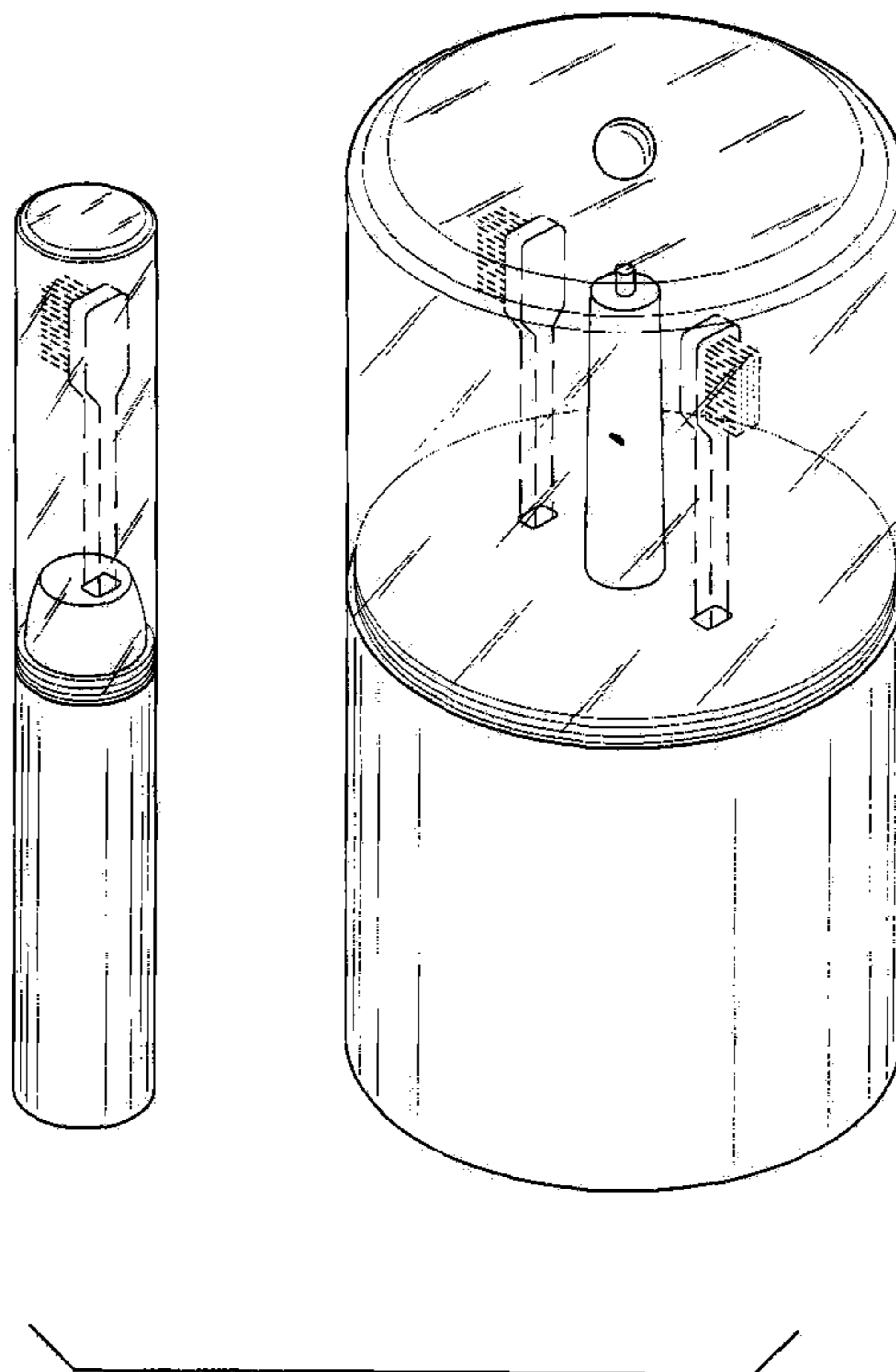
(57) **CLAIM**

The ornamental design for a set of electric toothbrush holders, as shown and described.

**DESCRIPTION**

FIG. 1 is an exploded front view of a set of electric toothbrush holders;  
FIG. 2 is a left side view thereof;  
FIG. 3 is a right side view thereof;  
FIG. 4 is a top view thereof;  
FIG. 5 is a bottom view thereof; and,  
FIG. 6 is a perspective view with the holders in use, the broken line showing of toothbrushes being for illustrative purposes only and forming no part of the claimed design.

**1 Claim, 4 Drawing Sheets**



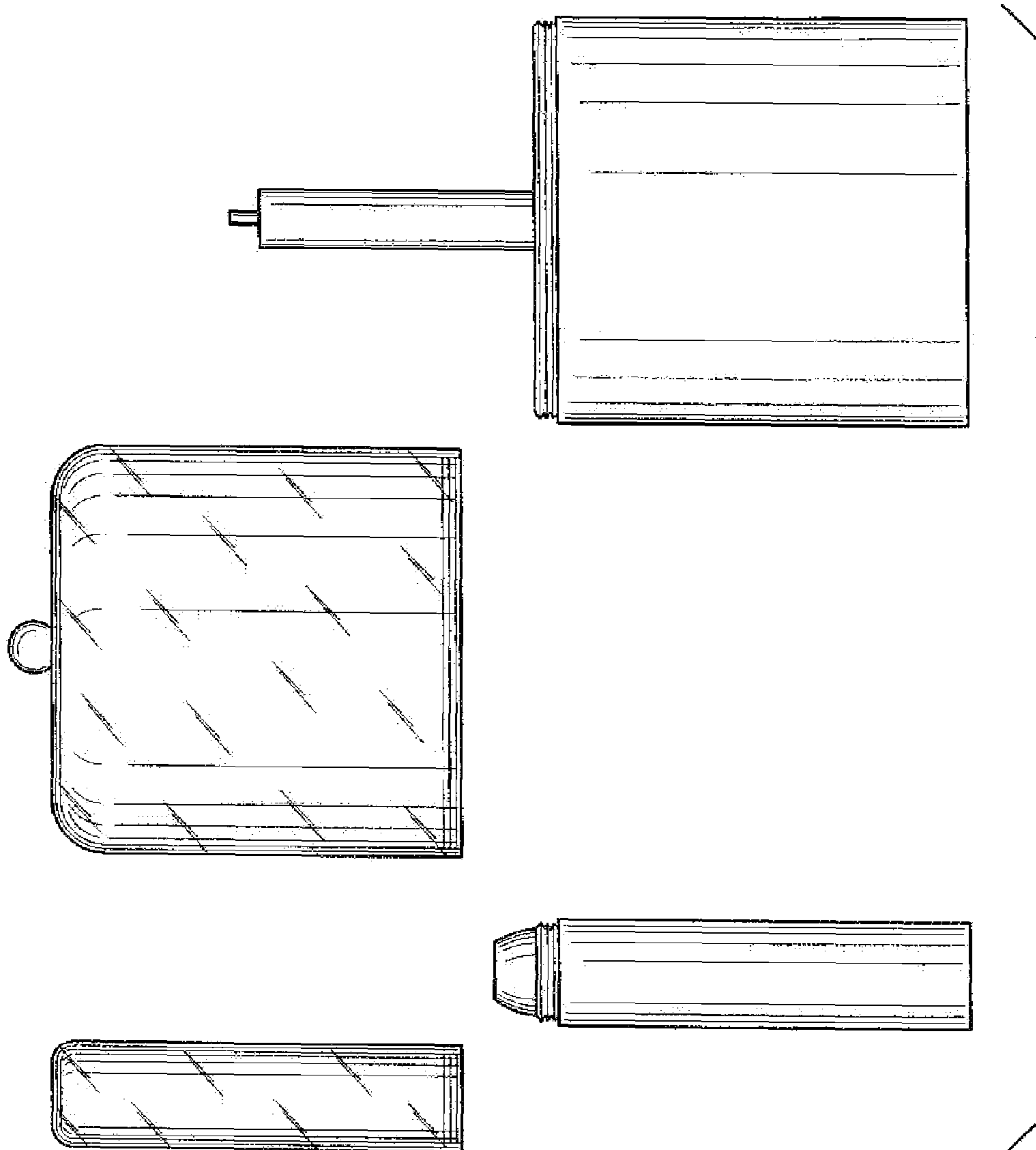


FIG. 1

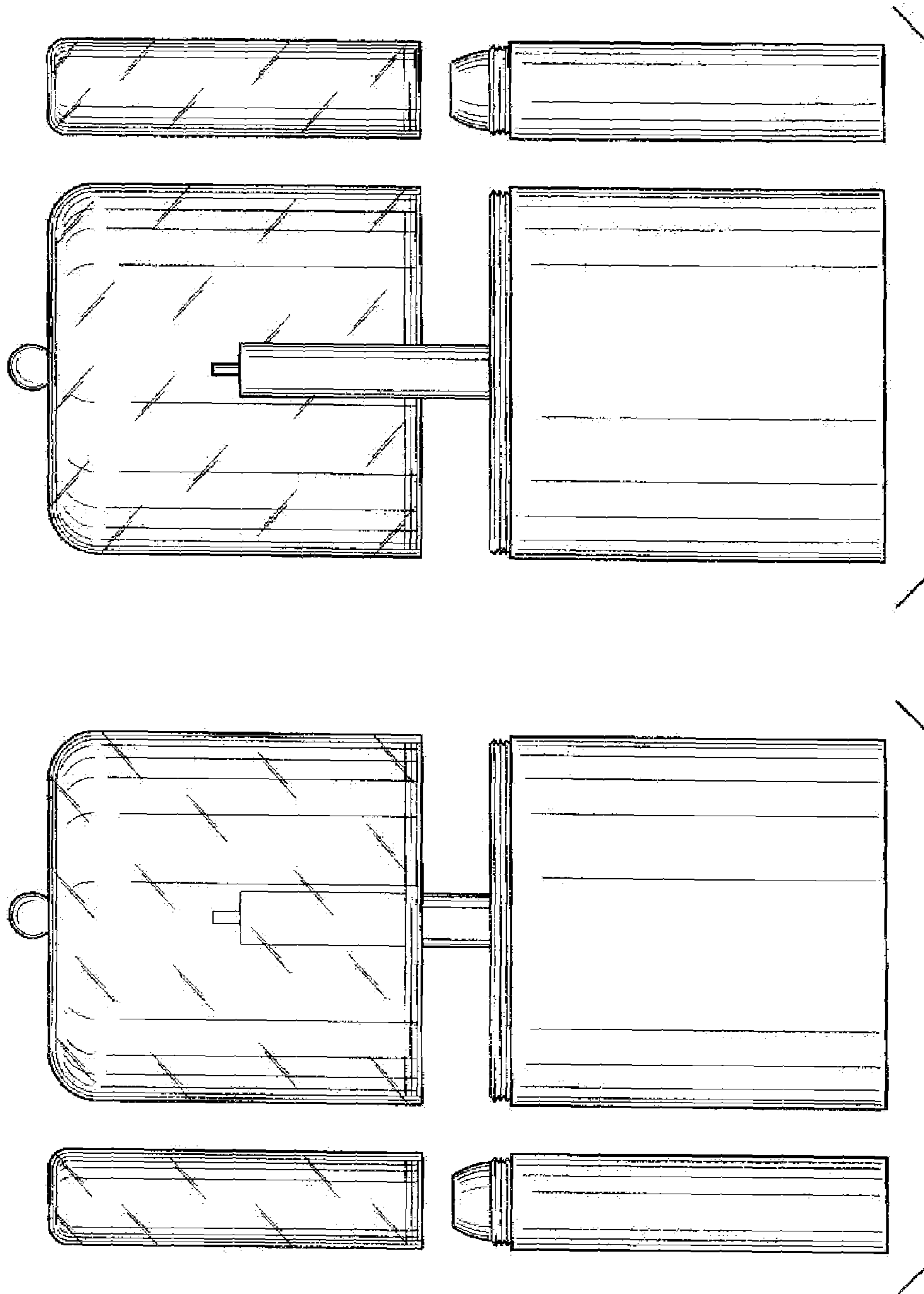
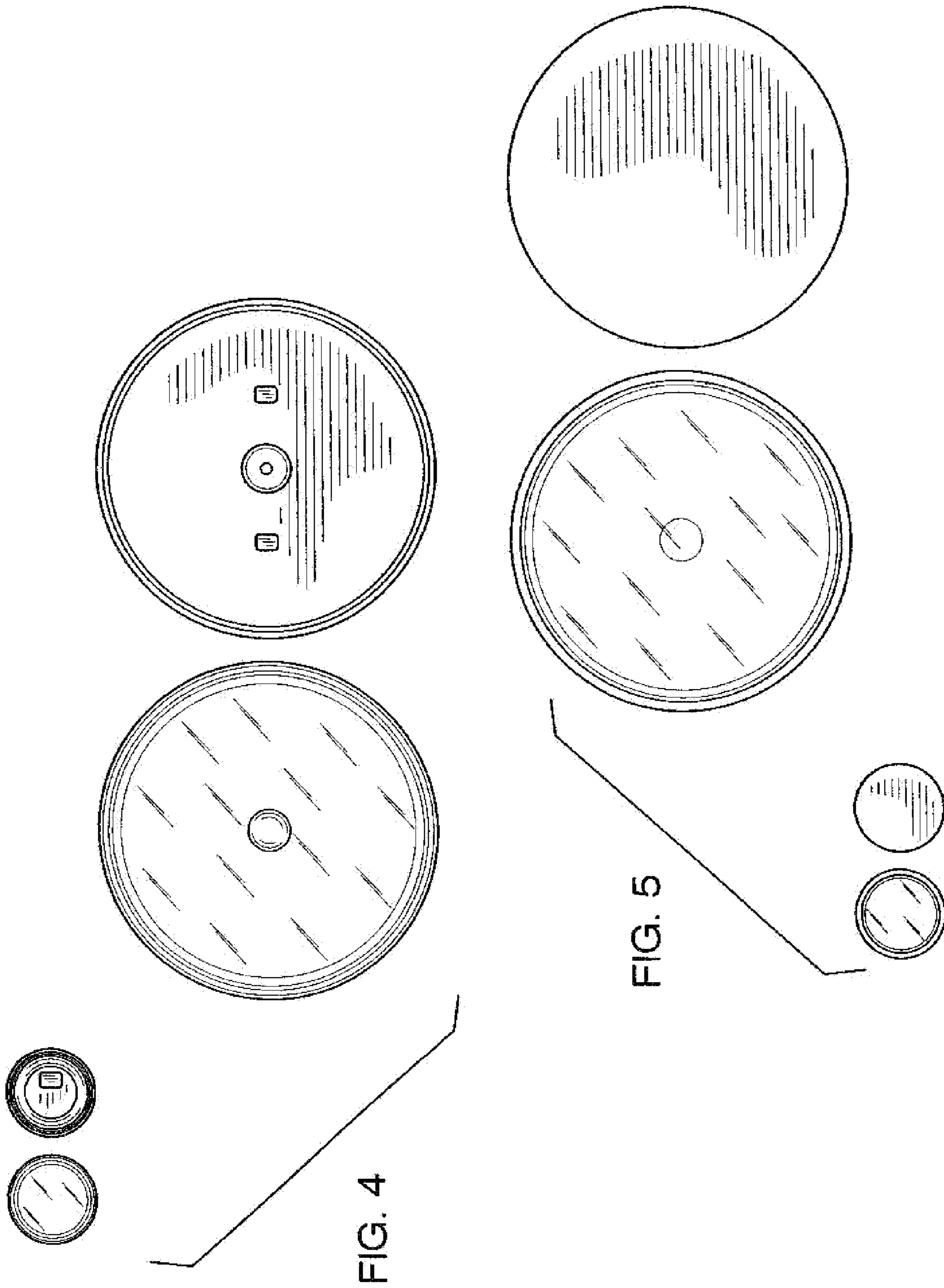


FIG. 3

FIG. 2



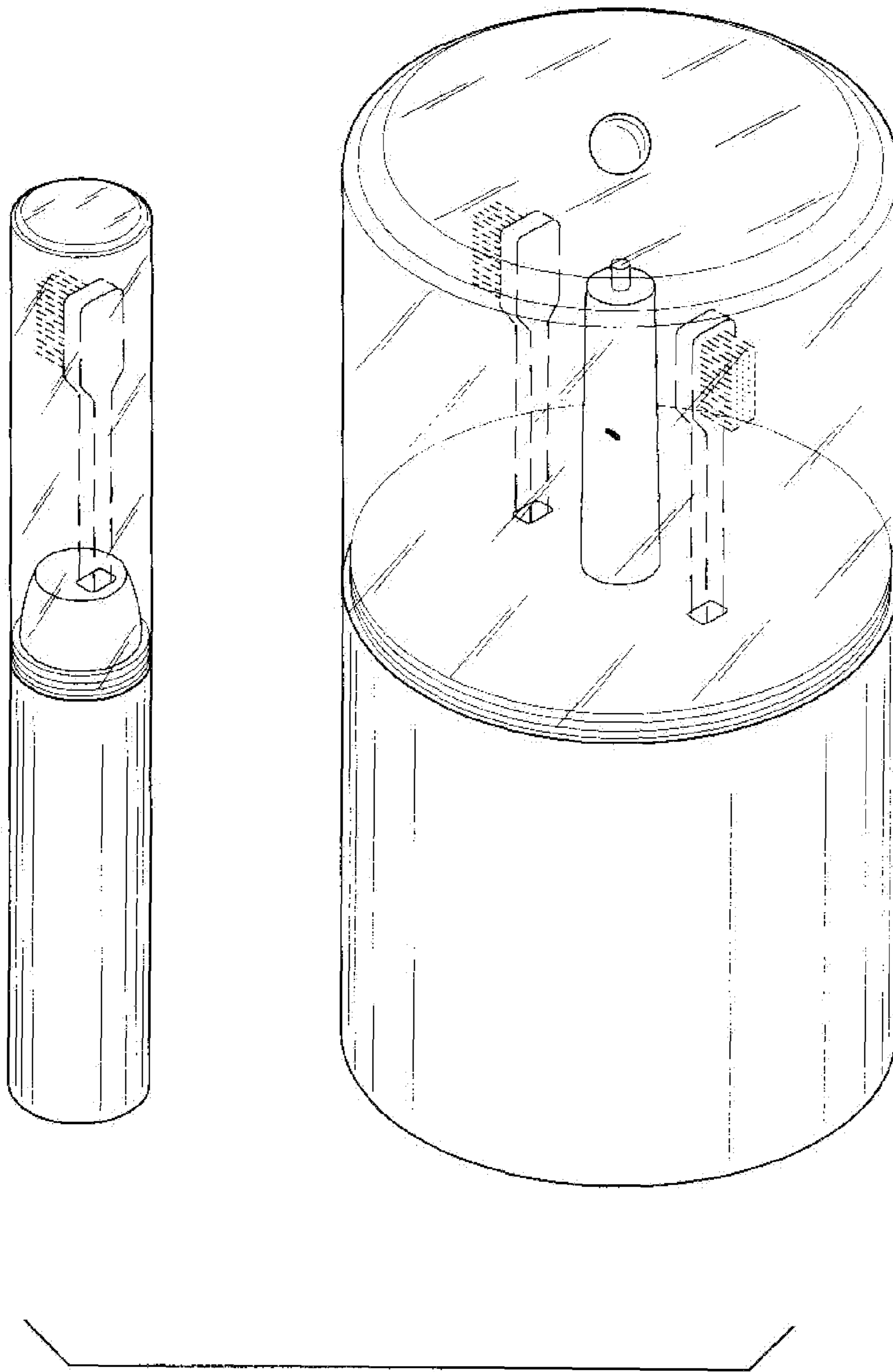


FIG. 6