



US00D568049S

(12) **United States Design Patent** (10) **Patent No.:** **US D568,049 S**
Cooper, Jr. et al. (45) **Date of Patent:** **** May 6, 2008**

(54) **DIVIDER**
(75) Inventors: **Gary W. Cooper, Jr.**, Arlington, TX (US); **Benjamin T. Nicholson**, Arlington, TX (US); **Patrick H. Sullins**, Arlington, TX (US)
(73) Assignee: **Inovar Packaging Group, LLC**, Arlington, TX (US)
(**) Term: **14 Years**

(21) Appl. No.: **29/272,704**
(22) Filed: **Feb. 15, 2007**

Related U.S. Application Data

(63) Continuation-in-part of application No. 29/260,121, filed on May 19, 2006.

(51) **LOC (8) Cl.** **03-01**
(52) **U.S. Cl.** **D3/319**
(58) **Field of Classification Search** D3/272, D3/318, 319; D20/27; D19/67-69, 65, 75, D19/89, 99, 100; 225/6, 7, 25, 33-34, 56, 225/89; 242/588.3-588.5
See application file for complete search history.

(56) **References Cited**

U.S. PATENT DOCUMENTS

2,450,496 A * 10/1948 Whiteley 83/614
3,948,455 A 4/1976 Schwartz
3,973,656 A * 8/1976 Zumbro 191/12 R
4,130,229 A * 12/1978 Pagnini 225/33
D263,059 S * 2/1982 Croyle et al. D19/69
D334,135 S 3/1993 Fraker et al.
D334,664 S 4/1993 Fraker et al.
D334,883 S 4/1993 Fraker et al.
D335,441 S 5/1993 Fraker et al.
D335,816 S 5/1993 Fraker et al.
5,209,423 A * 5/1993 Barginear 242/129.8
D403,575 S 1/1999 Milliorn
5,941,413 A * 8/1999 Roman 221/73
5,950,959 A 9/1999 Milliorn
D454,369 S 3/2002 Milliorn
6,364,188 B1 * 4/2002 Dunshee 225/1
6,647,096 B1 11/2003 Milliorn et al.

D492,356 S * 6/2004 Milliorn et al. D19/69
D501,225 S 1/2005 Milliorn
6,991,106 B2 1/2006 Milliorn
D517,122 S 3/2006 Milliorn
D549,287 S * 8/2007 Pitzen et al. D19/69
2005/0224594 A1 * 10/2005 Wolf 239/34
2007/0267309 A1 * 11/2007 Cooper et al. 206/409

OTHER PUBLICATIONS

<http://www.prsfoodservice.com/images/The%20Label%20Box1.JPG> Dec. 10, 2007.*
<http://www.daydots.com/Assets/prodshot/113117-02-00.jpg> Dec. 10, 2007.*
U.S. Appl. No. 29/260,121, Gary W. Cooper, Jr., et al.
U.S. Appl. No. 60/801,852, Gary W. Cooper, Jr., et al.
Daydots Food Safety Solutions; Summer 2003; pp. 1, 2, 26, 32, 33, 64.
Dot-It Food Rotation & Custom Labels; May 15, 2005; pp. 2, 4-7, 12-16, 18, 19.

* cited by examiner

Primary Examiner—Louis S. Zarfaz
Assistant Examiner—Kathleen Sims
(74) *Attorney, Agent, or Firm*—Haynes and Boone, LLP

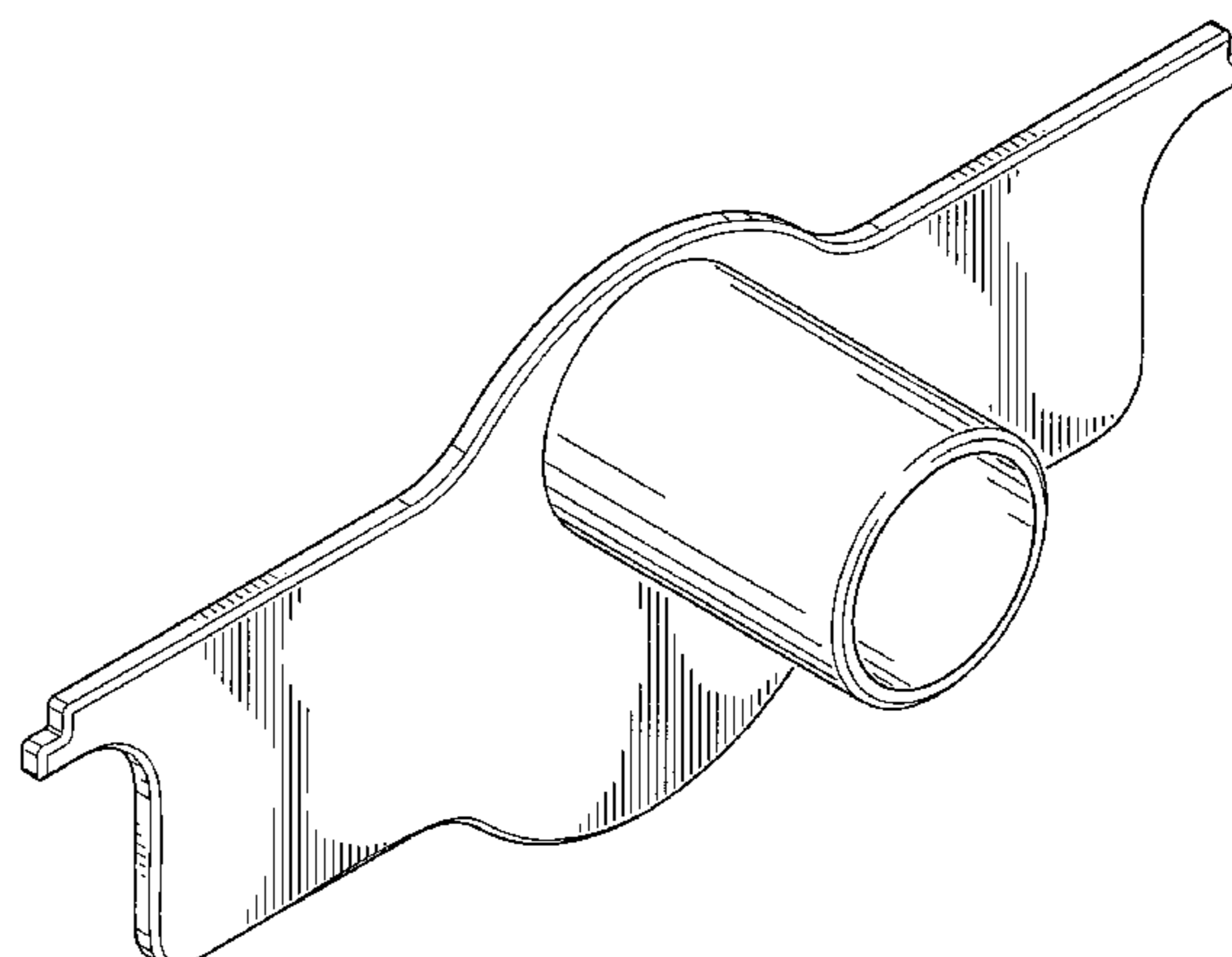
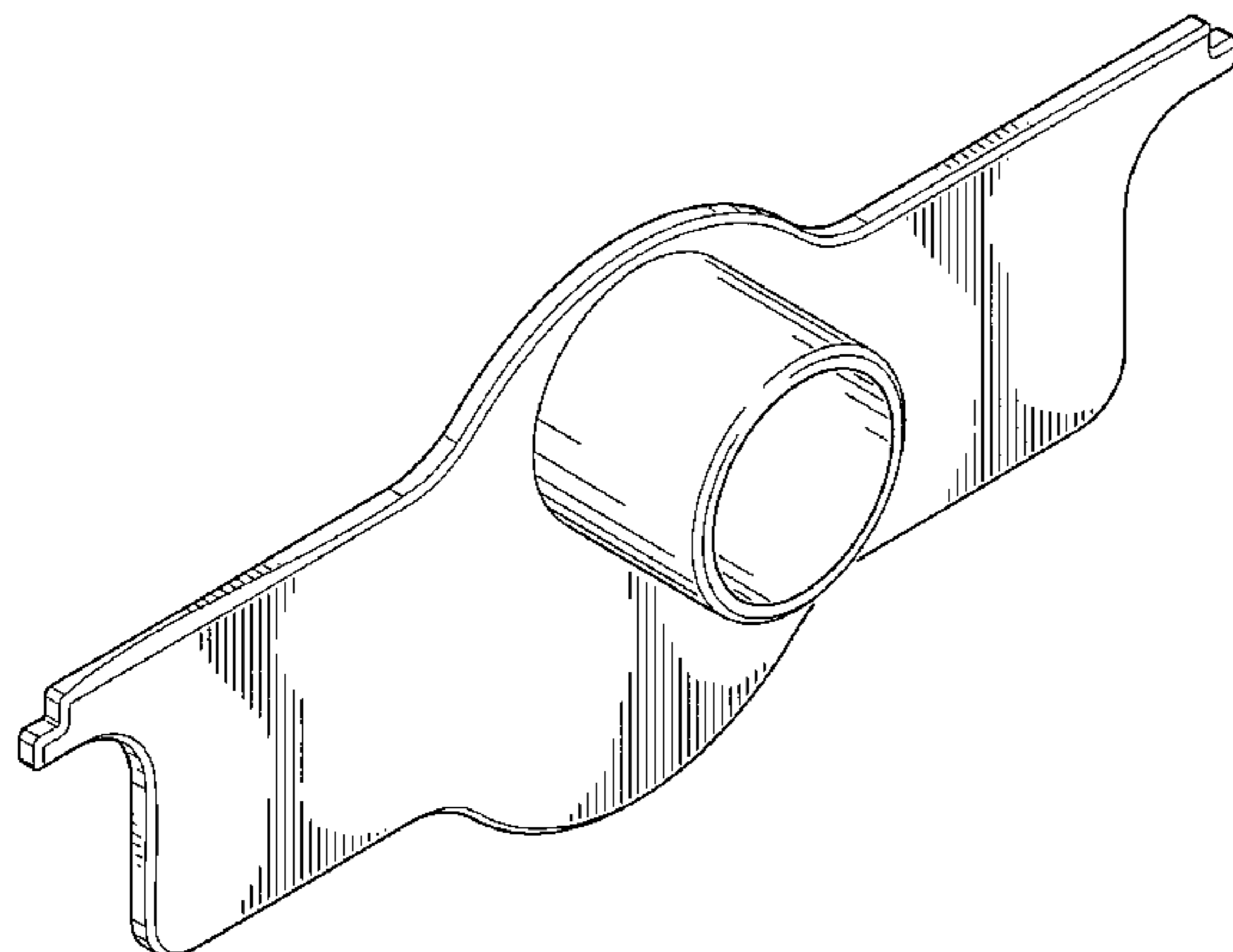
(57) **CLAIM**

The ornamental design for a divider, as shown and described.

DESCRIPTION

FIG. 1 is a perspective view of a first embodiment of the divider showing our new design;
FIG. 2 is a front elevational view thereof;
FIG. 3 is a right side view thereof;
FIG. 4 is a left side view thereof;
FIG. 5 is a rear view thereof;
FIG. 6 is a top plan view thereof;
FIG. 7 is a bottom plan view thereof; and,
FIG. 8 is a perspective view of a second embodiment of the divider showing our new design.

1 Claim, 3 Drawing Sheets



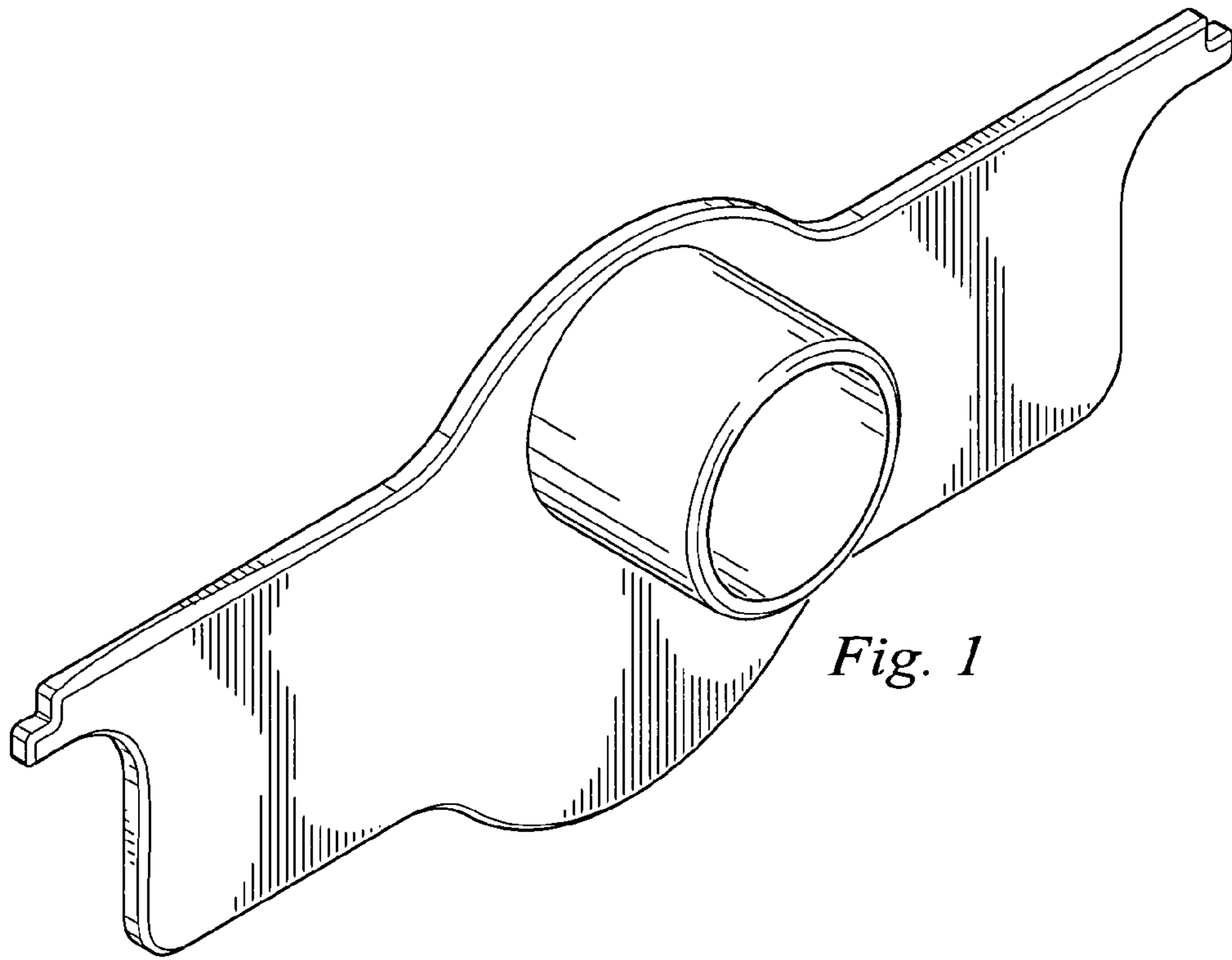


Fig. 1

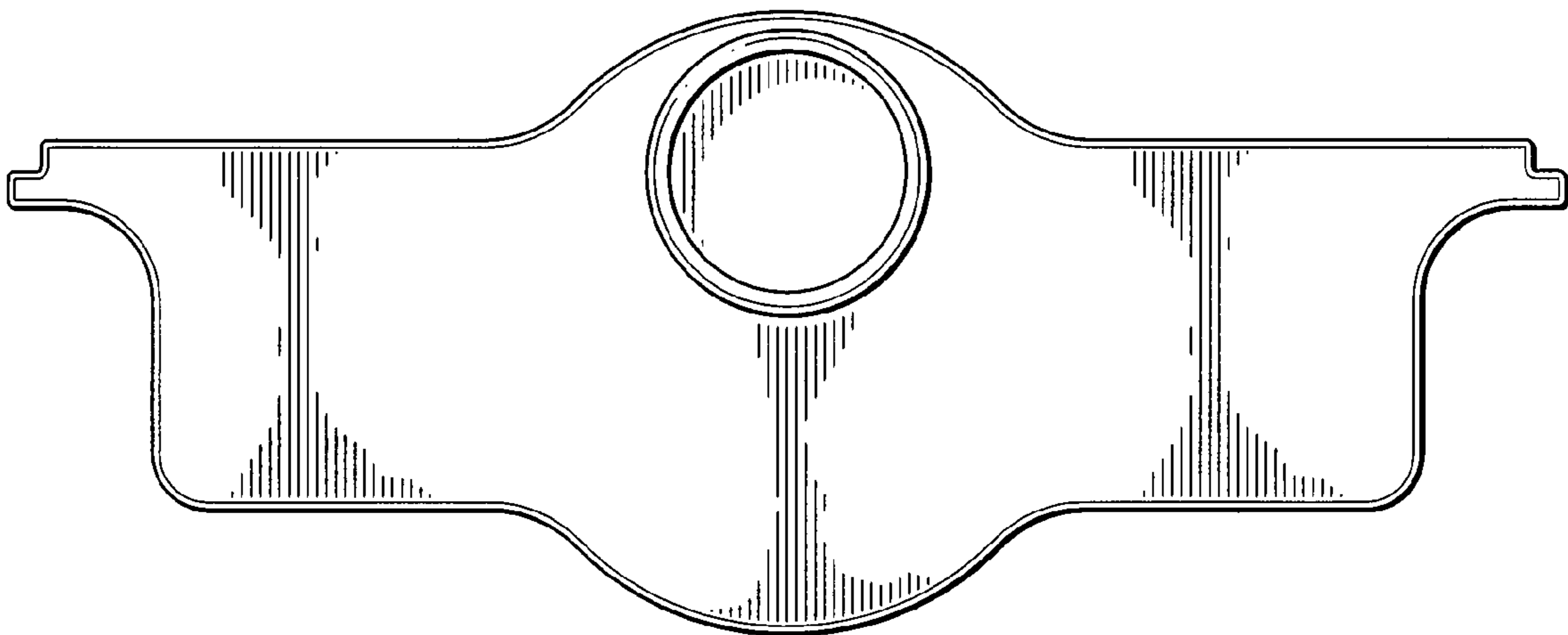


Fig. 2

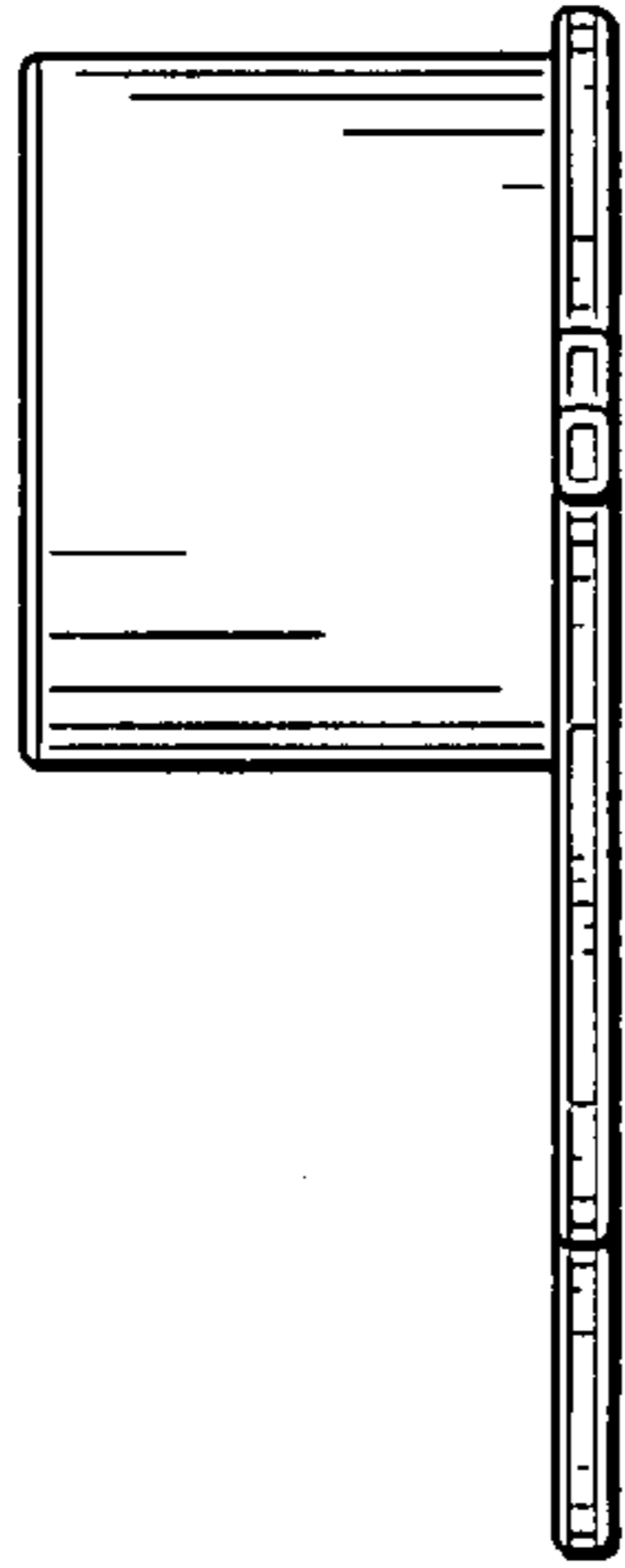


Fig. 3

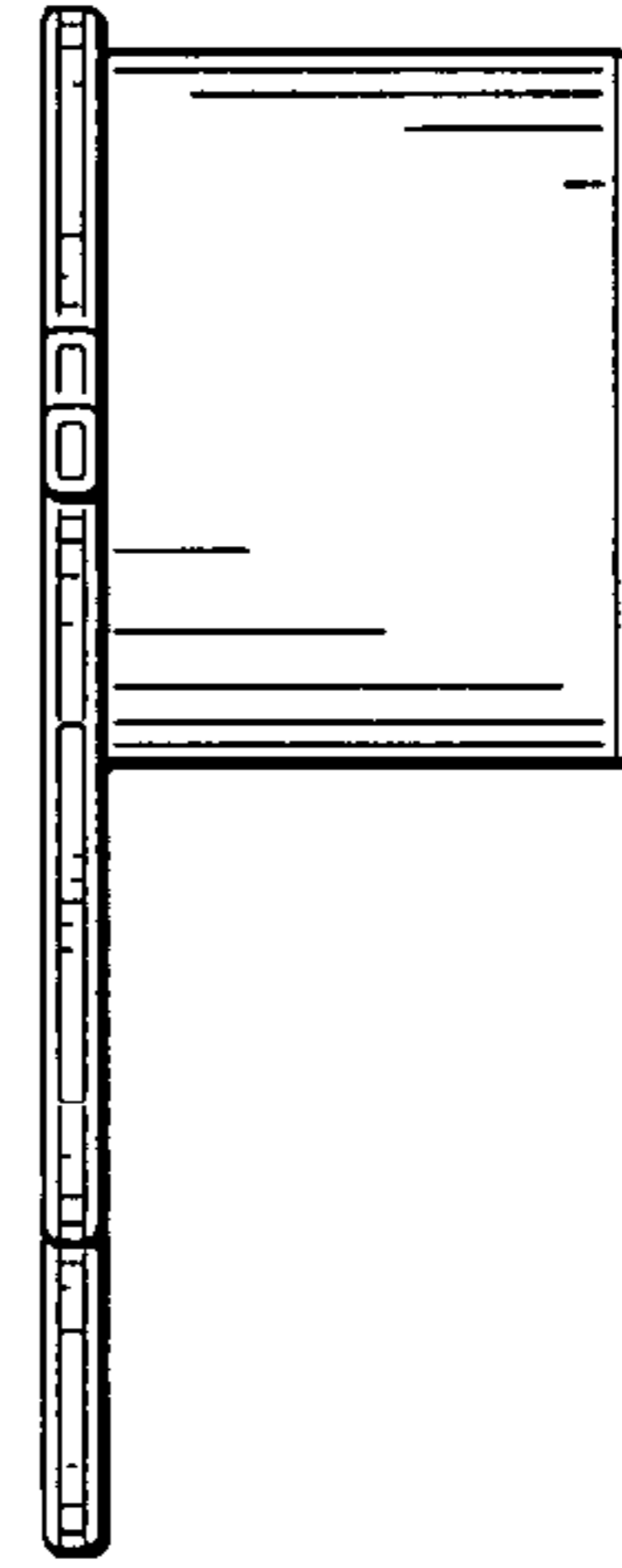


Fig. 4

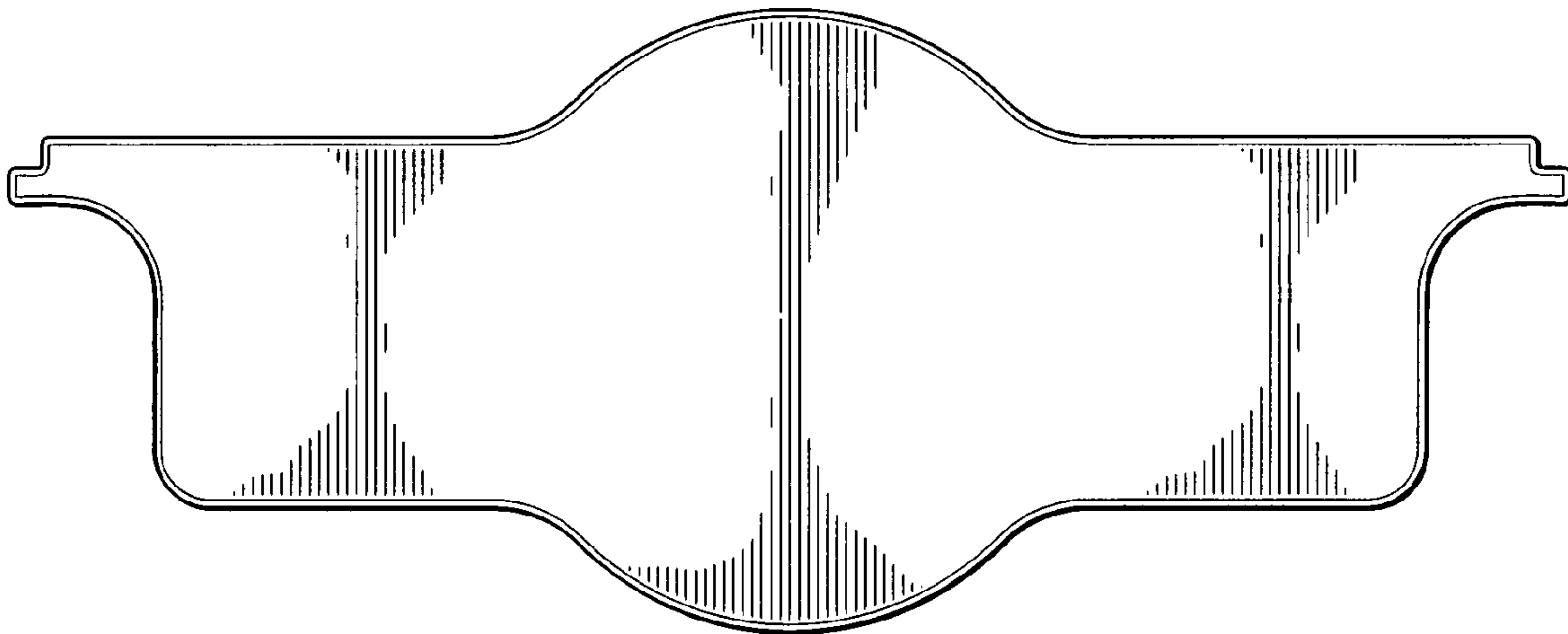


Fig. 5

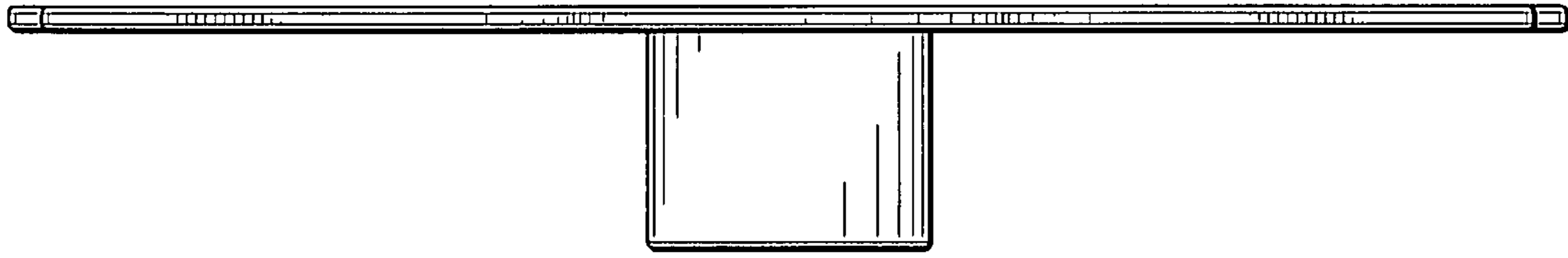


Fig. 6

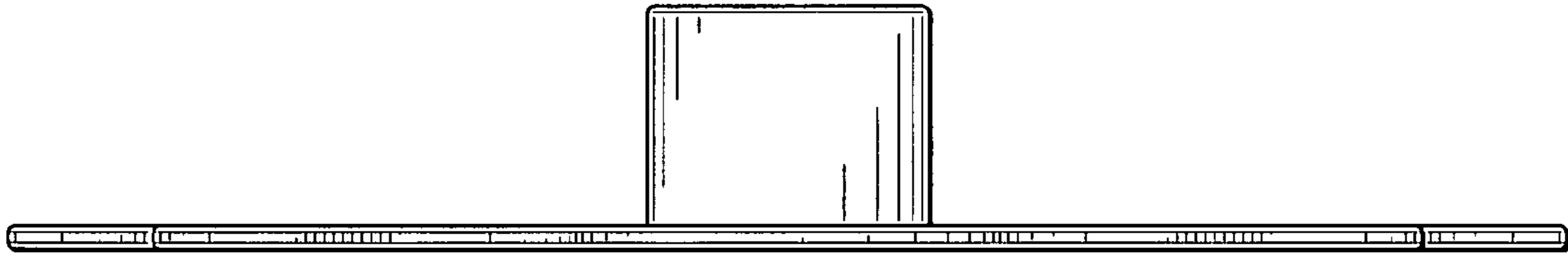


Fig. 7

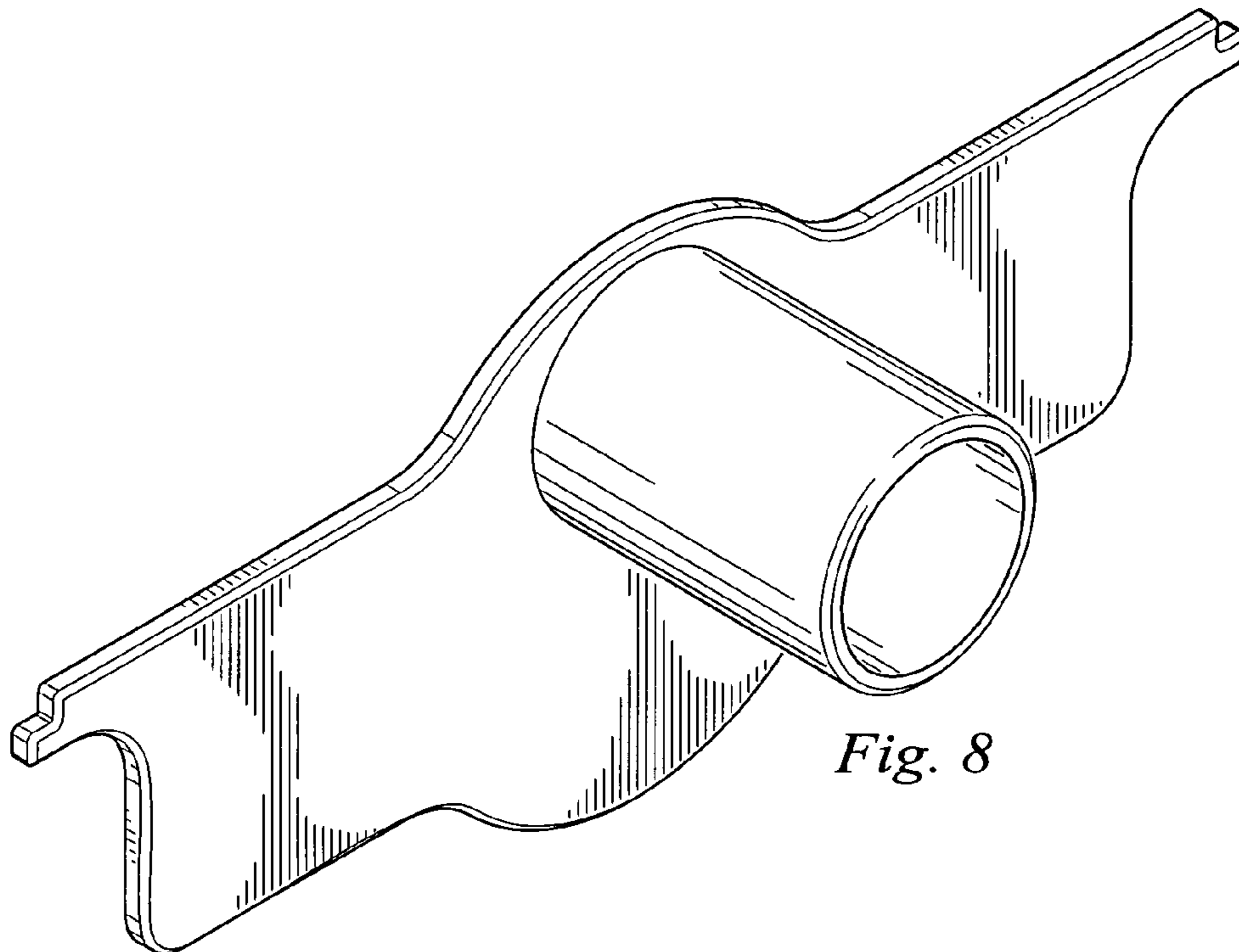


Fig. 8