



US00D568048S

(12) **United States Design Patent** (10) **Patent No.:** **US D568,048 S**  
**Cooper, Jr. et al.** (45) **Date of Patent:** **\*\* May 6, 2008**

(54) **DIVIDER**

(75) Inventors: **Gary W. Cooper, Jr.**, Arlington, TX (US); **Benjamin T. Nicholson**, Arlington, TX (US); **Patrick H. Sullins**, Arlington, TX (US); **Brett A. Sutton**, Arlington, TX (US)

(73) Assignee: **Inovar Packaging Group, LLC**, Arlington, TX (US)

(\*\*) Term: **14 Years**

(21) Appl. No.: **29/260,121**

(22) Filed: **May 19, 2006**

(51) **LOC (8) Cl.** ..... **03-01**

(52) **U.S. Cl.** ..... **D3/319**

(58) **Field of Classification Search** ..... D3/272, D3/318, 319; D20/27; D19/67-69, 65, 75, D19/89, 99, 100; 225/6, 7, 25, 33-34, 56, 225/89; 242/588.3-588.5

See application file for complete search history.

(56) **References Cited**

**U.S. PATENT DOCUMENTS**

2,450,496	A *	10/1948	Whiteley	83/614
3,948,455	A	4/1976	Schwartz	
3,973,656	A *	8/1976	Zumbro	191/12 R
4,130,229	A *	12/1978	Pagnini	225/33
D263,059	S *	2/1982	Croyle et al.	D19/69
D334,135	S	3/1993	Fraker et al.	
D334,664	S	4/1993	Fraker et al.	
D334,883	S	4/1993	Fraker et al.	
D335,441	S	5/1993	Fraker et al.	
D335,816	S	5/1993	Fraker et al.	
5,209,423	A *	5/1993	Barginear	242/129.8
D403,575	S	1/1999	Milliorn	
5,941,413	A *	8/1999	Roman	221/73
5,950,959	A	9/1999	Milliorn	
D454,369	S	3/2002	Milliorn	
6,364,188	B1 *	4/2002	Dunshee	225/1
6,647,096	B1	11/2003	Milliorn et al.	

D492,356	S *	6/2004	Milliorn et al.	D19/69
D501,225	S	1/2005	Milliorn	
6,991,106	B2	1/2006	Milliorn	
D517,122	S	3/2006	Milliorn	
D549,287	S *	8/2007	Pitzen et al.	D19/69
2005/0224594	A1 *	10/2005	Wolf	239/34
2007/0267309	A1 *	11/2007	Cooper et al.	206/409

**OTHER PUBLICATIONS**

<http://www.prsfoodservice.com/images/The%20Label%20Box1.JPG> Dec. 10, 2007.\*

<http://www.daydots.com/Assets/prodshot/11317-02-00.jpg> Dec. 10, 2007.\*

Daydots Food Safety Solutions; Summer 2003; pp. 1, 2, 26, 32, 33, 64.

Dot-It Food Rotation & Custom Labels; May 15, 2005; pp. 2, 4-7, 12-16, 18, 19.

\* cited by examiner

*Primary Examiner*—Louis S. Zarfaz

*Assistant Examiner*—Kathleen Sims

(74) *Attorney, Agent, or Firm*—Haynes and Boone, LLP

(57) **CLAIM**

The ornamental design for a divider, as shown and described.

**DESCRIPTION**

FIG. 1 is a perspective view of a first embodiment of the divider showing our new design;

FIG. 2 is a right side view thereof;

FIG. 3 is a left side view thereof;

FIG. 4 is a front view thereof;

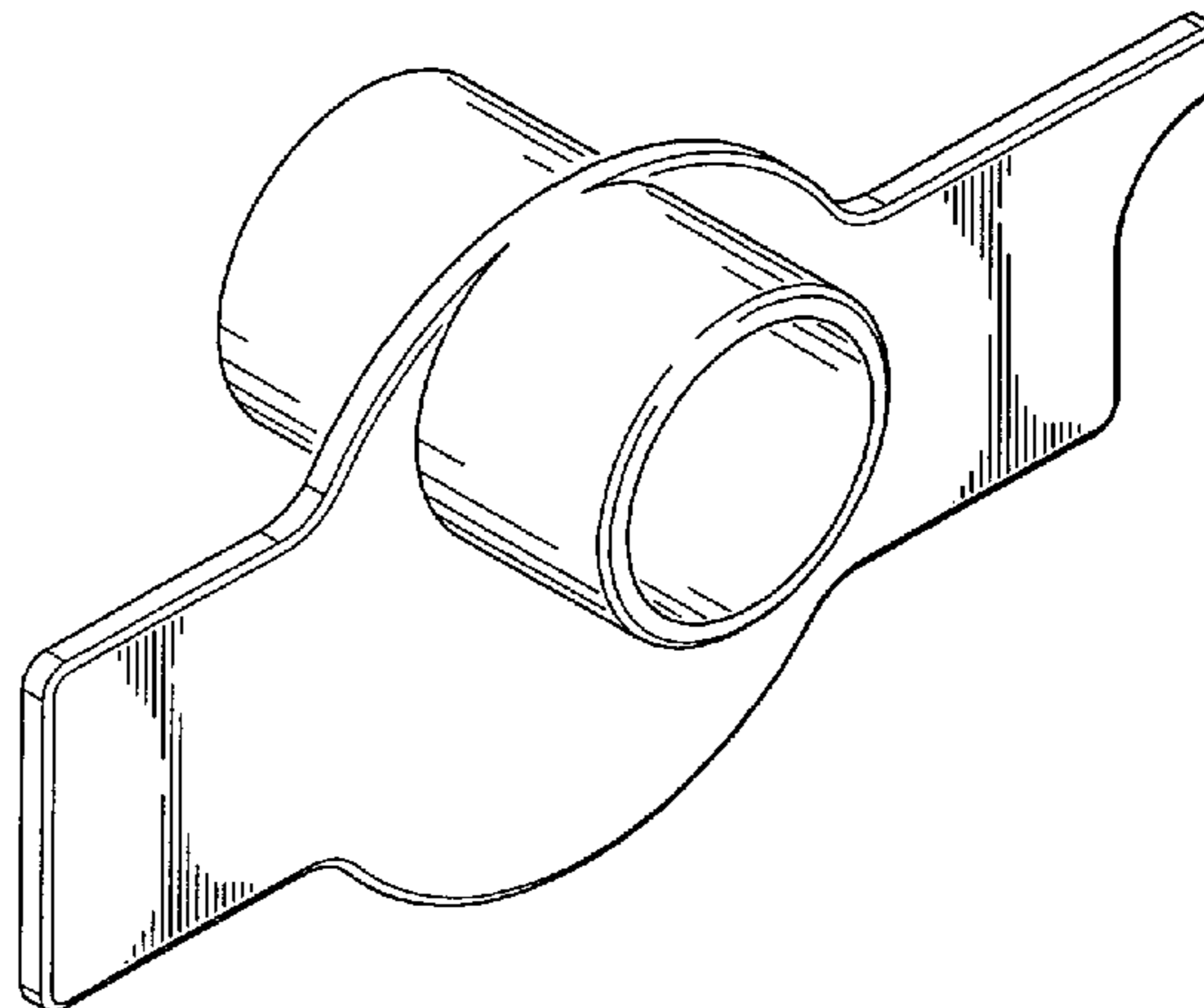
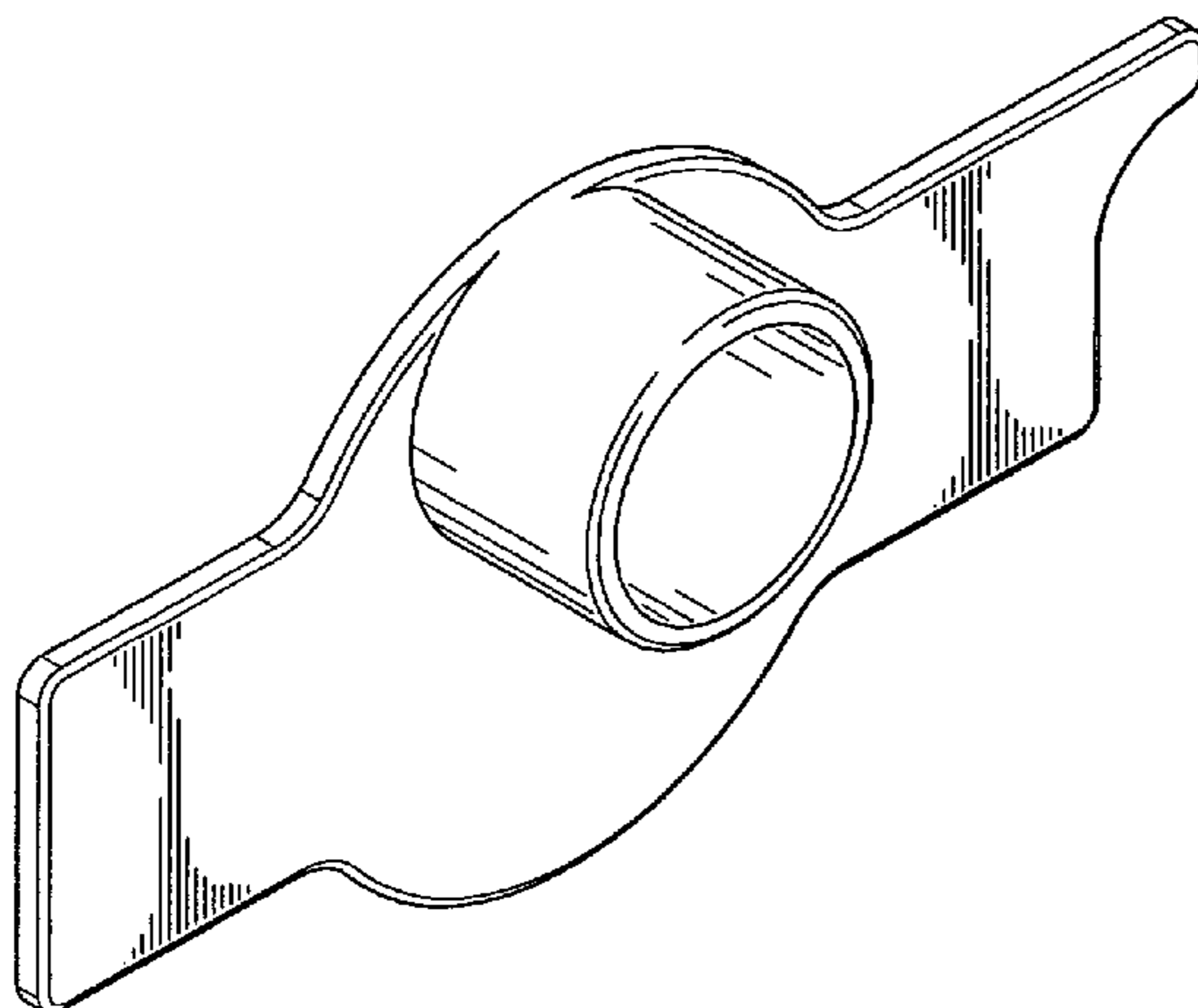
FIG. 5 is a rear view thereof;

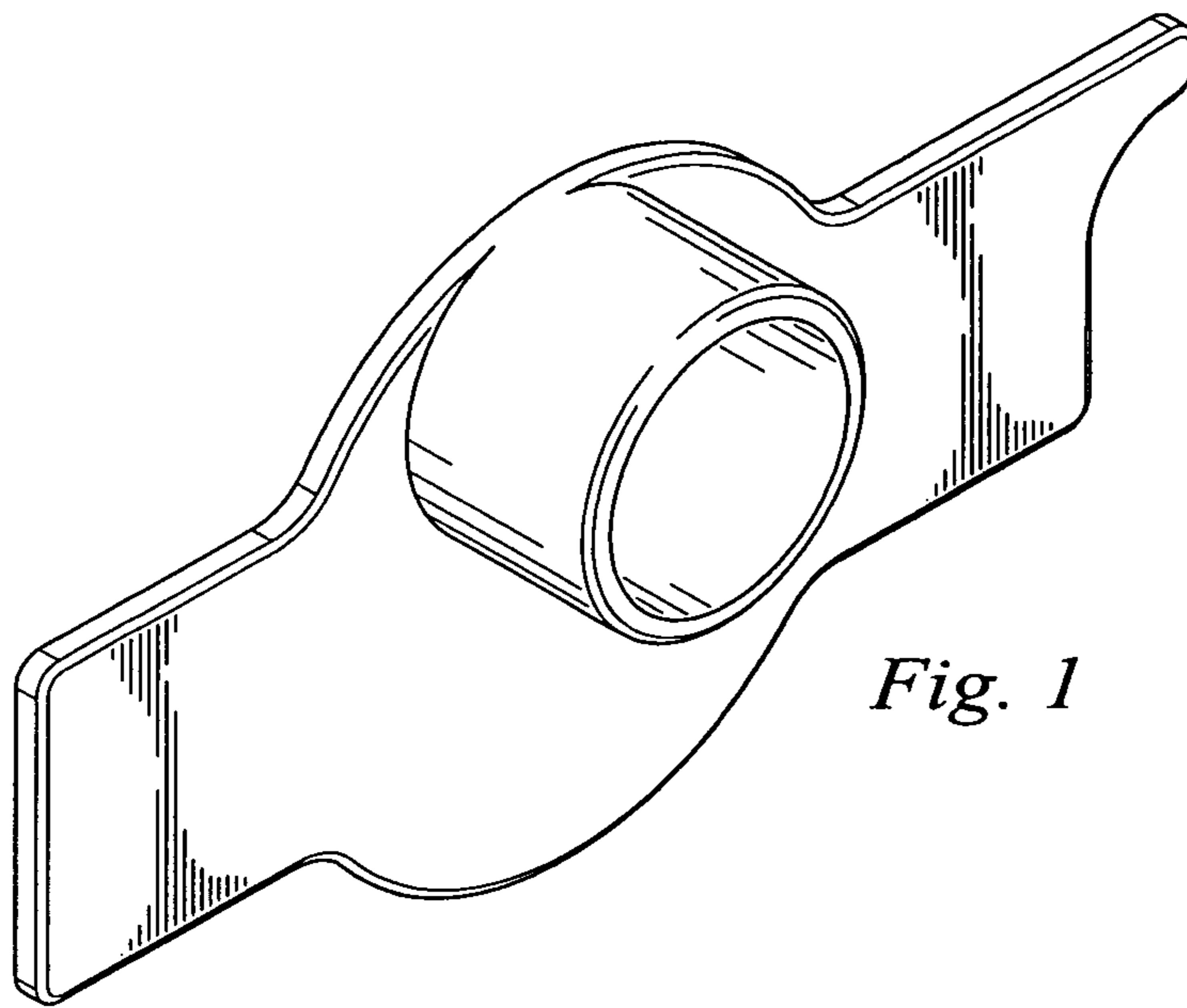
FIG. 6 is a top plan view thereof;

FIG. 7 is a bottom plan view thereof; and,

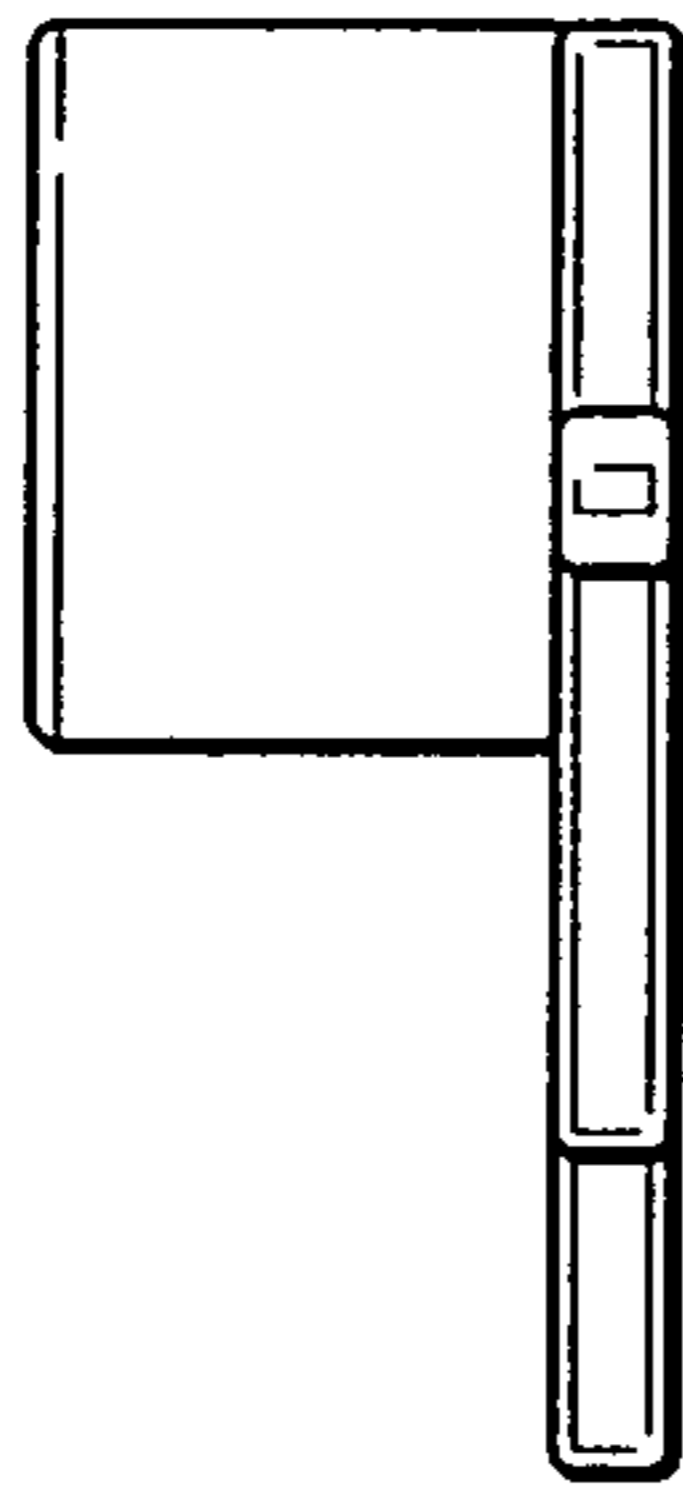
FIG. 8 is a perspective view of a second embodiment of the divider showing our new design.

**1 Claim, 2 Drawing Sheets**

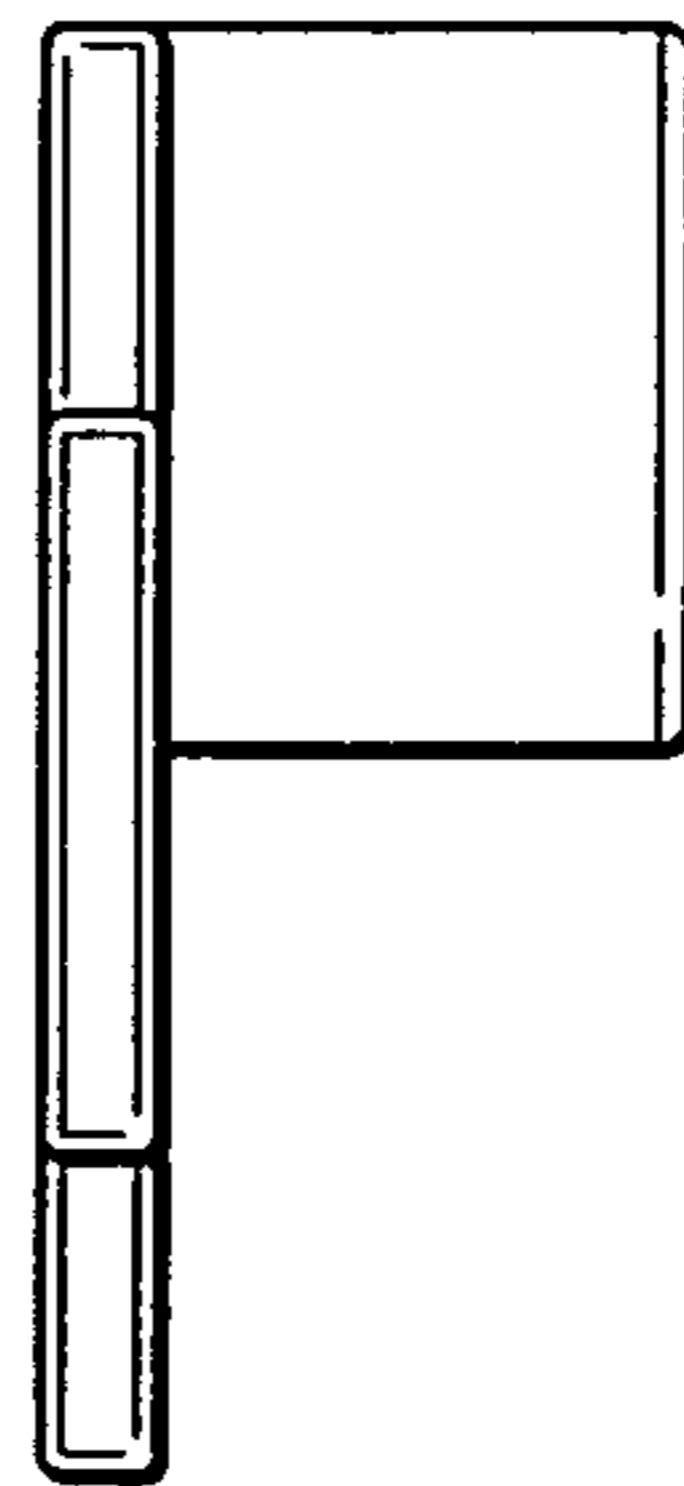




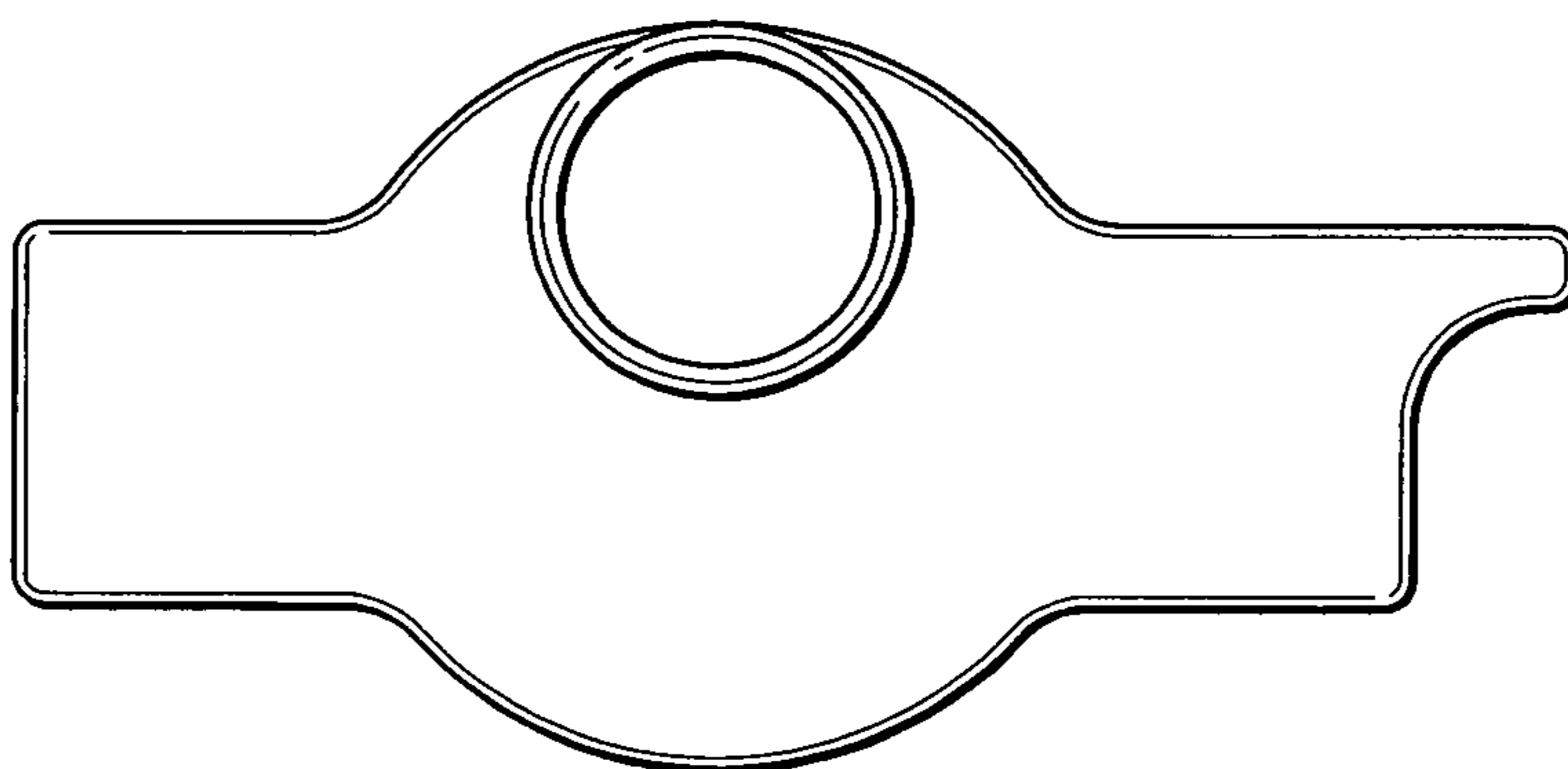
*Fig. 1*



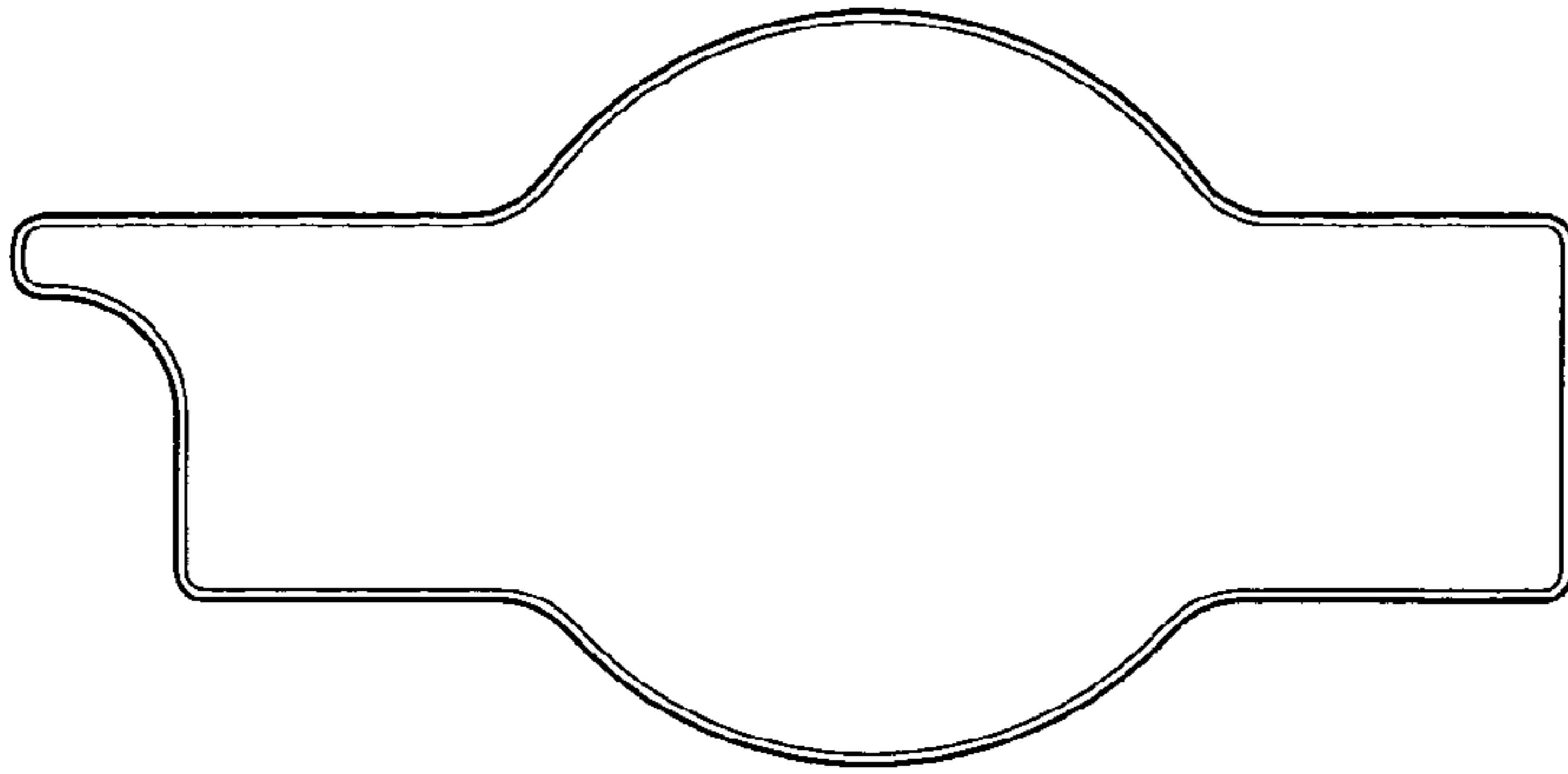
*Fig. 2*



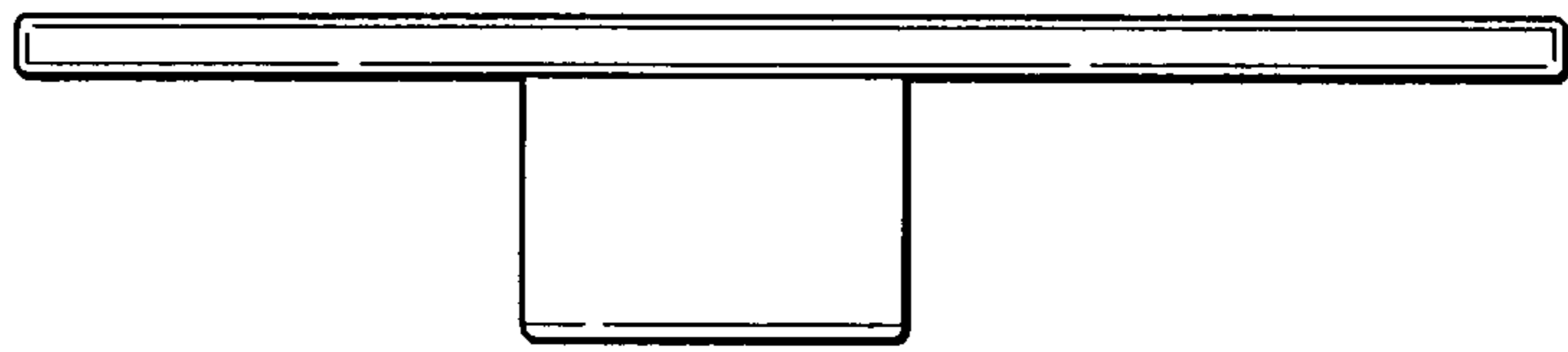
*Fig. 3*



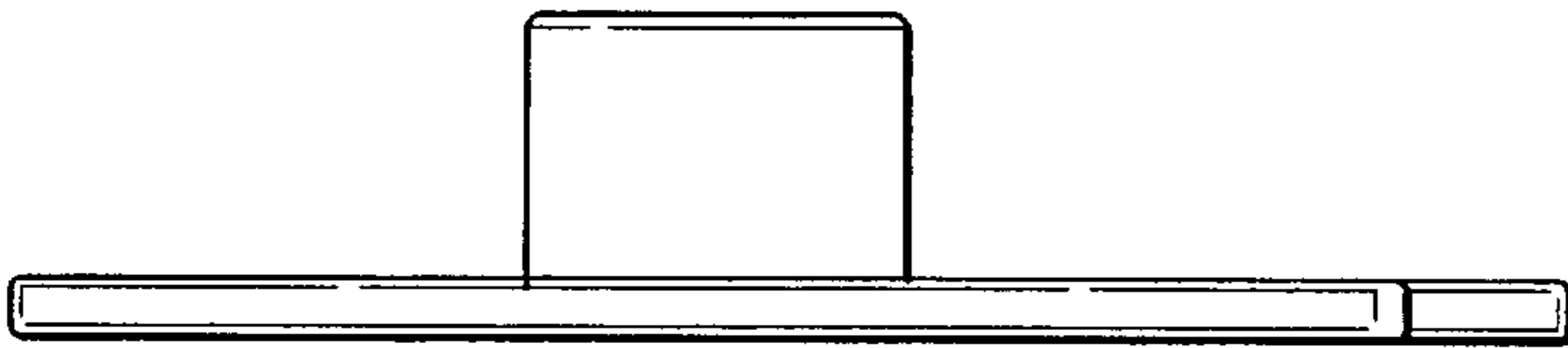
*Fig. 4*



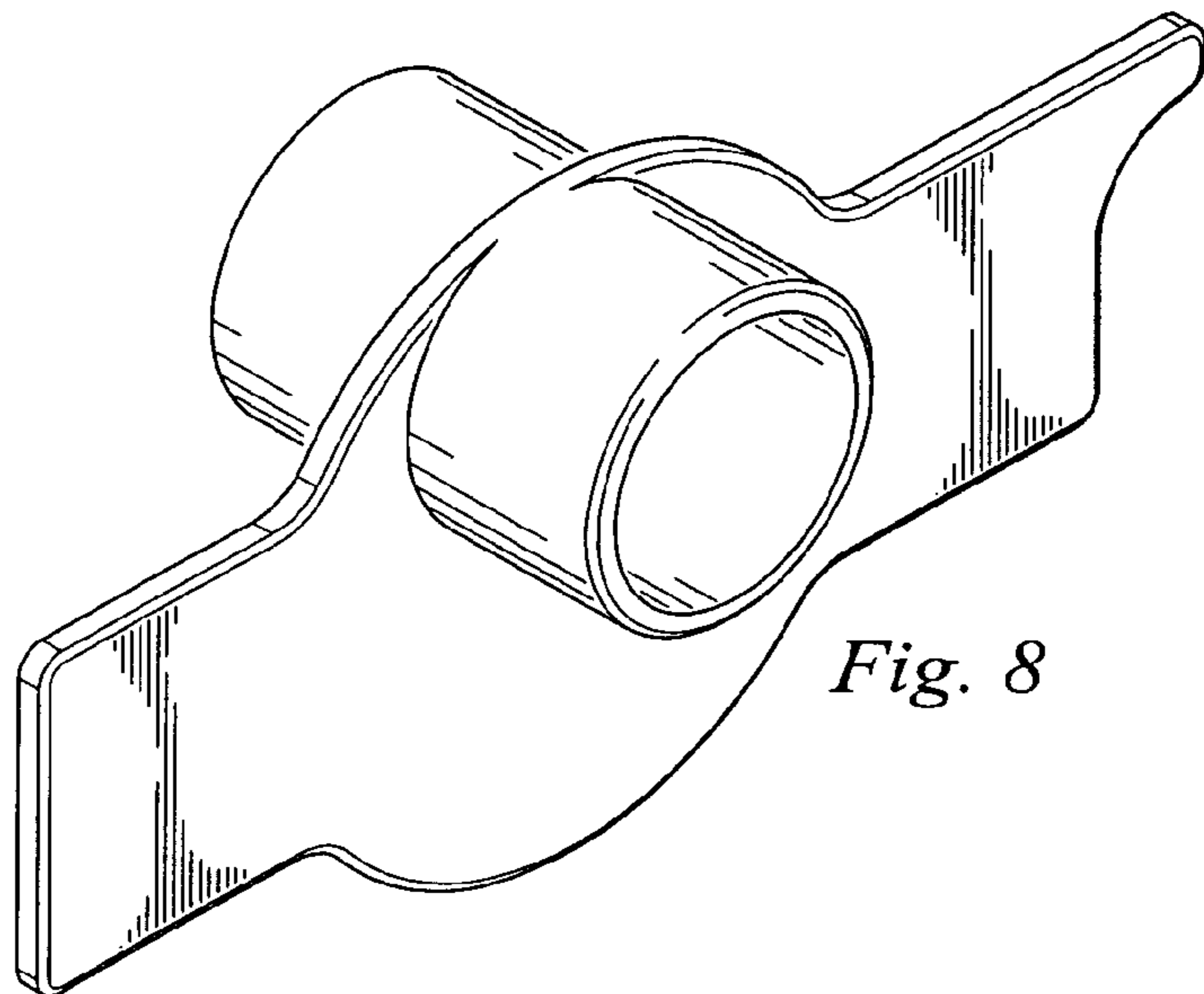
*Fig. 5*



*Fig. 6*



*Fig. 7*



*Fig. 8*