

US00D568046S

(12) **United States Design Patent**
Hsu

(10) **Patent No.:** **US D568,046 S**

(45) **Date of Patent:** **** May 6, 2008**

(54) **TOOL BOX**

7,059,472 B2 * 6/2006 Lai 206/372
D529,716 S * 10/2006 Wang D3/282

(76) Inventor: **Ming-Chi Chang Hsu**, 235 Chung-Ho
Box 8-24, Taipei (TW)

* cited by examiner

(**) Term: **14 Years**

Primary Examiner—Philip S. Hyder
Assistant Examiner—R. L. [Ulm] Cody

(21) Appl. No.: **29/270,636**

(22) Filed: **Dec. 29, 2006**

(57) **CLAIM**

The ornamental design for a tool box, as shown and described.

(51) **LOC (8) Cl.** **03-01**

(52) **U.S. Cl.** **D3/282; D3/905**

(58) **Field of Classification Search** D3/201,
D3/203.2, 203.6–203.8, 273, 276, 282, 294,
D3/905; 206/349, 372–373, 376, 379
See application file for complete search history.

DESCRIPTION

FIG. 1 is a perspective view of a tool box showing my new design;

FIG. 2 is a front elevational view thereof;

FIG. 3 is a rear elevational view thereof;

FIG. 4 is a left side view thereof;

FIG. 5 is a right side view thereof;

FIG. 6 is a top plan view thereof; and,

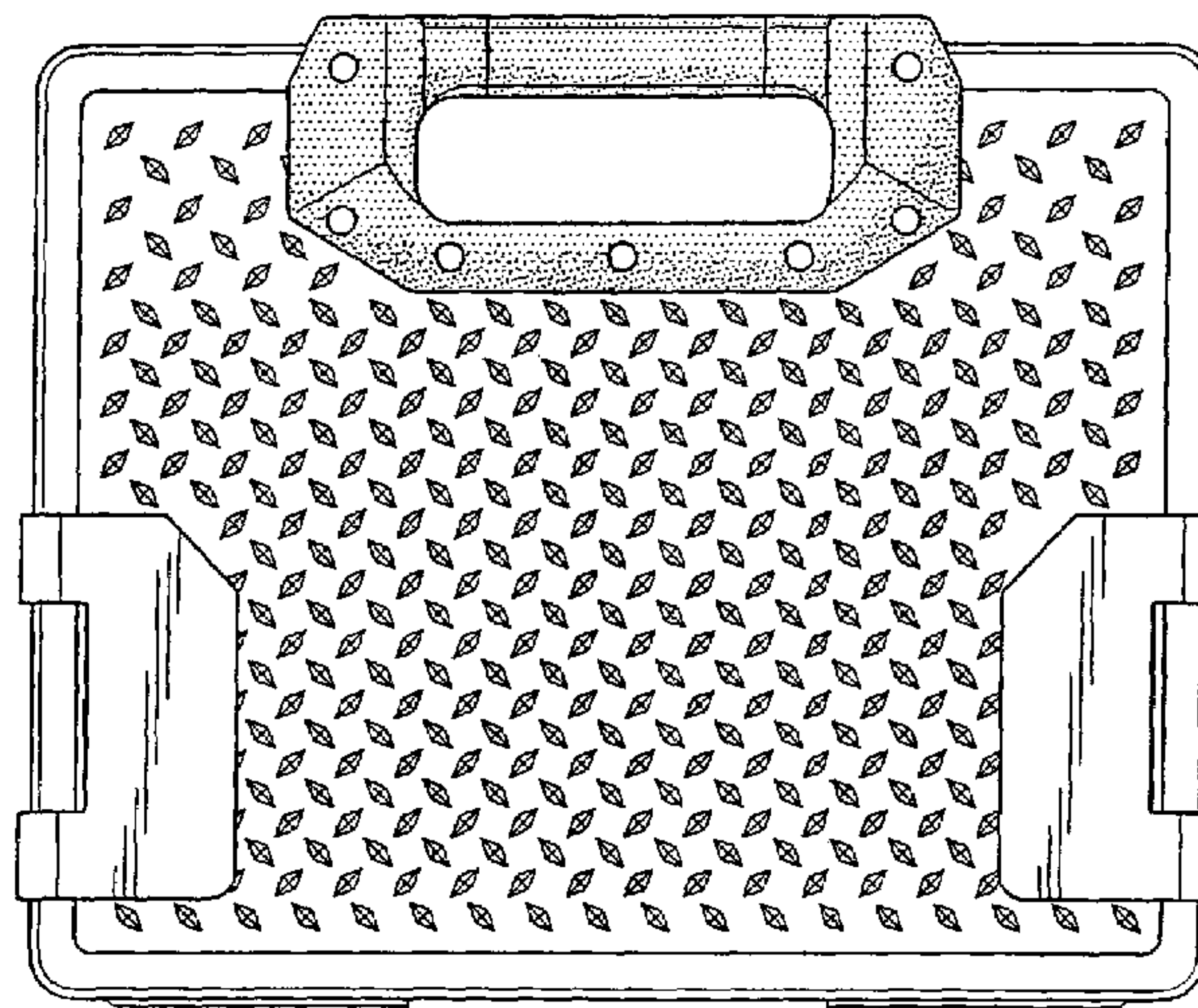
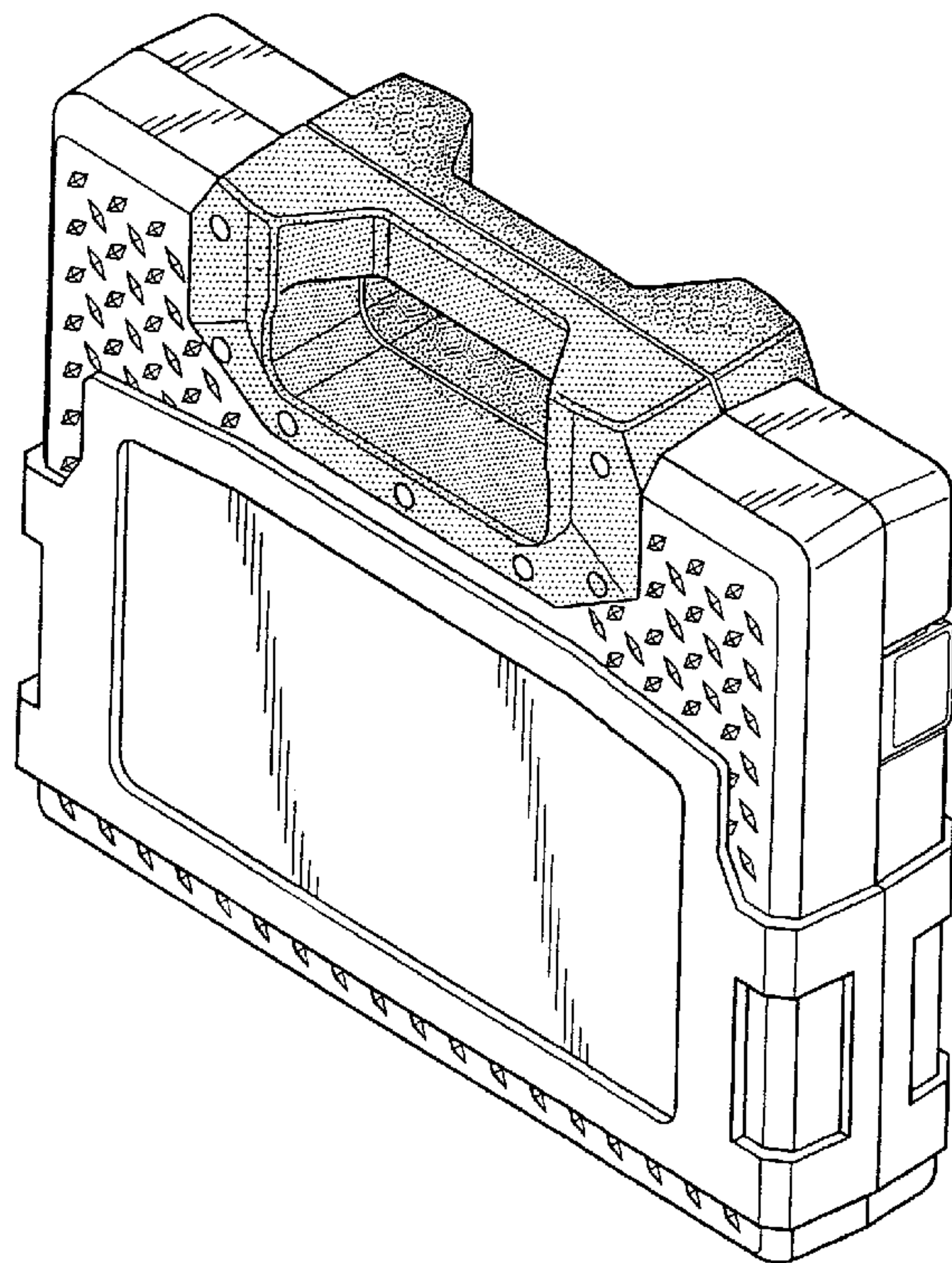
FIG. 7 is a bottom plan view thereof.

(56) **References Cited**

U.S. PATENT DOCUMENTS

5,685,451 A * 11/1997 Newby, Sr. 220/675
D440,043 S * 4/2001 Miller et al. D3/282
6,415,924 B1 * 7/2002 Lee 206/459.5
D478,209 S * 8/2003 Chen D3/282
D516,311 S * 3/2006 Lai D3/282
D523,635 S * 6/2006 Chen D3/282

1 Claim, 5 Drawing Sheets



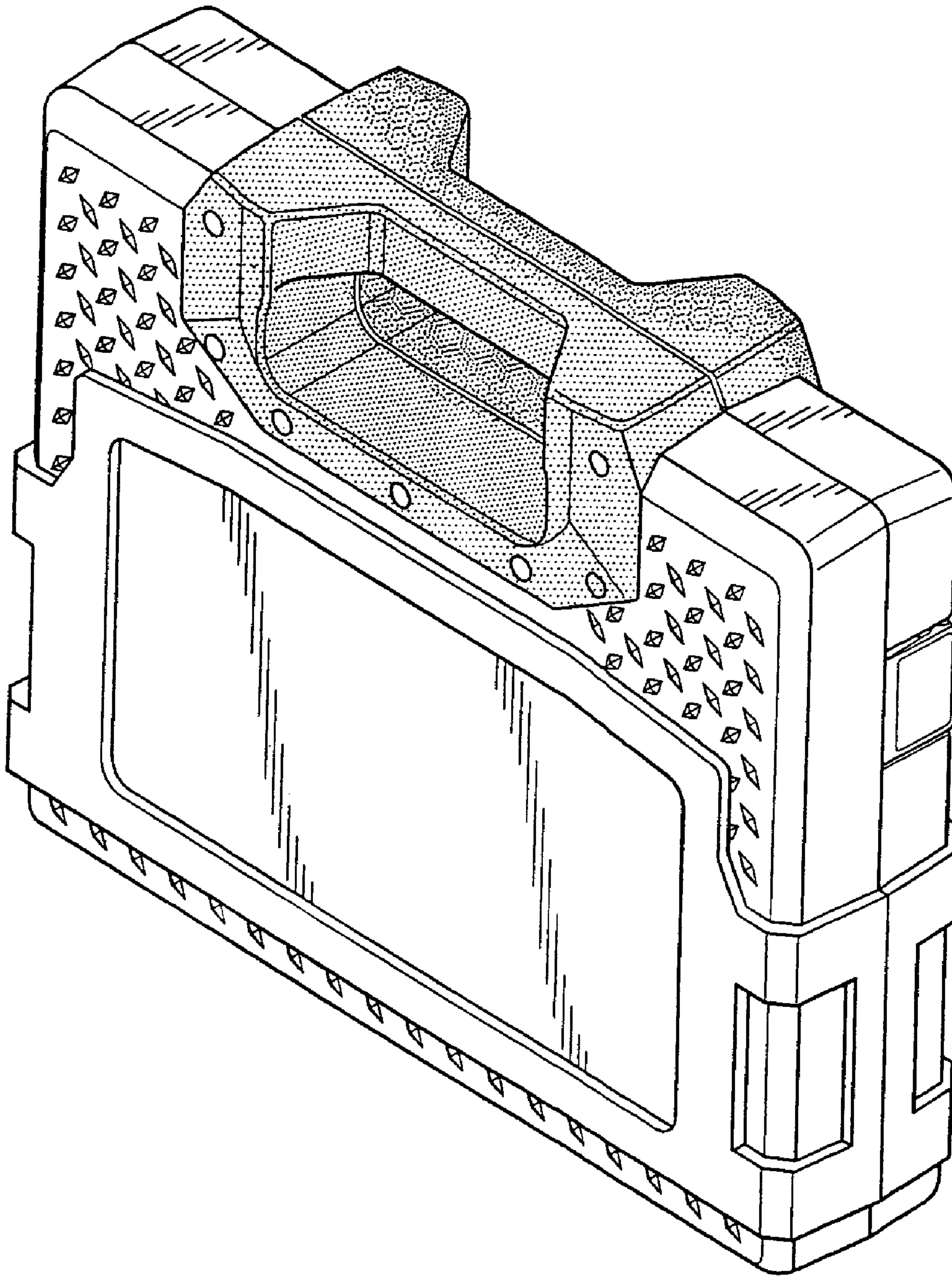


FIG. 1

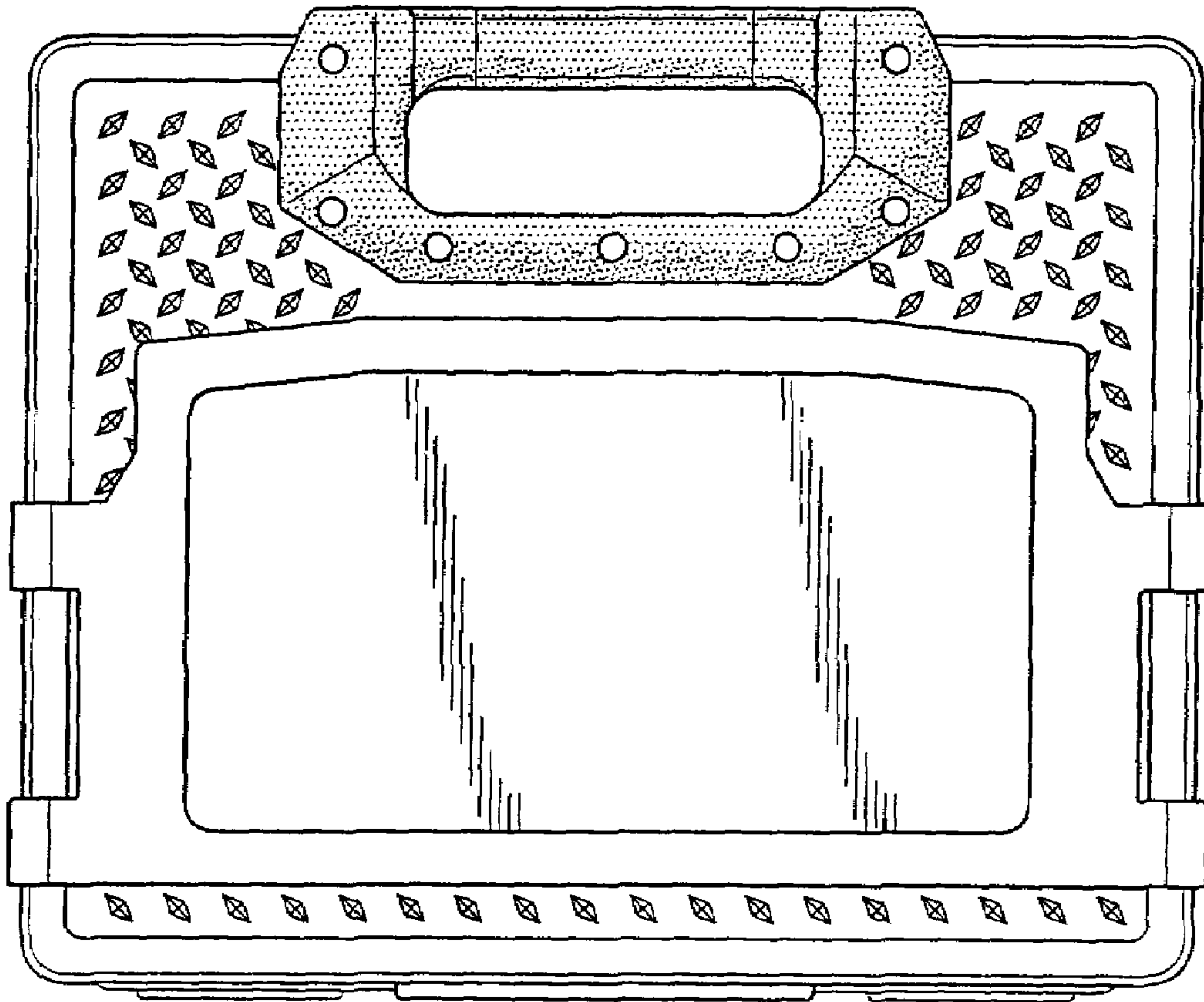


FIG. 2

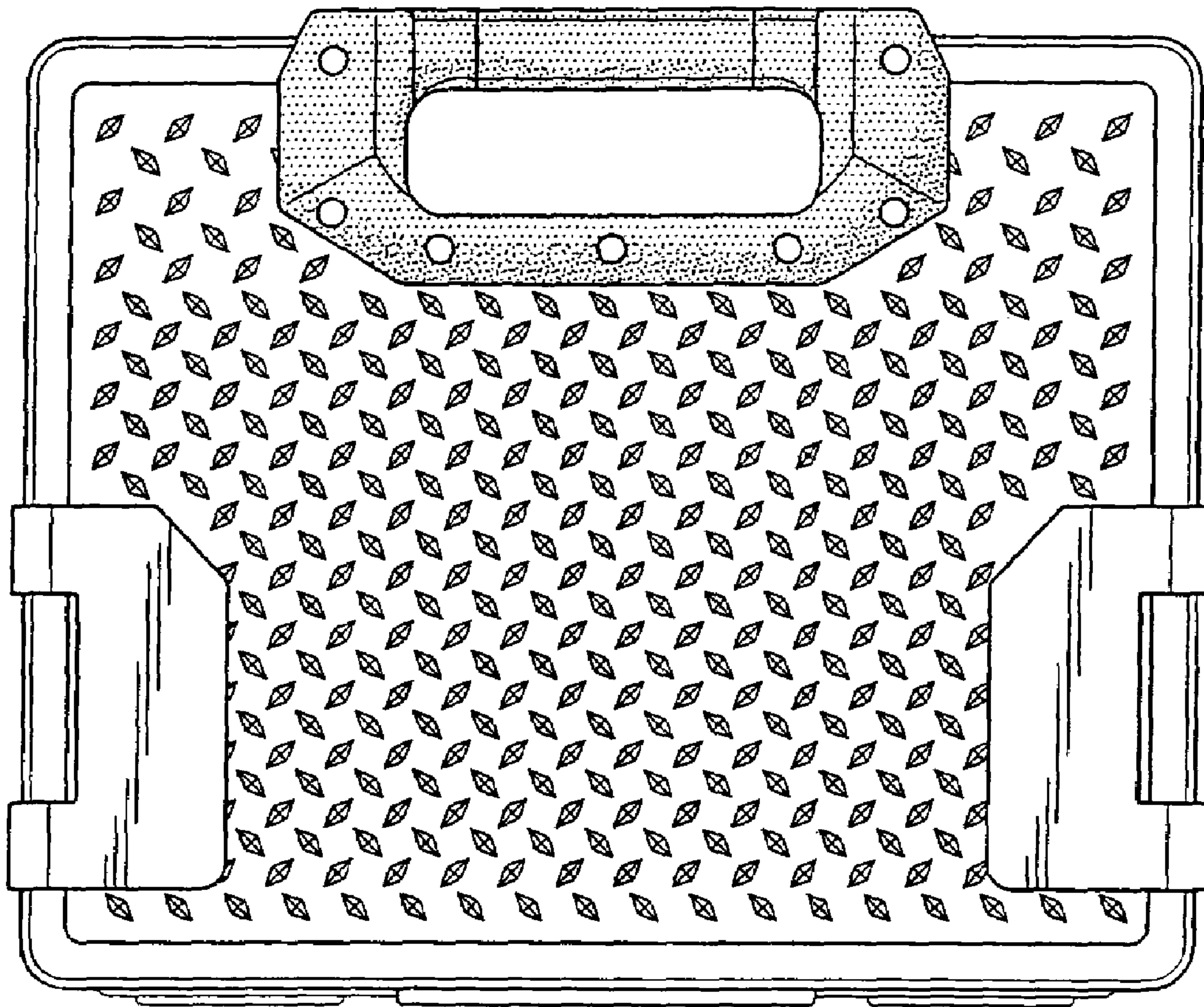


FIG. 3

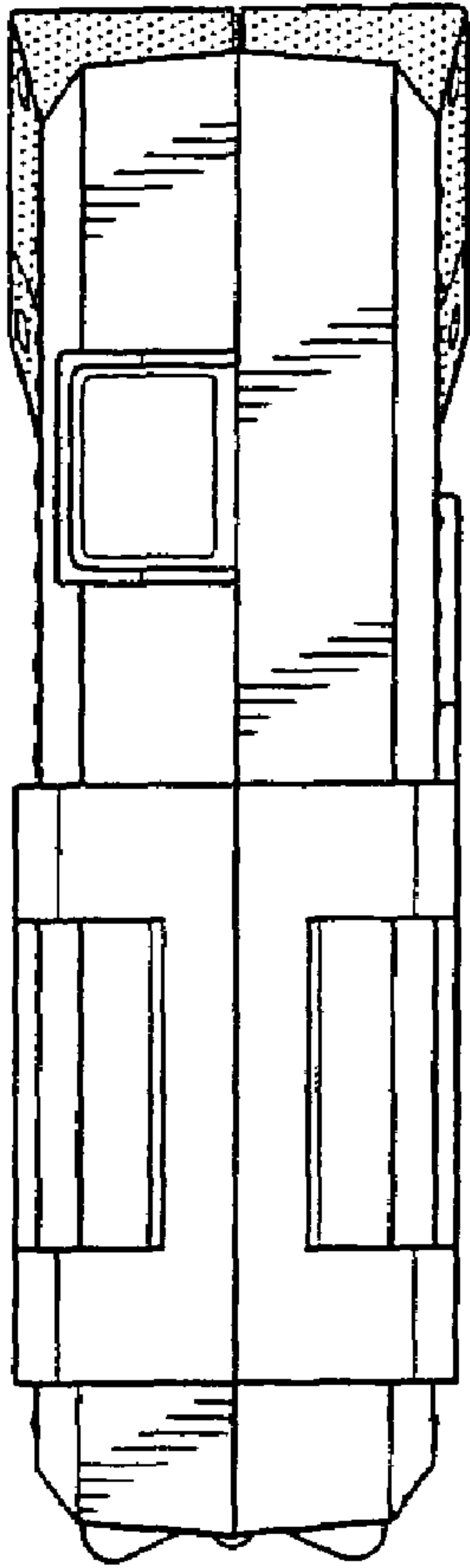


FIG. 4

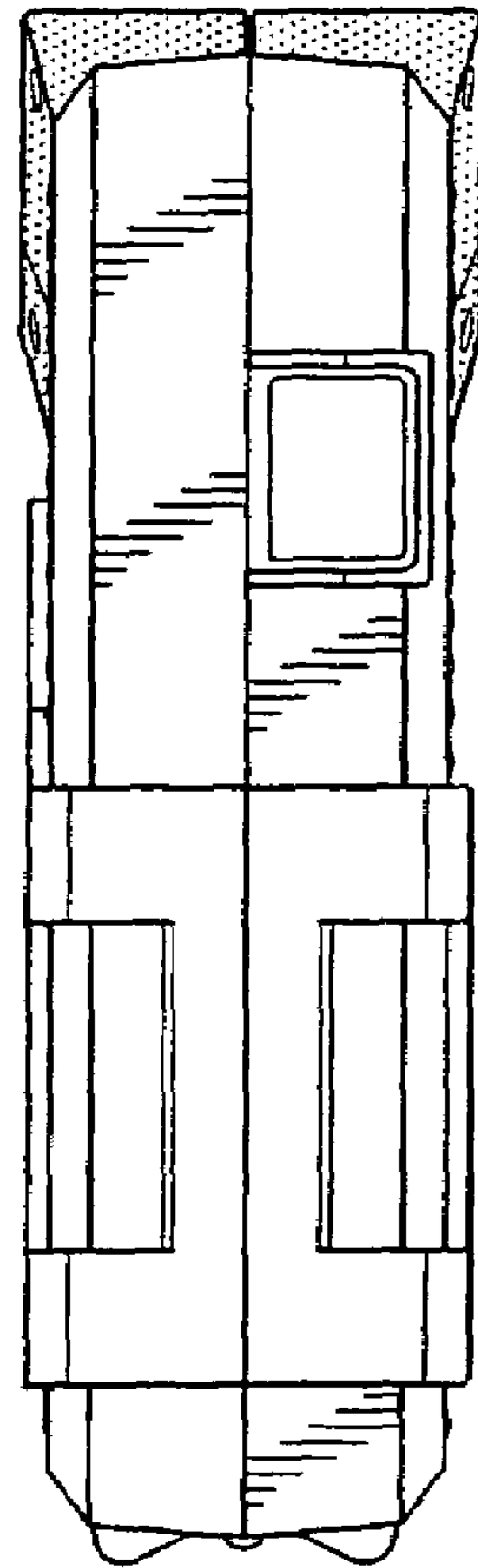


FIG. 5

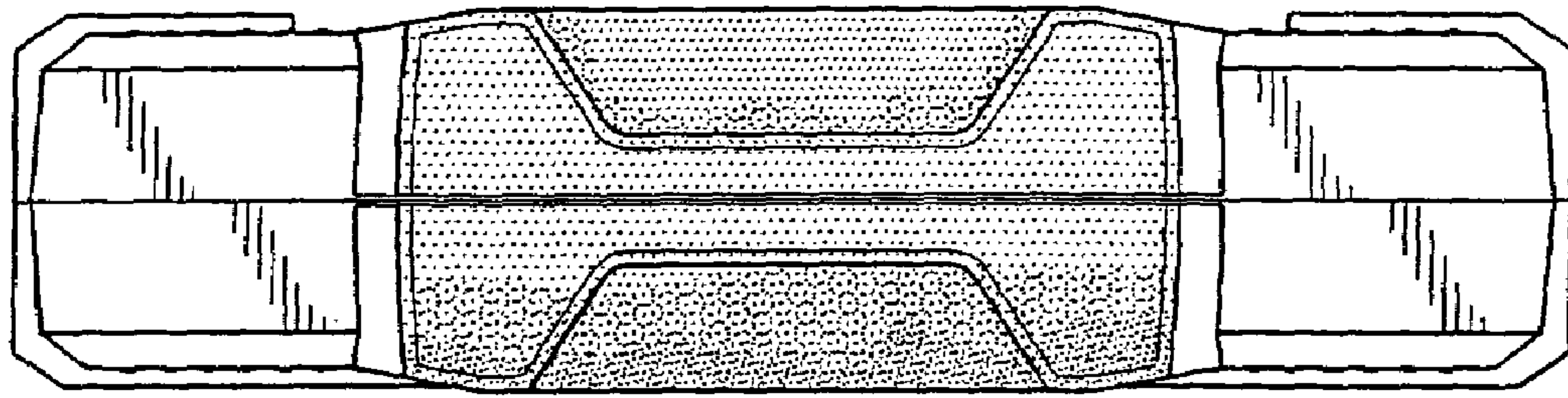


FIG. 6

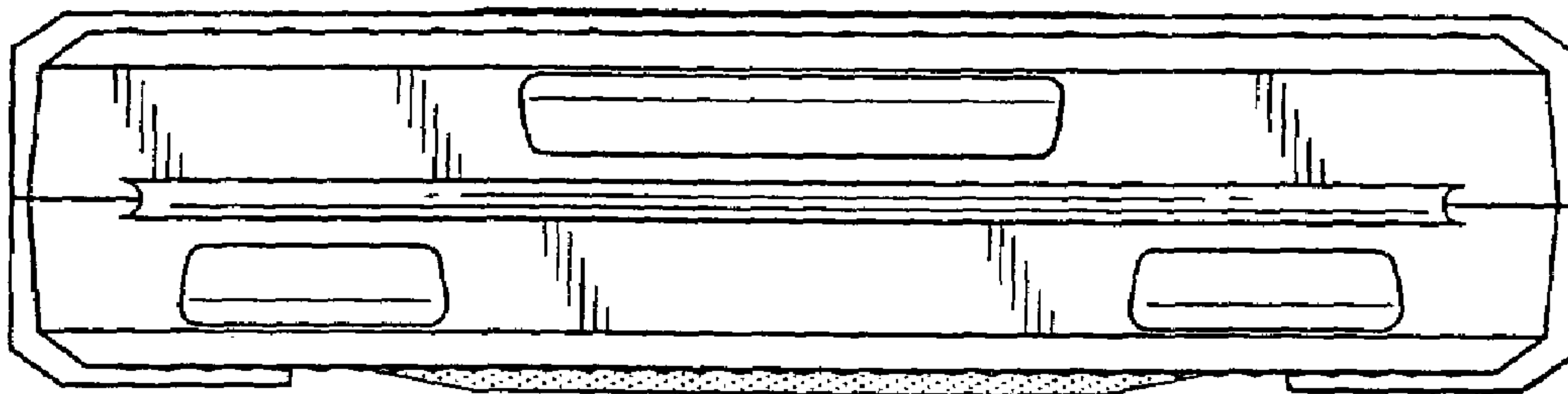


FIG. 7

UNITED STATES PATENT AND TRADEMARK OFFICE
CERTIFICATE OF CORRECTION

PATENT NO. : Des. 568,046 S
APPLICATION NO. : 29/270636
DATED : May 6, 2008
INVENTOR(S) : Chang Ming-Chi

Page 1 of 1

It is certified that error appears in the above-identified patent and that said Letters Patent is hereby corrected as shown below:

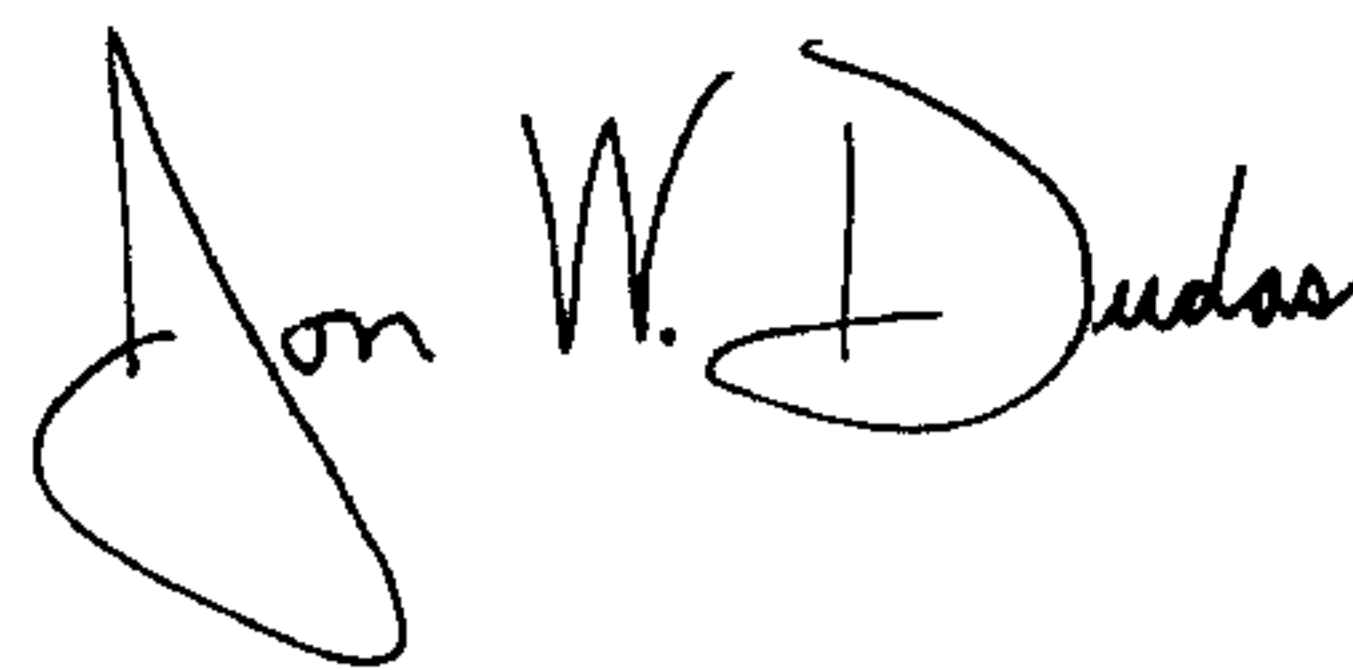
Title page

Under the title (12) United States Design Patent, change "HSU" to --CHANG--

In (76) Inventor, delete "Hsu"

Signed and Sealed this

Sixteenth Day of December, 2008

A handwritten signature in black ink that reads "Jon W. Dudas". The signature is written in a cursive style with a large, looped initial "J".

JON W. DUDAS

Director of the United States Patent and Trademark Office