

US00D568041S

(12) **United States Design Patent** (10) **Patent No.:** **US D568,041 S**
Clements (45) **Date of Patent:** **** May 6, 2008**

(54) **ADJUSTABLE BAG FOR TRANSPORTING FLUID APPARATUS**

(57) **CLAIM**

(76) Inventor: **Michael Clements**, 2456 Malachite Ct., Chino Hills, CA (US) 91709

I claim the ornamental design for an adjustable bag for transporting fluid apparatus, substantially as shown and described.

(**) Term: **14 Years**

DESCRIPTION

(21) Appl. No.: **29/292,849**

FIG. 1 is a front elevational view of the adjustable bag for transporting a fluid apparatus showing my new design;

(22) Filed: **Oct. 30, 2007**

FIG. 2 is rear elevational view thereof;

(51) **LOC (8) Cl.** **09-02**

(52) **U.S. Cl.** **D3/202**

(58) **Field of Classification Search** D3/202,
D3/201, 229, 231-233; D9/453, 305, 707-708,
D9/306; D24/207, 129, 118; 224/148.1-148.6;
222/175; D12/409

FIG. 3 is a right front view thereof;

FIG. 4 is a right front view of the adjustable bag depicting the right side partially opened and the front pocket partially opened;

See application file for complete search history.

FIG. 5 is a right front view of the adjustable bag depicting the right side fully opened and housed within the adjustable bag is a fluid apparatus, the dotted lines forming no portion of the design;

(56) **References Cited**

U.S. PATENT DOCUMENTS

- D367,034 S * 2/1996 Berman D12/409
- 5,755,368 A * 5/1998 Bekkedahl 224/148.2
- D539,028 S * 3/2007 Robins et al. D3/202
- D539,524 S * 4/2007 McKinney et al. D3/202

FIG. 6 is a front plan view of the adjustable bag depicted in a closed configuration and housing a fluid apparatus, the dotted lines forming no portion of the design;

FIG. 7 is an elevated front left view depicting the adjustable bag housing a fluid apparatus and hanging from an automobile seat post, the dotted lines forming no portion of the design;

* cited by examiner

Primary Examiner—Catherine R. Oliver

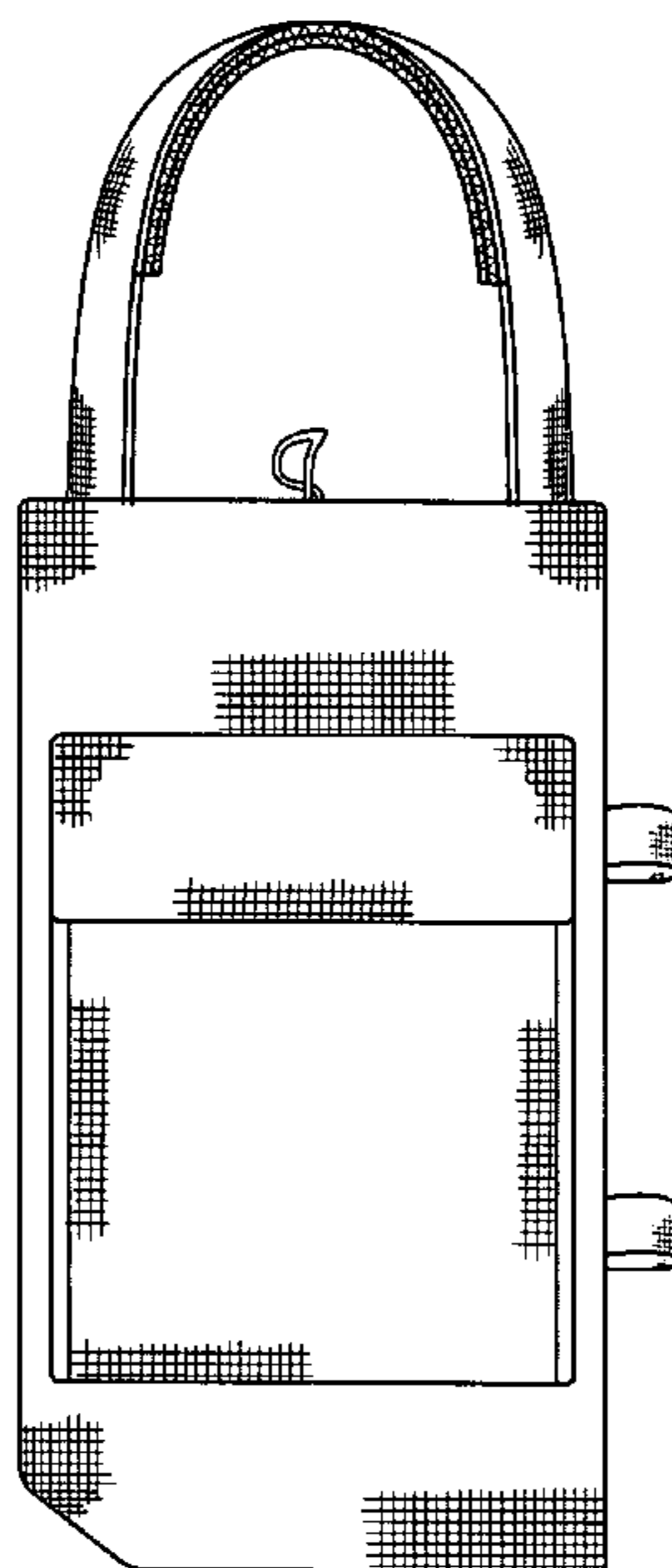
(74) *Attorney, Agent, or Firm*—Biotech Beach Law Group, PC; Raymond Wagenknecht

FIG. 8 is a rear elevational view of the adjustable bag depicting the side straps unattached and extending outward;

FIG. 9 is a front elevational view of the adjustable bag depicting the apparatus hanging from a bicycle, the dotted lines forming no part of the design; and,

FIG. 10 is a rear elevational view of the adjustable bag depicting the side straps attached to one another to form a handle.

1 Claim, 10 Drawing Sheets



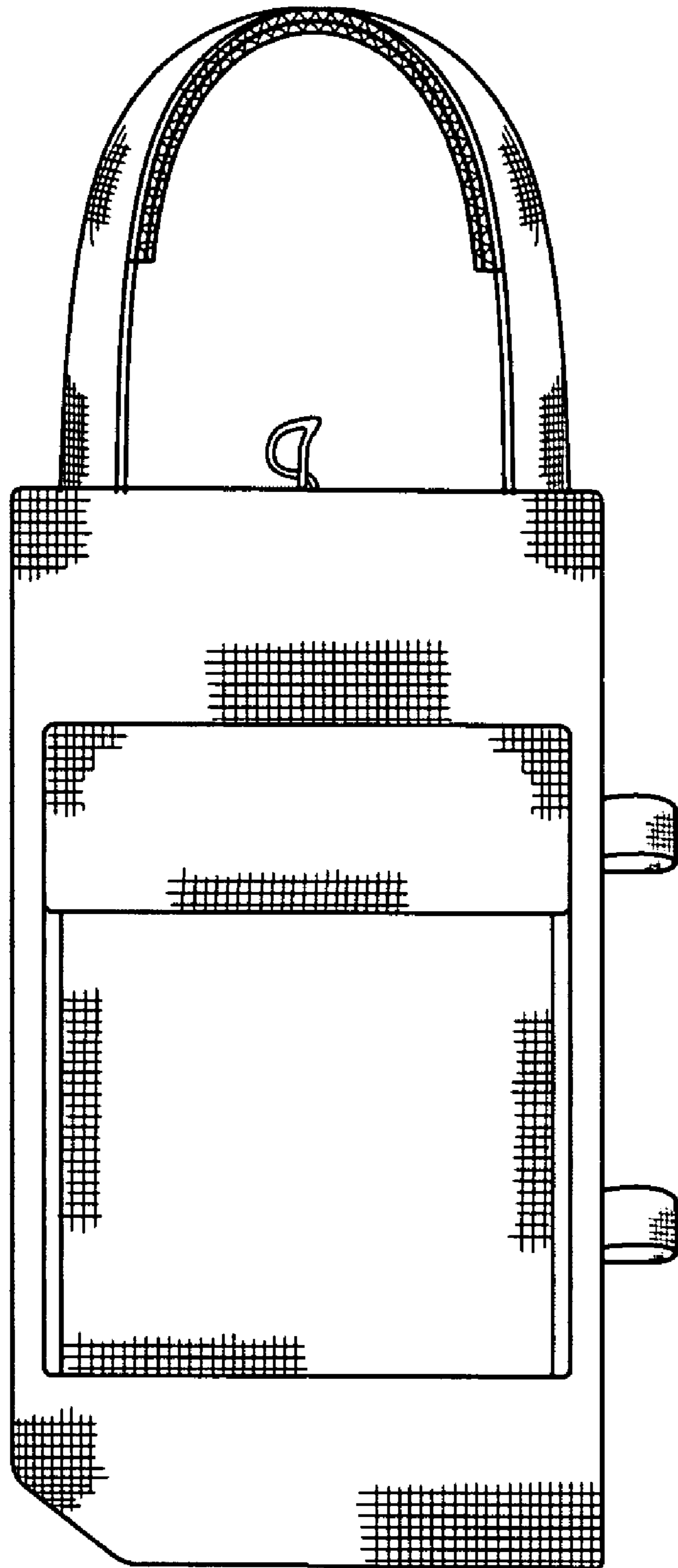


FIG. 1

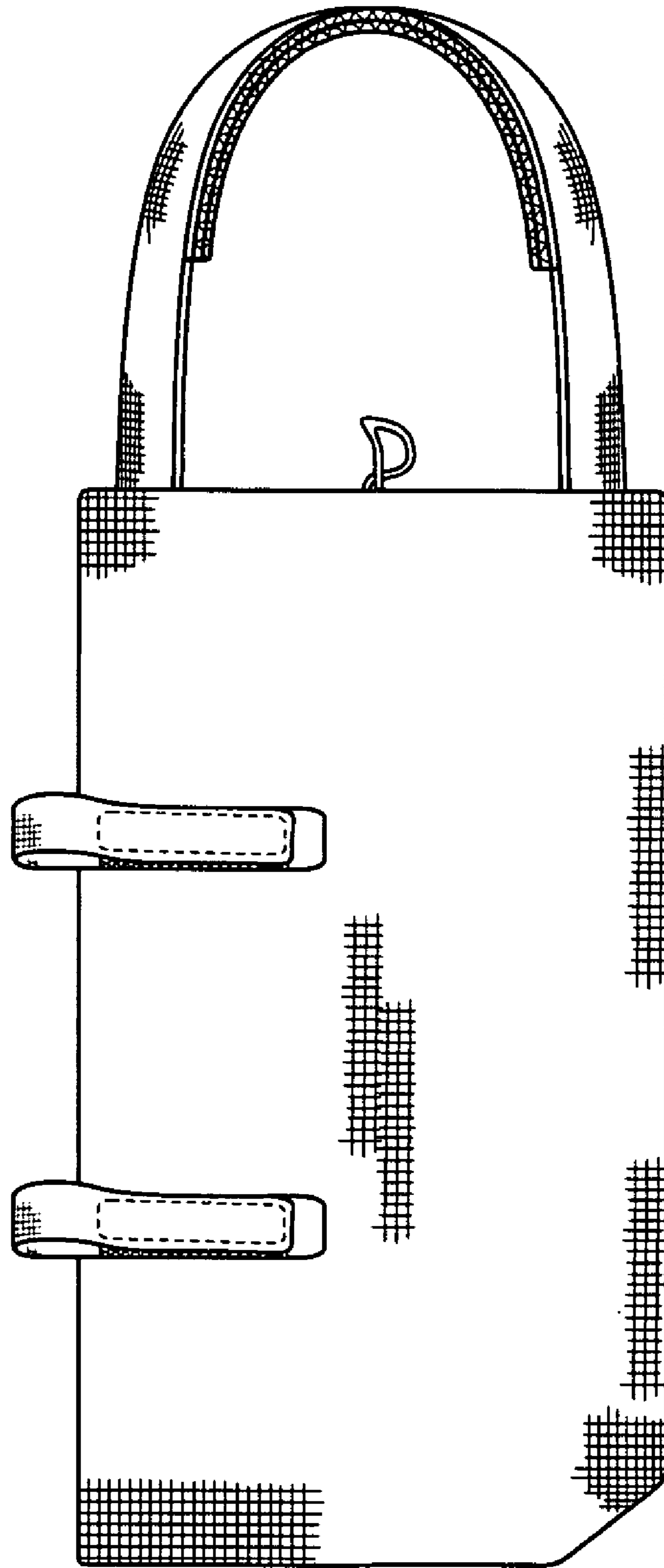


FIG. 2

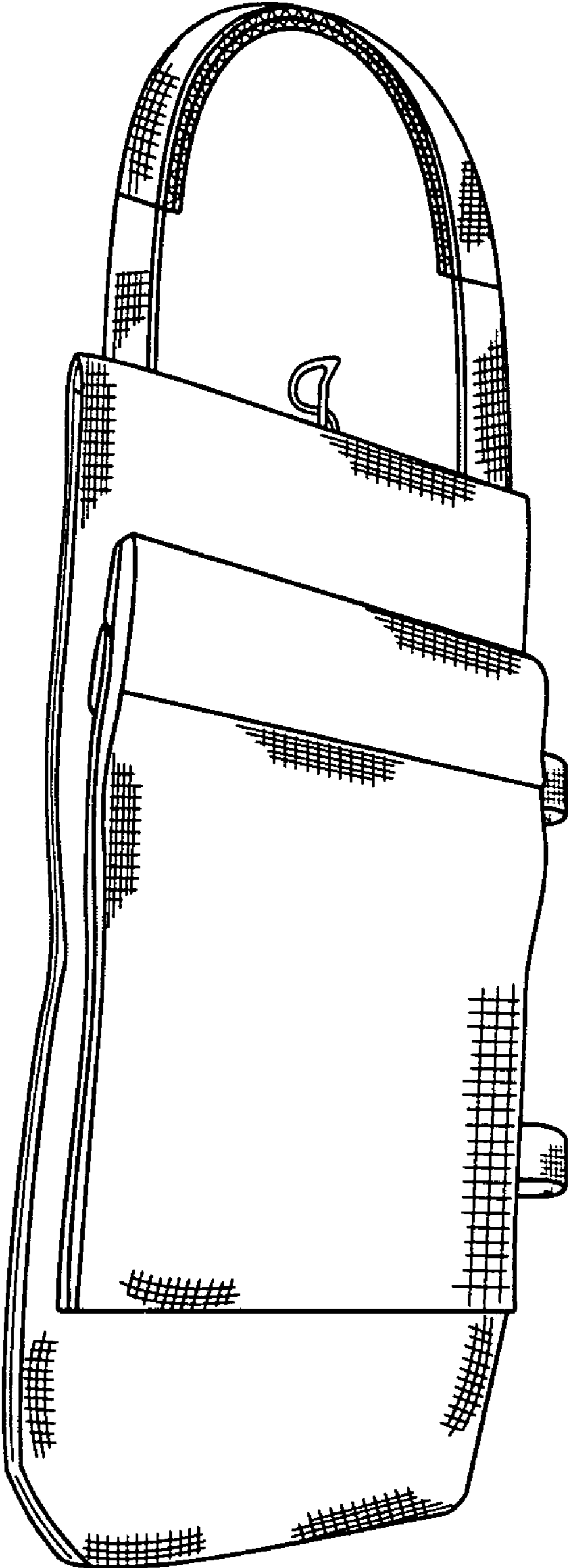


FIG. 3

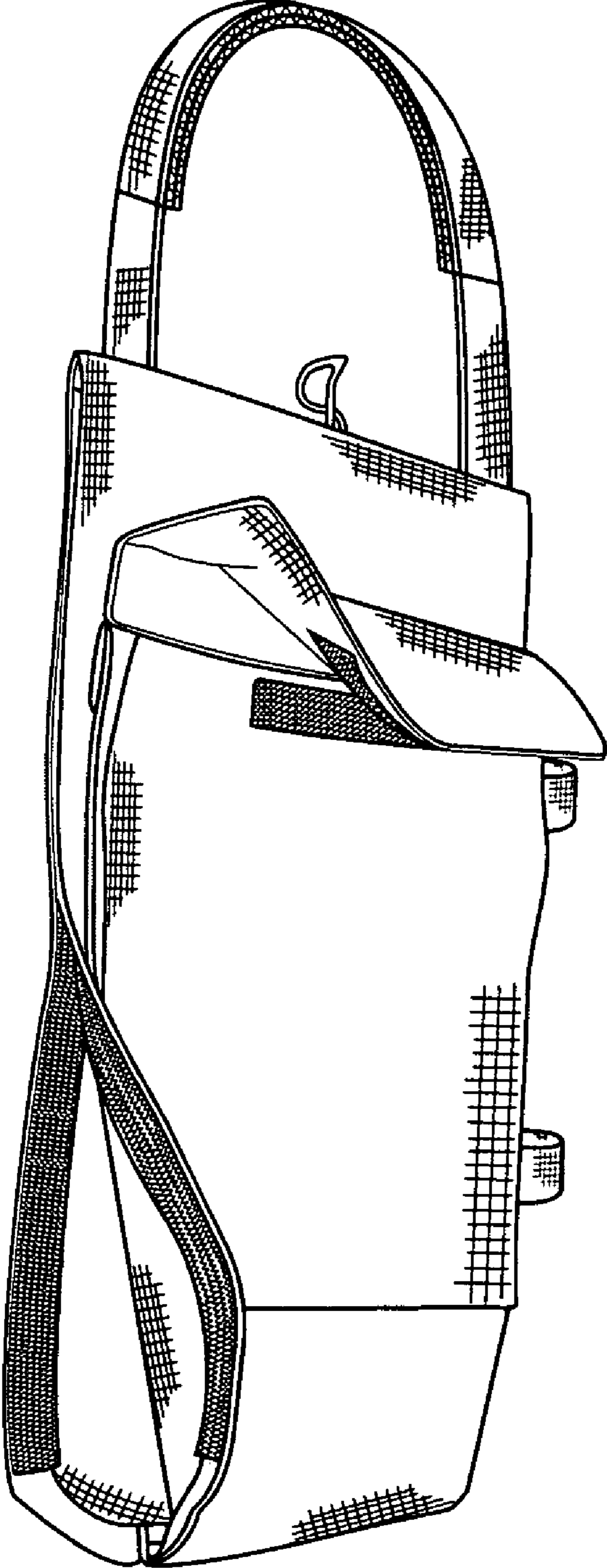


FIG. 4

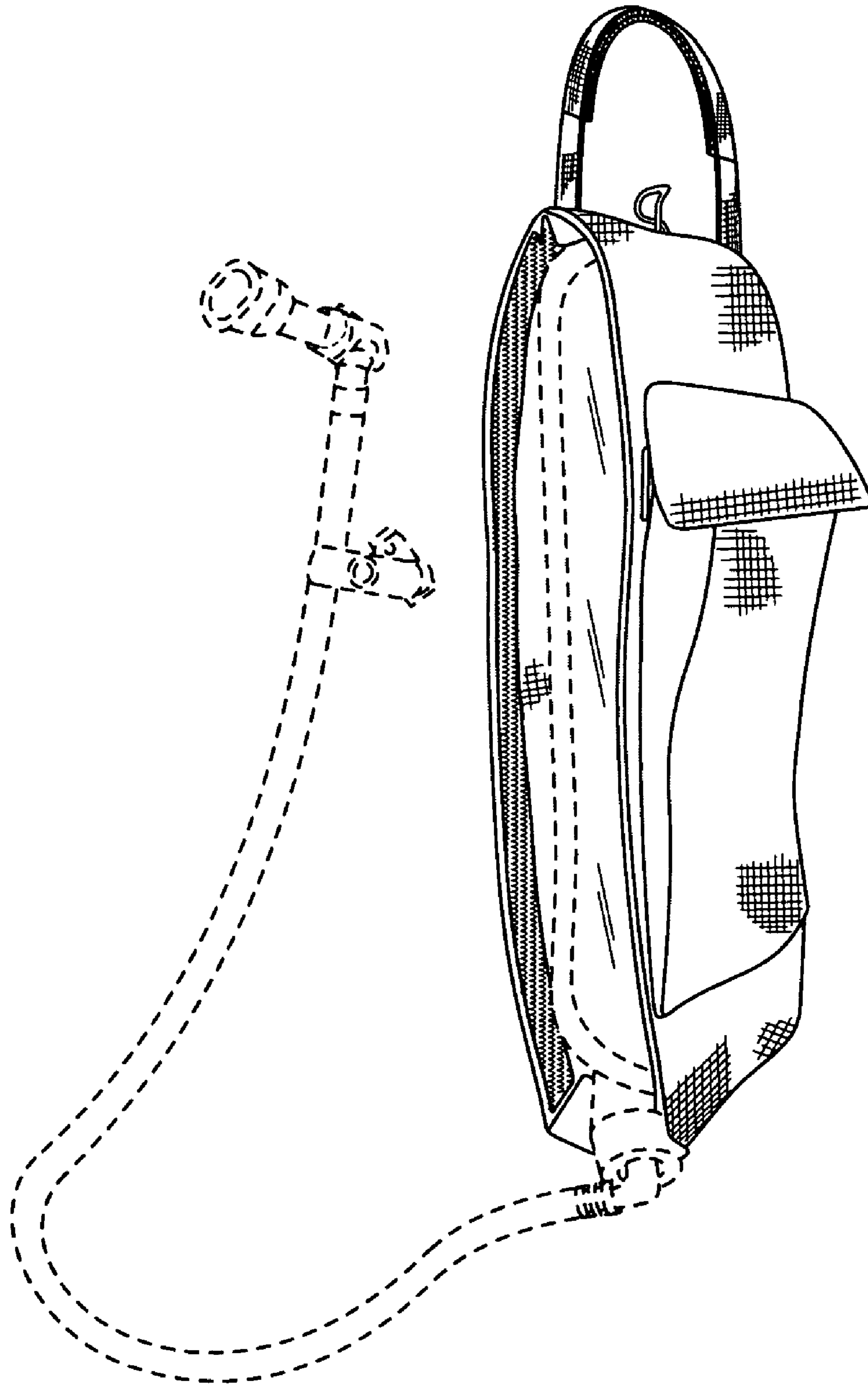


FIG. 5

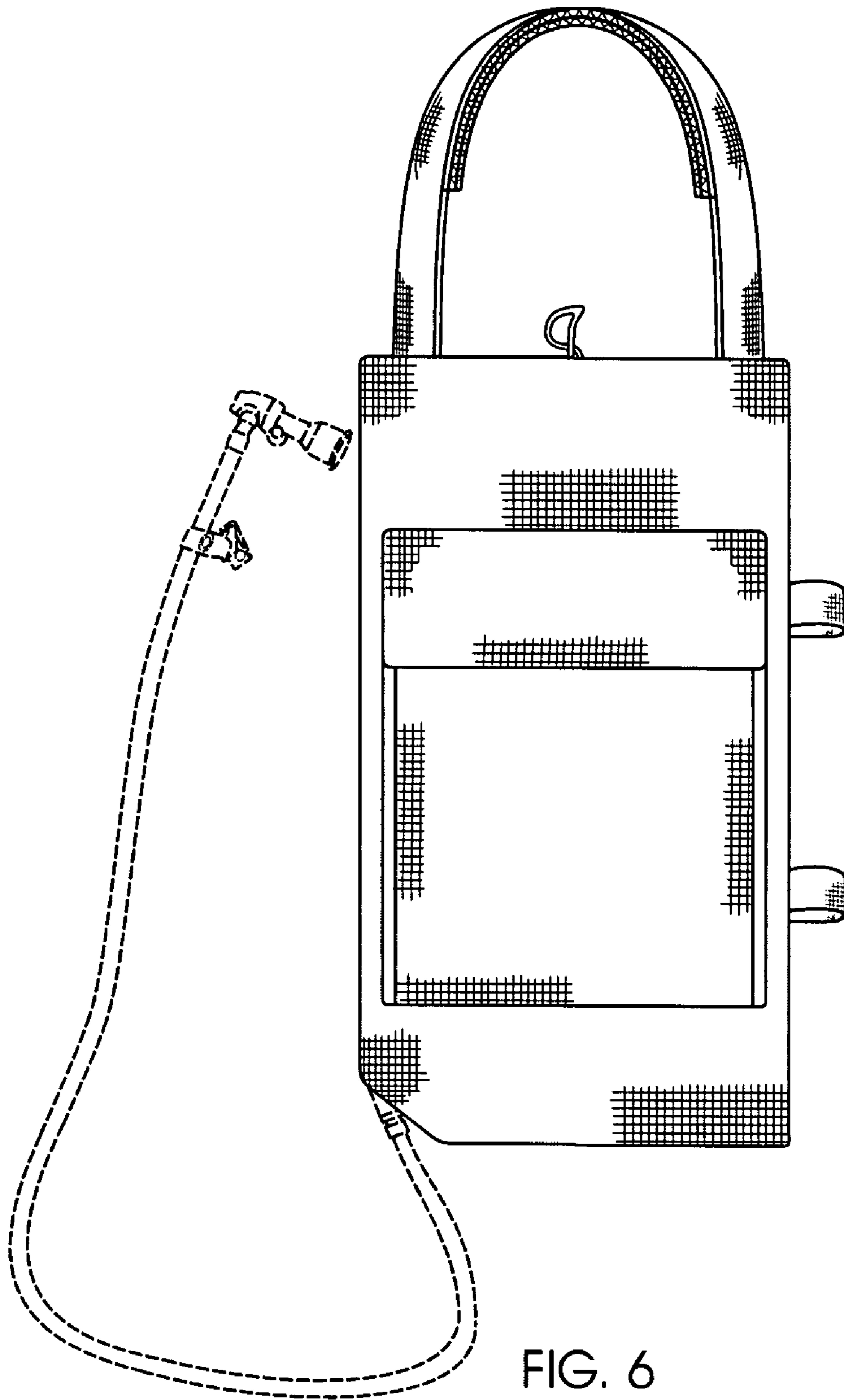


FIG. 6

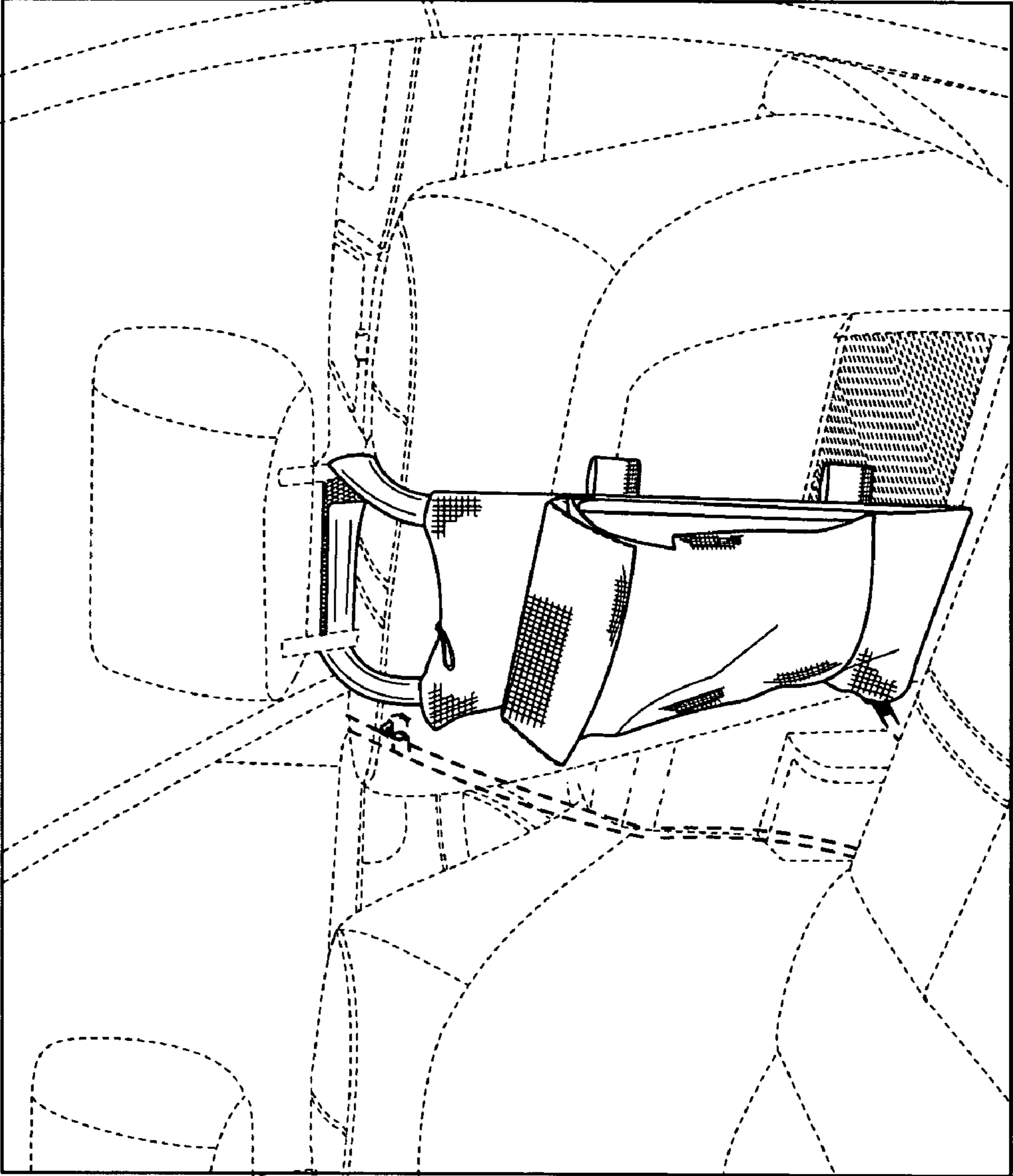


FIG. 7

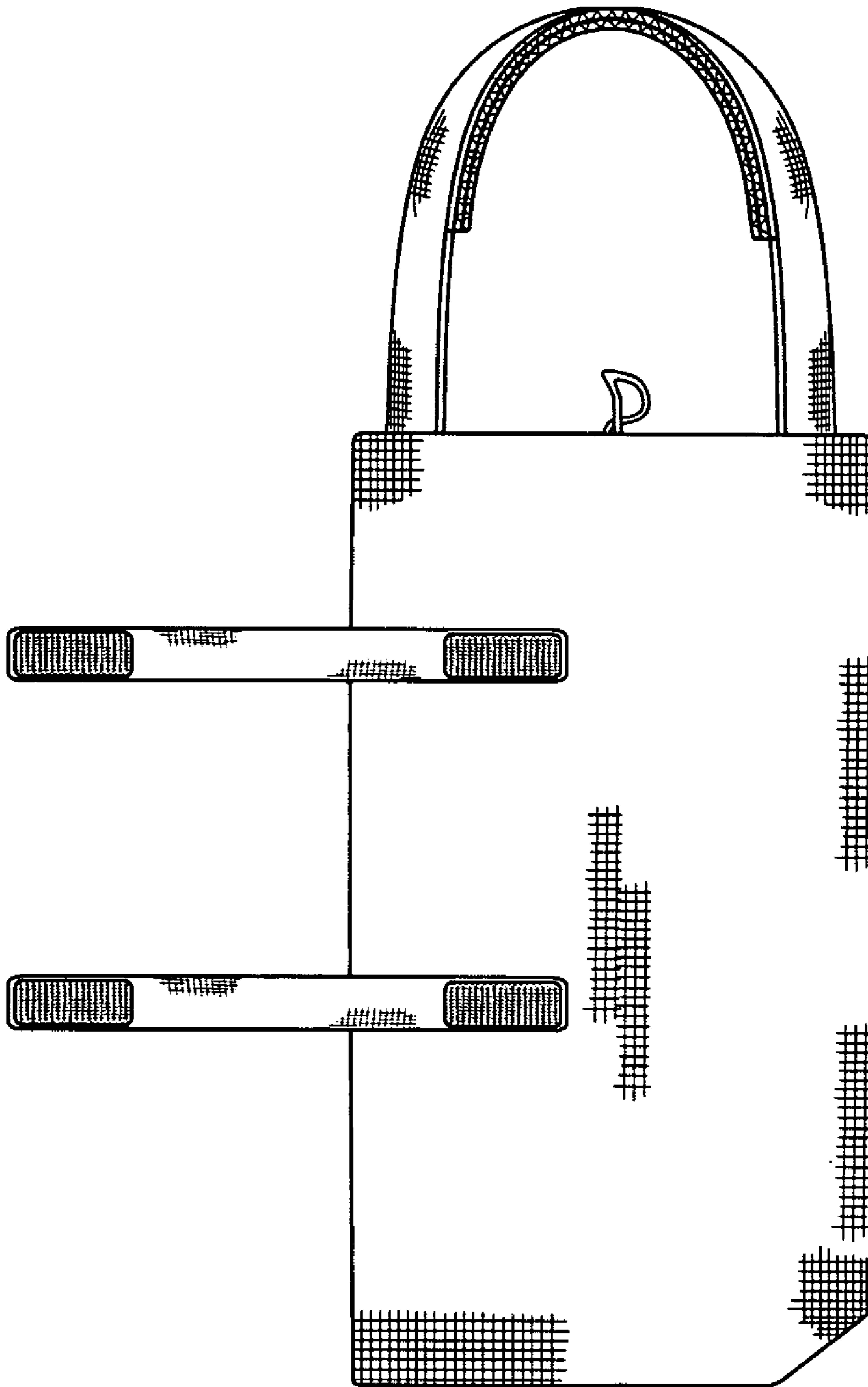


FIG. 8

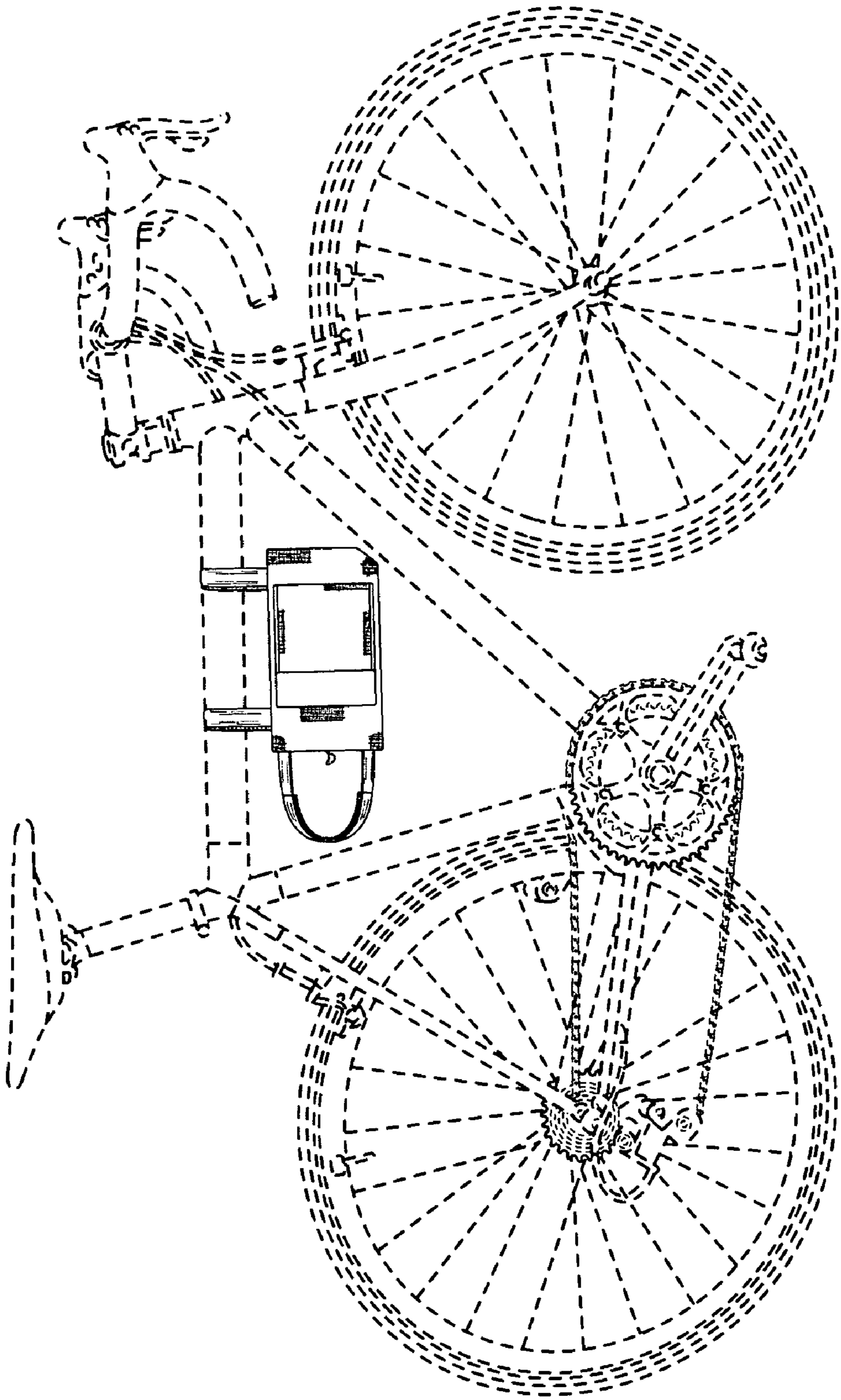


FIG. 9

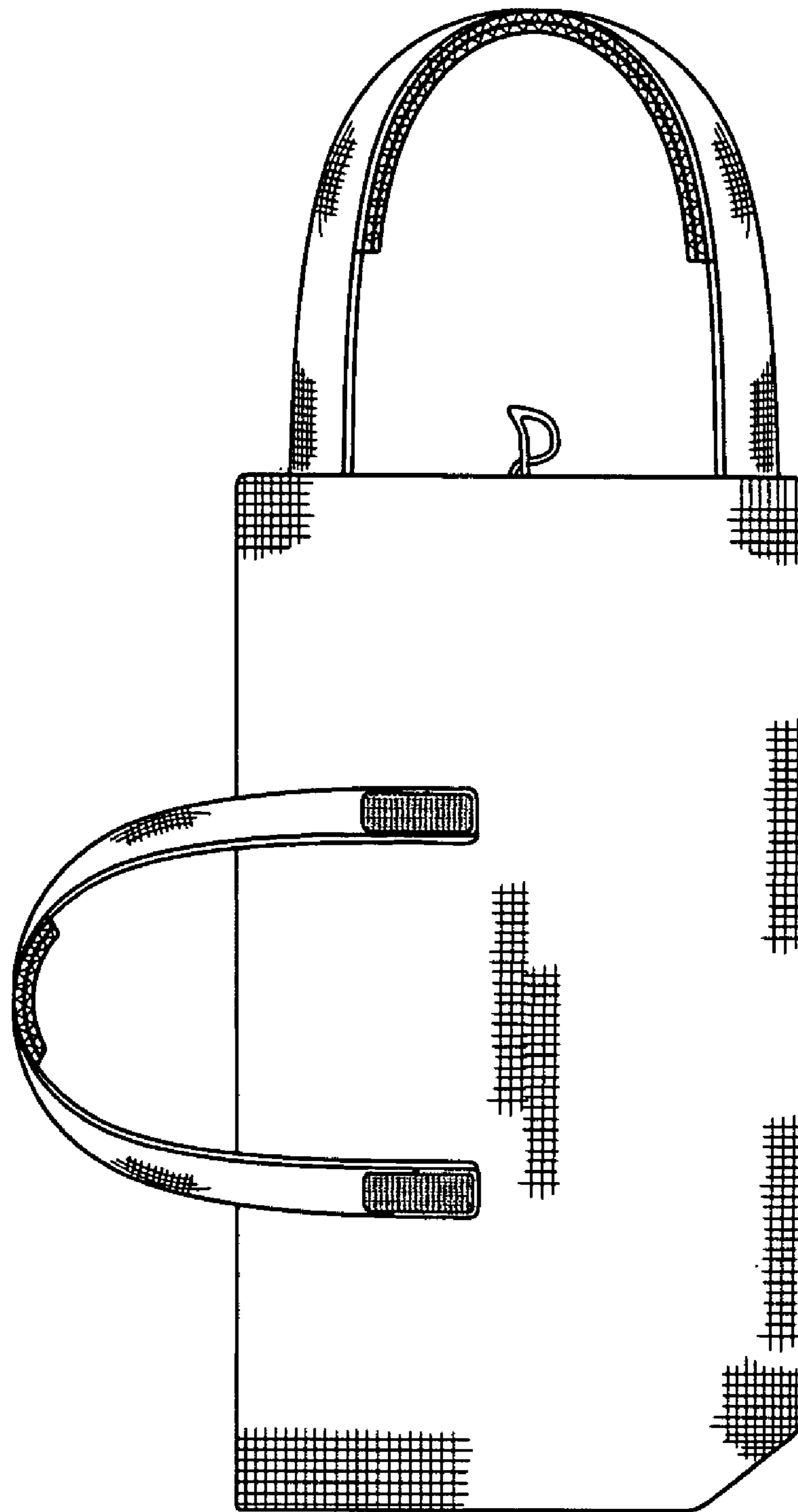


FIG. 10