



US00D568023S

(12) **United States Design Patent**  
**McConnell**

(10) **Patent No.:** **US D568,023 S**

(45) **Date of Patent:** **\*\* Apr. 29, 2008**

(54) **BAG HOLDER**

(75) Inventor: **Peter McConnell**, Encinitas, CA (US)

(73) Assignee: **Cool Stuff, LLC**, San Diego, CA (US)

(\*\*) Term: **14 Years**

(21) Appl. No.: **29/273,575**

(22) Filed: **Mar. 8, 2007**

(51) **LOC (8) Cl.** ..... **09-09**

(52) **U.S. Cl.** ..... **D34/6**

(58) **Field of Classification Search** ..... D34/5,  
D34/6; 248/95, 97, 99, 100, 101, 107  
See application file for complete search history.

(56) **References Cited**

U.S. PATENT DOCUMENTS

|           |     |         |                |       |        |
|-----------|-----|---------|----------------|-------|--------|
| 1,760,752 | A * | 5/1930  | Happer         | ..... | 248/99 |
| D214,645  | S * | 7/1969  | Gay et al.     | ..... | D34/6  |
| D214,849  | S * | 8/1969  | Barrett        | ..... | D34/6  |
| 3,796,402 | A * | 3/1974  | Trotta         | ..... | 248/97 |
| 4,238,868 | A   | 12/1980 | Sternberg      |       |        |
| 4,832,291 | A   | 5/1989  | Nelson et al.  |       |        |
| 4,919,546 | A   | 4/1990  | Imazeki et al. |       |        |
| 4,971,274 | A   | 11/1990 | Mitchell       |       |        |
| 5,014,943 | A   | 5/1991  | Nelson et al.  |       |        |
| 5,020,751 | A   | 6/1991  | Larkin         |       |        |
| 5,031,948 | A   | 7/1991  | Groth et al.   |       |        |
| D326,752  | S * | 6/1992  | Griggs         | ..... | D34/5  |
| 5,154,378 | A   | 10/1992 | Plum           |       |        |
| 5,163,645 | A   | 11/1992 | Caruso         |       |        |
| D420,480  | S * | 2/2000  | Necaise        | ..... | D34/6  |
| D436,706  | S * | 1/2001  | Clinton        | ..... | D34/6  |

|              |      |        |                |       |        |
|--------------|------|--------|----------------|-------|--------|
| 6,199,802    | B1 * | 3/2001 | Scheibe, Sr.   | ..... | 248/97 |
| 6,517,033    | B2   | 2/2003 | Russell et al. |       |        |
| 6,726,156    | B1   | 4/2004 | Scola          |       |        |
| D543,328     | S *  | 5/2007 | Kulkey         | ..... | D34/6  |
| 2007/0181753 | A1 * | 8/2007 | Herlands       | ..... | 248/99 |
| 2007/0210216 | A1 * | 9/2007 | McConnell      | ..... | 248/95 |

\* cited by examiner

*Primary Examiner*—Cynthia E Ramirez

(74) *Attorney, Agent, or Firm*—Steven G. Roeder; James P. Broder

(57) **CLAIM**

The ornamental design for a bag holder, as shown and described.

**DESCRIPTION**

FIG. 1 is a first perspective view of a bag holder showing the new design;

FIG. 2 is a second perspective view of the bag holder;

FIG. 3 is a side view of bag holder;

FIG. 4 is the other side view of the bag holder;

FIG. 5 is a top view of the bag holder;

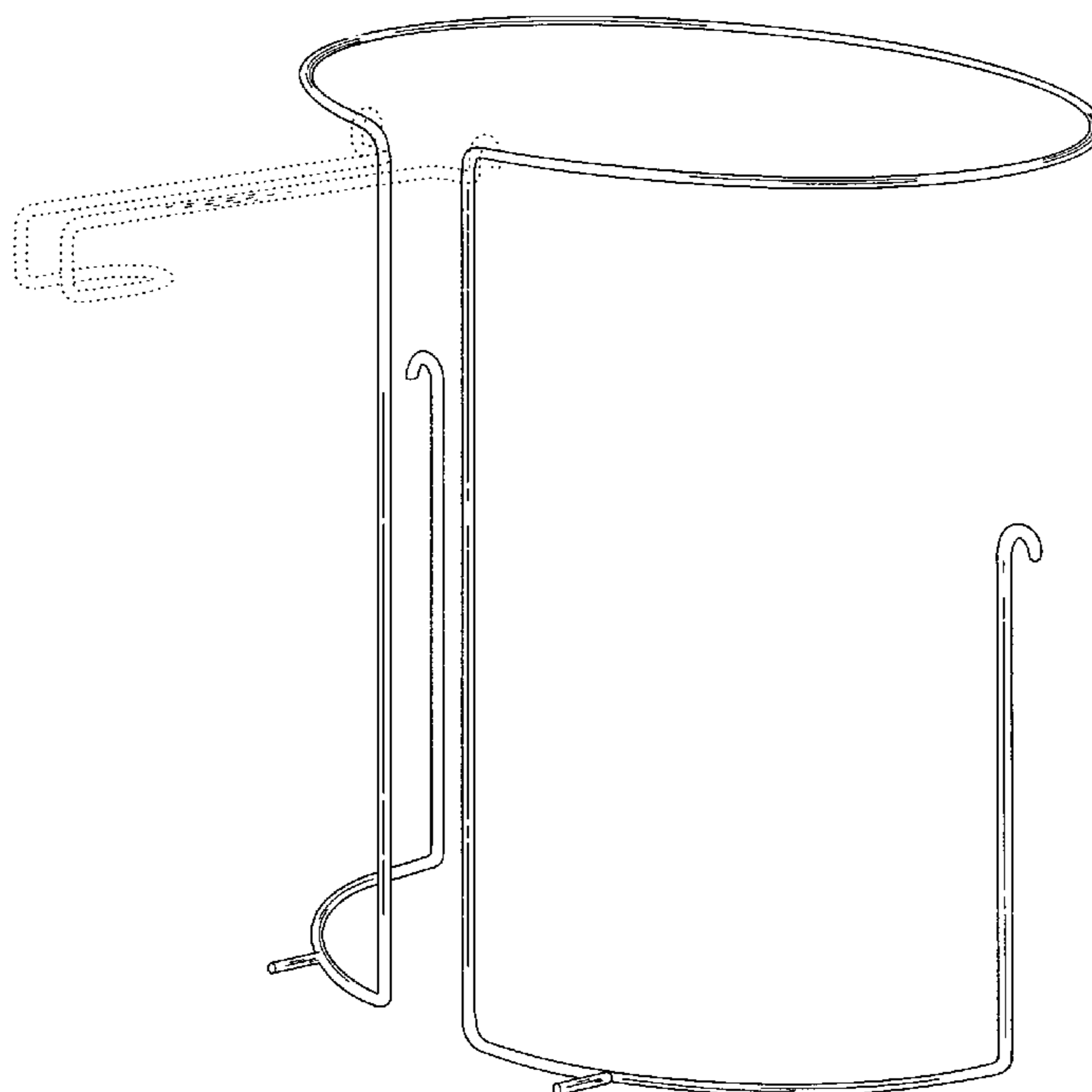
FIG. 6 is a bottom view of the bag holder;

FIG. 7 is a rear view of the bag holder, and,

FIG. 8 is the front view of the bag holder.

The broken lines in the Figures showing a handle are for environmental purposes only and form no part of the claimed design.

**1 Claim, 8 Drawing Sheets**



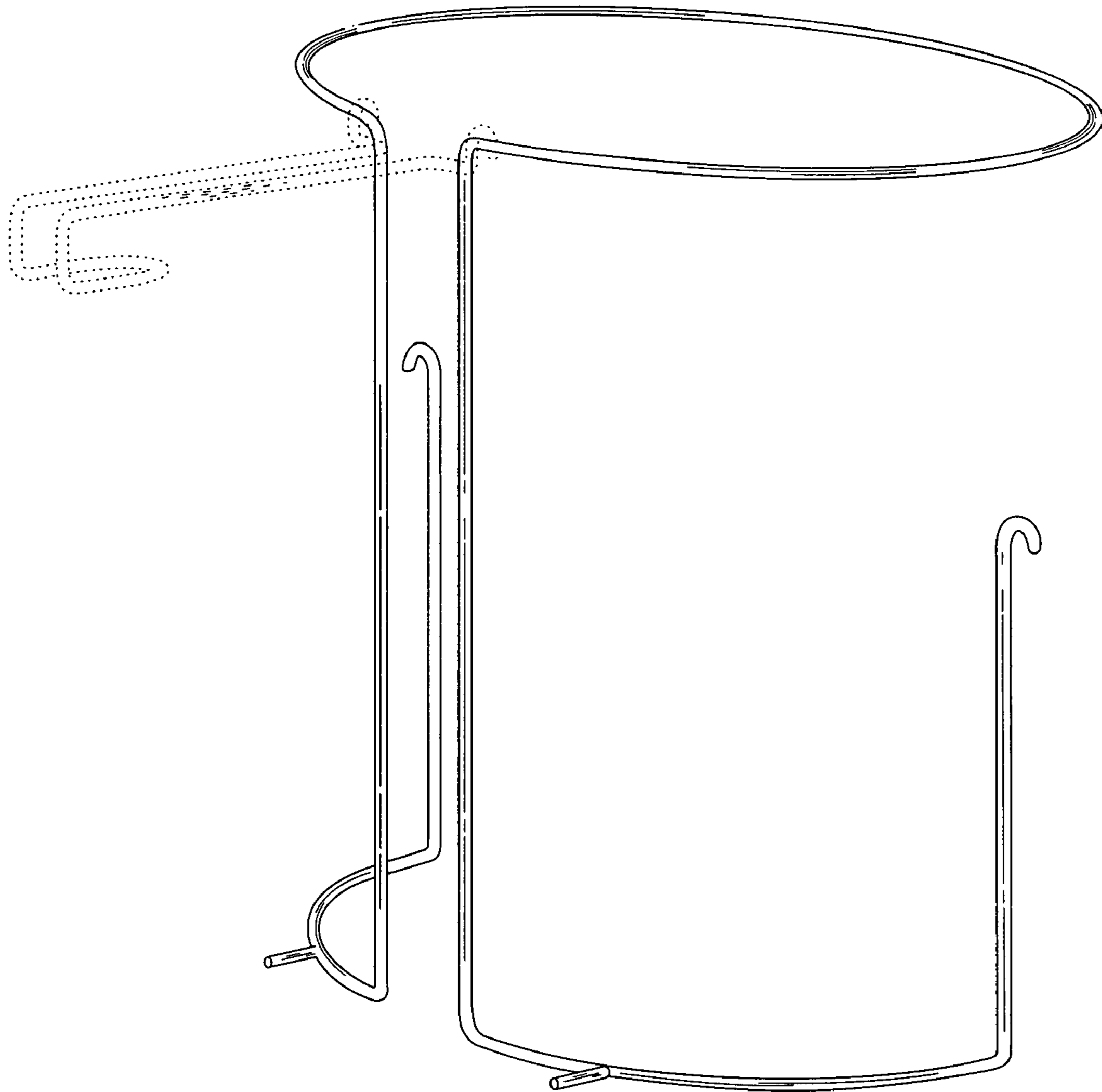


FIG. 1

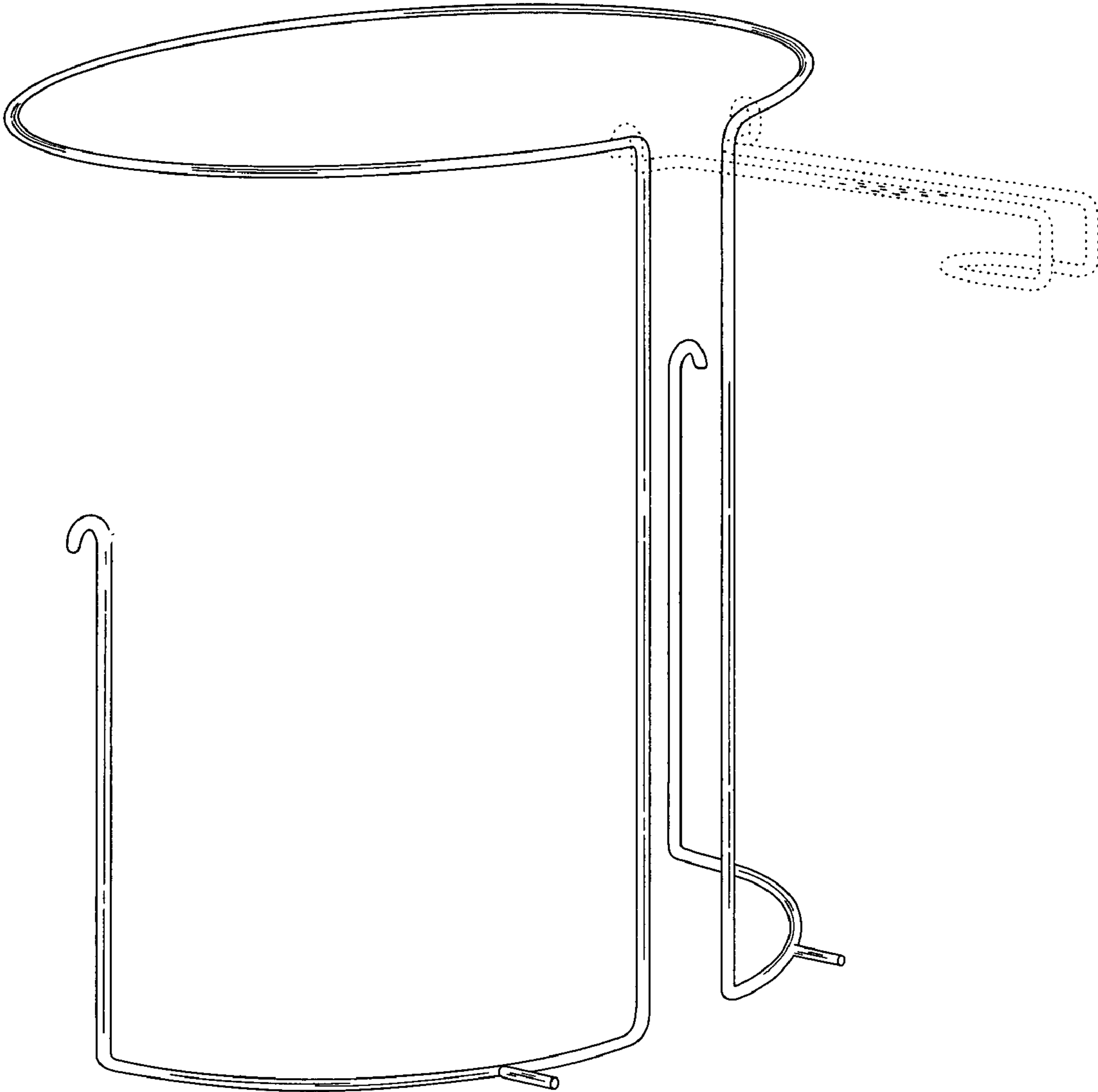


FIG. 2

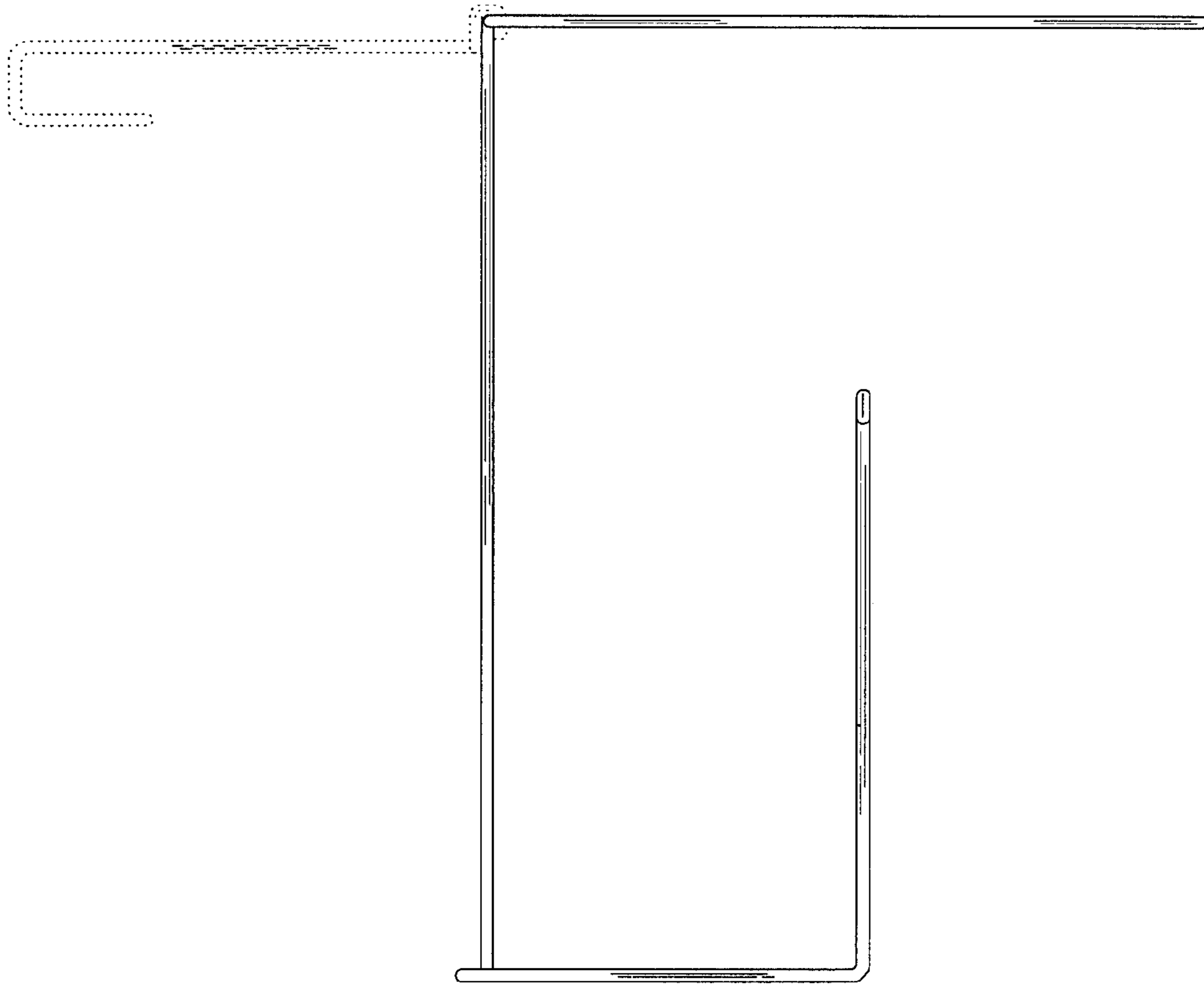


FIG. 3

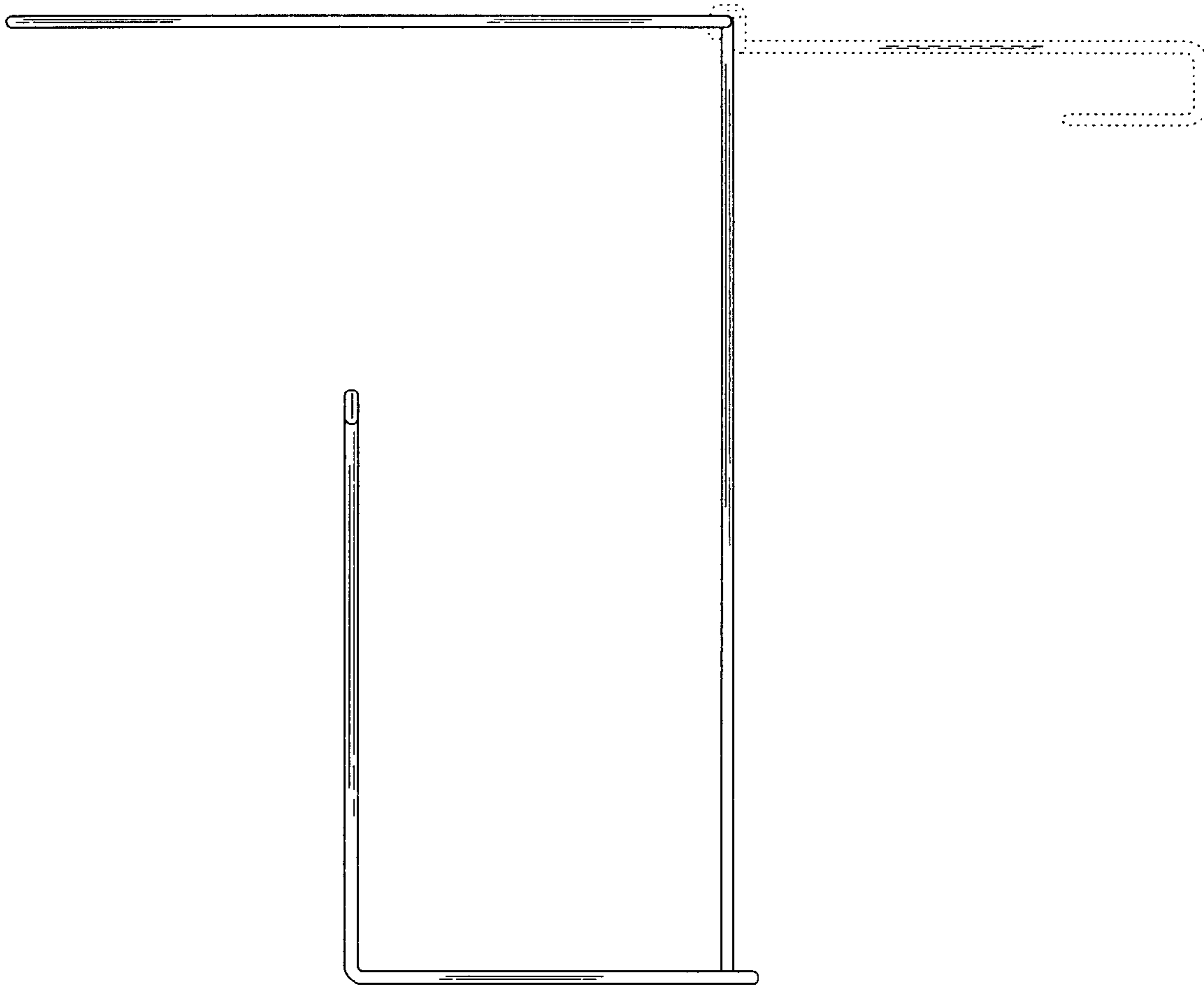


FIG. 4

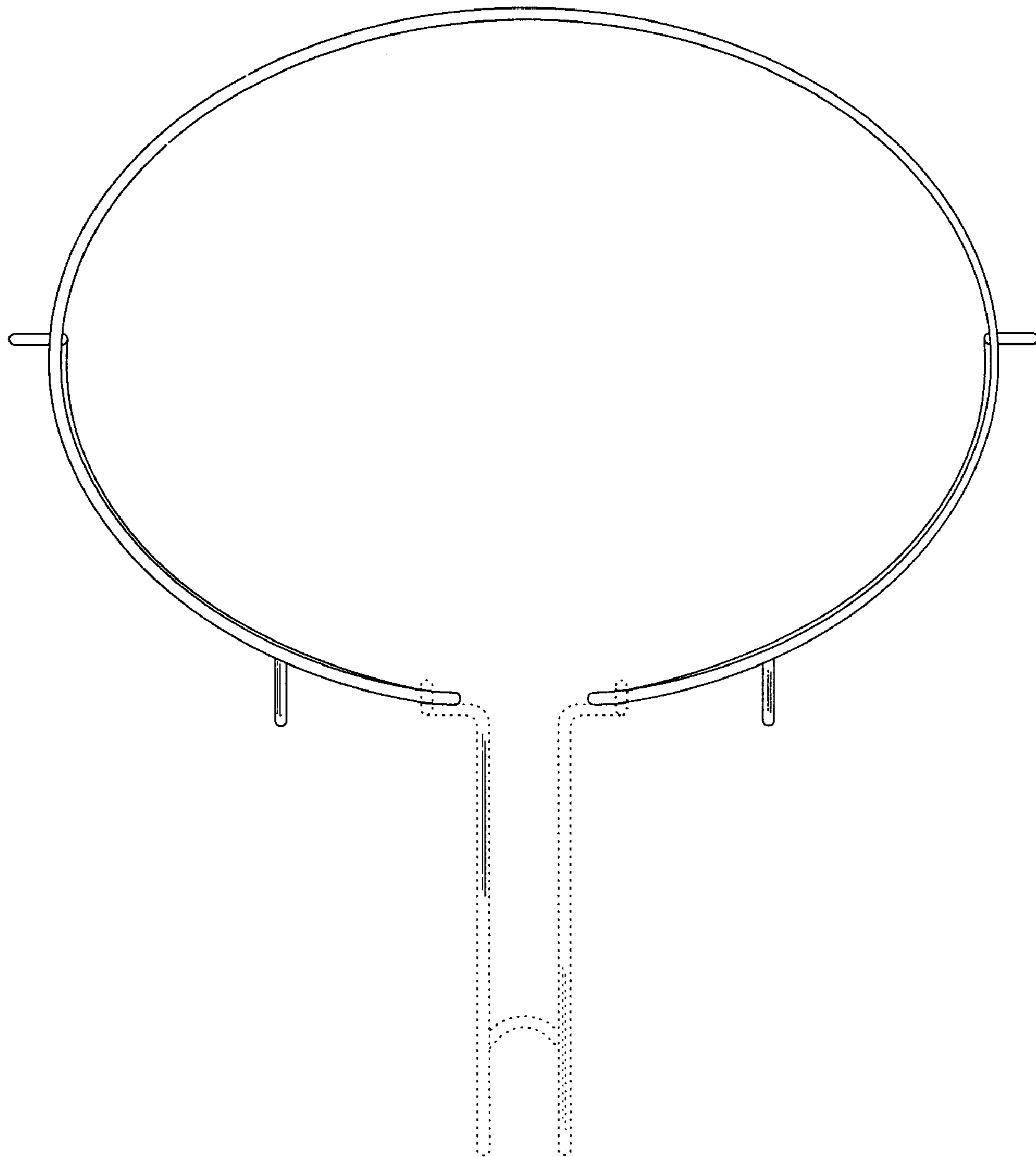


FIG. 5

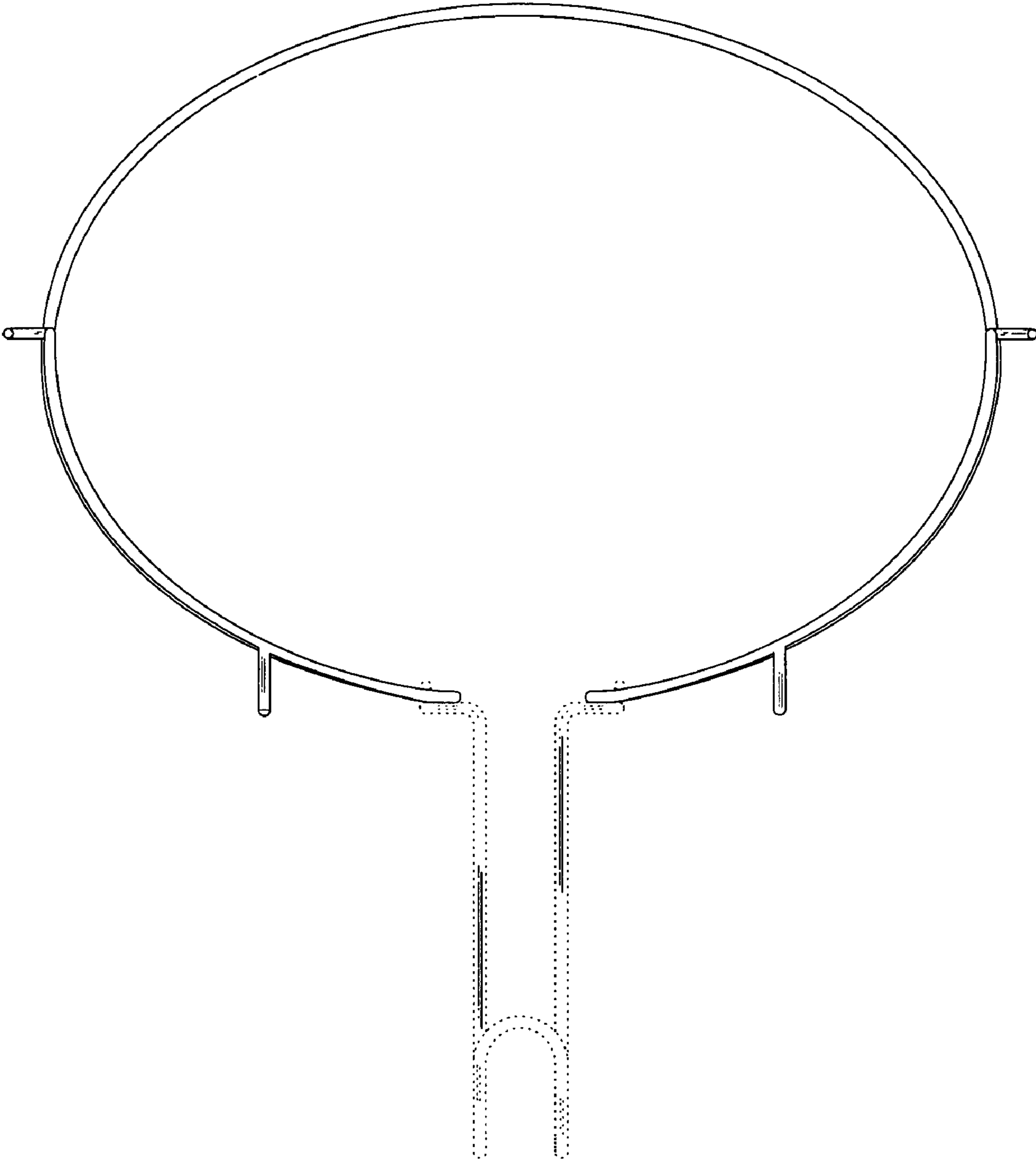


FIG. 6

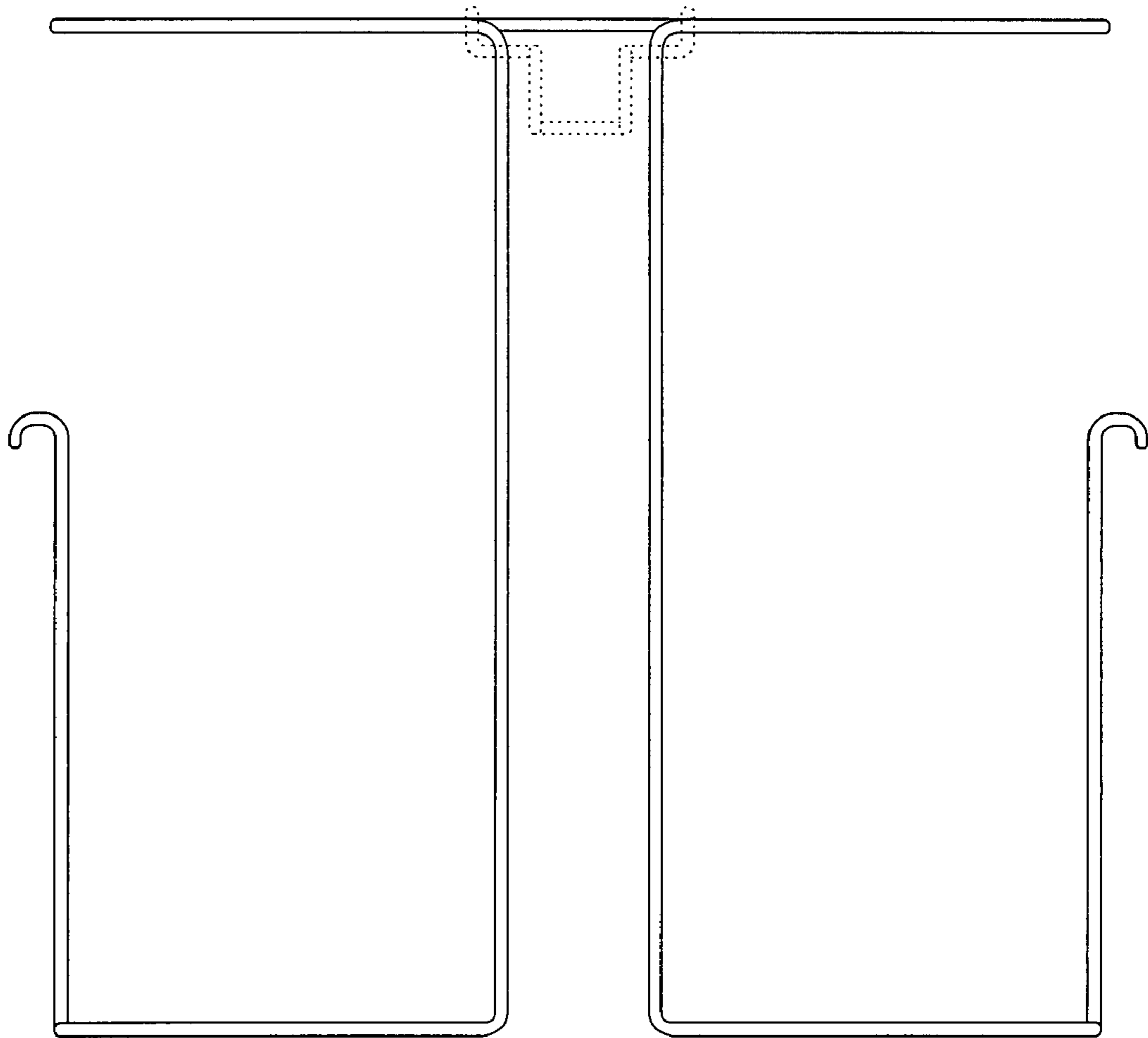


FIG. 7



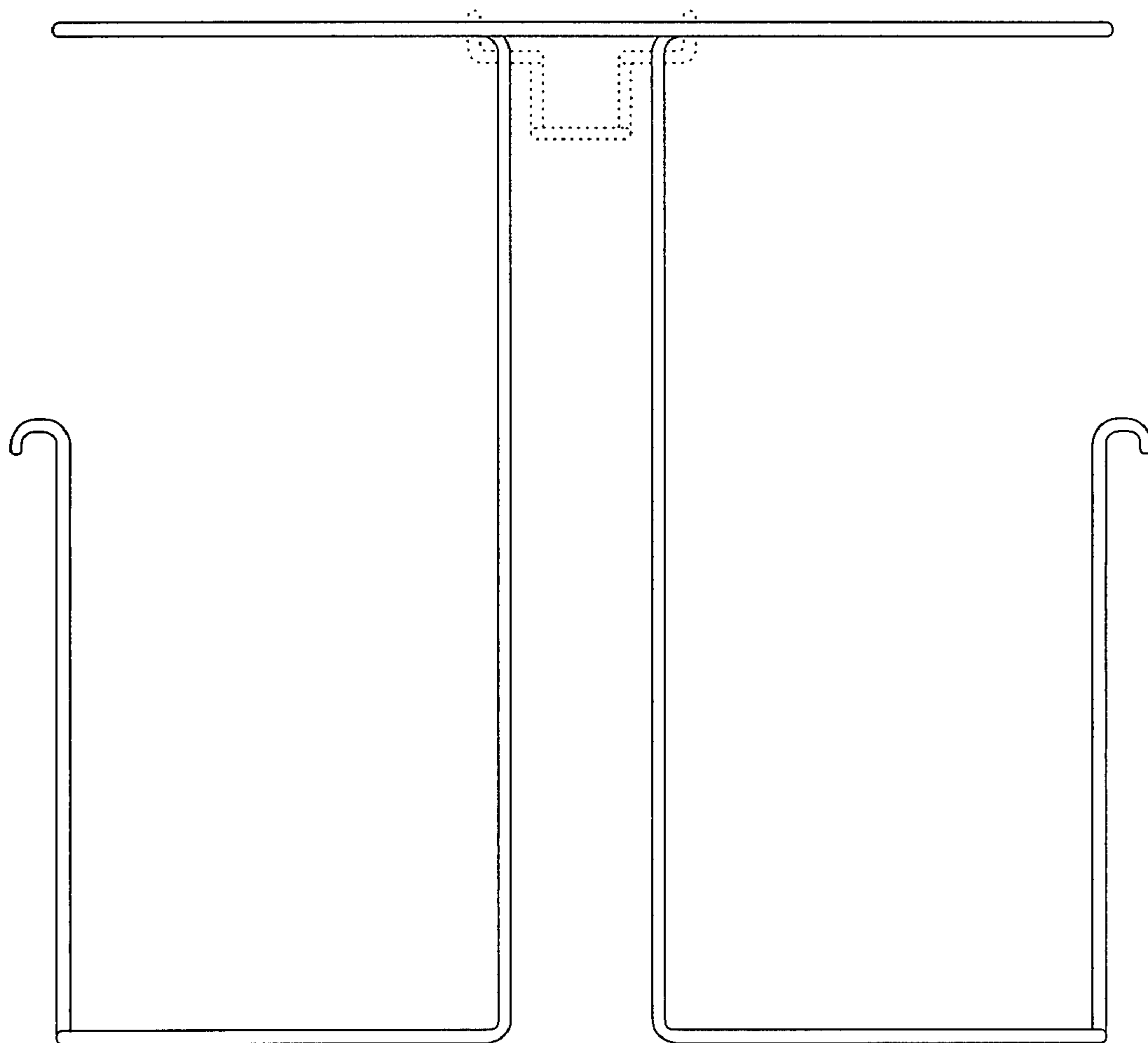


FIG. 8