



US00D568022S

(12) **United States Design Patent**
Bureau et al.

(10) **Patent No.: US D568,022 S**

(45) **Date of Patent: ** Apr. 29, 2008**

(54) **RUBBISH BIN**

D401,727 S * 11/1998 Weideman et al. D34/25
D535,448 S * 1/2007 Kilduff et al. D34/5

(75) Inventors: **Nicolas Bureau**, Lyons (FR); **Frederick Mathieu**, Lyons (FR)

* cited by examiner

(73) Assignee: **SRI France** (FR)

Primary Examiner—Cynthia E Ramirez

(74) *Attorney, Agent, or Firm*—Cantor Colburn LLP

(**) Term: **14 Years**

(57) **CLAIM**

(21) Appl. No.: **29/280,434**

I claim, the ornamental design for a rubbish bin, as shown and described.

(22) Filed: **May 29, 2007**

(30) **Foreign Application Priority Data**

DESCRIPTION

Nov. 27, 2006 (EP) 627567-0001

FIG. 1 is a top, perspective view of a rubbish bin, showing my new design;

(51) **LOC (8) Cl.** **09-09**

FIG. 2 is a front elevation view thereof;

(52) **U.S. Cl.** **D34/5**

FIG. 3 is a rear elevation view thereof;

(58) **Field of Classification Search** D34/1-12;
220/908-913, 675; 280/47.26, 47.19
See application file for complete search history.

FIG. 4 is a side view thereof taken from the left of FIG. 2, the opposite side being a mirror image thereof;

FIG. 5 is a top plan view thereof;

(56) **References Cited**

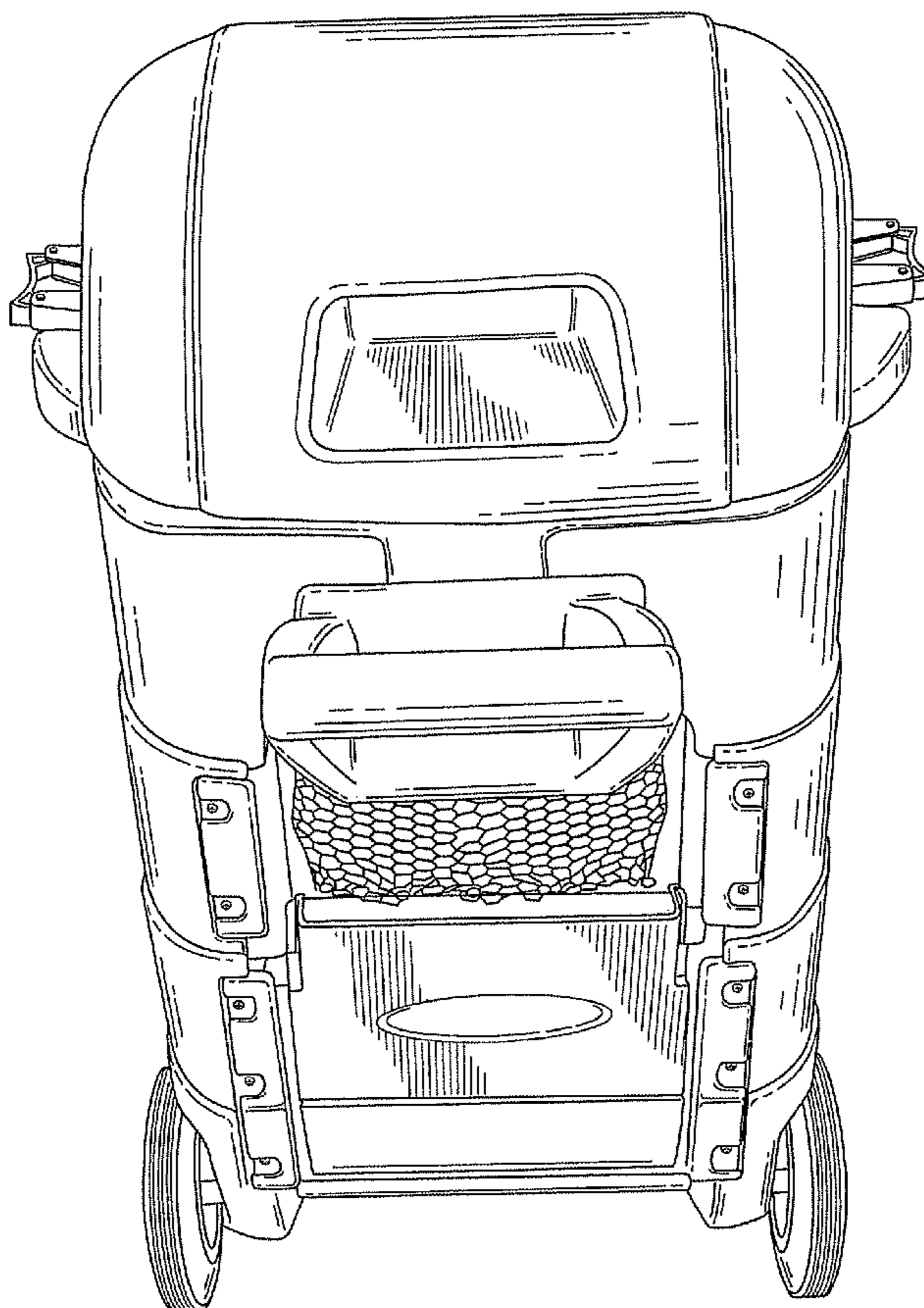
FIG. 6 is a front view thereof showing the rubbish bin in an open configuration; and,

U.S. PATENT DOCUMENTS

FIG. 7 is a front view thereof in another open configuration.

D205,319 S * 7/1966 Klein D34/5
4,765,503 A * 8/1988 Otto et al. 220/659
D313,491 S * 1/1991 Edelhoff et al. D34/5

1 Claim, 7 Drawing Sheets



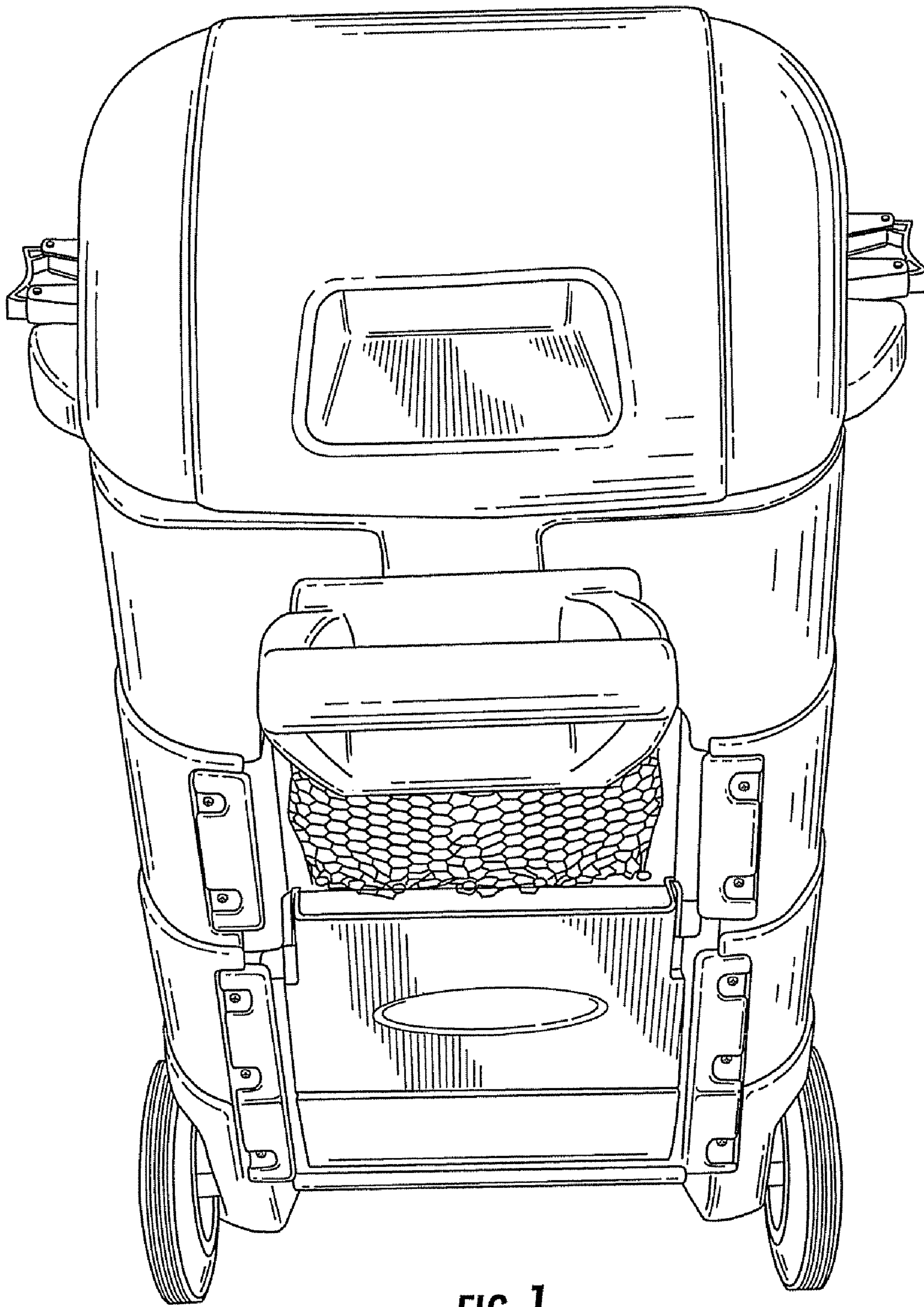


FIG. 1

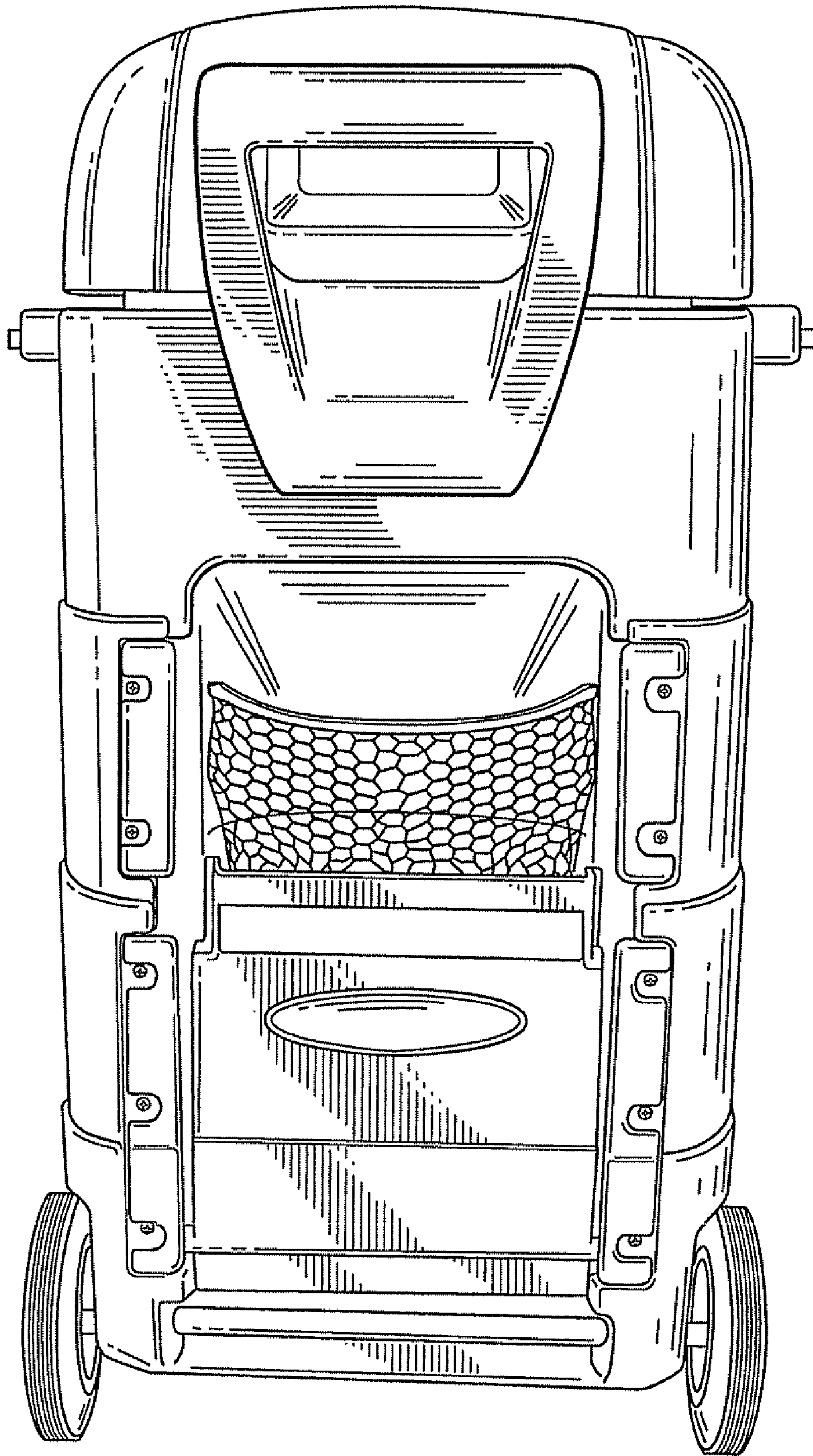


FIG. 2

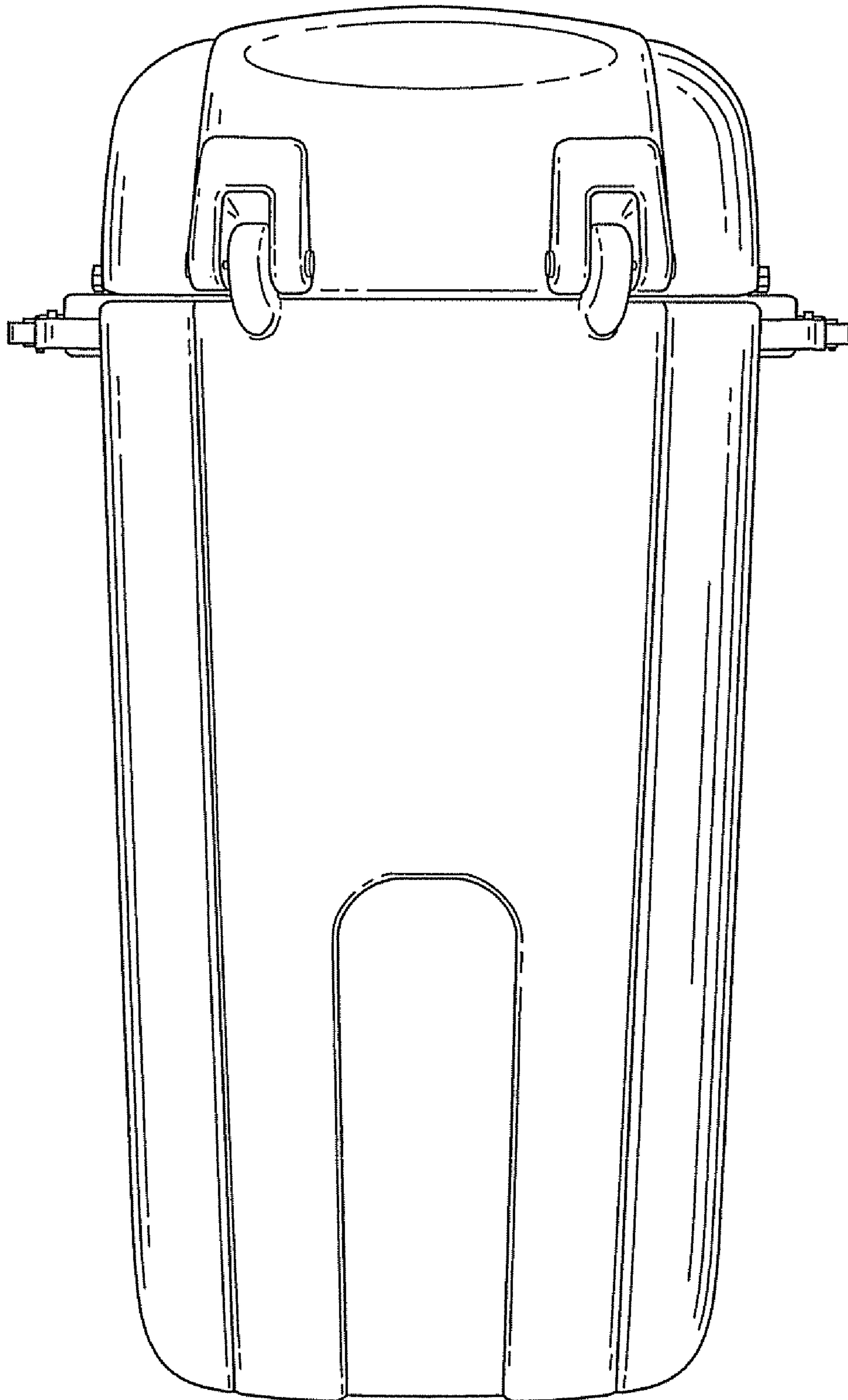


FIG. 3

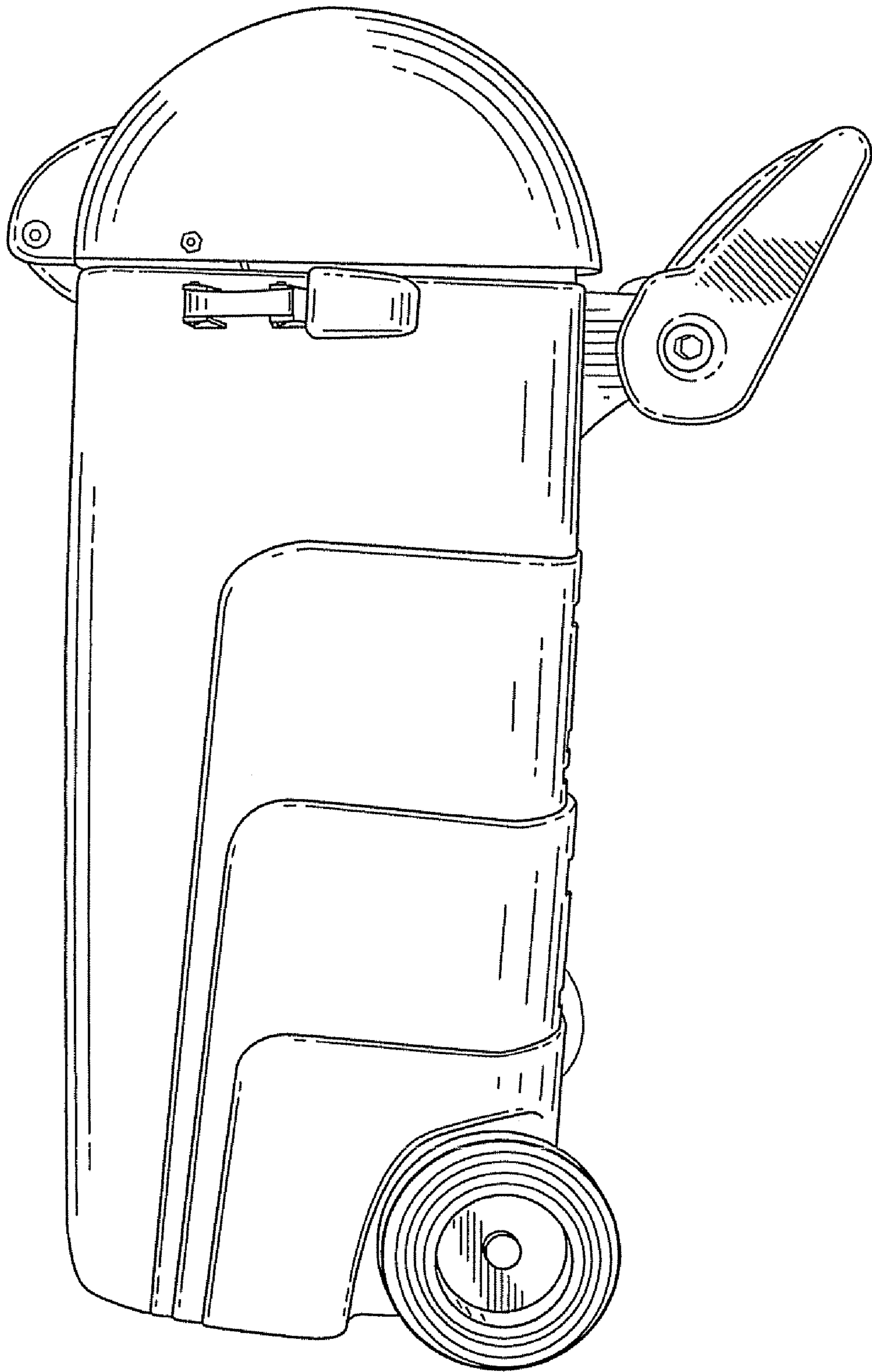


FIG. 4

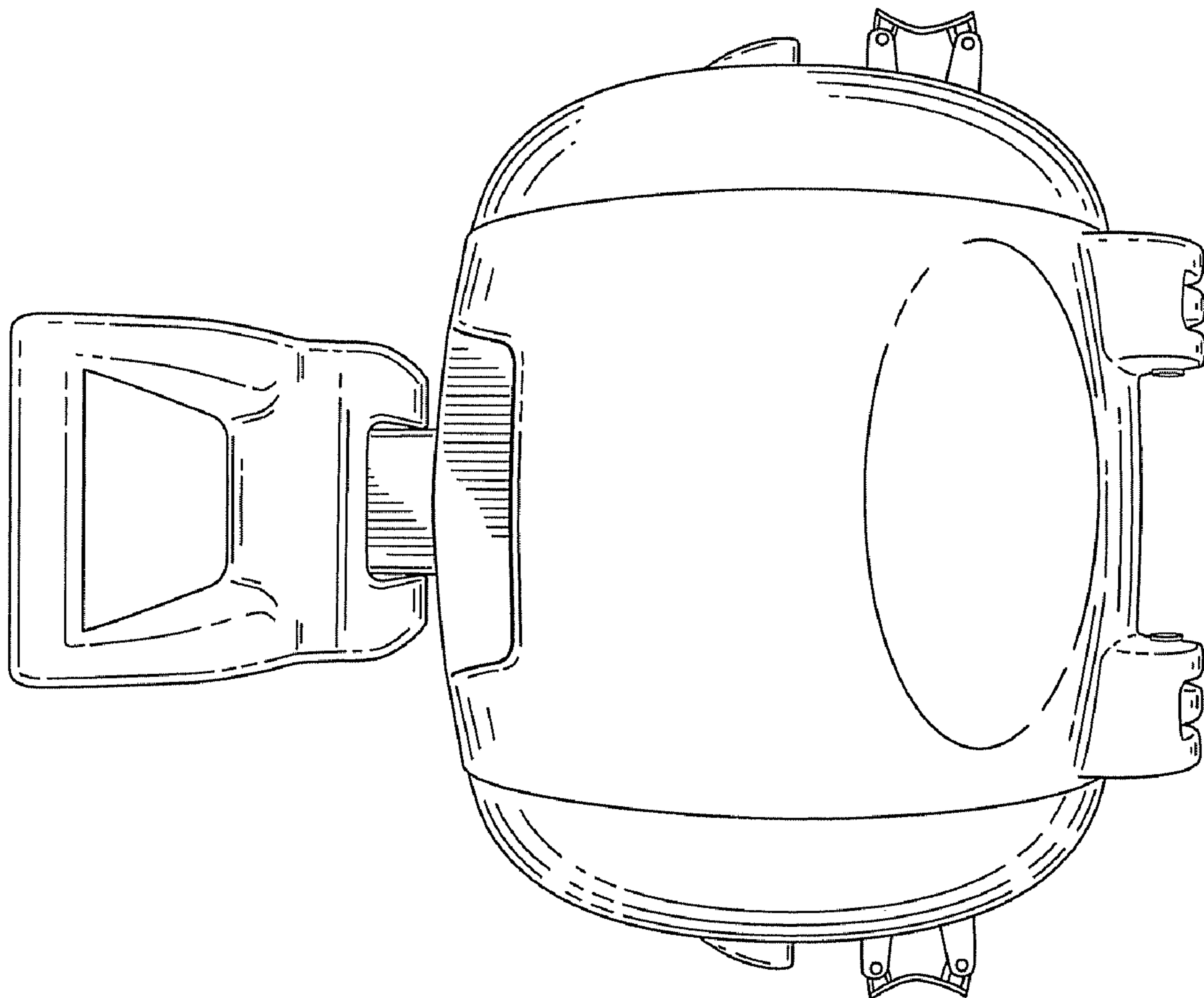


FIG. 5

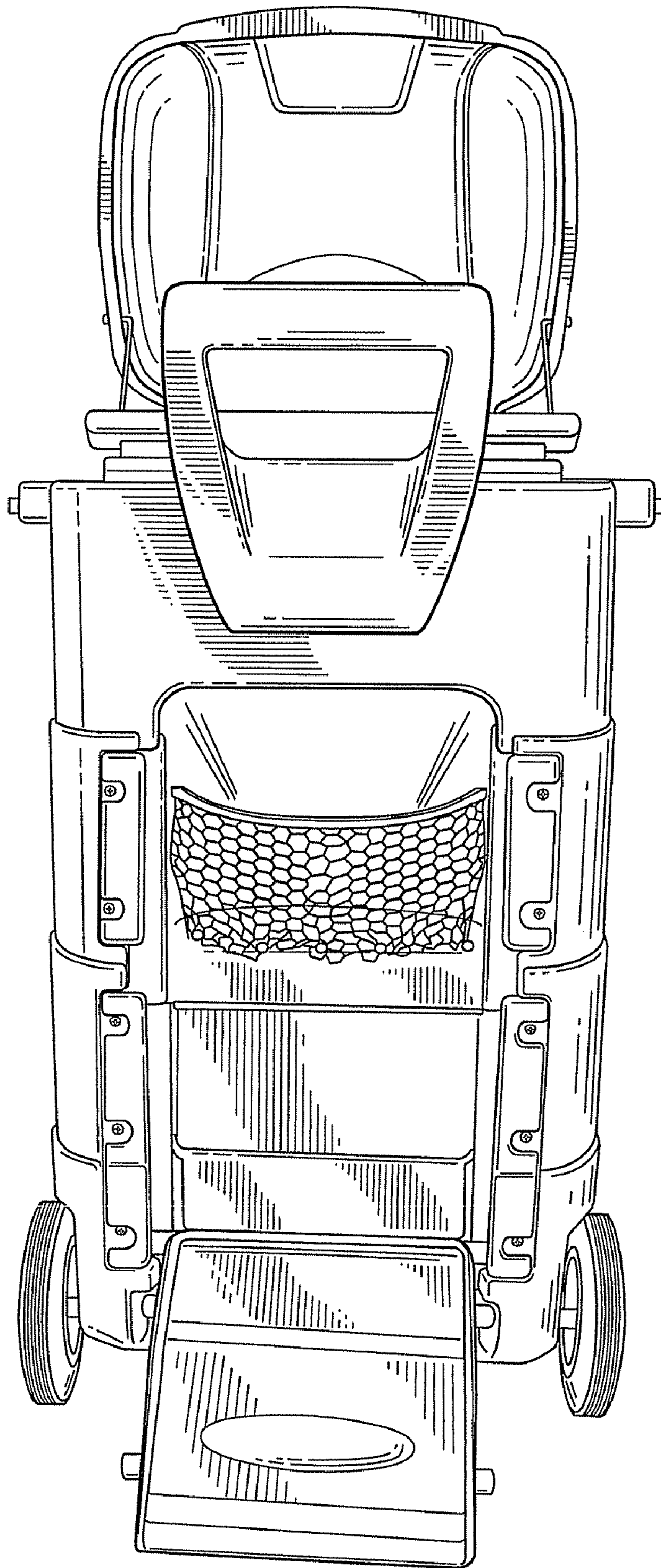


FIG. 6

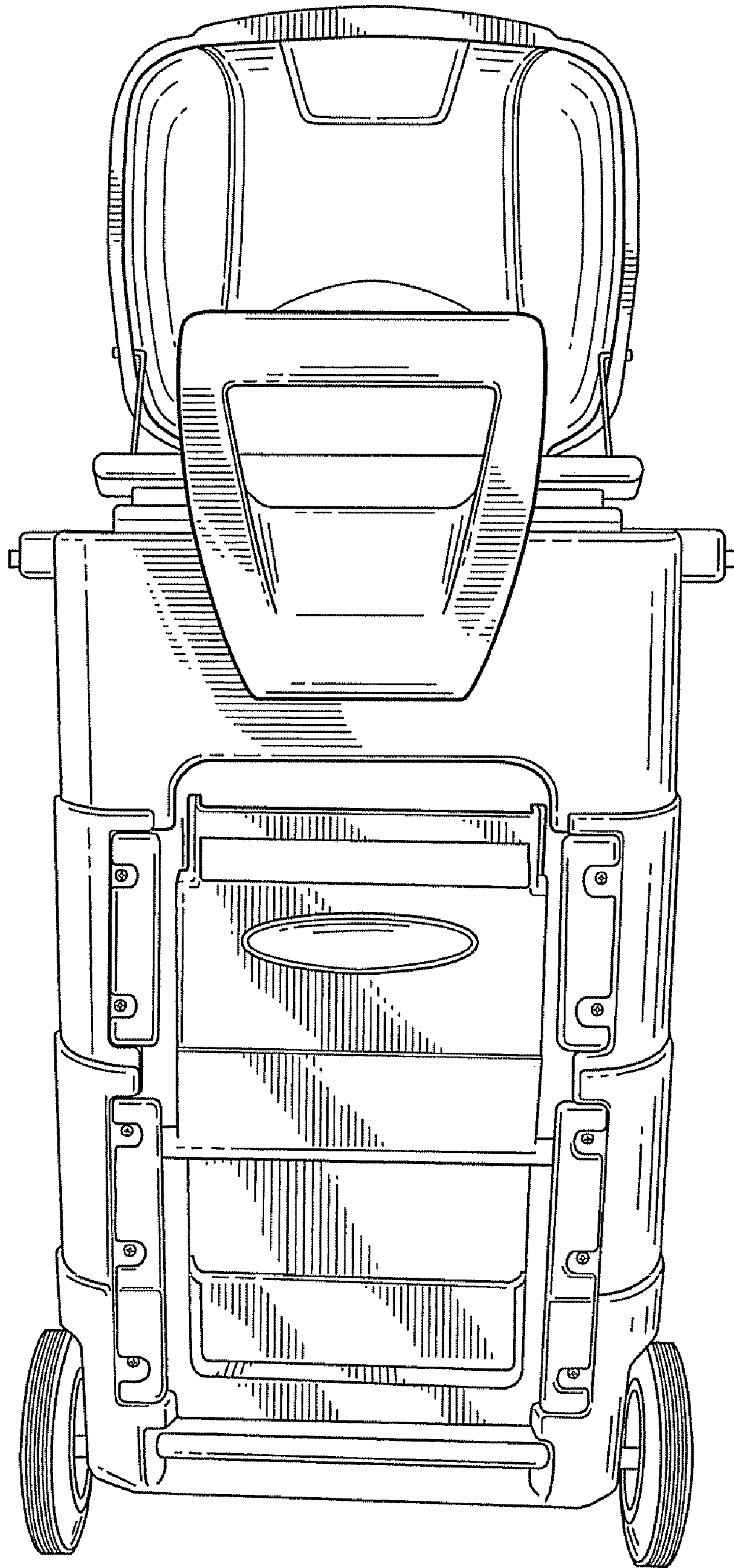


FIG. 7