



US00D568021S

(12) **United States Design Patent**  
**Lebot et al.**

(10) **Patent No.:** **US D568,021 S**  
(45) **Date of Patent:** **\*\* Apr. 29, 2008**

(54) **STEAM GENERATING BASE FOR A LAUNDRY IRON**

D470,637 S 2/2003 Berthier  
D470,986 S 2/2003 Berthier  
D484,658 S \* 12/2003 Schupp ..... D32/73

(75) Inventors: **Laurent Lebot**, Nantes (FR); **Victor Massip**, Nantes (FR)

FOREIGN PATENT DOCUMENTS

(73) Assignee: **Calor**, Lyons (FR)

FR 04 2746 6/2004  
WO DM/066 966 7/2005

(\*\*) Term: **14 Years**

\* cited by examiner

(21) Appl. No.: **29/263,105**

*Primary Examiner*—Pamela J. Burgess

(22) Filed: **Jul. 17, 2006**

(74) *Attorney, Agent, or Firm*—Browdy and Neimark

(30) **Foreign Application Priority Data**

(57) **CLAIM**

Jan. 17, 2006 (FR) ..... 06/00181

The ornamental design for a steam generating base for a laundry iron, as shown.

(51) **LOC (8) Cl.** ..... **07-05**

**DESCRIPTION**

(52) **U.S. Cl.** ..... **D32/73**

FIG. 1 is an elevational view showing a part of the front and the right side of a steam generating base for a laundry iron in accordance with the present design;

(58) **Field of Classification Search** ..... D32/71-73;  
38/77.2-77.9, 79, 96, 141-142; 248/117.1-117.7;  
219/245-247

FIG. 2 is an elevational view showing the rear and right side thereof;

See application file for complete search history.

FIG. 3 is a right side elevational view thereof;

(56) **References Cited**

U.S. PATENT DOCUMENTS

D370,324 S \* 5/1996 Villa ..... D32/73  
D374,527 S \* 10/1996 Gudfin ..... D32/68  
D379,702 S \* 6/1997 Gudfin et al. .... D32/73  
D408,107 S \* 4/1999 Clouet ..... D32/73  
D439,023 S \* 3/2001 Powell ..... D32/73  
6,212,332 B1 \* 4/2001 Sham et al. .... 392/404  
D463,641 S \* 9/2002 Powell ..... D32/71

FIG. 4 is a left side elevational view thereof;

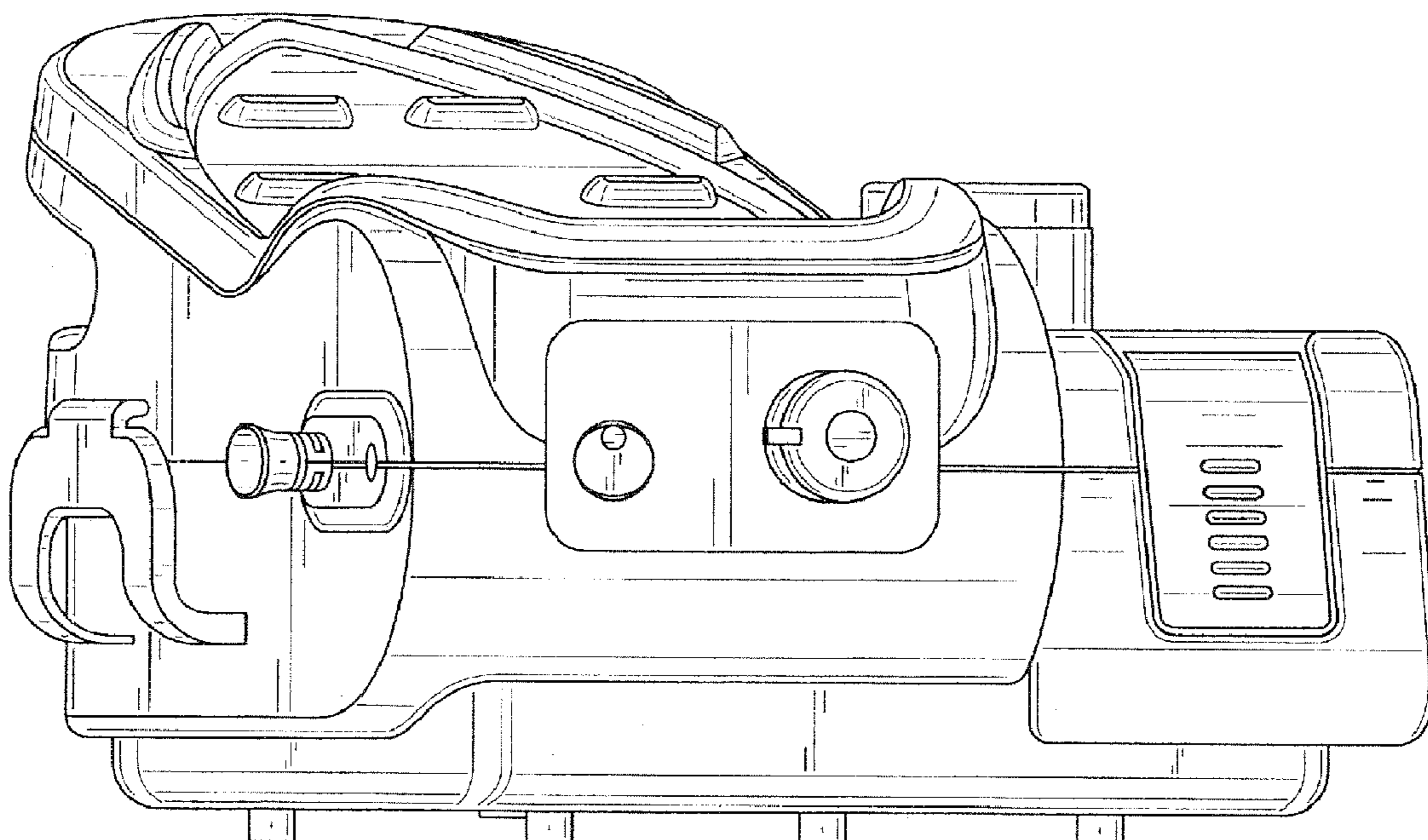
FIG. 5 is a front elevational view thereof;

FIG. 6 is a rear elevational view thereof;

FIG. 7 is a top plan view thereof; and,

FIG. 8 is a bottom plan view thereof.

**1 Claim, 8 Drawing Sheets**



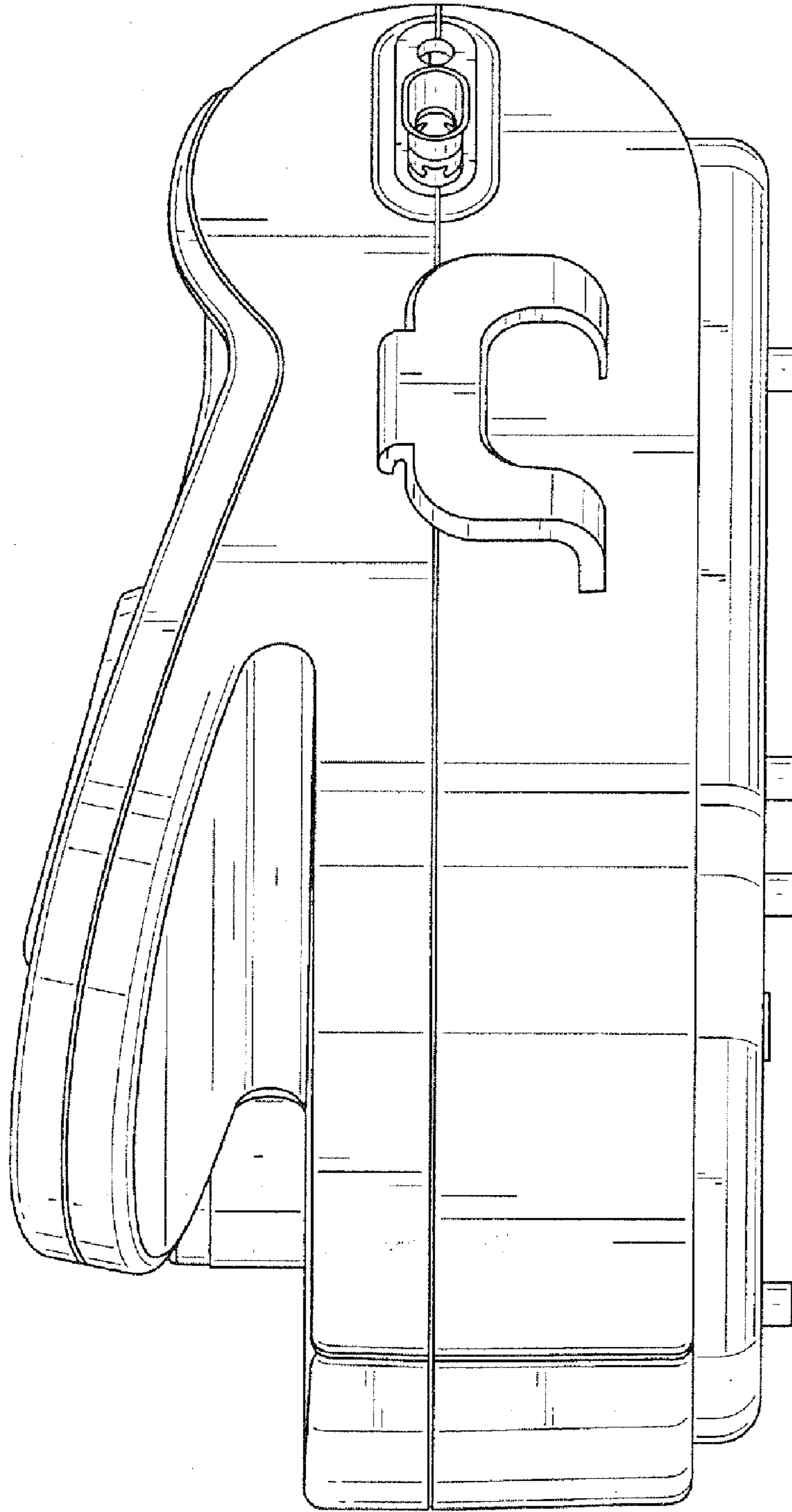


FIG. 1

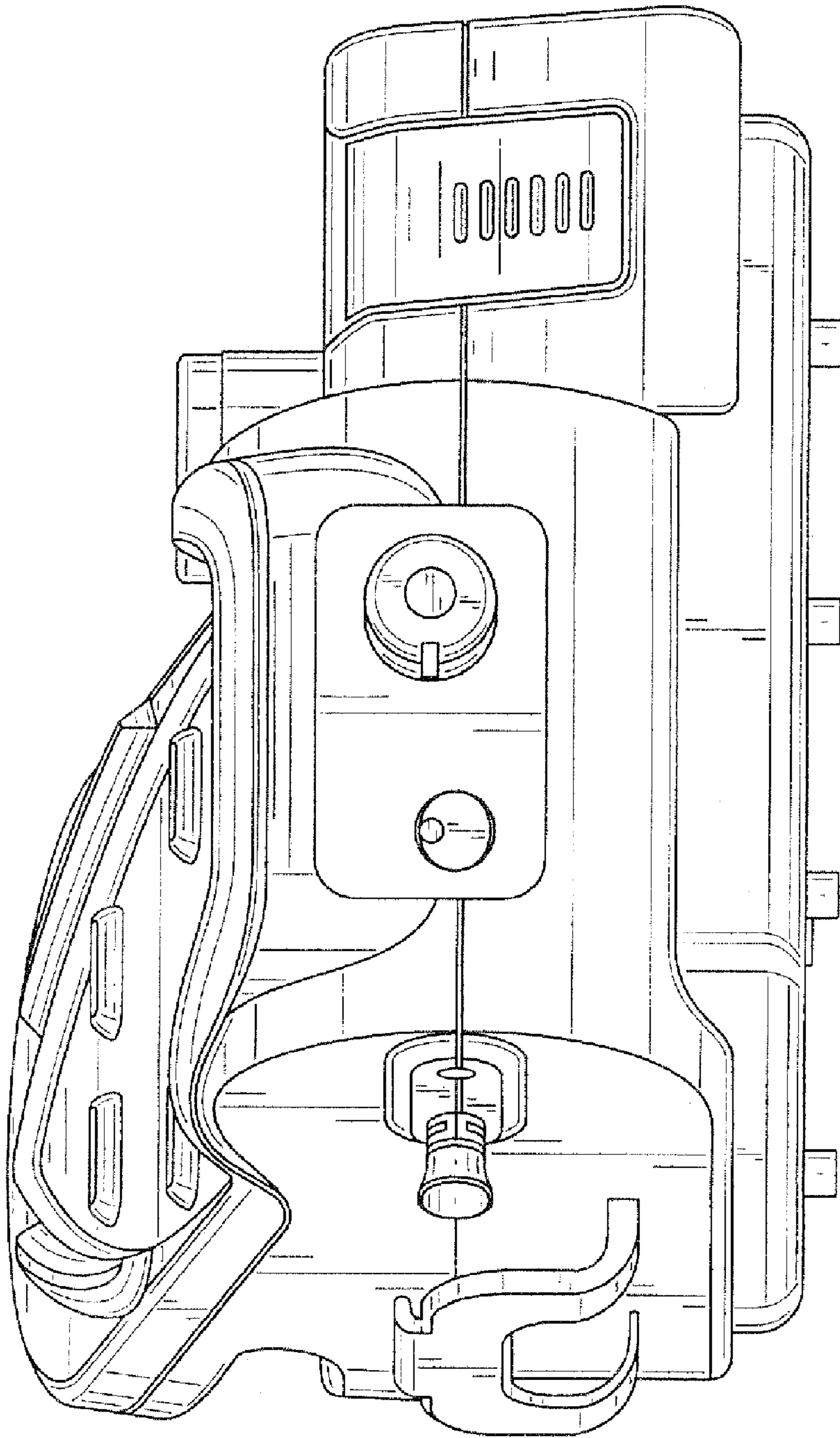


FIG. 2

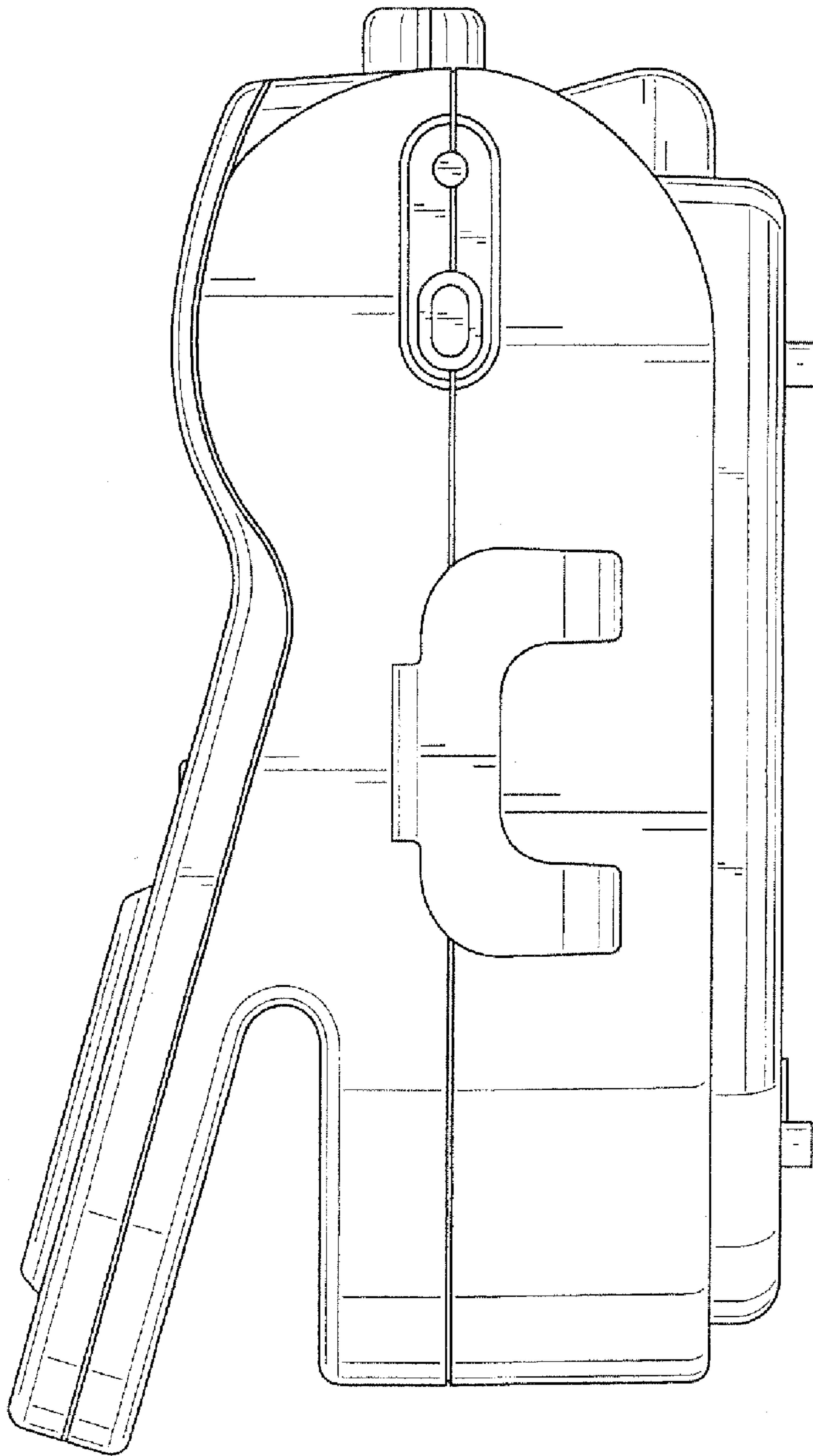


FIG. 3

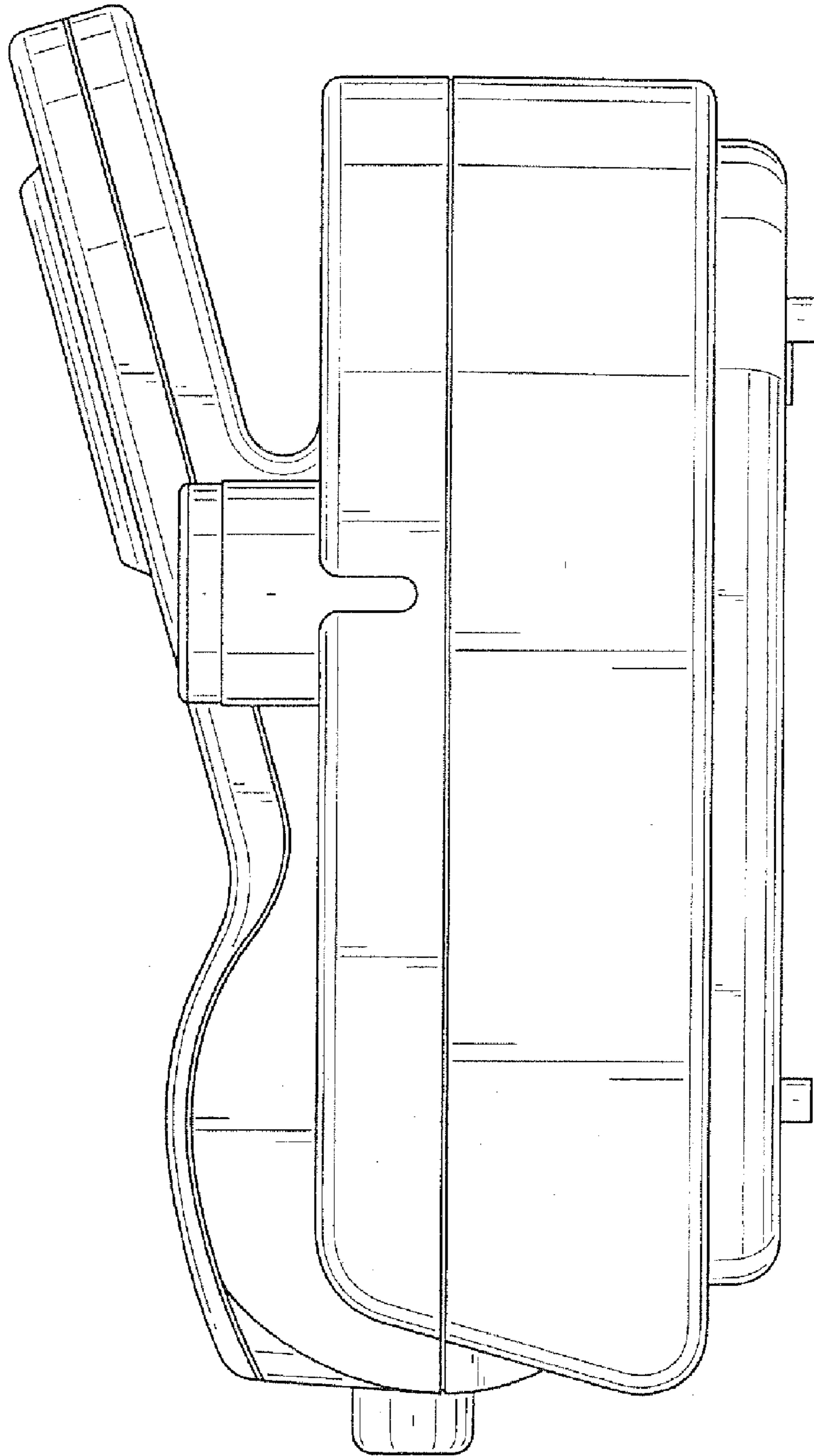


FIG. 4

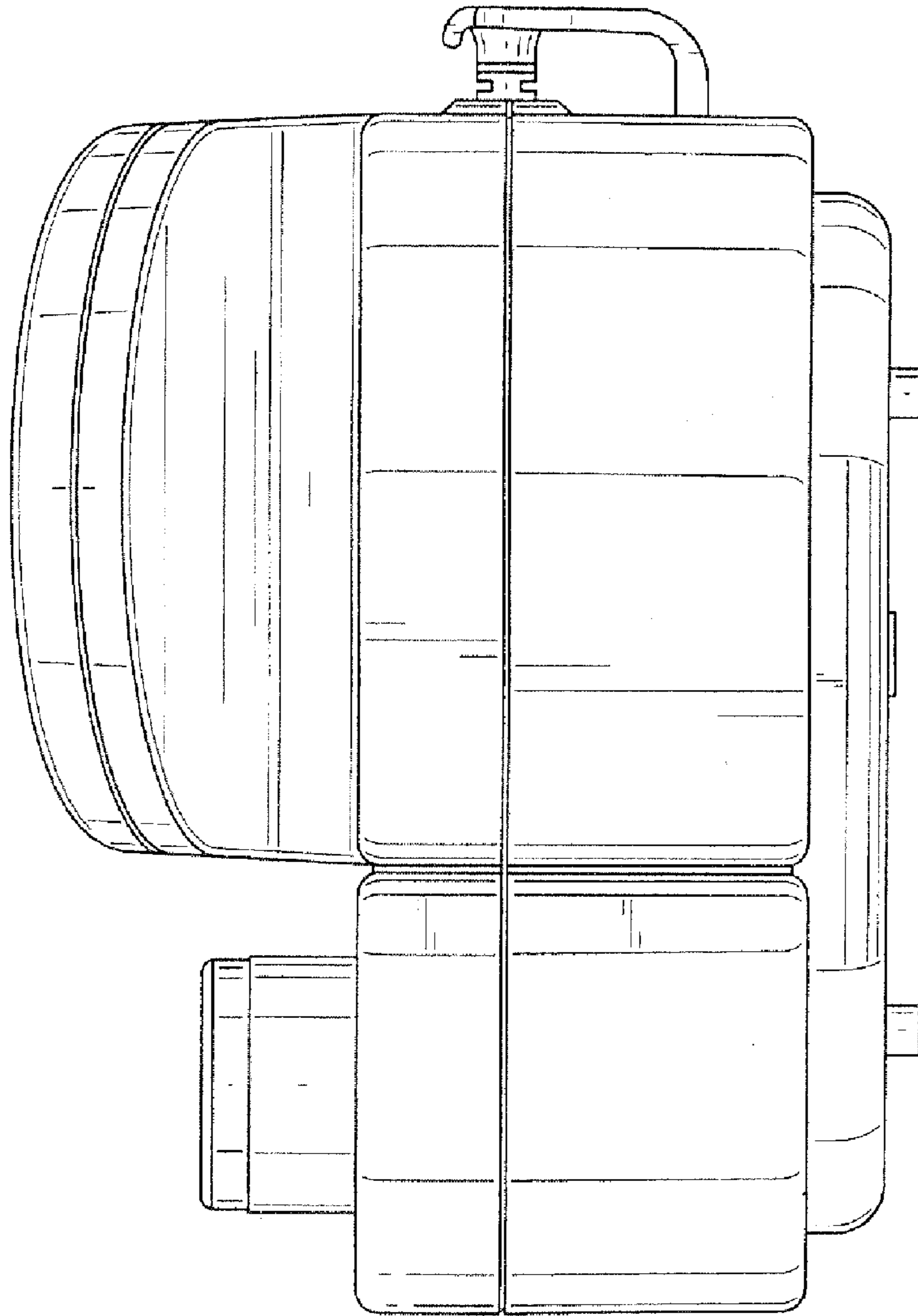


FIG. 5

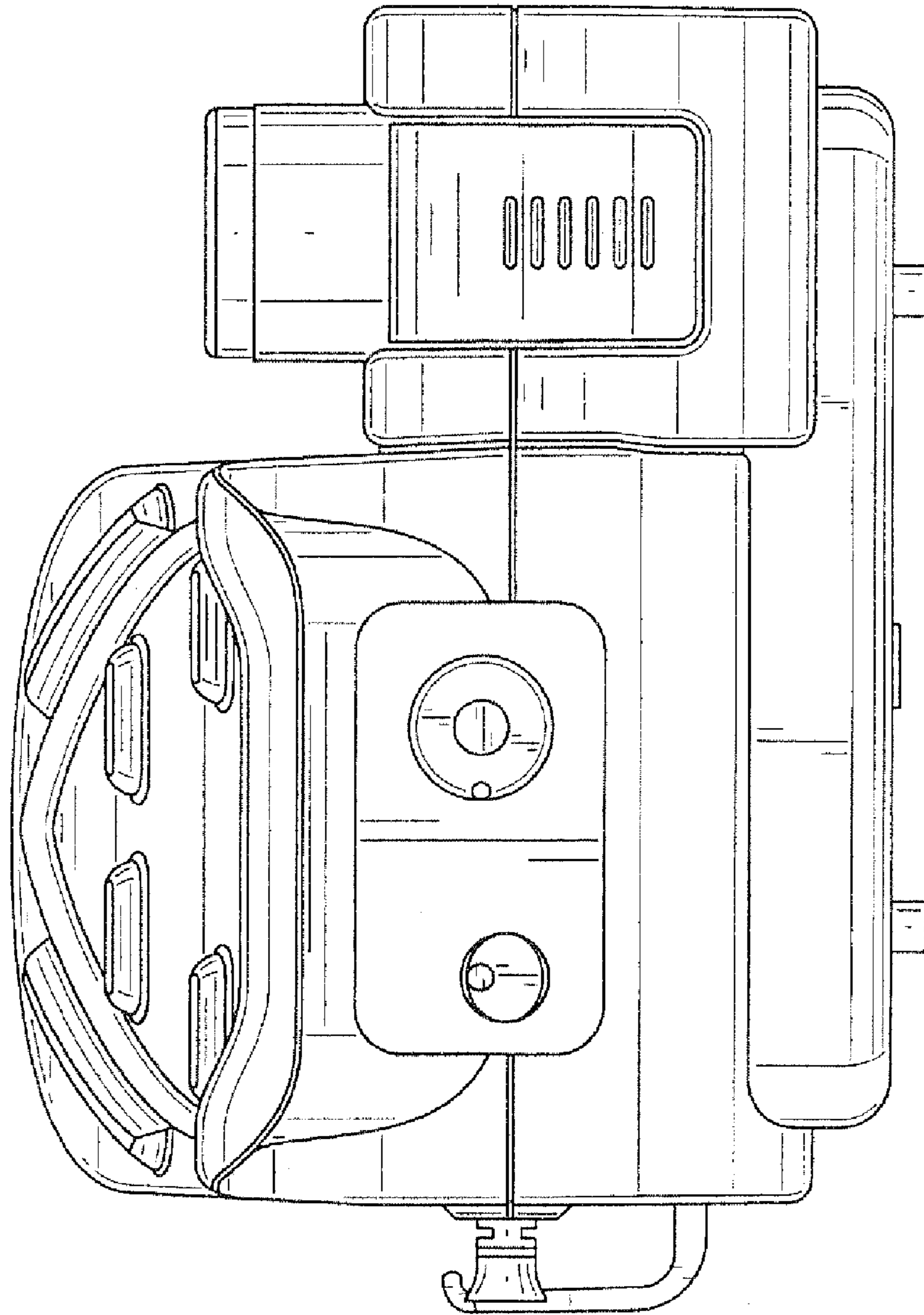


FIG. 6

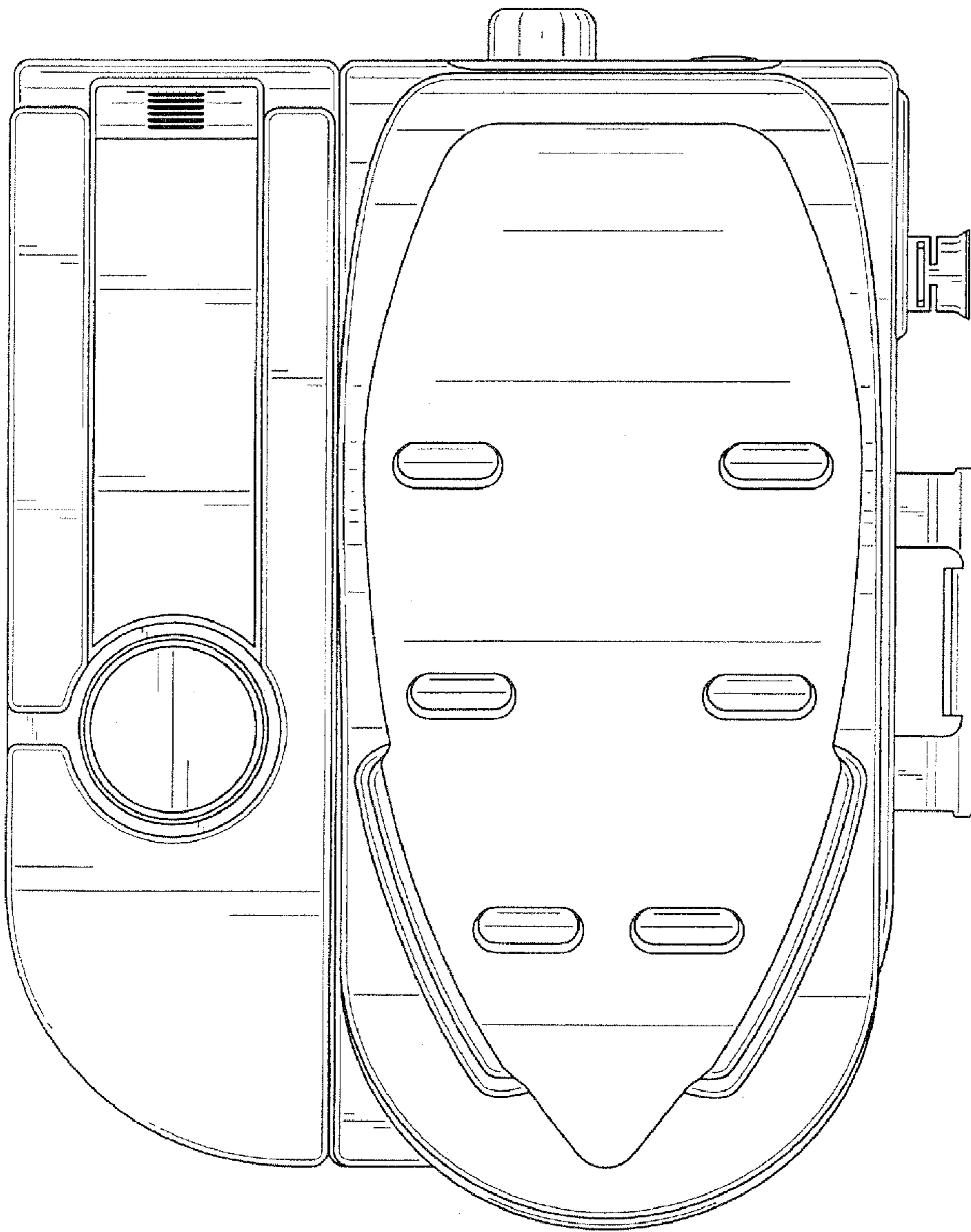


FIG. 7



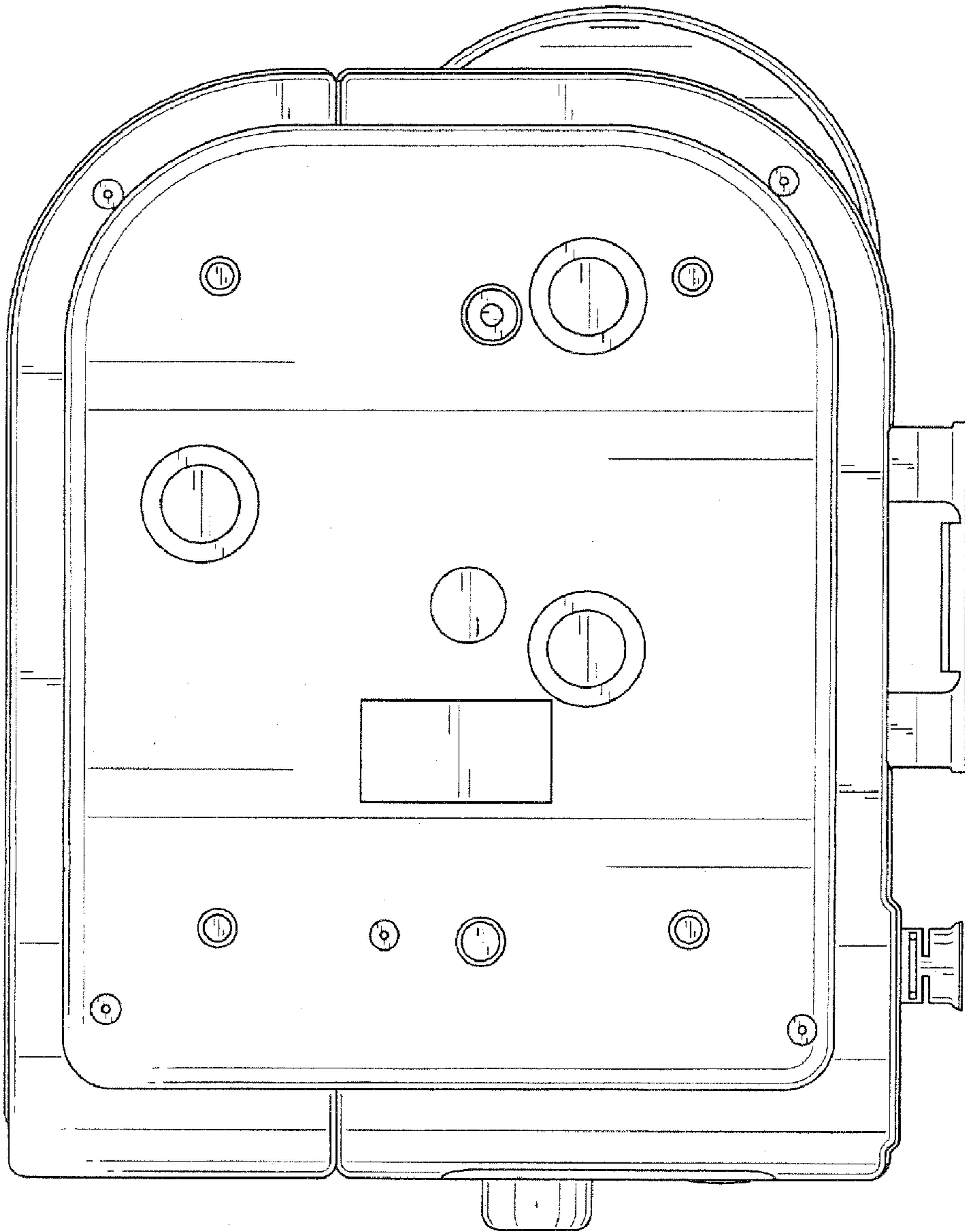


FIG. 8