



US00D568017S

(12) **United States Design Patent**  
**Choi**

(10) **Patent No.:** **US D568,017 S**  
(45) **Date of Patent:** **\*\* Apr. 29, 2008**

(54) **COMBINED IRON AND ACCESSORY BRUSH THEREFOR**

(75) Inventor: **Lung Wai Choi**, Kowloon (HK)

(73) Assignee: **Goodway Electrical Co. Ltd.**,  
Kowloon (HK)

(\*\*) Term: **14 Years**

(21) Appl. No.: **29/202,792**

(22) Filed: **Apr. 2, 2004**

(51) **LOC (8) Cl.** ..... **08-99**

(52) **U.S. Cl.** ..... **D32/35; D32/69**

(58) **Field of Classification Search** ..... D32/35,  
D32/71-73, 68-69; 38/15, 77.1-77.2, 79,  
38/71-72, 99, 96; 248/117.1-117.7; 219/245-247  
See application file for complete search history.

(56) **References Cited**

U.S. PATENT DOCUMENTS

4,366,367	A *	12/1982	Mazzucco	.....	392/335
D279,416	S	6/1985	Chan		
4,688,340	A *	8/1987	Ostrelich	.....	38/90
D365,418	S	12/1995	Wai		
D365,899	S	1/1996	Wai		
D371,877	S	7/1996	Wai		
D379,702	S *	6/1997	Gudefin et al.	.....	D32/73
D416,655	S *	11/1999	Lin	.....	D32/70
6,172,335	B1 *	1/2001	Goodrich	.....	219/251
D440,367	S	4/2001	Choi		
D441,930	S	5/2001	Choi		
D443,962	S *	6/2001	Cahen	.....	D32/68
D455,533	S	4/2002	Choi		
D455,879	S	4/2002	Choi		
D459,041	S *	6/2002	Foersterling	.....	D32/35
D463,891	S	10/2002	Choi		
D466,260	S *	11/2002	Wu	.....	D32/69
D470,635	S	2/2003	Choi		
D480,524	S *	10/2003	Wendt	.....	D32/69
D481,503	S	10/2003	Choi		
D511,232	S *	11/2005	Santillan et al.	.....	D32/35
D531,774	S *	11/2006	Grossi	.....	D32/70

\* cited by examiner

*Primary Examiner*—Pamela J. Burgess

(74) *Attorney, Agent, or Firm*—Klarquist Sparkman, LLP

(57) **CLAIM**

The ornamental design for a combined iron and accessory brush therefor, as shown and described.

**DESCRIPTION**

FIG. 1 is a right side perspective view of a combined iron and accessory brush therefor;

FIG. 2 is a front elevational view thereof

FIG. 3 is a rear elevational view thereof

FIG. 4 is a left side elevational view thereof

FIG. 5 is a right side elevational view thereof;

FIG. 6 is a top plan view thereof;

FIG. 7 is a bottom plan view thereof;

FIG. 8 is a left side perspective view thereof, the iron portion shown in an alternate, extended position

FIG. 9 is a front elevational view thereof;

FIG. 10 is a rear elevational view thereof;

FIG. 11 is a left side elevational view thereof

FIG. 12 is a right side elevational view thereof;

FIG. 13 is a top plan view thereof;

FIG. 14 is a bottom plan view thereof;

FIG. 15 is a left side perspective view of an accessory brush therefor, show separately for clarity of disclosure;

FIG. 16 is a front elevational view thereof;

FIG. 17 is a rear elevational view thereof;

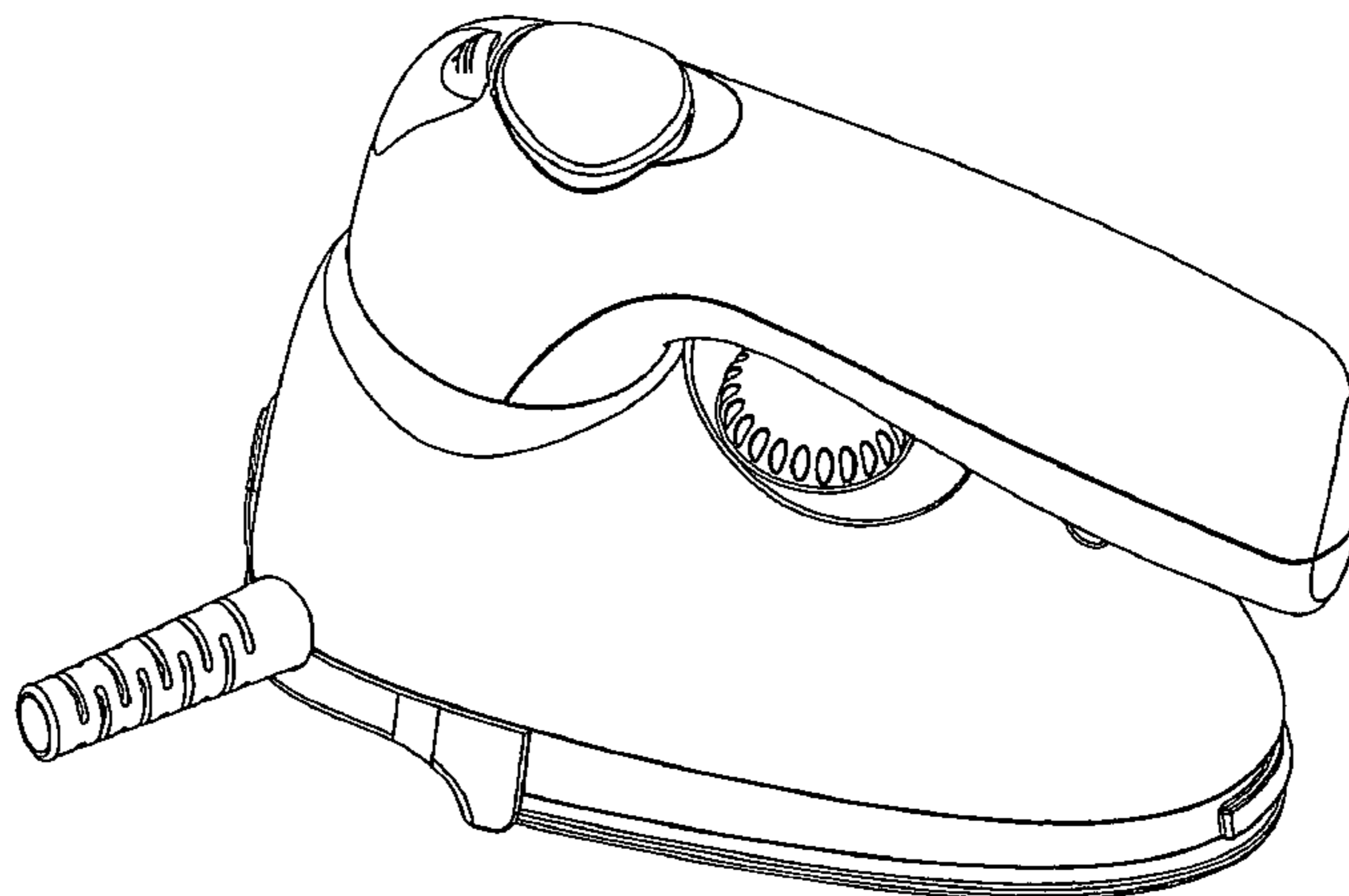
FIG. 18 is a left side elevational view thereof

FIG. 19 is a right side elevational view thereof;

FIG. 20 is a top plan view thereof; and,

FIG. 21 is a bottom plan view thereof.

**1 Claim, 21 Drawing Sheets**



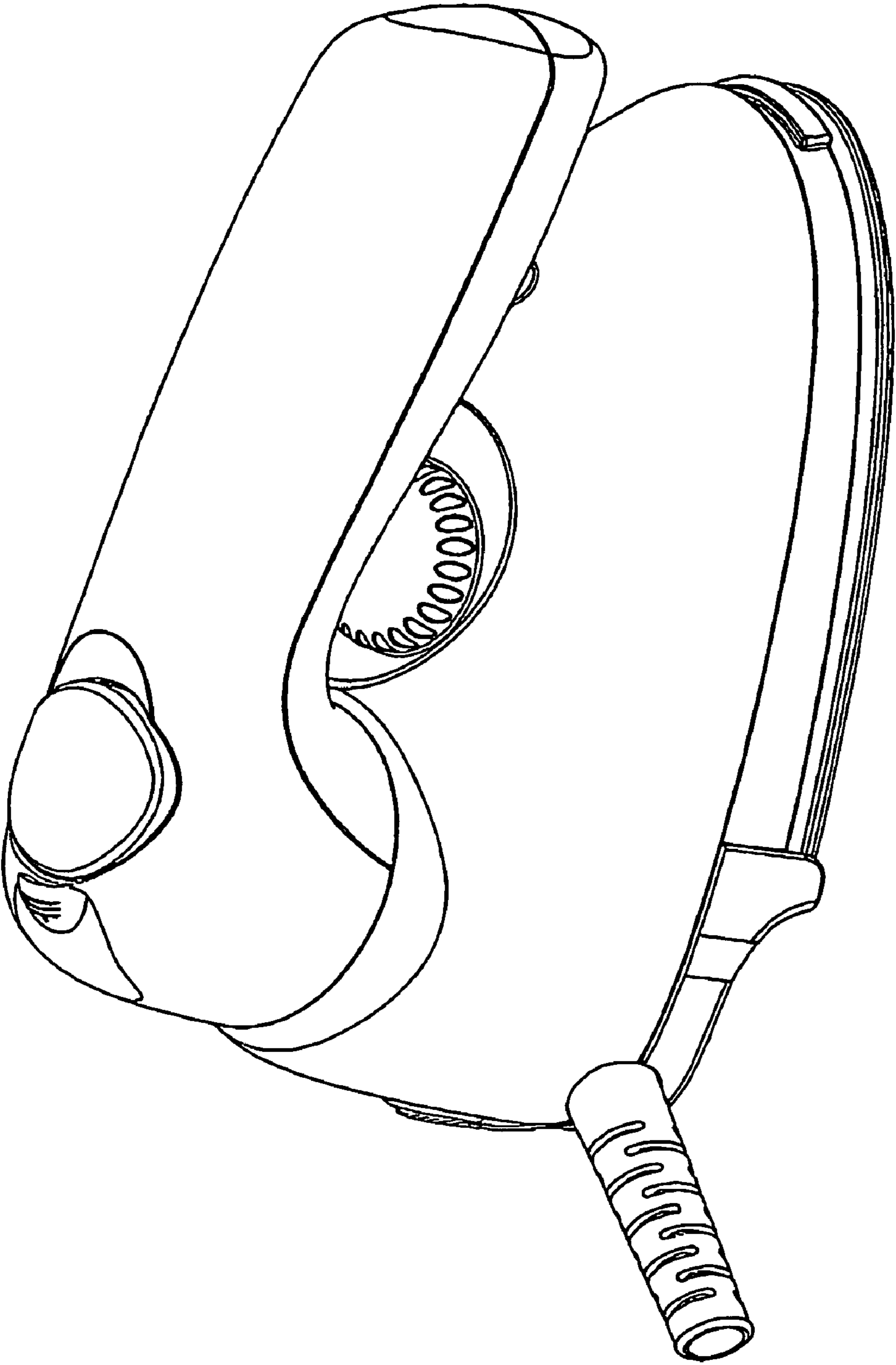
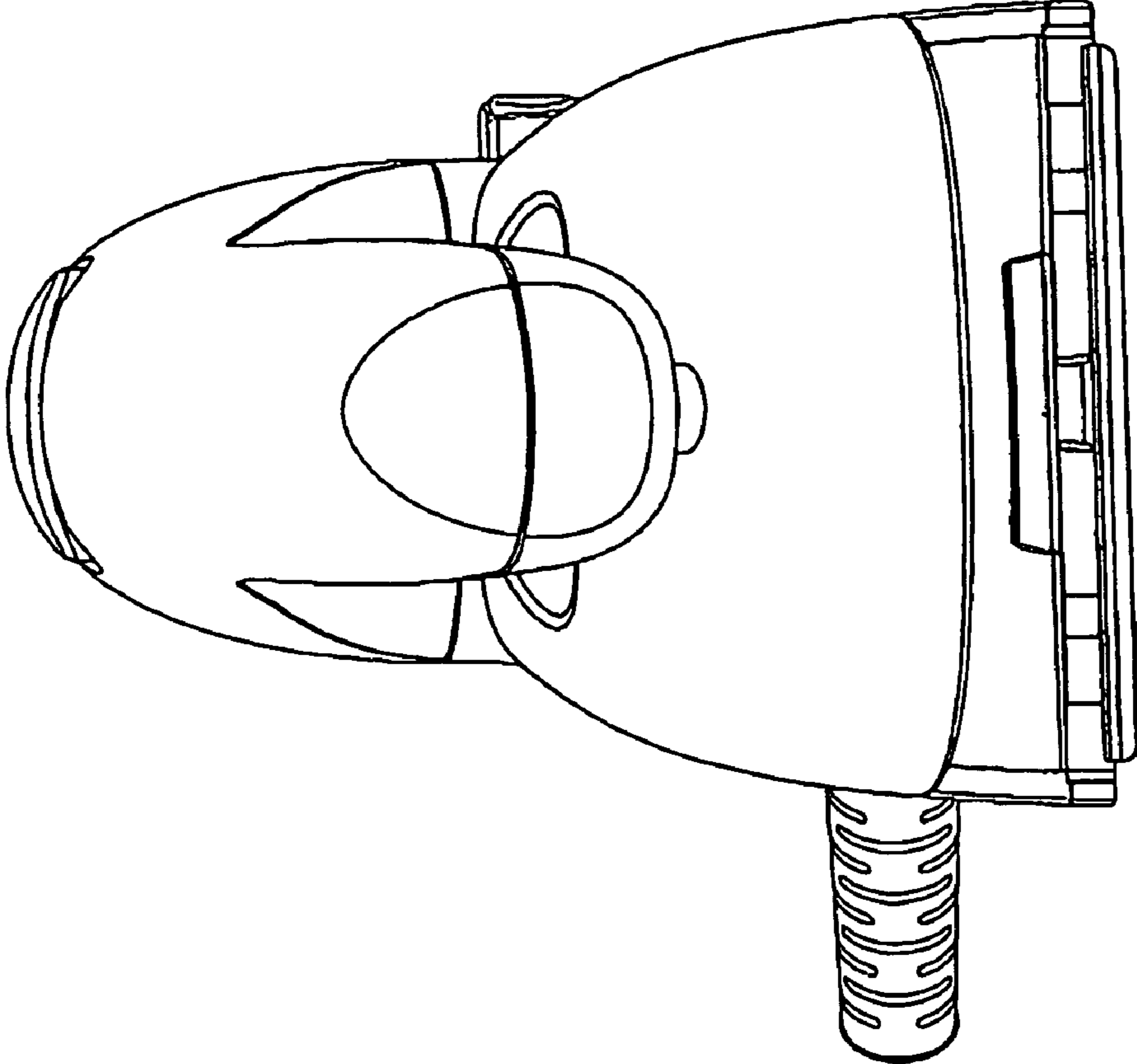
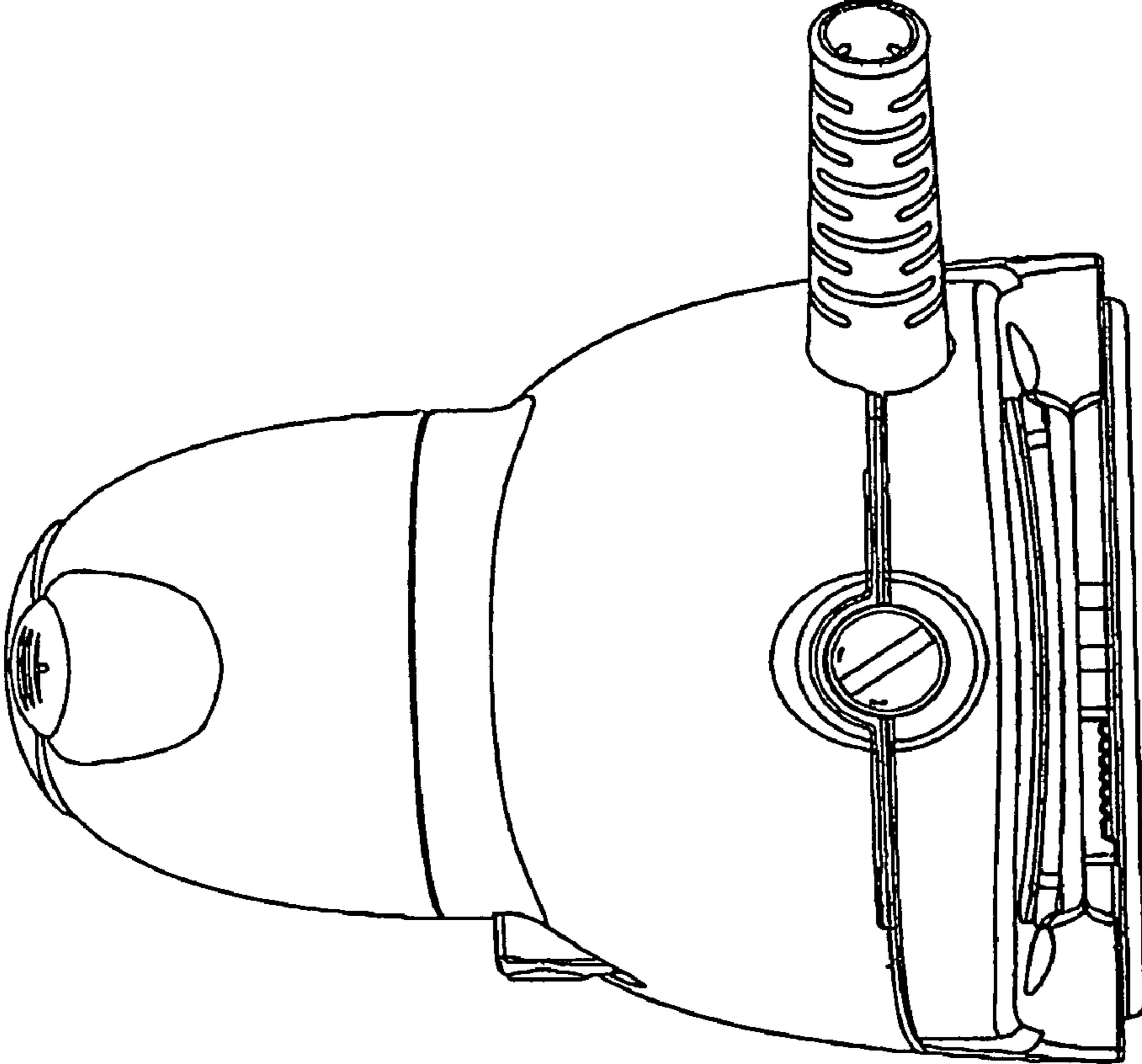


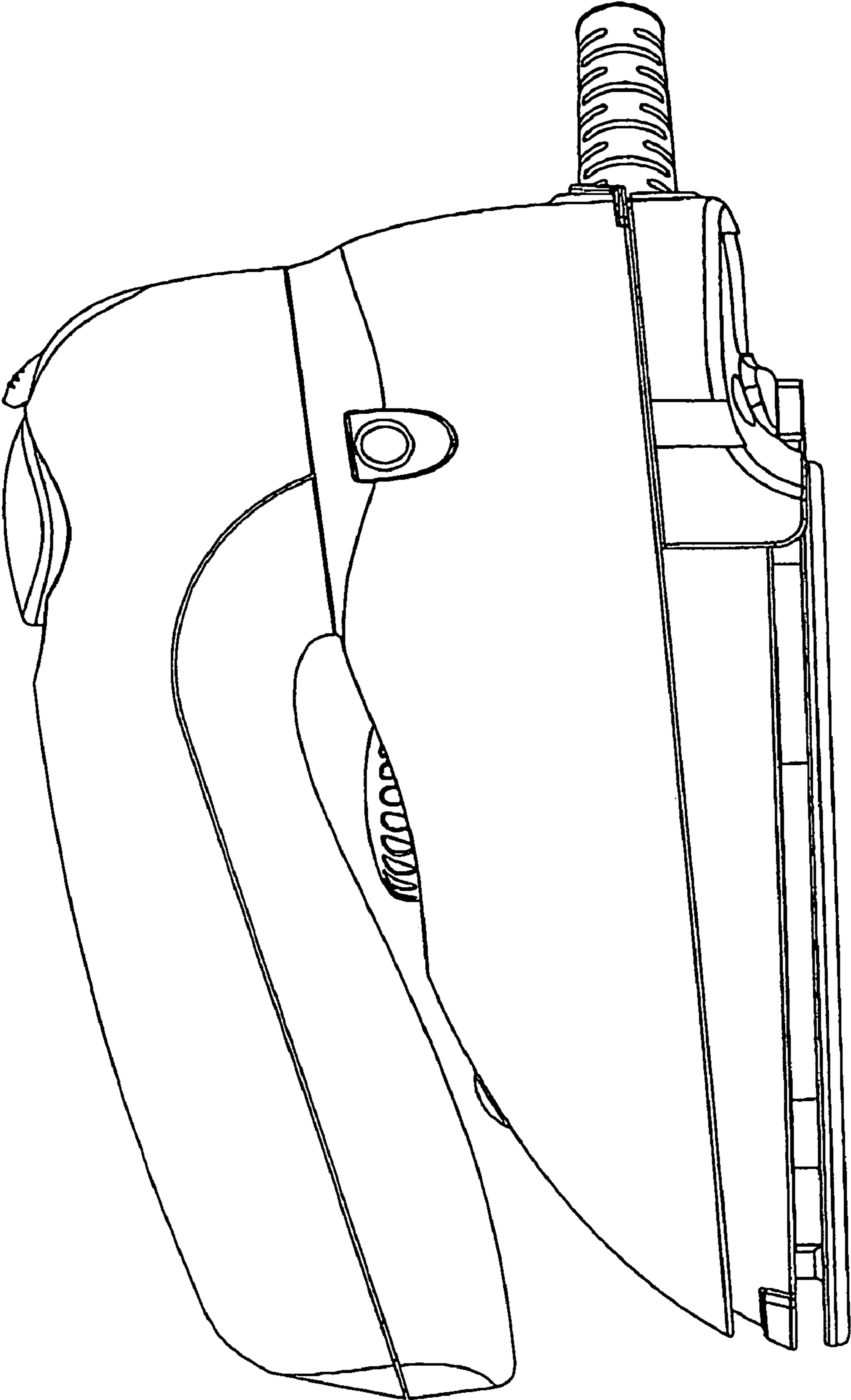
FIG. 1



**FIG. 2**



**FIG. 3**



**FIG. 4**

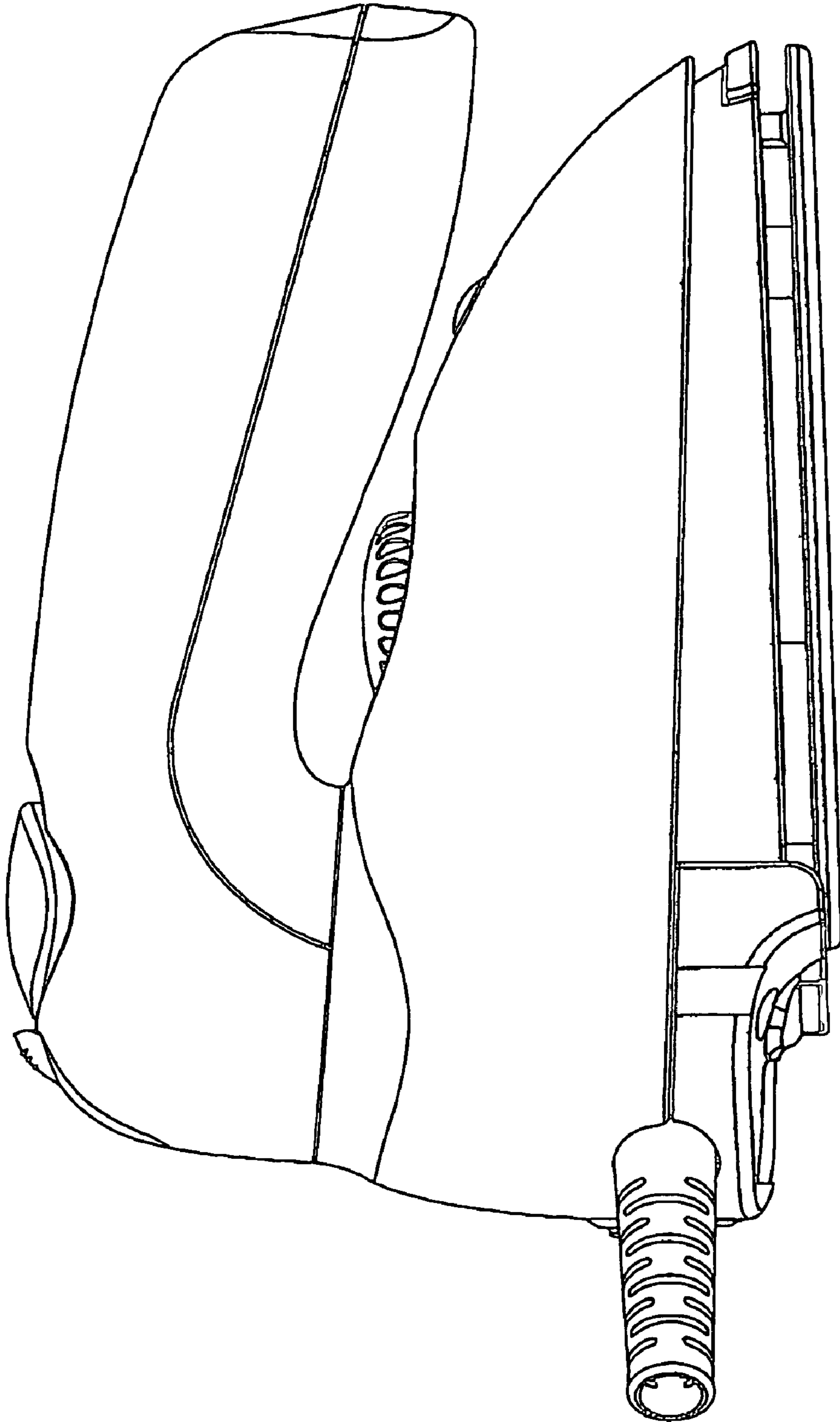
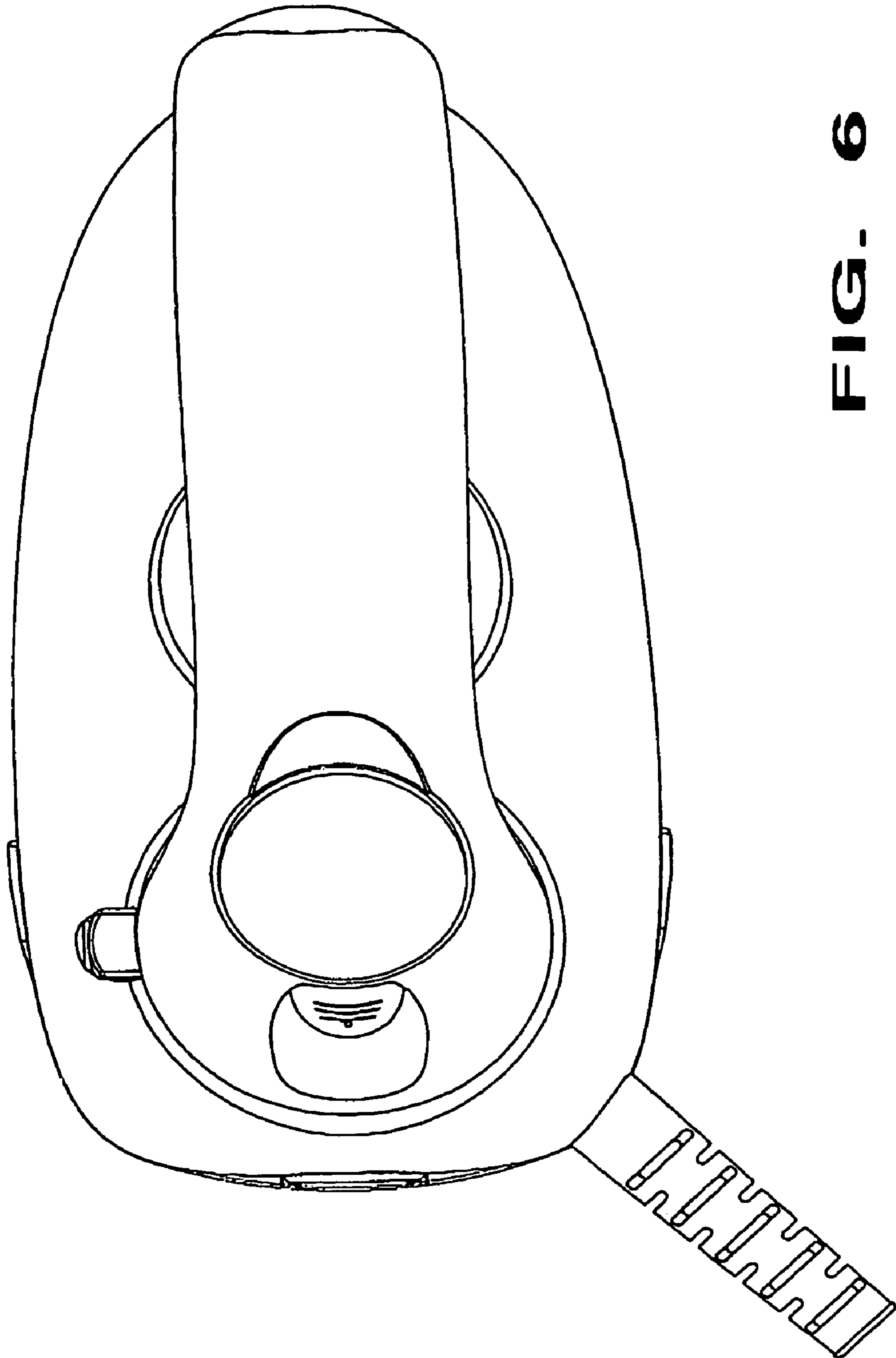


FIG. 5



**FIG. 6**

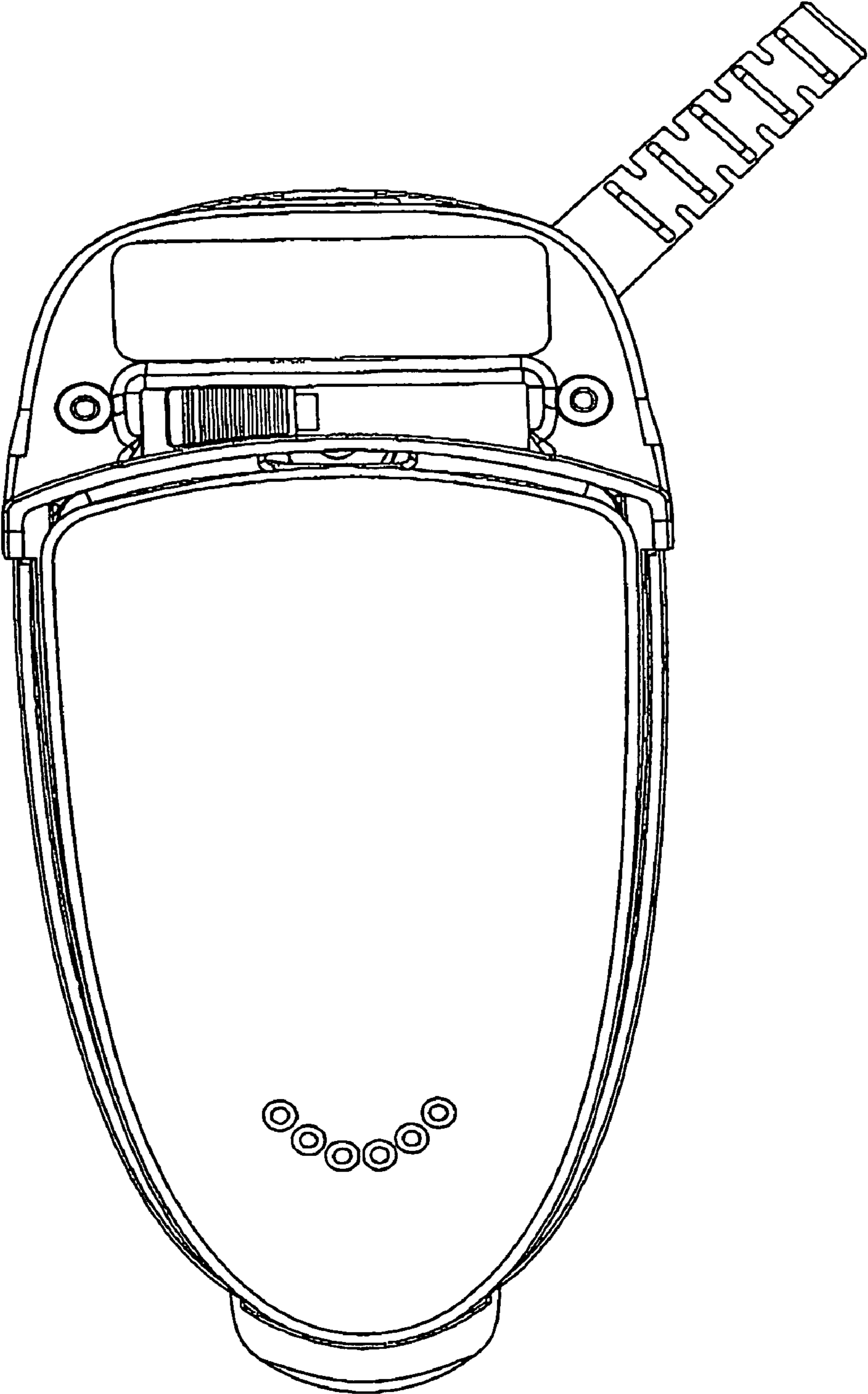


FIG. 7



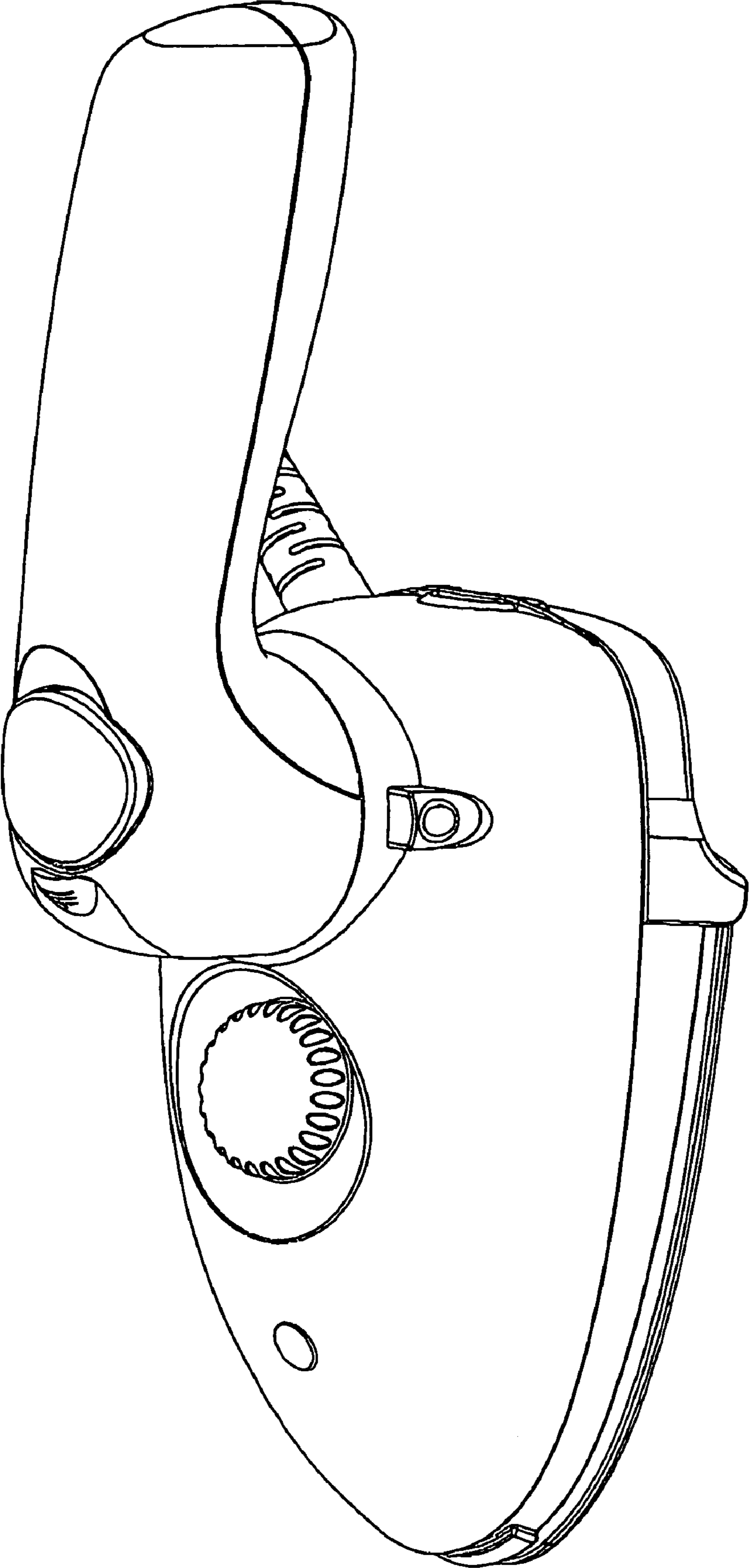
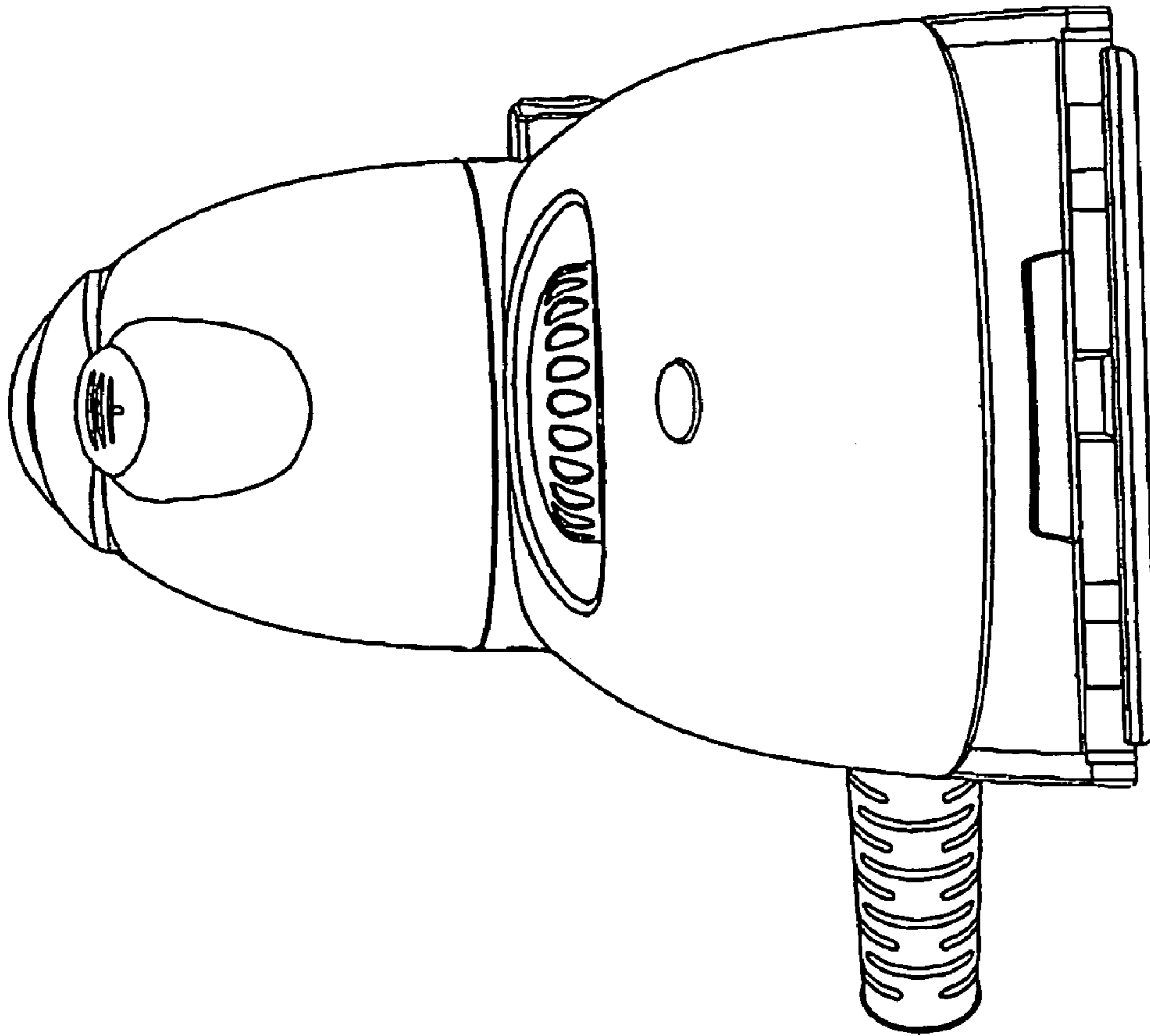
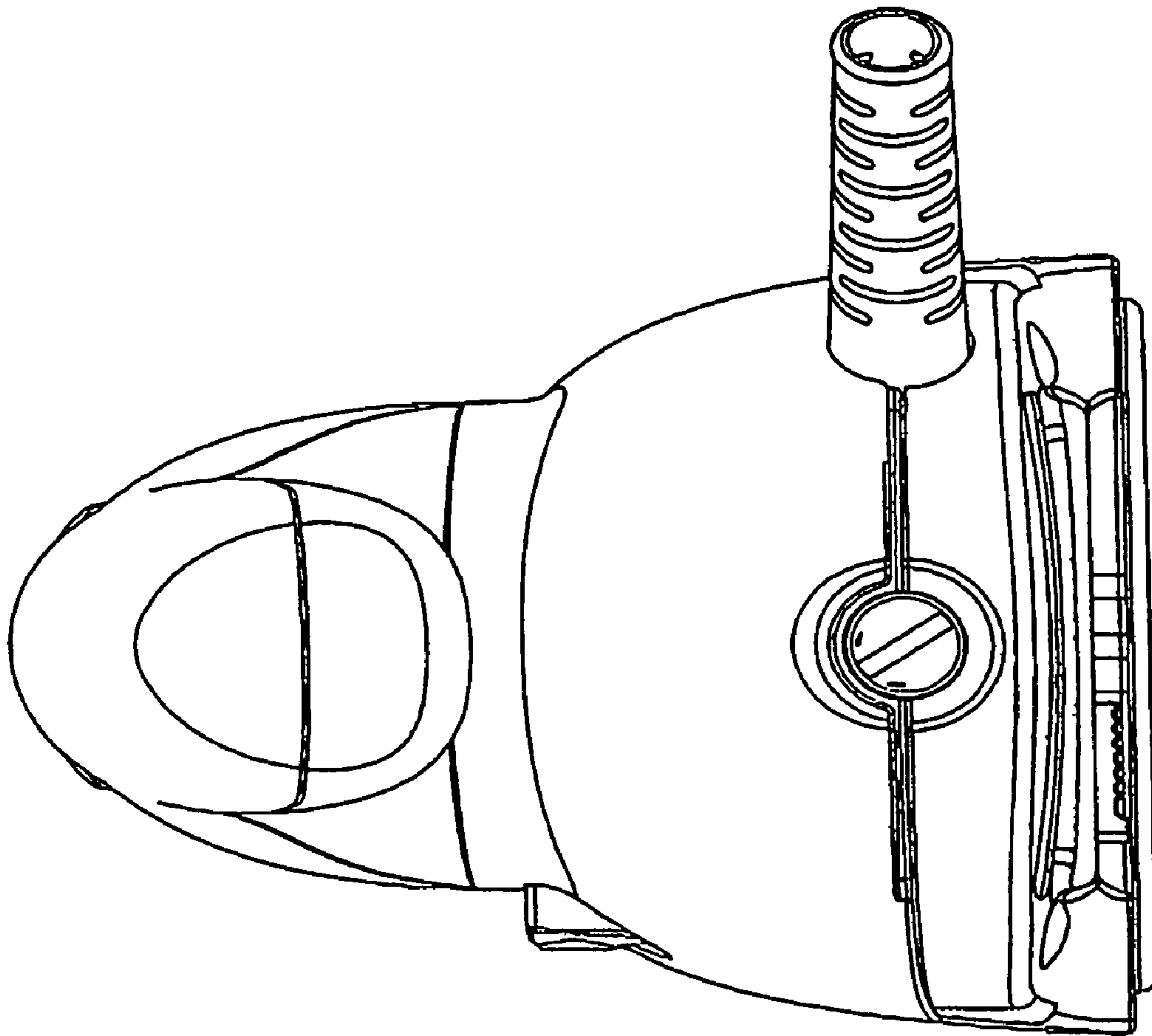


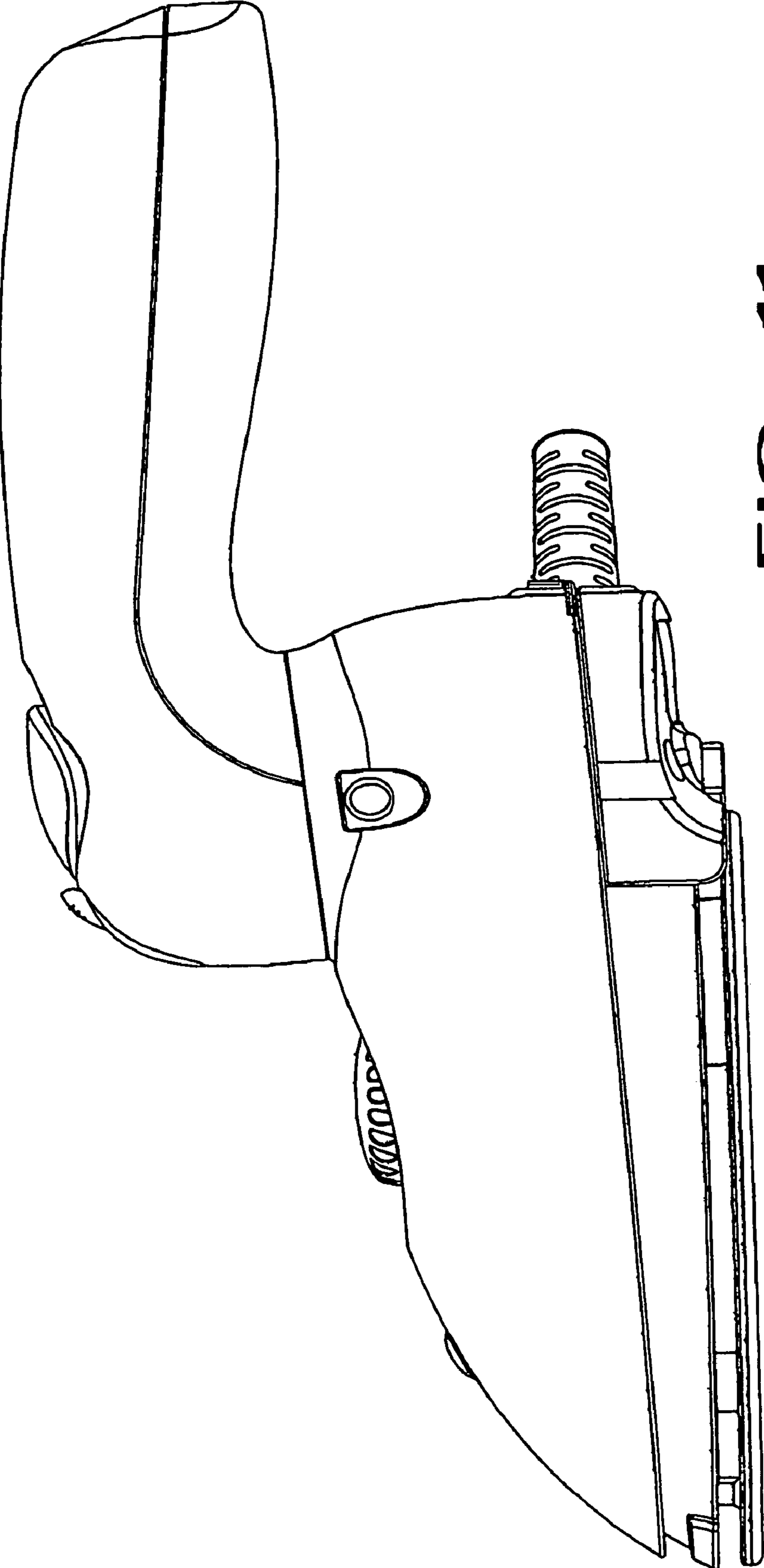
FIG. 8



**FIG. 9**



**FIG. 10**



**FIG. 11**

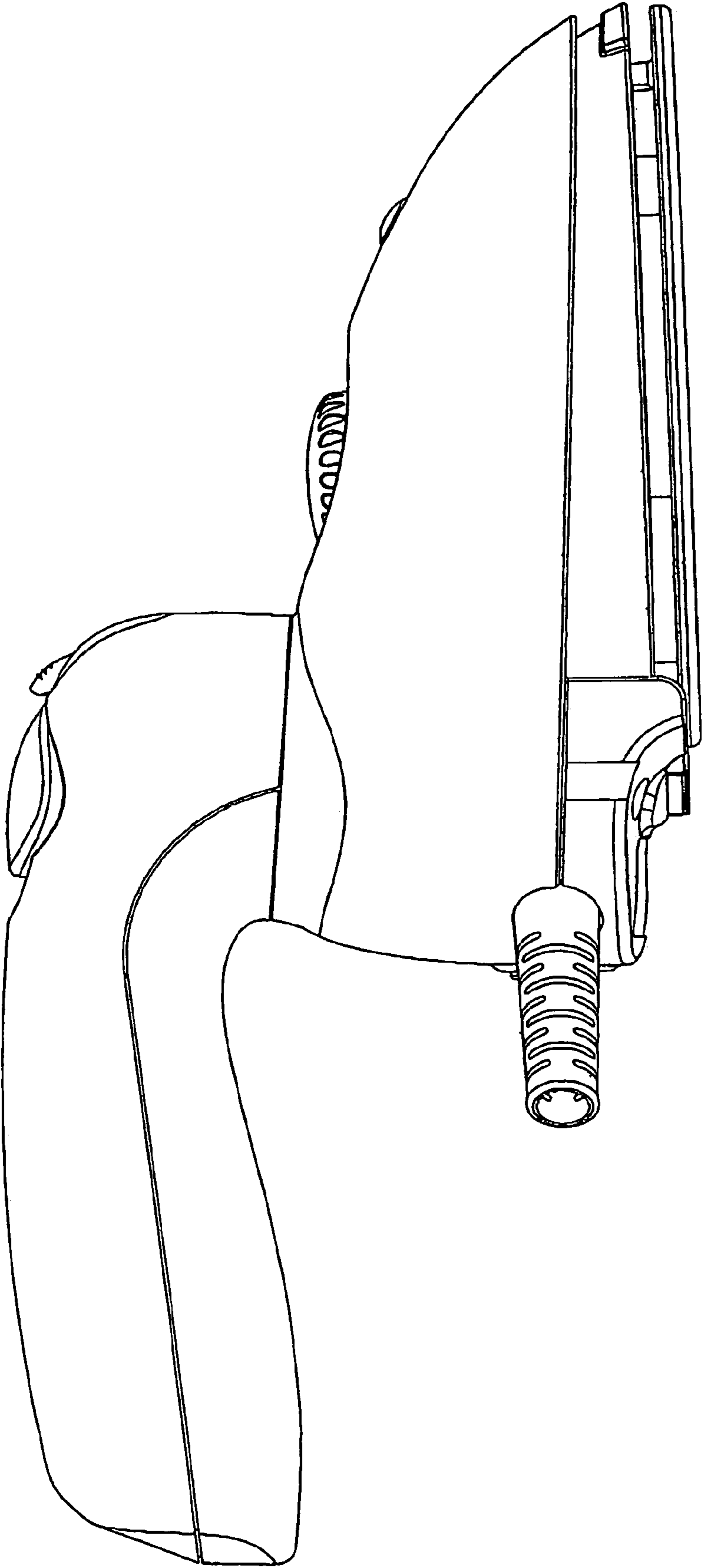


FIG. 12

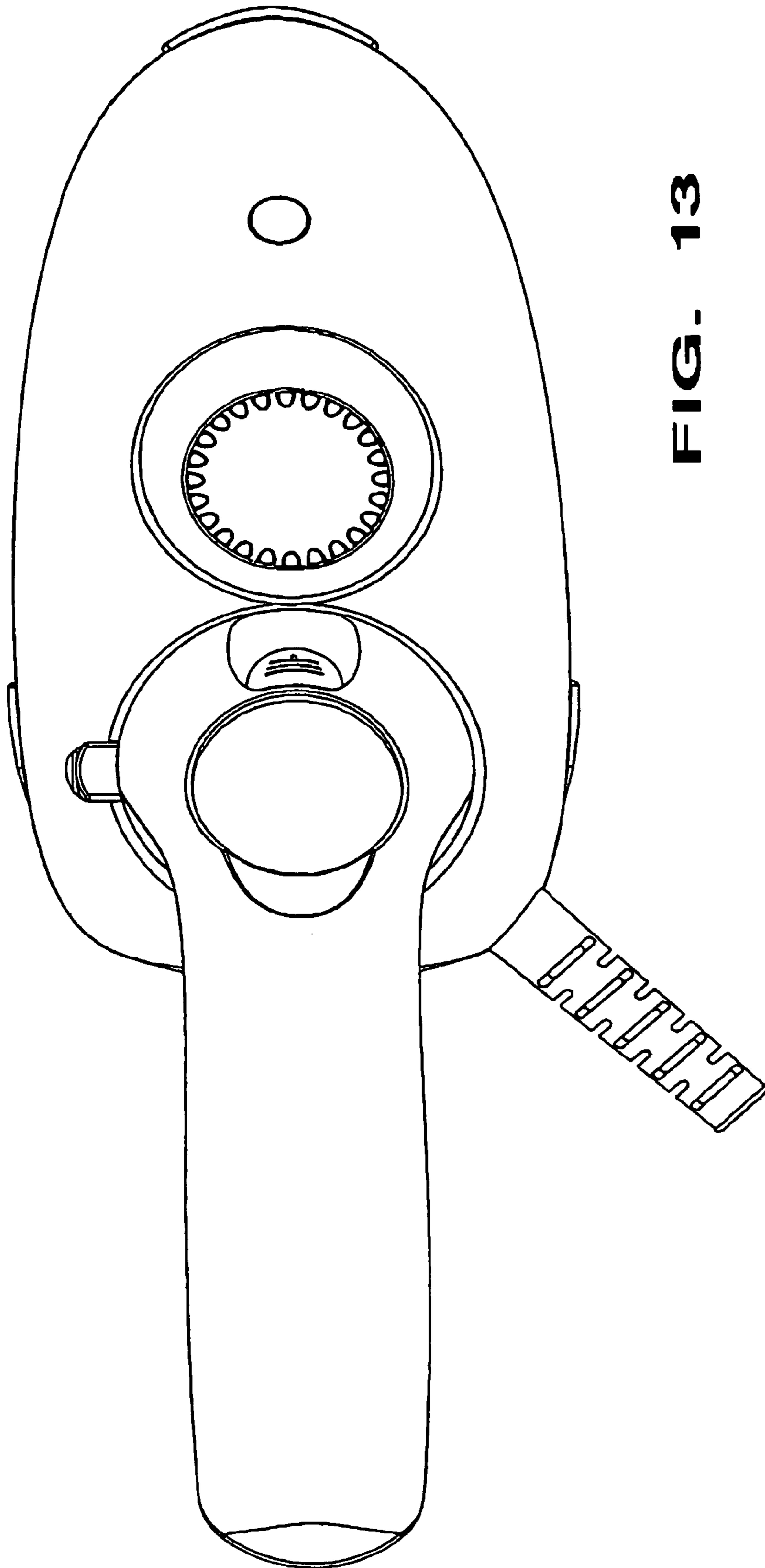
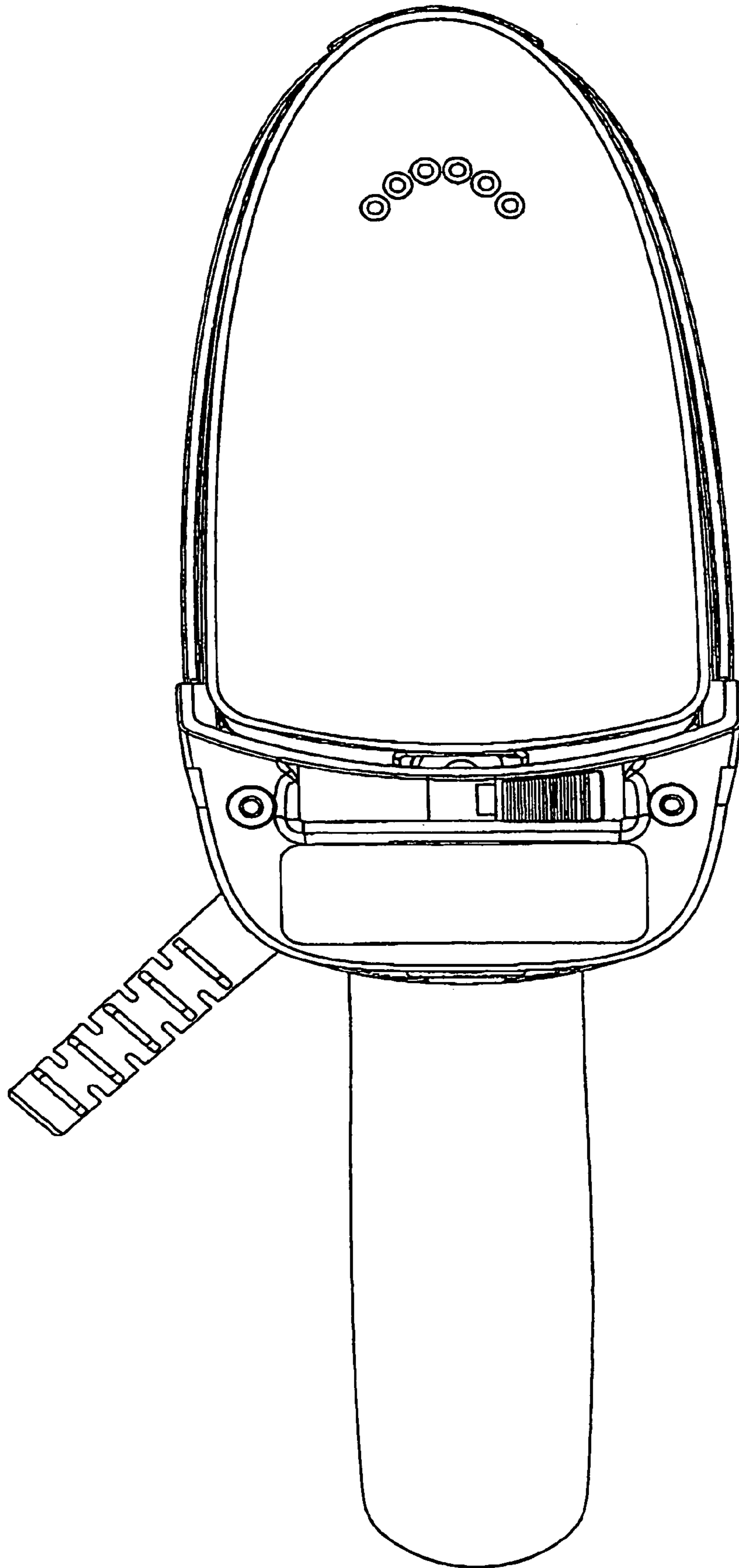


FIG. 13



**FIG. 14**

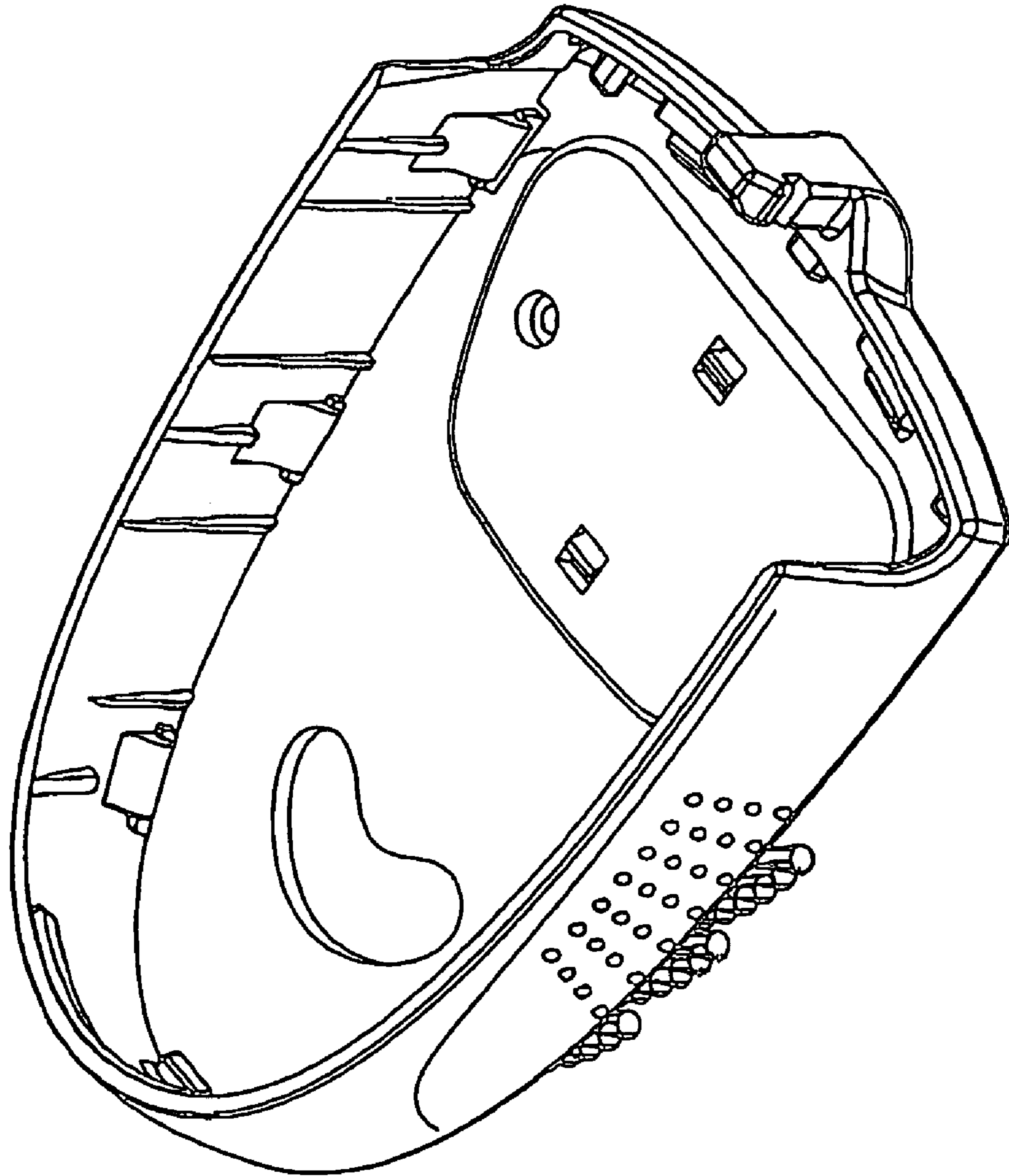
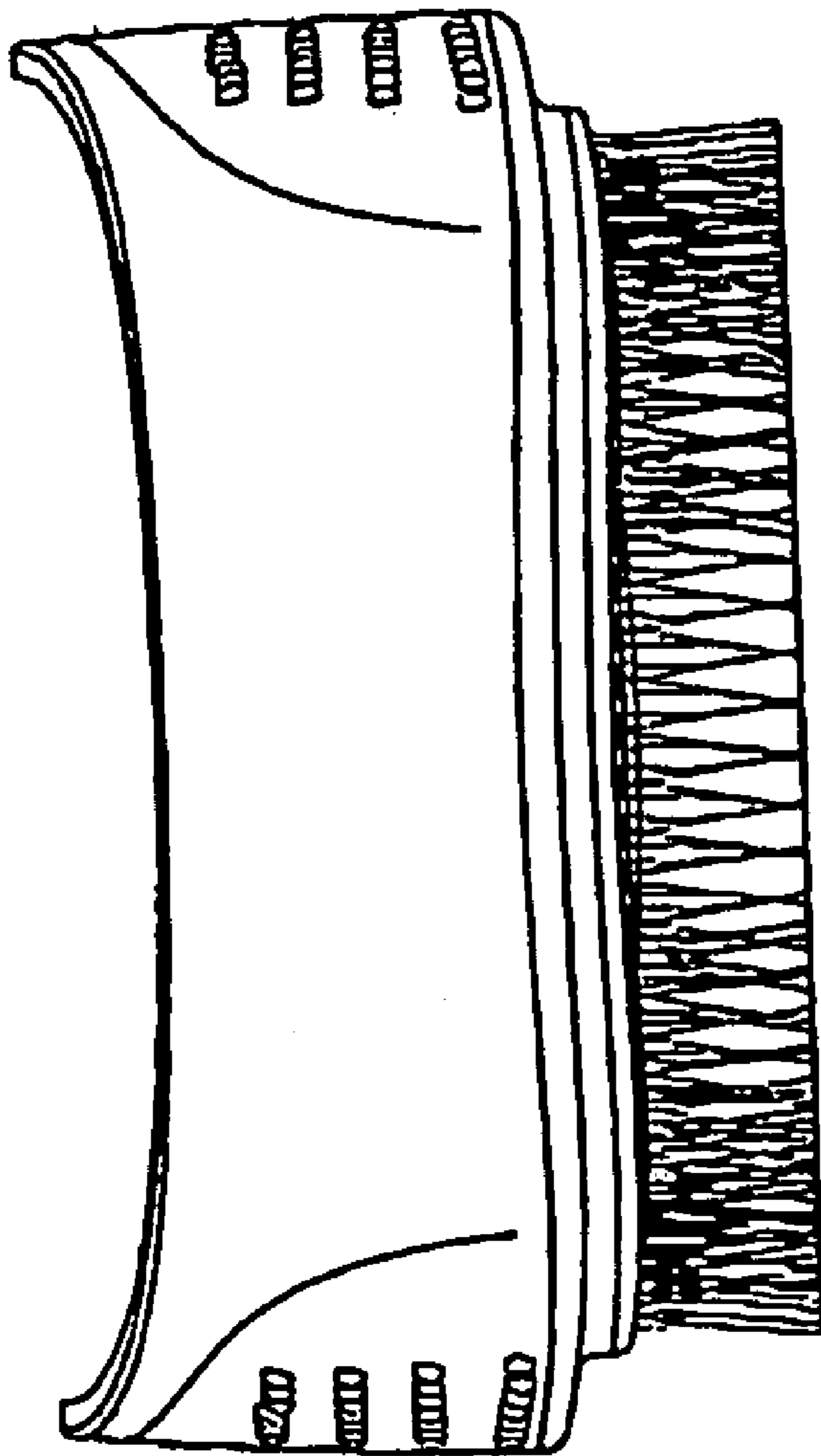
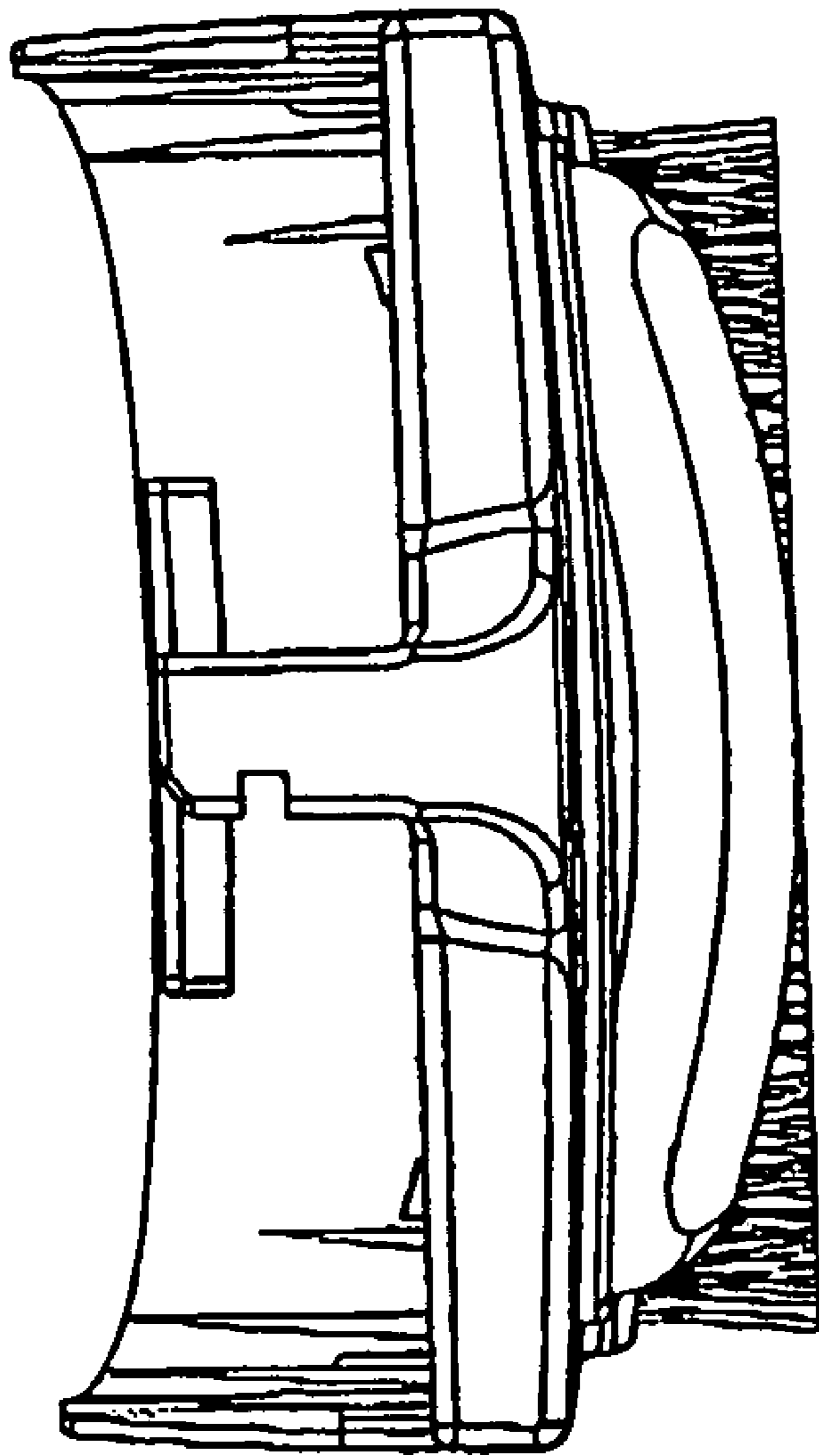


FIG. 15

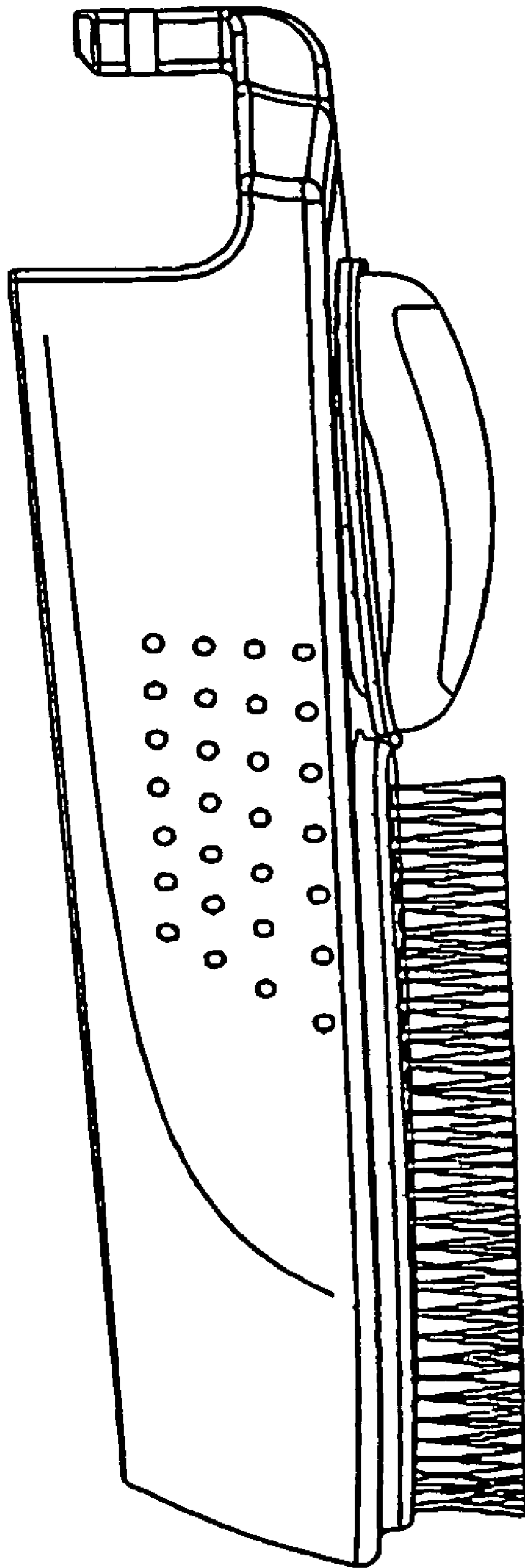




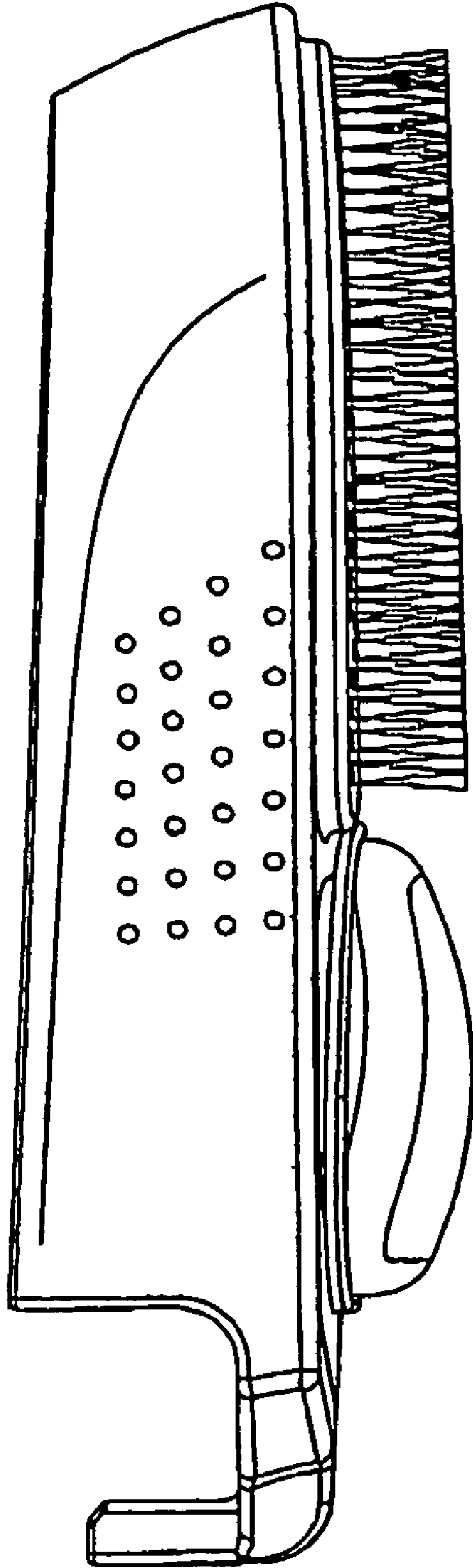
**FIG. 16**



**FIG. 17**



**FIG. 18**



**FIG. 19**

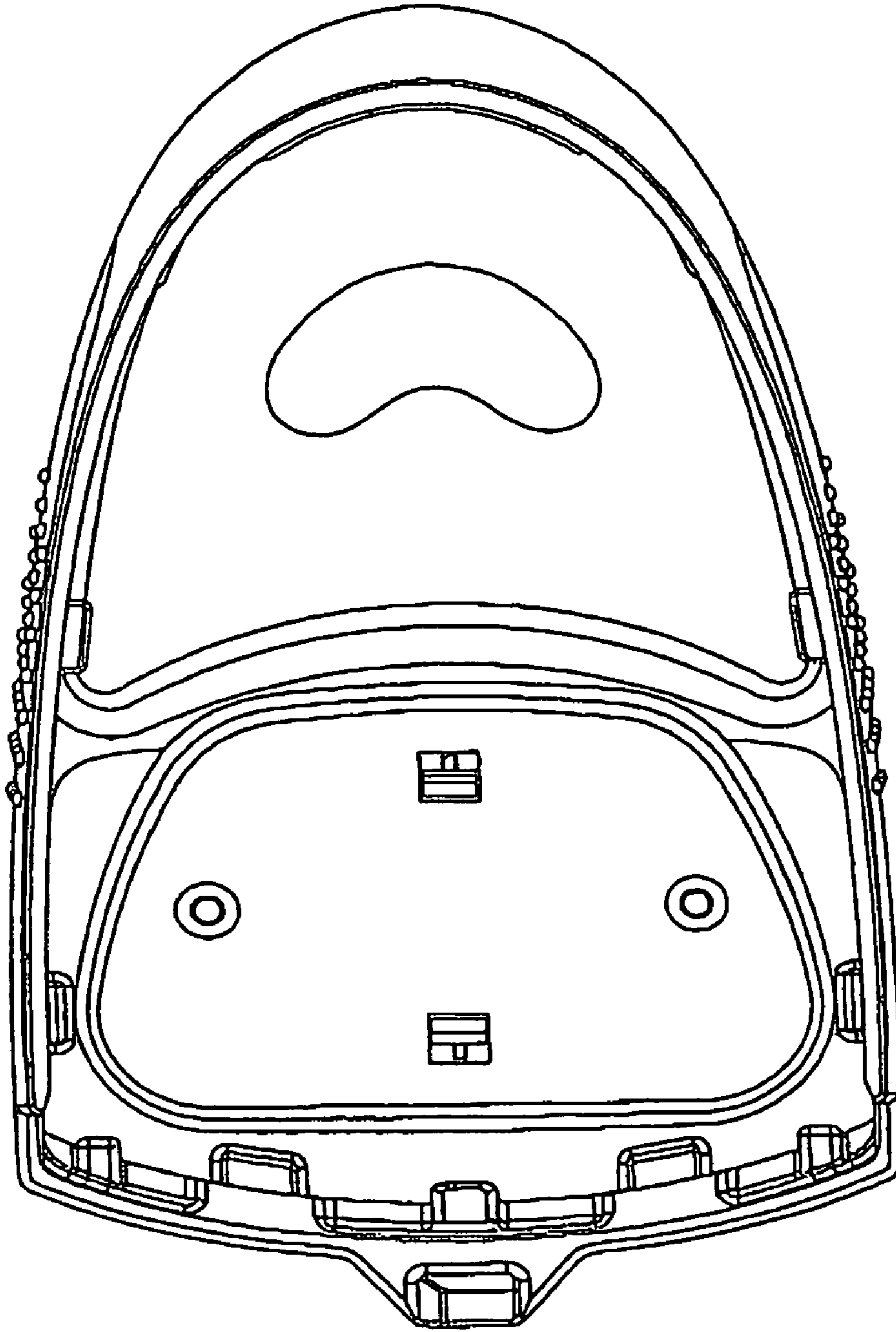
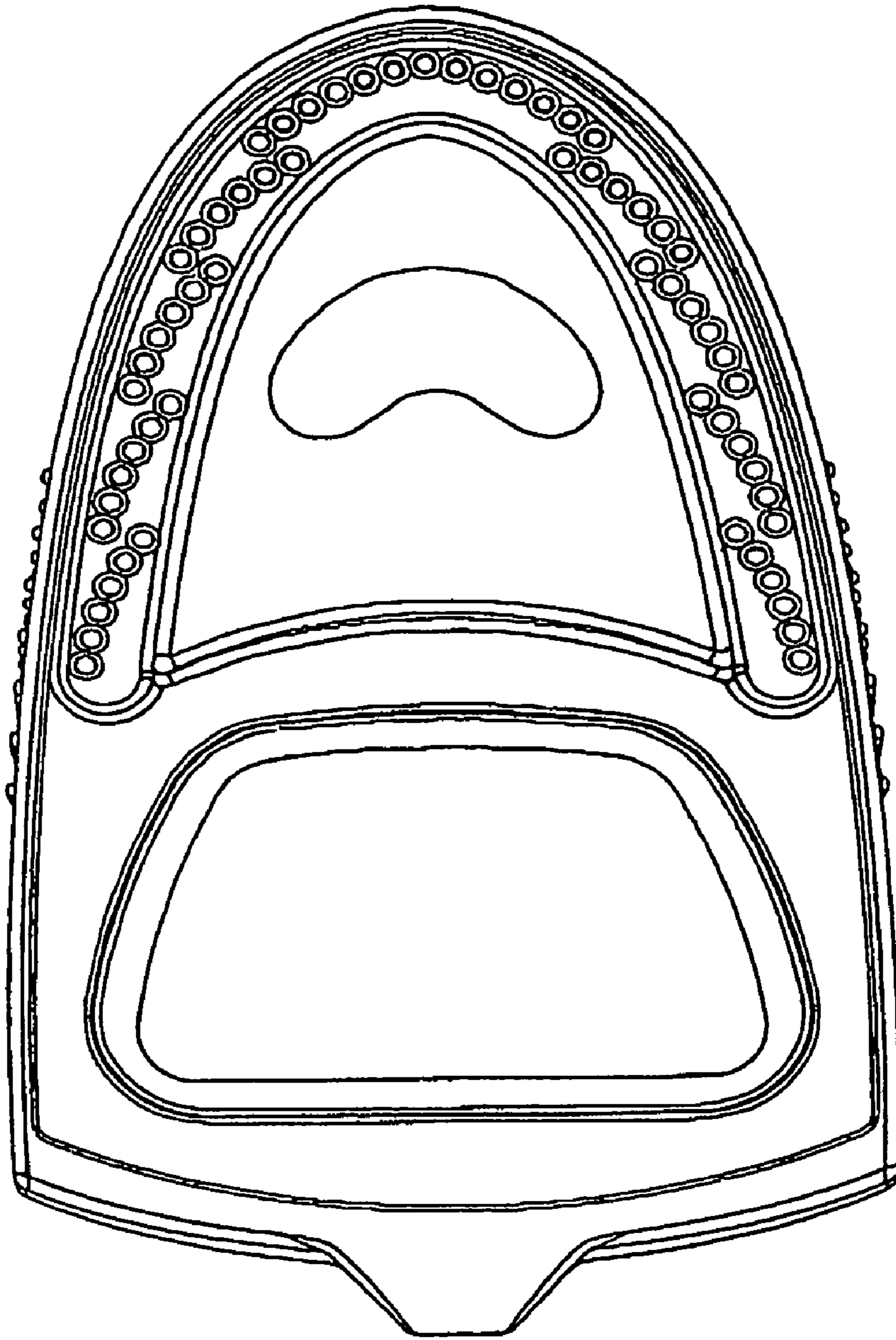


FIG. 20



**FIG. 21**