

US00D568016S

(12) **United States Design Patent**
Ponikvar et al.

(10) **Patent No.:** **US D568,016 S**
(45) **Date of Patent:** **** Apr. 29, 2008**

(54) **BASE FOR A STICK VACUUM CLEANER**

(75) Inventors: **Suzanne Ponikvar**, South Euclid, OH (US); **Matthew Joseph Doerfler**, Wooster, OH (US); **Jack W. Gee, II**, Willoughby, OH (US); **David Matthew Collins**, Lyndhurst, OH (US); **David Khalil**, Highland Heights, OH (US); **Karim Rashid**, New York, NY (US)

(73) Assignee: **Royal Appliance Mfg. Co.**, Glenwillow, OH (US)

(**) Term: **14 Years**

(21) Appl. No.: **29/289,721**

(22) Filed: **Jul. 30, 2007**

(51) **LOC (8) Cl.** **15-05**

(52) **U.S. Cl.** **D32/32**

(58) **Field of Classification Search** D32/22,
D32/31-34, 50-51, 40; 15/321-322, 353,
15/324, 334, 347, 350-352, 415.1-422, 422.1,
15/361, 363, 374, 410-412; 34/84-85, 95.1,
34/633, 635, 638, 229; 55/429, DIG. 3,
55/482, 459.1

See application file for complete search history.

(56) **References Cited**

U.S. PATENT DOCUMENTS

5,347,679 A	9/1994	Saunders et al.	
D359,604 S	6/1995	Sovis et al.	
5,446,943 A	9/1995	Sovis et al.	
5,606,770 A	3/1997	Sovis et al.	
D382,681 S *	8/1997	Thomas	D32/22
D398,097 S	9/1998	Murphy et al.	
D398,099 S *	9/1998	Leung	D32/22

D420,475 S *	2/2000	Yuen	D32/22
D427,736 S	7/2000	Saunders et al.	
D439,383 S	3/2001	Salo et al.	
D463,080 S	9/2002	Farone et al.	
6,497,001 B2	12/2002	Di Nunzio et al.	
D477,446 S	7/2003	Kalman et al.	
D482,506 S *	11/2003	Honda et al.	D32/22
D484,287 S	12/2003	Murphy et al.	
D488,600 S *	4/2004	Pecci et al.	D32/32
6,772,477 B2	8/2004	Murphy et al.	
D507,389 S	7/2005	Kalman et al.	
D515,259 S *	2/2006	Maruyama et al.	D32/22
D544,667 S *	6/2007	Nelson et al.	D32/50
D545,011 S *	6/2007	Ågren et al.	D32/22

* cited by examiner

Primary Examiner—Ruth McInroy

(74) *Attorney, Agent, or Firm*—Fay Sharpe LLP

(57) **CLAIM**

The ornamental design for a base for a stick vacuum cleaner, as shown and described.

DESCRIPTION

FIG. 1 is a reduced perspective view of a base for a stick vacuum cleaner showing our new design;

FIG. 2 is a right side elevational view thereof;

FIG. 3 is a left side elevational view thereof;

FIG. 4 is a front elevational view thereof;

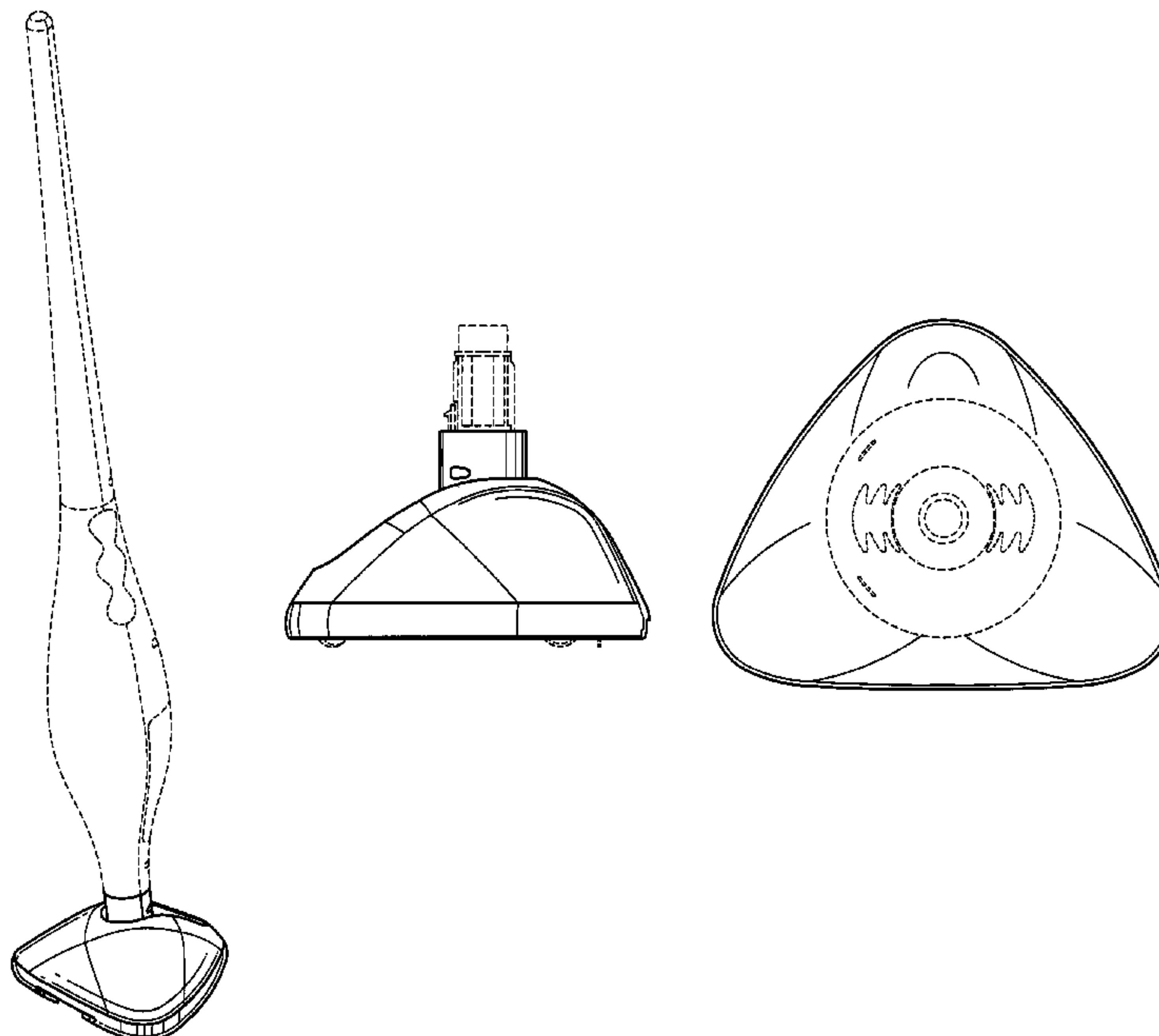
FIG. 5 is a rear elevational view thereof;

FIG. 6 is a top plan view thereof; and,

FIG. 7 is a bottom plan view thereof.

The components outlined in broken lines in the figures form no part of the claimed design.

1 Claim, 3 Drawing Sheets



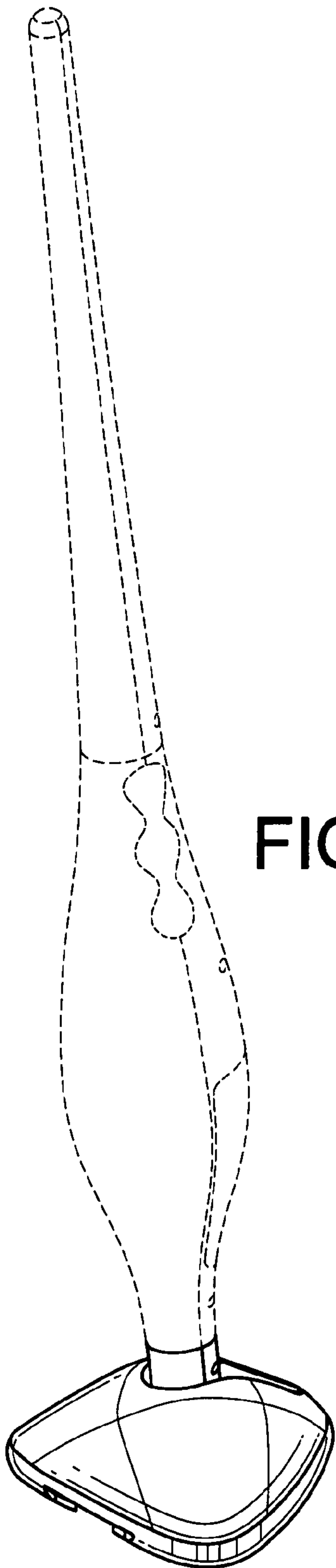


FIG. 1

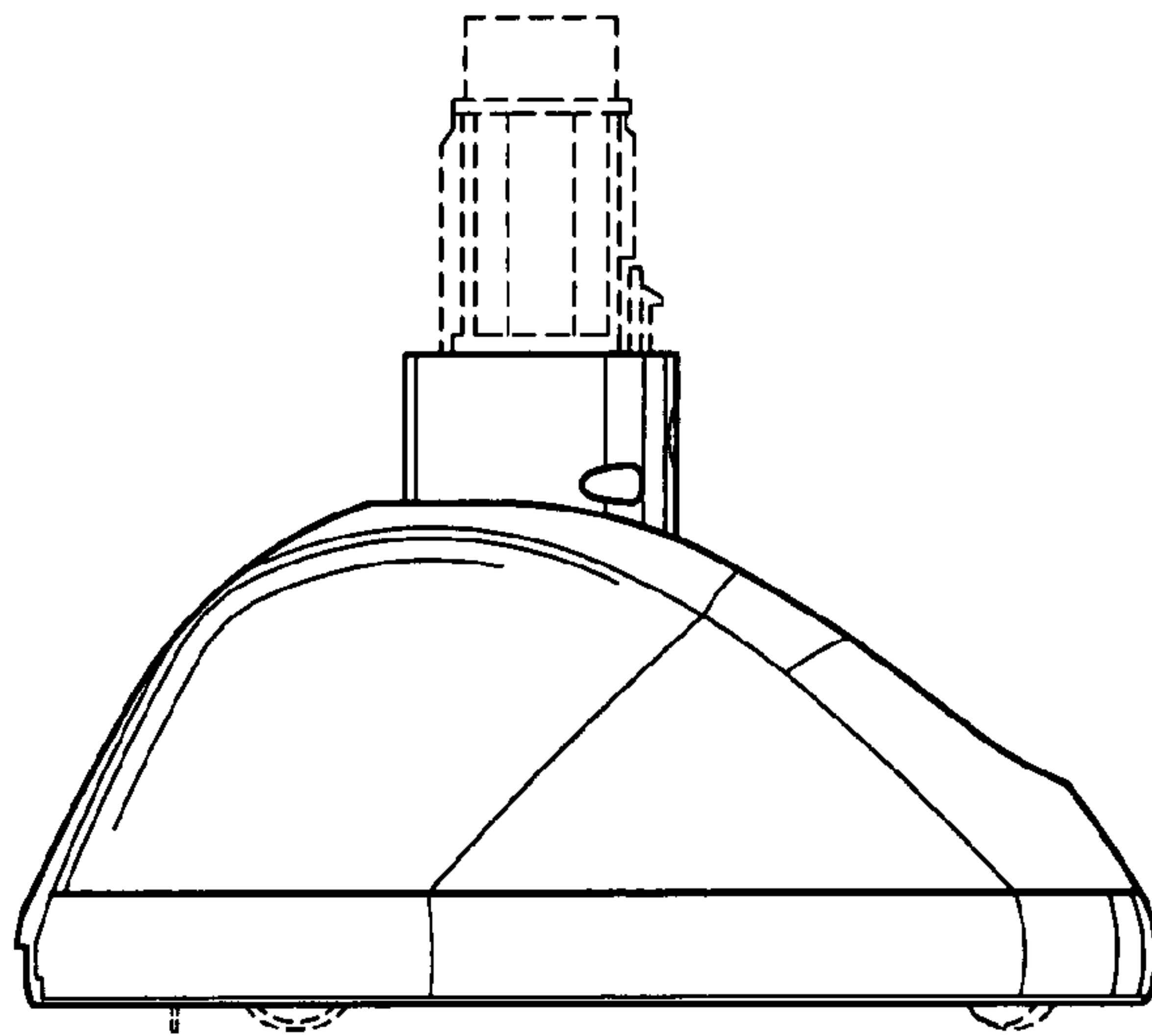


FIG. 2

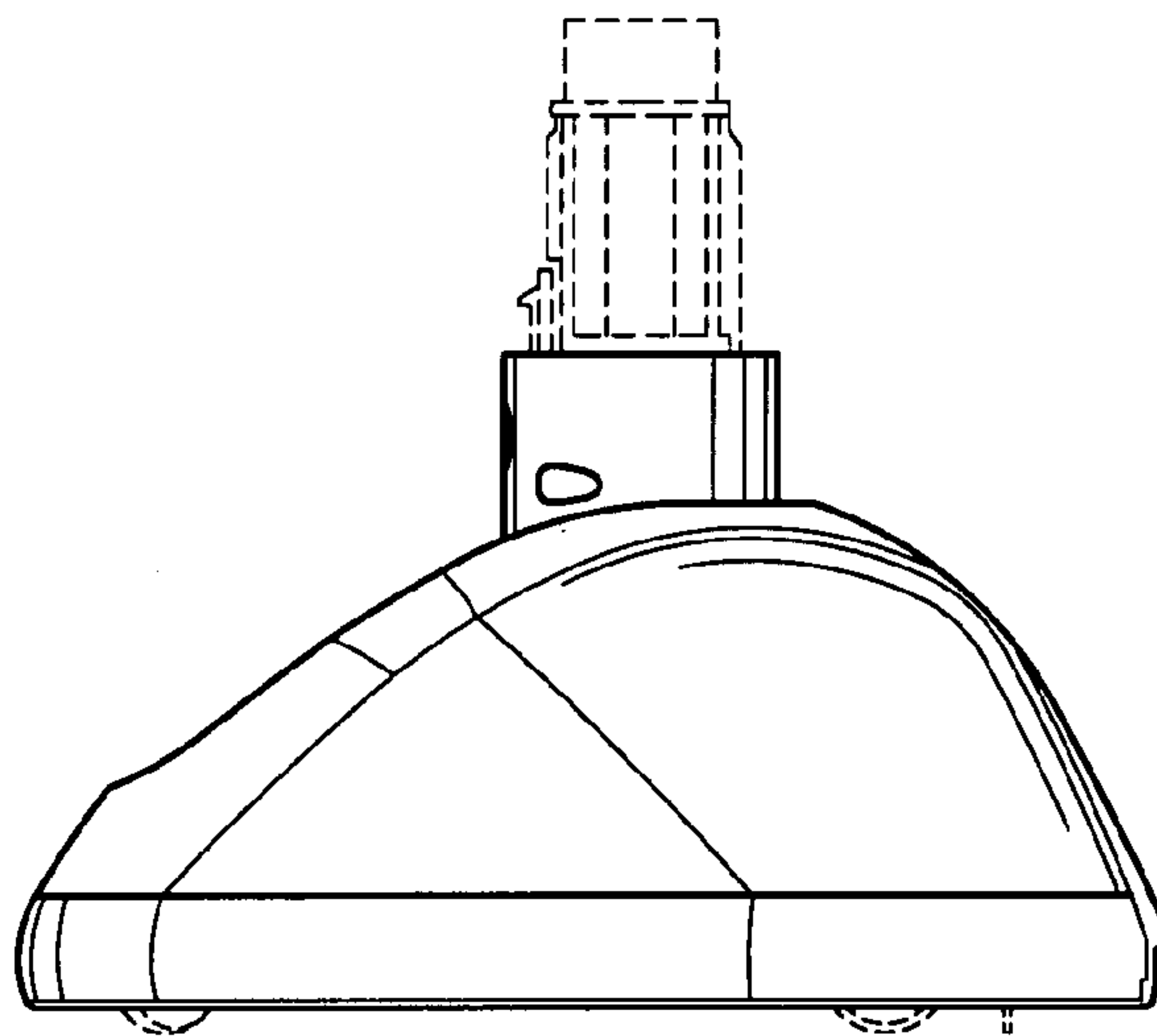


FIG. 3

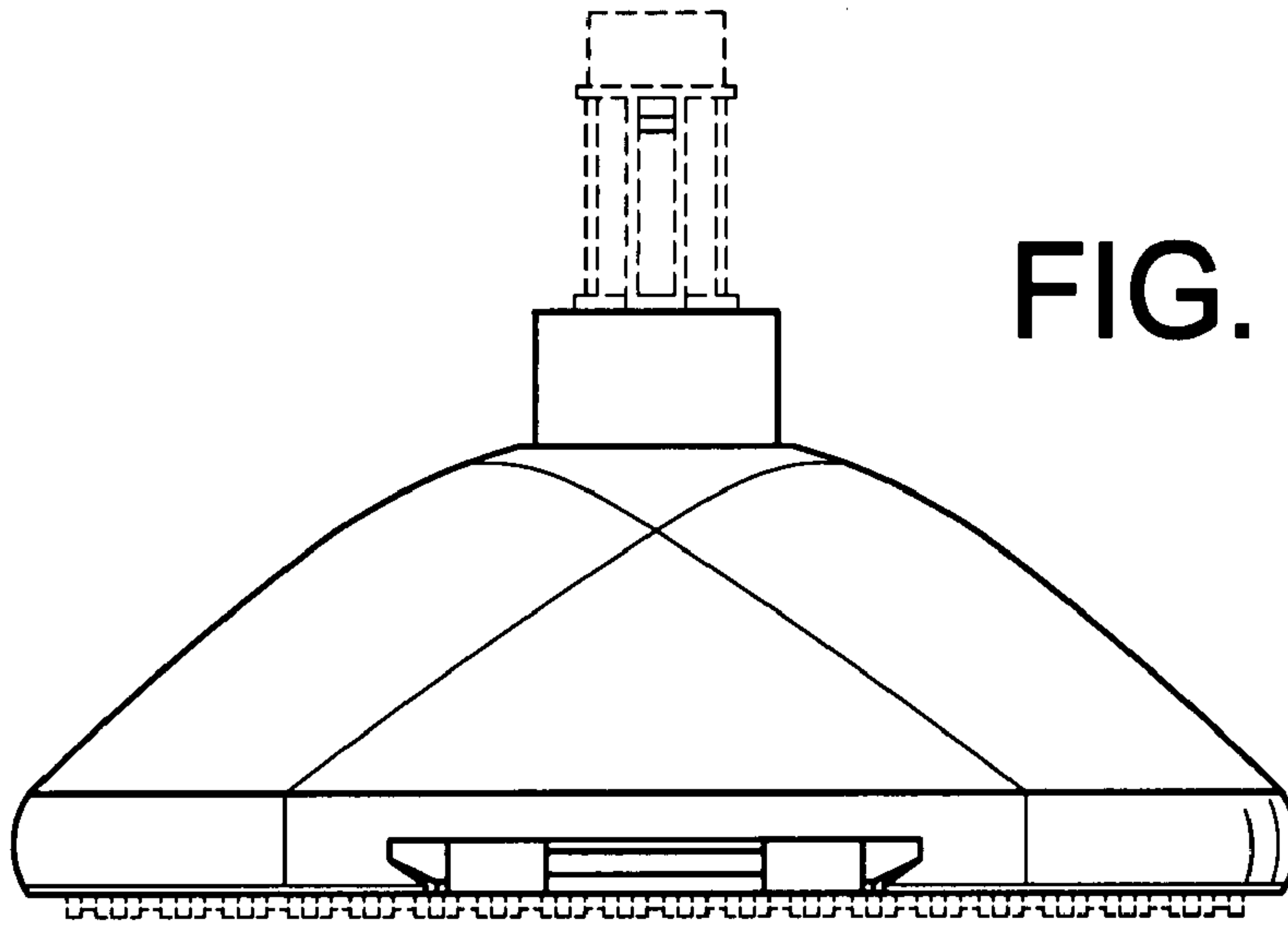


FIG. 4

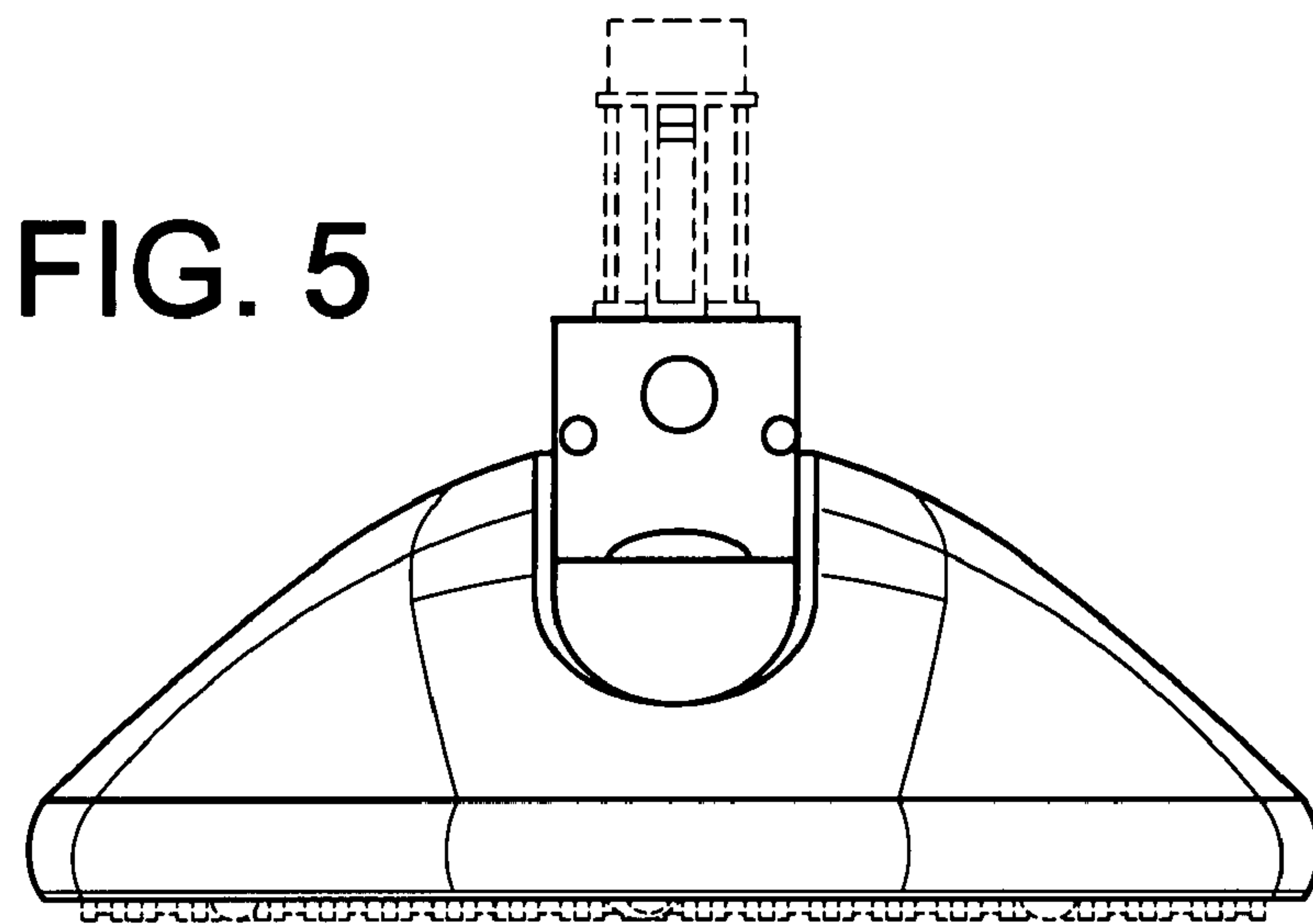


FIG. 5

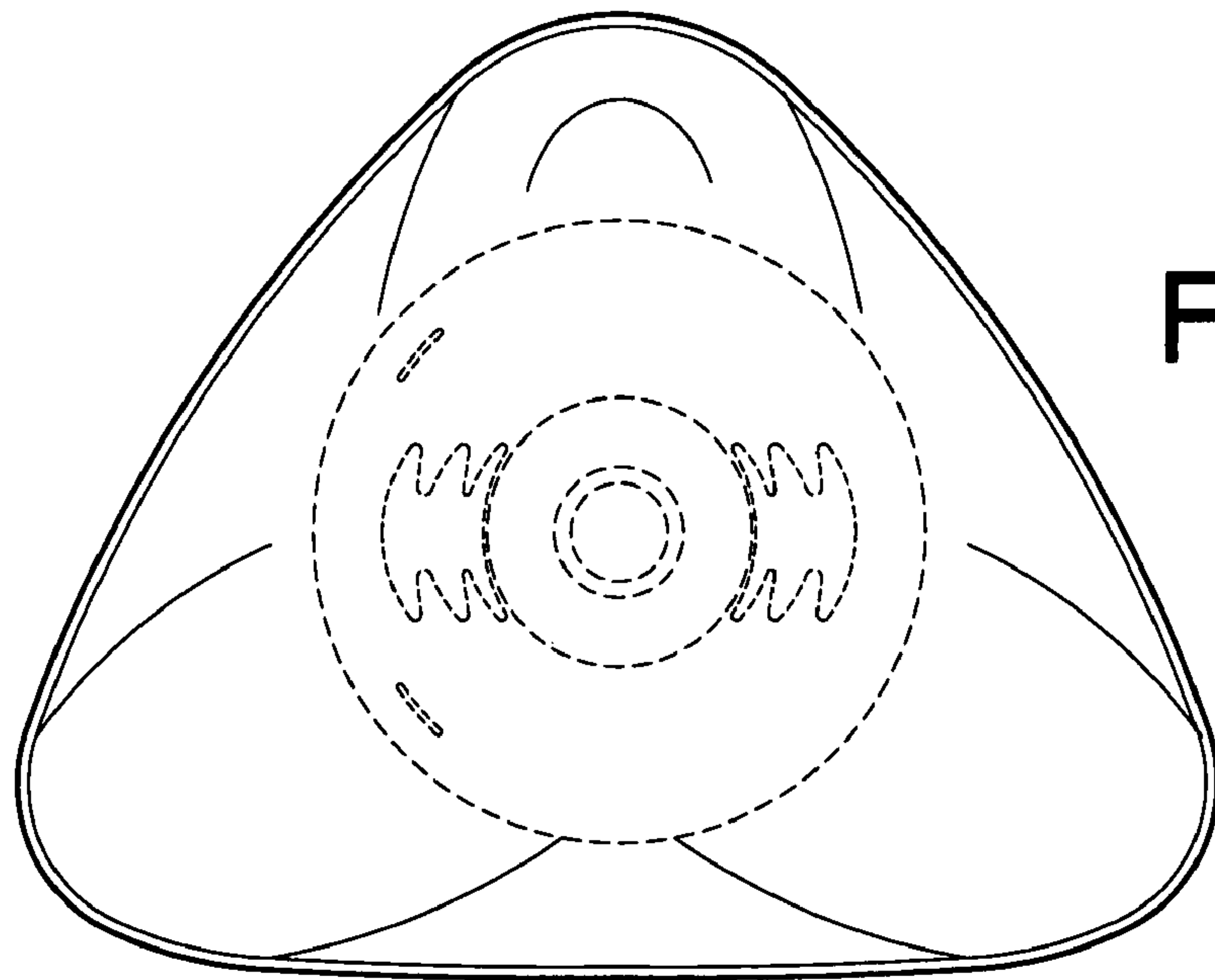


FIG. 6

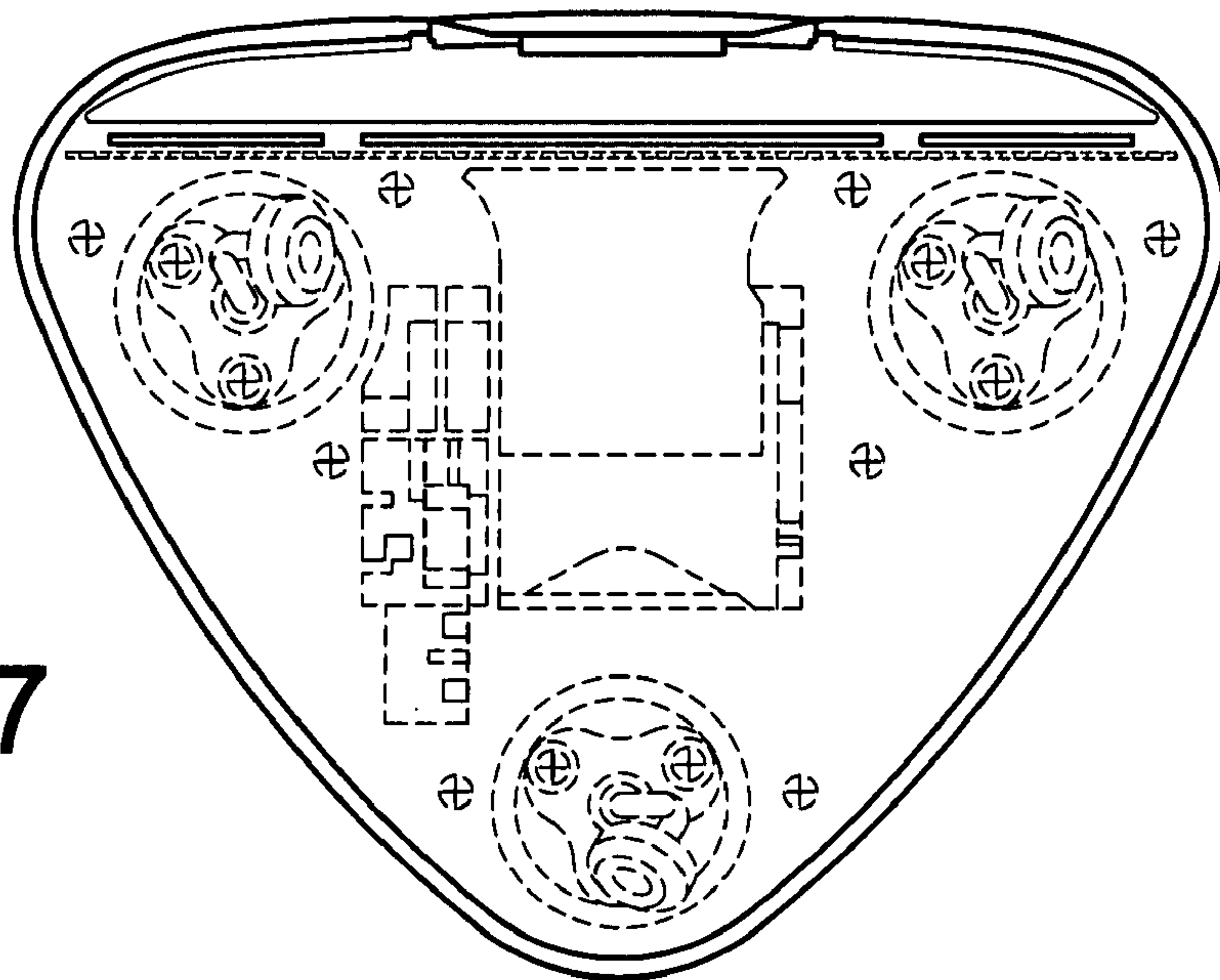


FIG. 7