



US00D568013S

(12) **United States Design Patent** (10) **Patent No.:** **US D568,013 S**  
**Crevling, Jr. et al.** (45) **Date of Patent:** **\*\* Apr. 29, 2008**

(54) **VACUUM CLEANER**  
(75) Inventors: **Robert L. Crevling, Jr.**, Williamsport, PA (US); **Jason Gottschall**, Williamsport, PA (US)  
(73) Assignee: **Shop Vac Corporation**, Williamsport, PA (US)

D470,279 S 2/2003 Griffin et al. .... D32/23  
6,530,116 B2 3/2003 Berfield et al. .... 15/328  
D506,042 S 6/2005 Griffin et al. .... D32/21  
D521,700 S \* 5/2006 Griffin ..... D32/23  
D528,255 S 9/2006 Griffin et al. .... D32/21  
D528,718 S \* 9/2006 Tomasiak et al. .... D32/21  
7,165,290 B2 1/2007 Martinez et al. .... 16/30  
D549,903 S \* 8/2007 Eccardt et al. .... D32/21

(\*\*) Term: **14 Years**  
(21) Appl. No.: **29/279,938**  
(22) Filed: **May 11, 2007**

(51) **LOC (8) Cl.** ..... **15-05**  
(52) **U.S. Cl.** ..... **D32/23**  
(58) **Field of Classification Search** ..... D32/21,  
D32/23-24, 31, 15-16; D23/225; 15/320-321,  
15/353, 323, 327.1-327.7, 329, 339, 412,  
15/340.2, 344, 347; 55/DIG. 2  
See application file for complete search history.

**OTHER PUBLICATIONS**

U.S. Appl. No. 29/279,936, J. Gotshall et al., filed May 11, 2007.  
Shop-Vac Brochure, QSP Series, Quiet Super Power Wet/Dry Vacs, dated 1993.  
Karcher Catalogue, High Performance Wet and Dry Vacuums, Dust Extraction and Spray Extraction Machines, dated 1999.  
Shop-Vac Brochure, QSP Plus, dated 2001.  
Shop-Vac Brochure, Ultra Plus and Ultra Pro, dated 2006.  
Karcher Catalogue, Wet and Dry Vacuum Cleaners, dated 2006.

\* cited by examiner

*Primary Examiner*—Ruth McInroy  
(74) *Attorney, Agent, or Firm*—Marshall, Gerstein & Borun LLP

(56) **References Cited**  
U.S. PATENT DOCUMENTS

D253,472 S \* 11/1979 Cannon et al. .... D32/23  
D255,357 S \* 6/1980 Brooks et al. .... D32/23  
4,724,573 A 2/1988 Østergaard ..... 15/321  
D338,292 S \* 8/1993 Schmitz et al. .... D32/21  
D420,473 S 2/2000 Shero ..... D32/16  
D422,351 S 4/2000 Griffin ..... D23/383  
D422,386 S \* 4/2000 Jaros et al. .... D32/21  
D429,042 S 8/2000 Griffin et al. .... D32/23  
D429,855 S 8/2000 Griffin ..... D32/23  
D429,857 S 8/2000 Griffin ..... D32/23  
6,179,889 B1 1/2001 Liu ..... 55/368  
D439,710 S 3/2001 Griffin ..... D32/31  
D443,739 S 6/2001 Young et al. .... D32/23  
D444,274 S 6/2001 Griffin ..... D32/15  
D444,276 S 6/2001 Griffin ..... D32/31  
D446,612 S \* 8/2001 Kohler ..... D32/21  
D469,934 S 2/2003 Fry et al. .... D32/23

(57) **CLAIM**

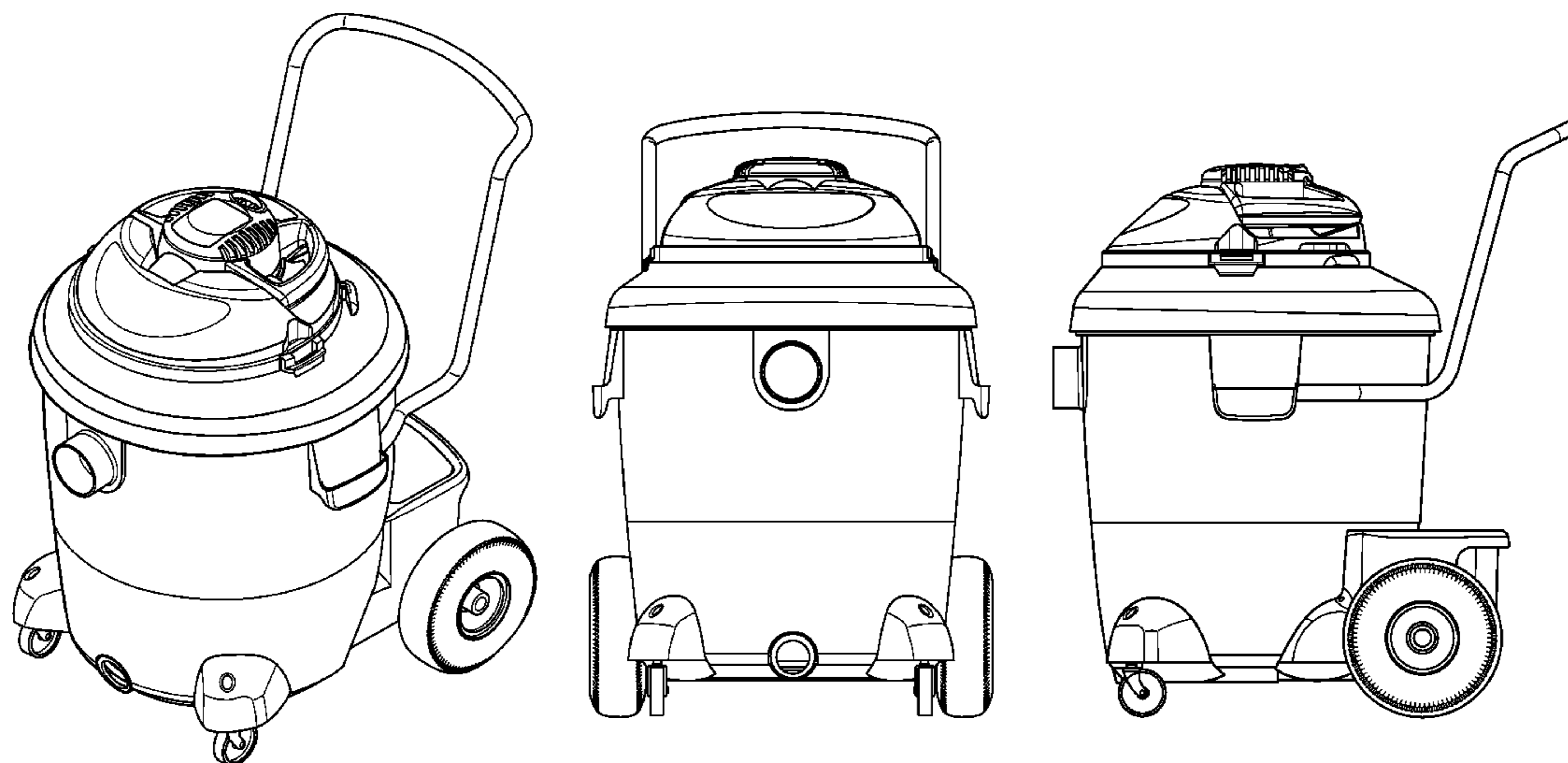
The ornamental design for a vacuum cleaner, as shown.

**DESCRIPTION**

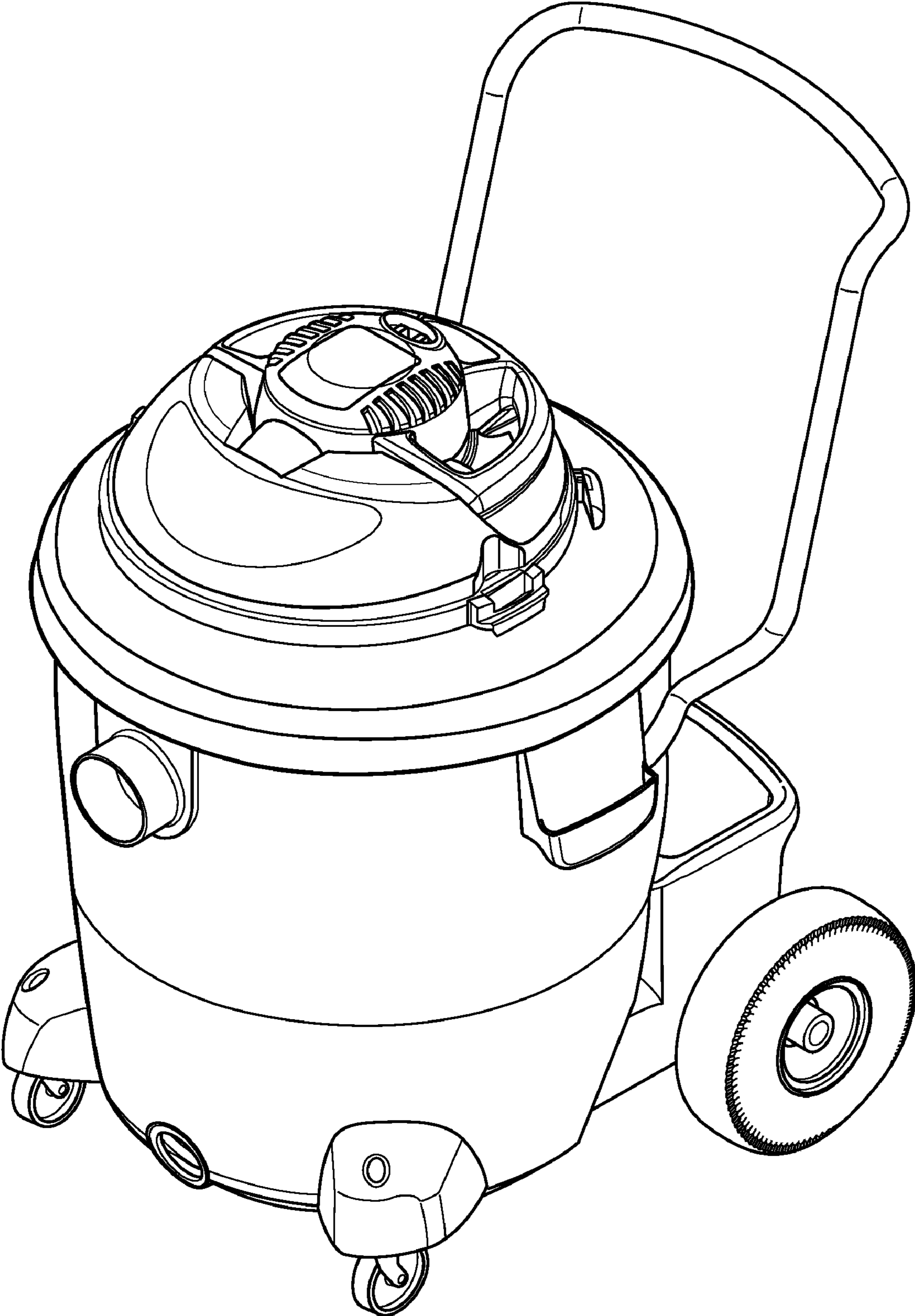
FIG. 1 is a perspective view of a vacuum cleaner showing our new design;  
FIG. 2 is front view thereof;  
FIG. 3 is a left-side thereof;  
FIG. 4 is a rear view thereof;  
FIG. 5 is a right-side view thereof; and,  
FIG. 6 is a top plan view thereof.

The bottom of the vacuum cleaner forms no part of the claimed design.

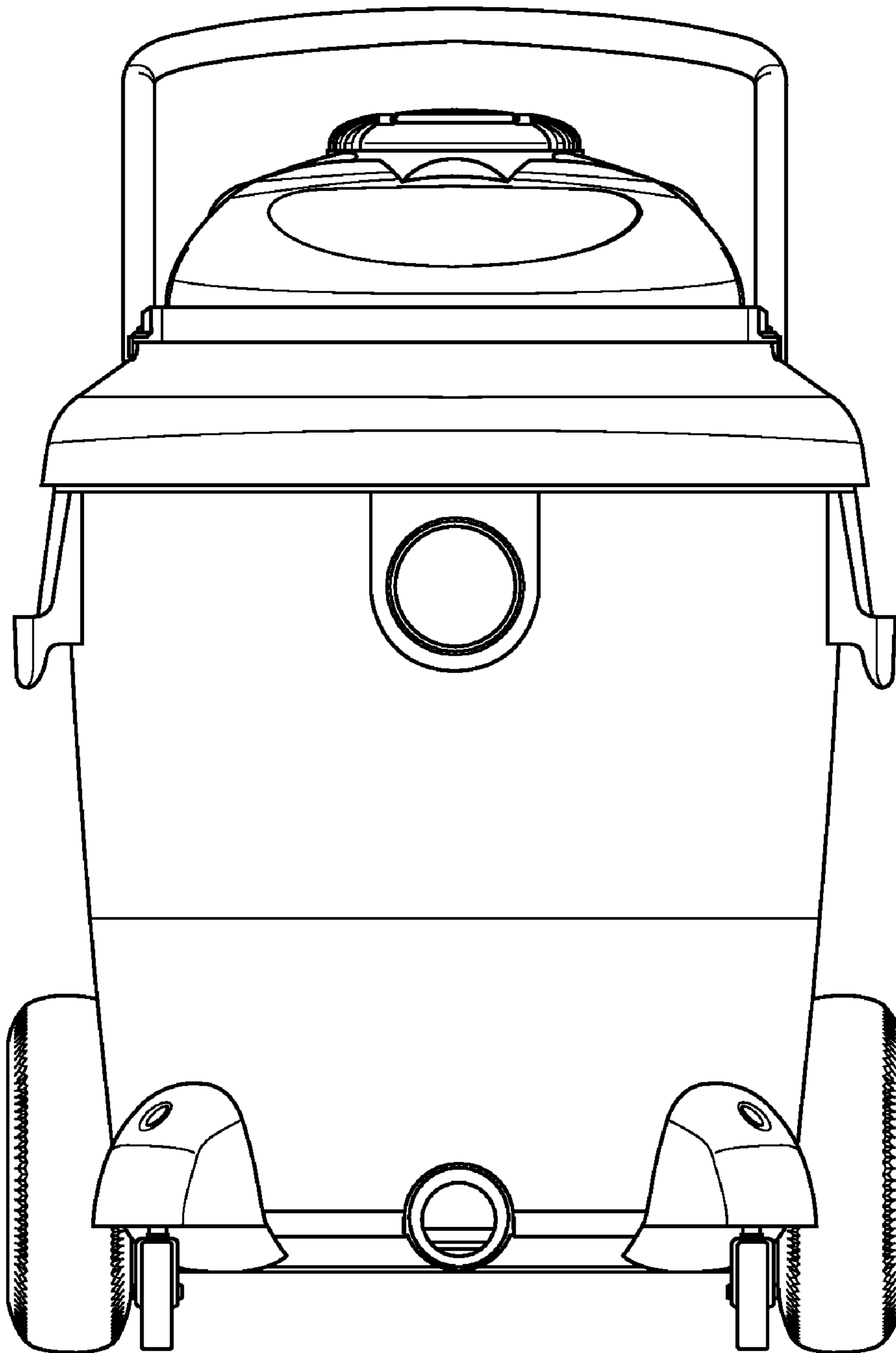
**1 Claim, 6 Drawing Sheets**



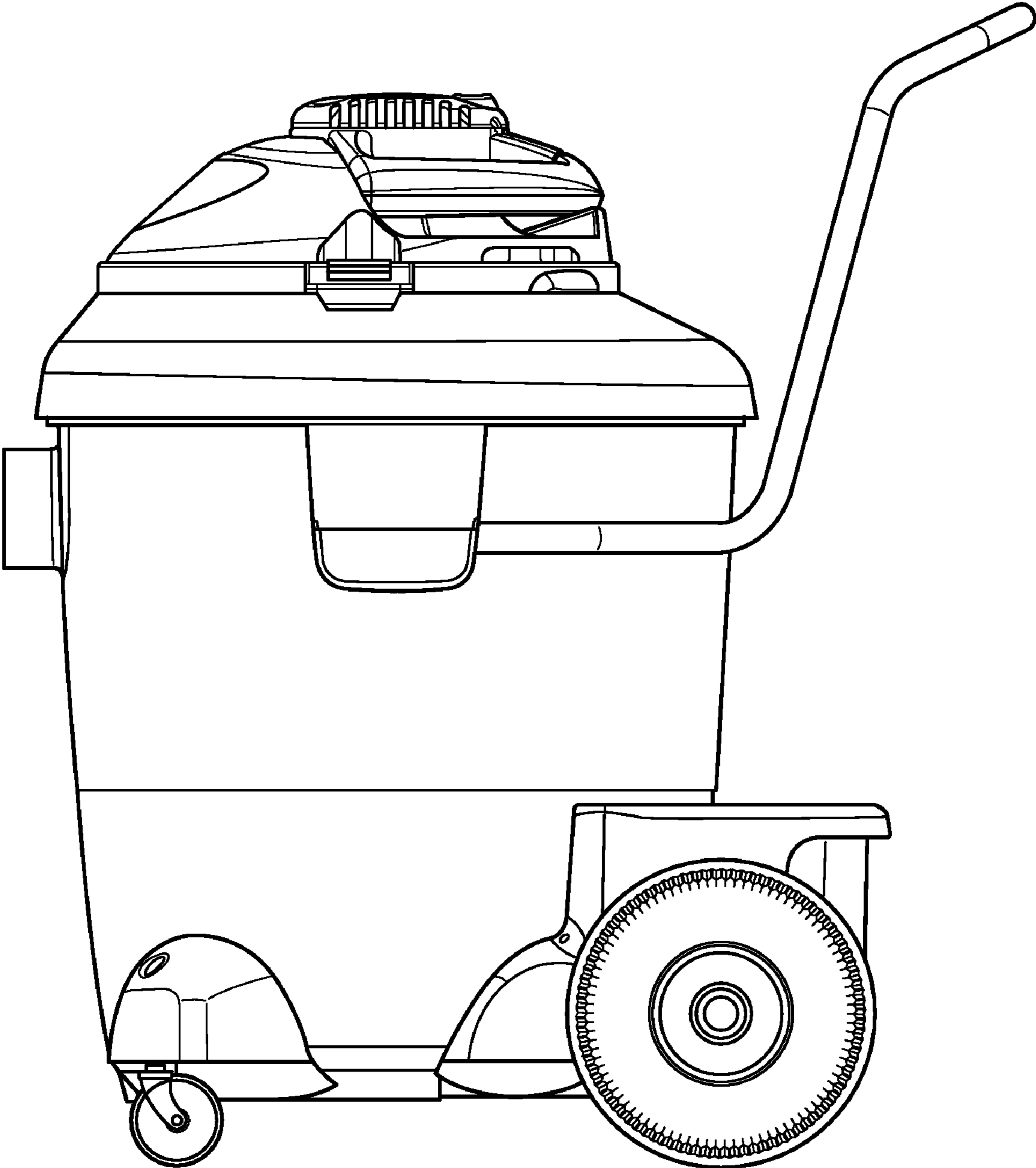
**FIG. 1**



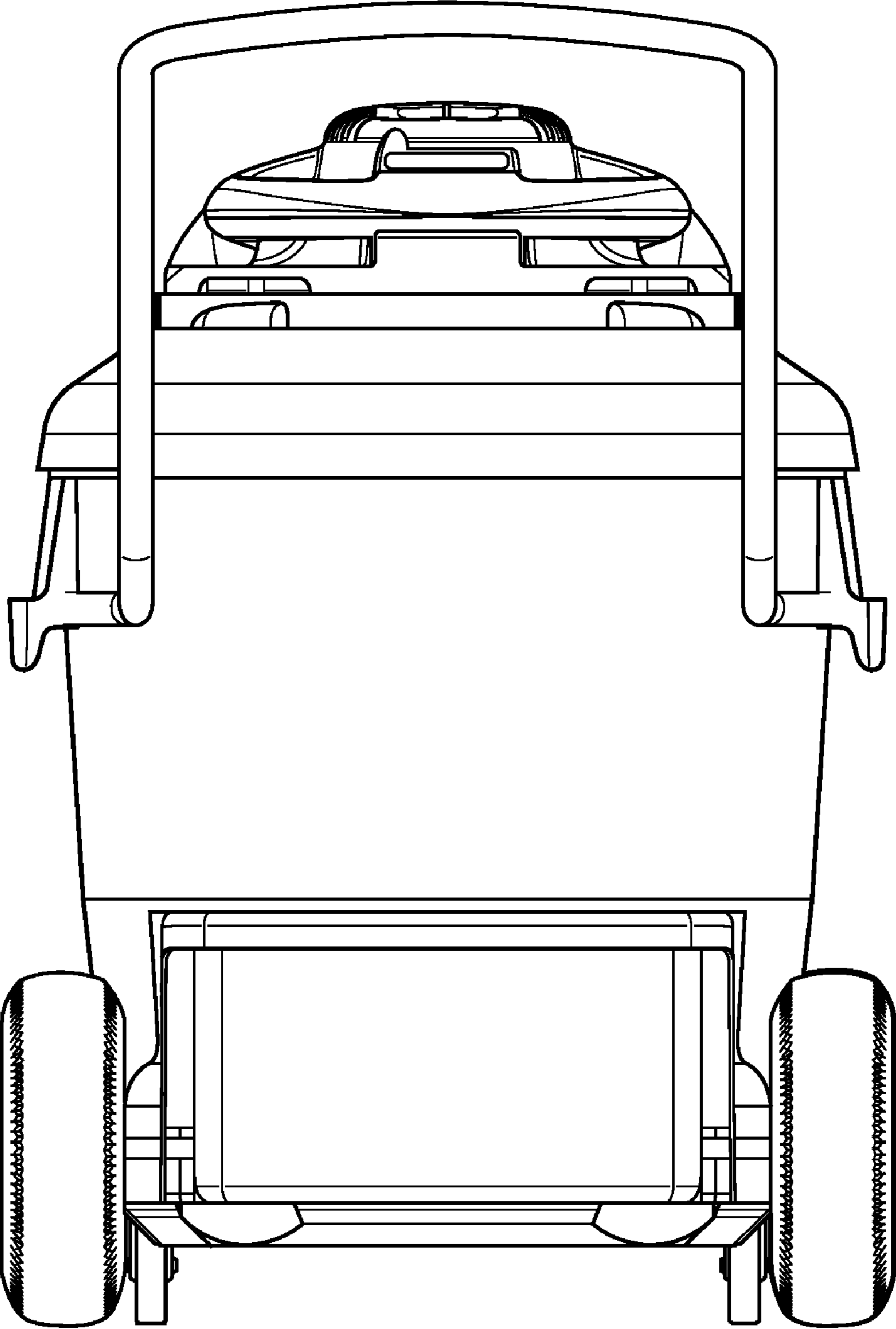
**FIG. 2**



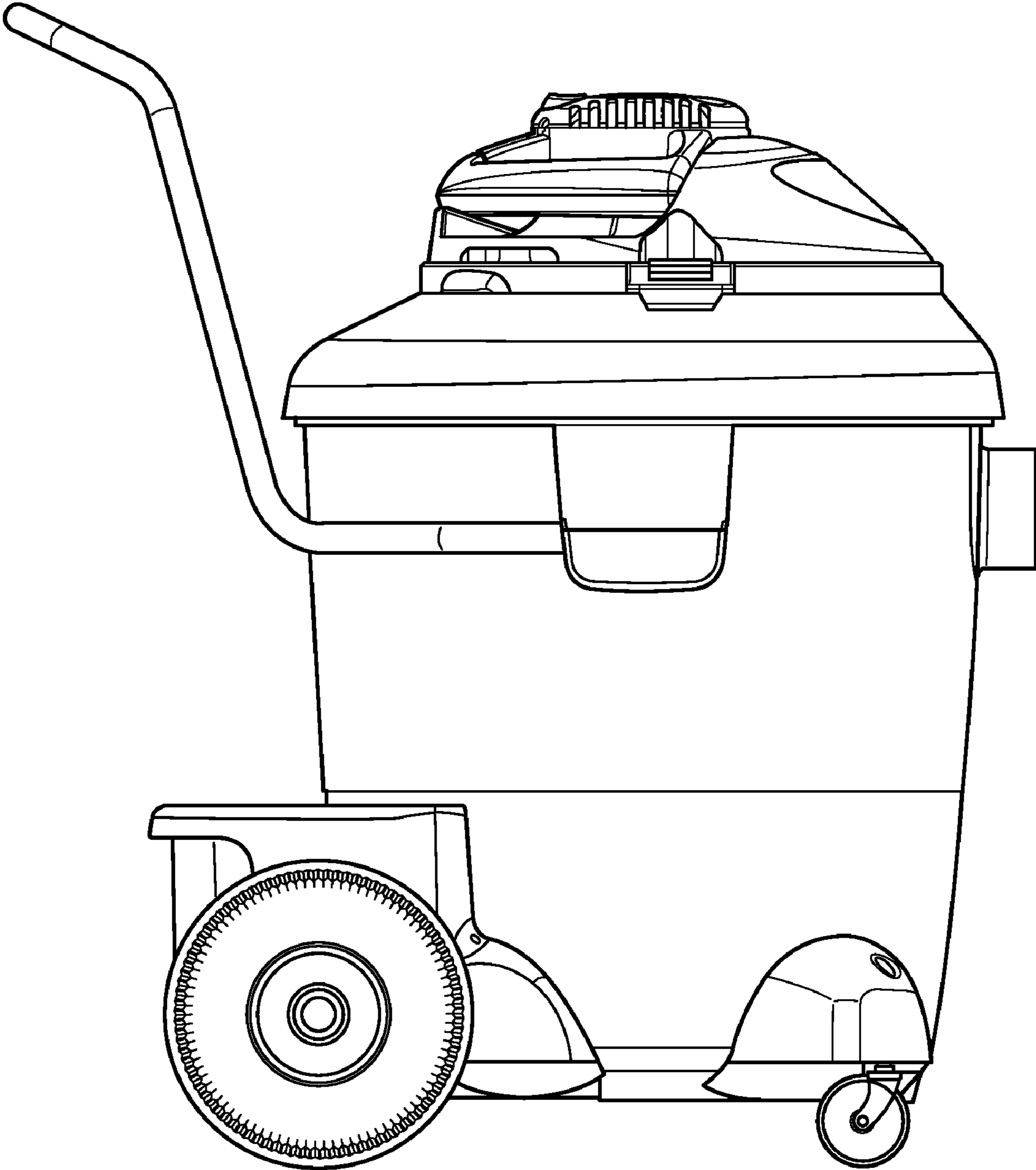
**FIG. 3**



**FIG. 4**



**FIG. 5**



**FIG. 6**

