



US00D568012S

(12) **United States Design Patent**  
**Lee**

(10) **Patent No.:** **US D568,012 S**  
(45) **Date of Patent:** **\*\* Apr. 29, 2008**

(54) **VACUUM CLEANER**

(75) Inventor: **Young Seok Lee, Seoul (KR)**

(73) Assignee: **Samsung Electronics Co., Ltd., Suwon (KR)**

(\*\*) Term: **14 Years**

(21) Appl. No.: **29/268,462**

(22) Filed: **Nov. 7, 2006**

(51) **LOC (8) Cl.** ..... **15-05**

(52) **U.S. Cl.** ..... **D32/23**

(58) **Field of Classification Search** ..... D32/21,  
D32/23-24, 31, 15-16; D23/225; 15/320-321,  
15/353, 323, 327.1-327.7, 329, 339, 412,  
15/340.2, 344, 347; 55/DIG. 2  
See application file for complete search history.

(56) **References Cited**

**U.S. PATENT DOCUMENTS**

- D280,768 S \* 9/1985 Ferraris et al. .... D32/23
- D286,336 S \* 10/1986 Berfield et al. .... D32/23
- D324,930 S \* 3/1992 Pino ..... D32/23
- D338,294 S \* 8/1993 Kohler ..... D32/23
- D344,376 S \* 2/1994 Worwag ..... D32/23

- D358,689 S \* 5/1995 Wallace ..... D32/23
- D362,522 S \* 9/1995 Kohler ..... D32/23
- D365,178 S \* 12/1995 Rakocy et al. .... D32/23
- D367,342 S \* 2/1996 Langeland et al. .... D32/23
- D384,448 S \* 9/1997 Stephens et al. .... D32/23

\* cited by examiner

*Primary Examiner*—Ruth McInroy

(74) *Attorney, Agent, or Firm*—Ladas and Parry LLP

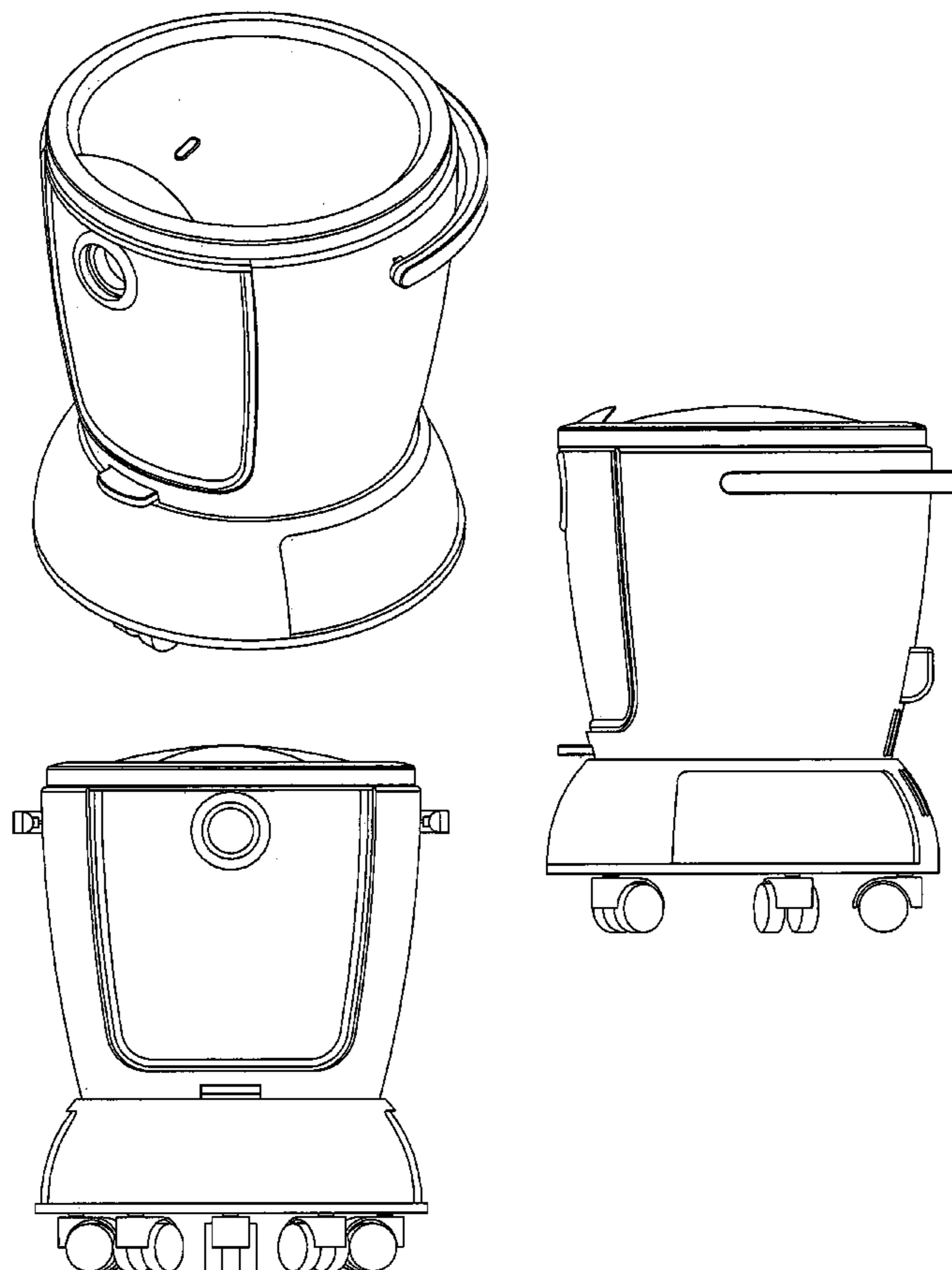
(57) **CLAIM**

I claim the ornamental design for a vacuum cleaner, as shown and described.

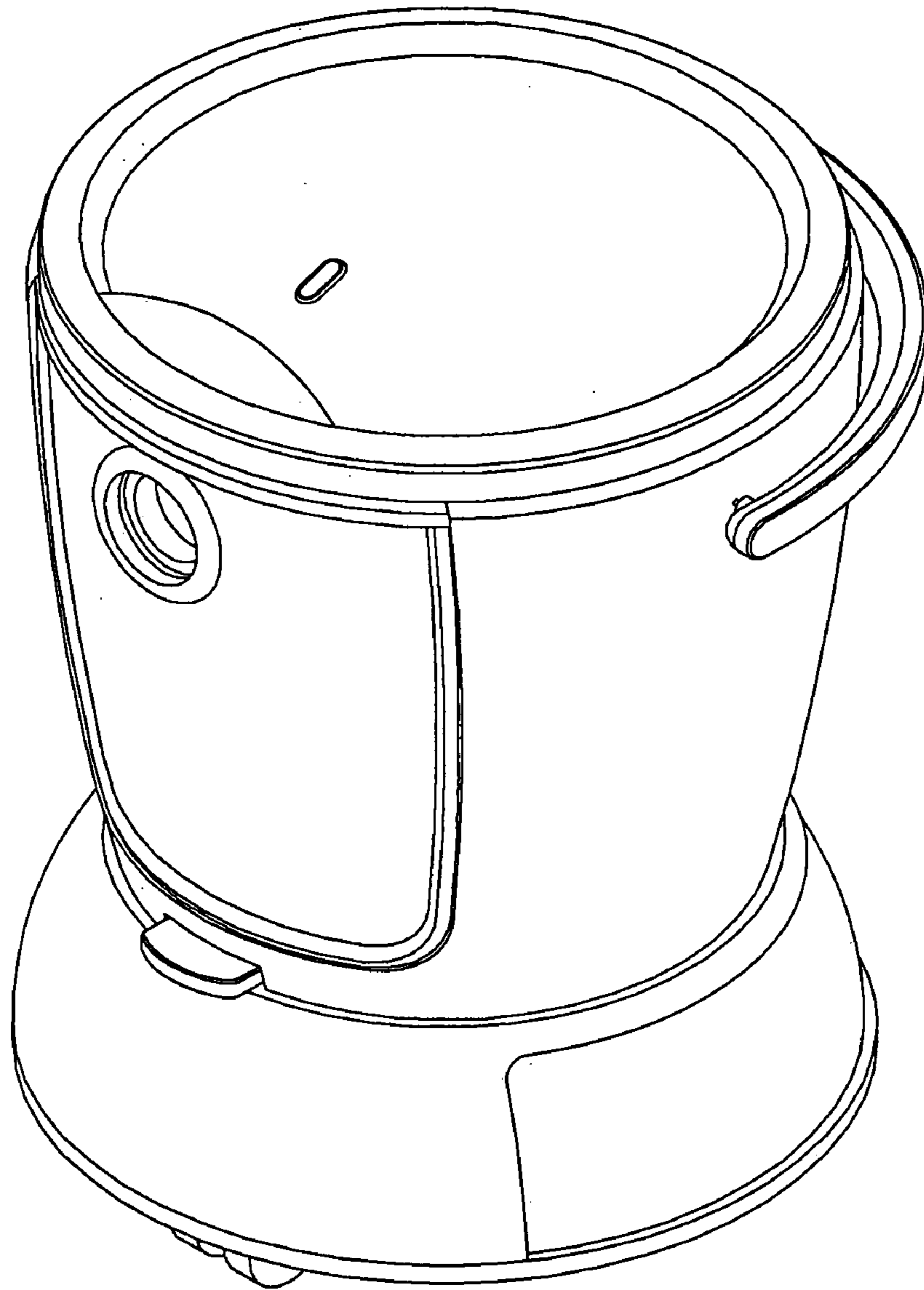
**DESCRIPTION**

FIG. 1 is a top, front and left-side perspective view of a vacuum cleaner showing my new design;  
 FIG. 2 is a front elevational view thereof;  
 FIG. 3 is a rear elevational view thereof;  
 FIG. 4 is a left-side elevational view thereof;  
 FIG. 5 is a right-side elevational view thereof;  
 FIG. 6 is a top plan view thereof; and,  
 FIG. 7 is a bottom plan view thereof.

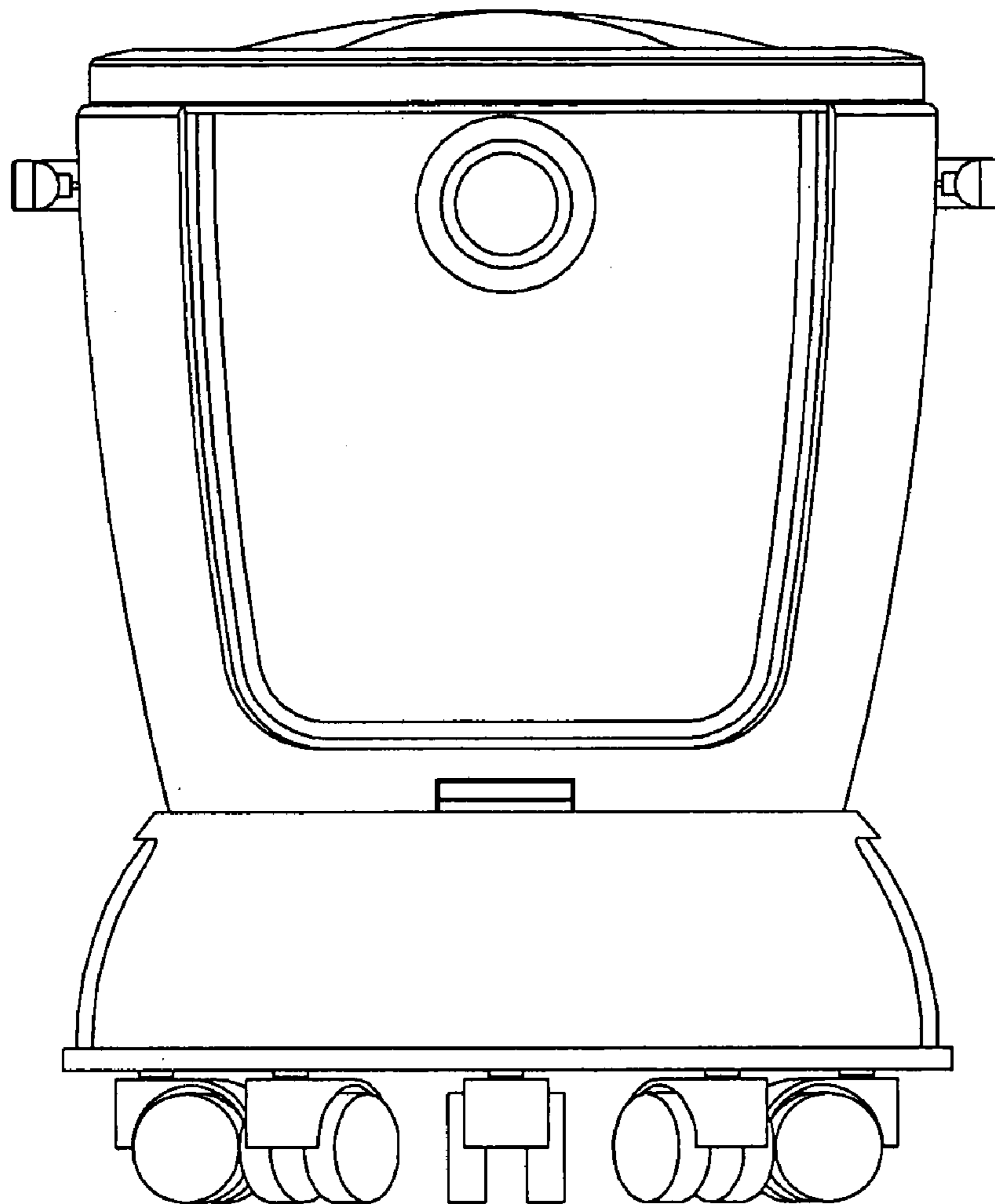
**1 Claim, 7 Drawing Sheets**



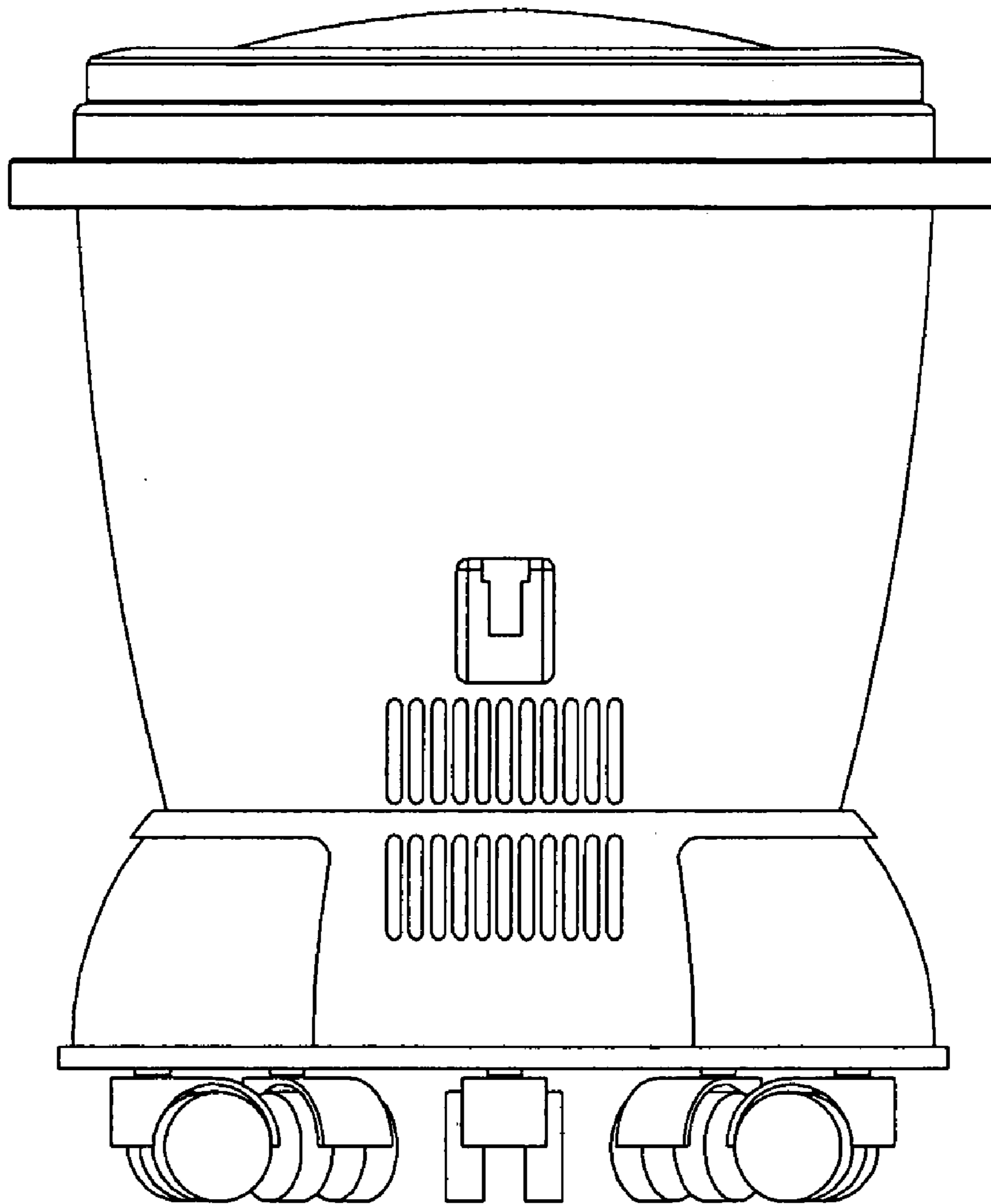
**FIG. 1**



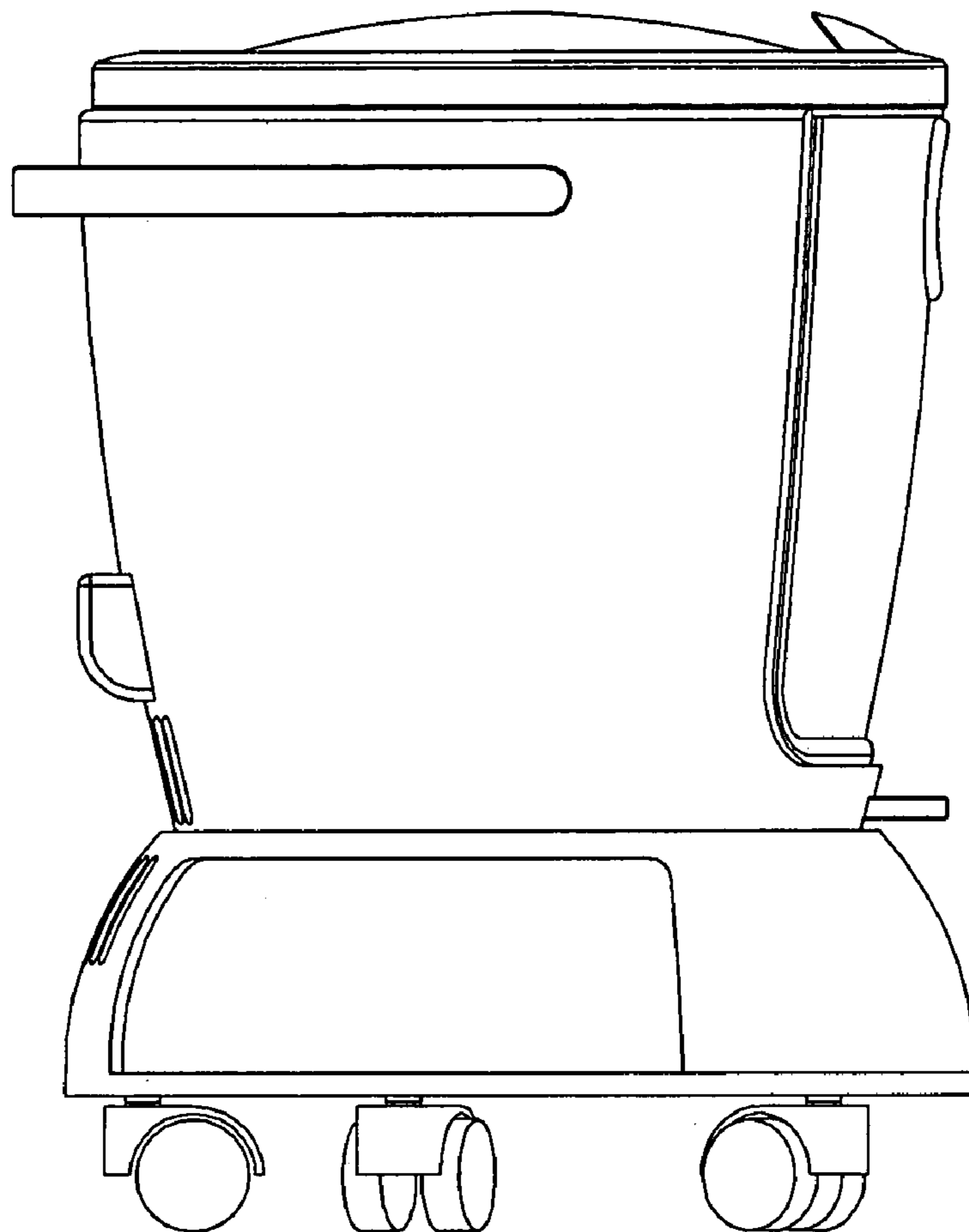
**FIG. 2**



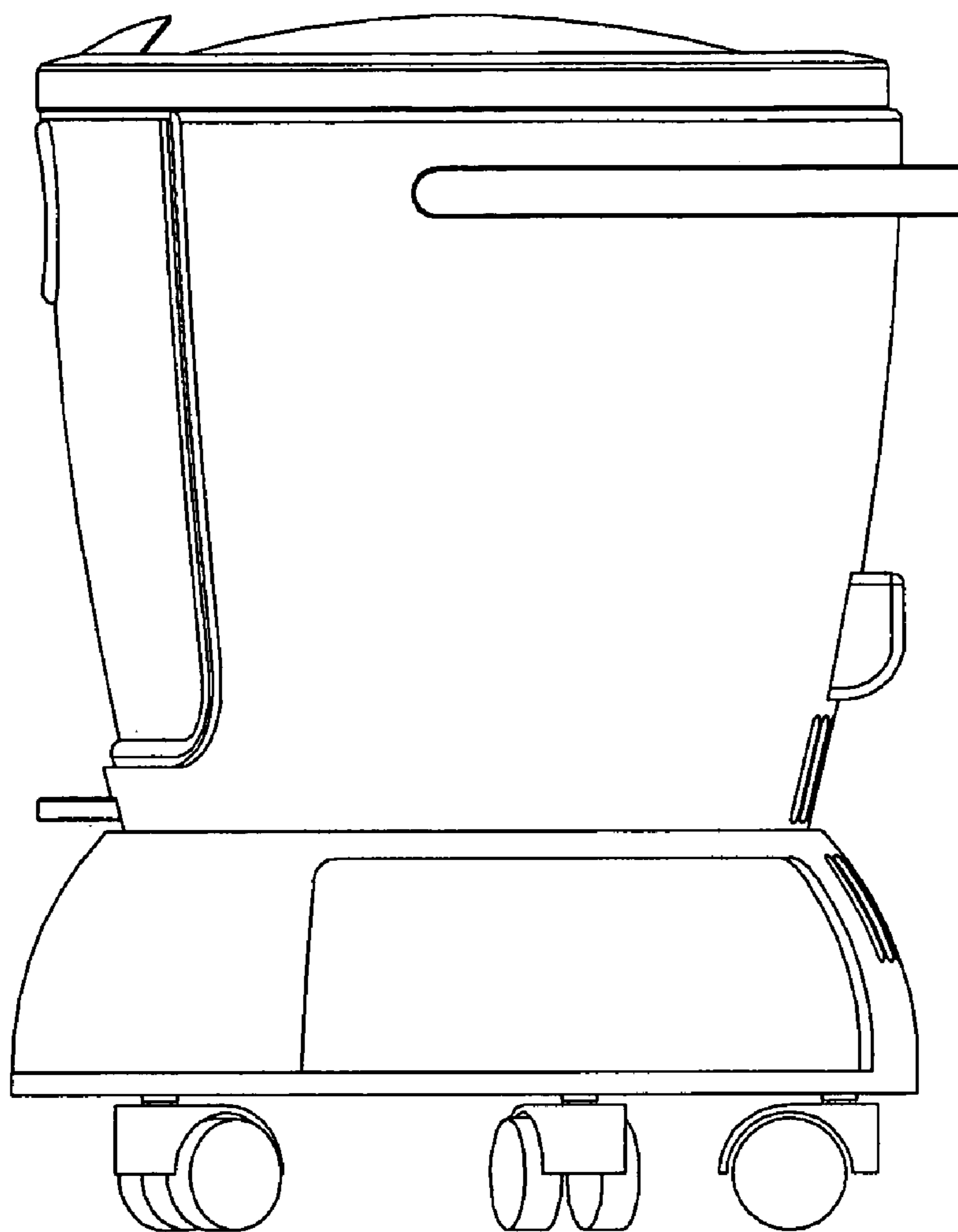
**FIG. 3**



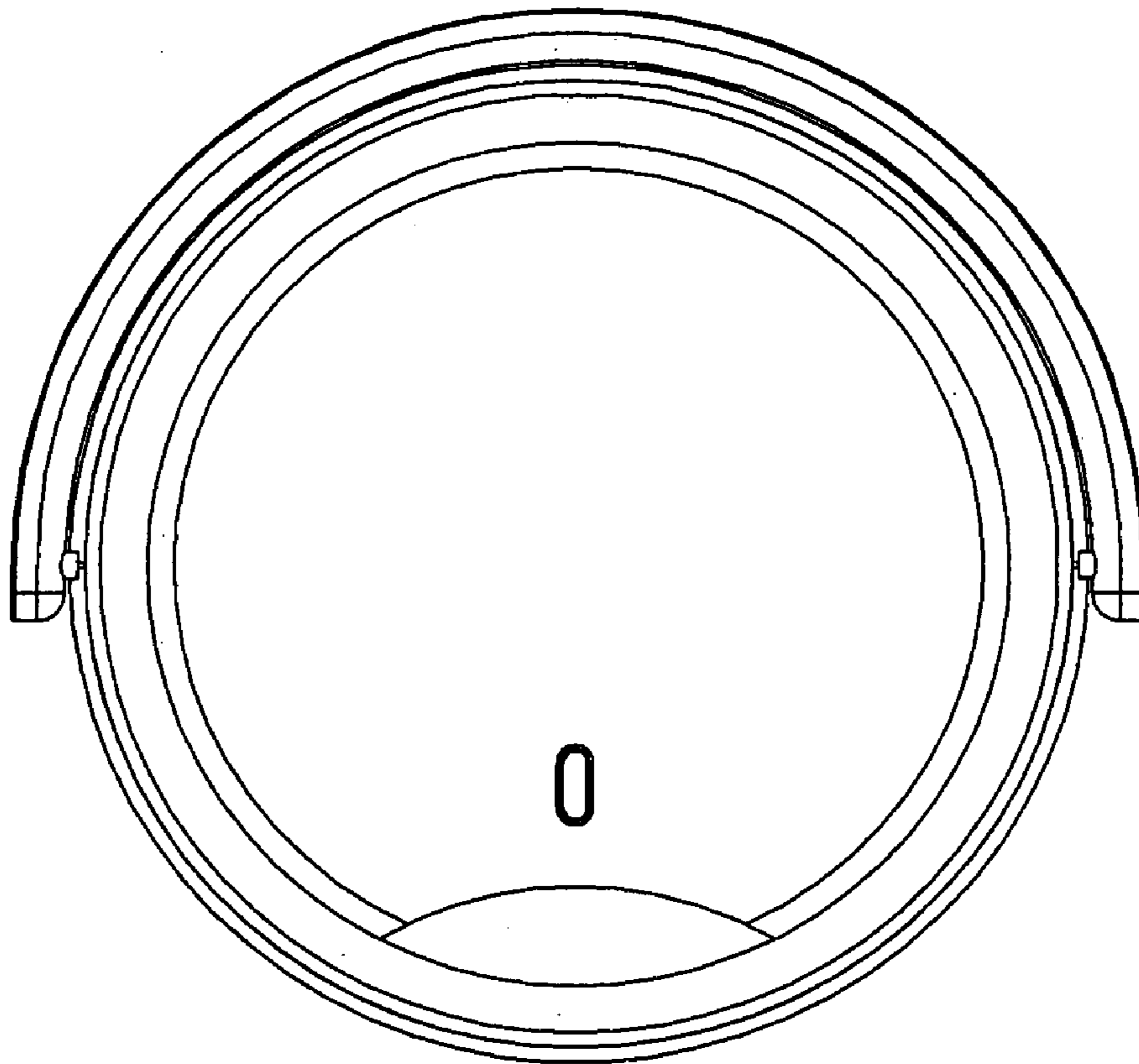
**FIG. 4**



**FIG. 5**



**FIG. 6**



**FIG. 7**

