

US00D568011S

(12) **United States Design Patent**  
**Lee**

(10) **Patent No.:** **US D568,011 S**

(45) **Date of Patent:** **\*\* Apr. 29, 2008**

(54) **VACUUM CLEANER**

(75) Inventor: **Young Seok Lee**, Seoul (KR)

(73) Assignee: **Samsung Electronics Co. Ltd.**, Suwon (KR)

(\*\*) Term: **14 Years**

(21) Appl. No.: **29/268,461**

(22) Filed: **Nov. 7, 2006**

(51) **LOC (8) Cl.** ..... **15-05**

(52) **U.S. Cl.** ..... **D32/23**

(58) **Field of Classification Search** ..... D32/21,  
D32/23-24, 31, 15-16; D23/225; 15/320-321,  
15/353, 323, 327.1-327.7, 329, 339, 412,  
15/340.2, 344, 347; 55/DIG. 2  
See application file for complete search history.

(56) **References Cited**

**U.S. PATENT DOCUMENTS**

D280,768 S *	9/1985	Ferraris et al.	.....	D32/23
D286,336 S *	10/1986	Berfield et al.	.....	D32/23
D324,930 S *	3/1992	Pino	.....	D32/23
D338,294 S *	8/1993	Kohler	.....	D32/23
D344,376 S *	2/1994	Worwag	.....	D32/23

D358,689 S *	5/1995	Wallace	.....	D32/23
D362,522 S *	9/1995	Kohler	.....	D32/23
D365,178 S *	12/1995	Rakocy et al.	.....	D32/23
D367,342 S *	2/1996	Langeland et al.	.....	D32/23
D384,448 S *	9/1997	Stephens et al.	.....	D32/23

\* cited by examiner

*Primary Examiner*—Ruth McInroy

(74) *Attorney, Agent, or Firm*—Ladas and Parry LLP

(57) **CLAIM**

I claim the ornamental design for a vacuum cleaner, as shown and described.

**DESCRIPTION**

FIG. 1 is a top, front and left-side perspective view of a vacuum cleaner showing my new design;

FIG. 2 is a front elevational view thereof;

FIG. 3 is a rear elevational view thereof;

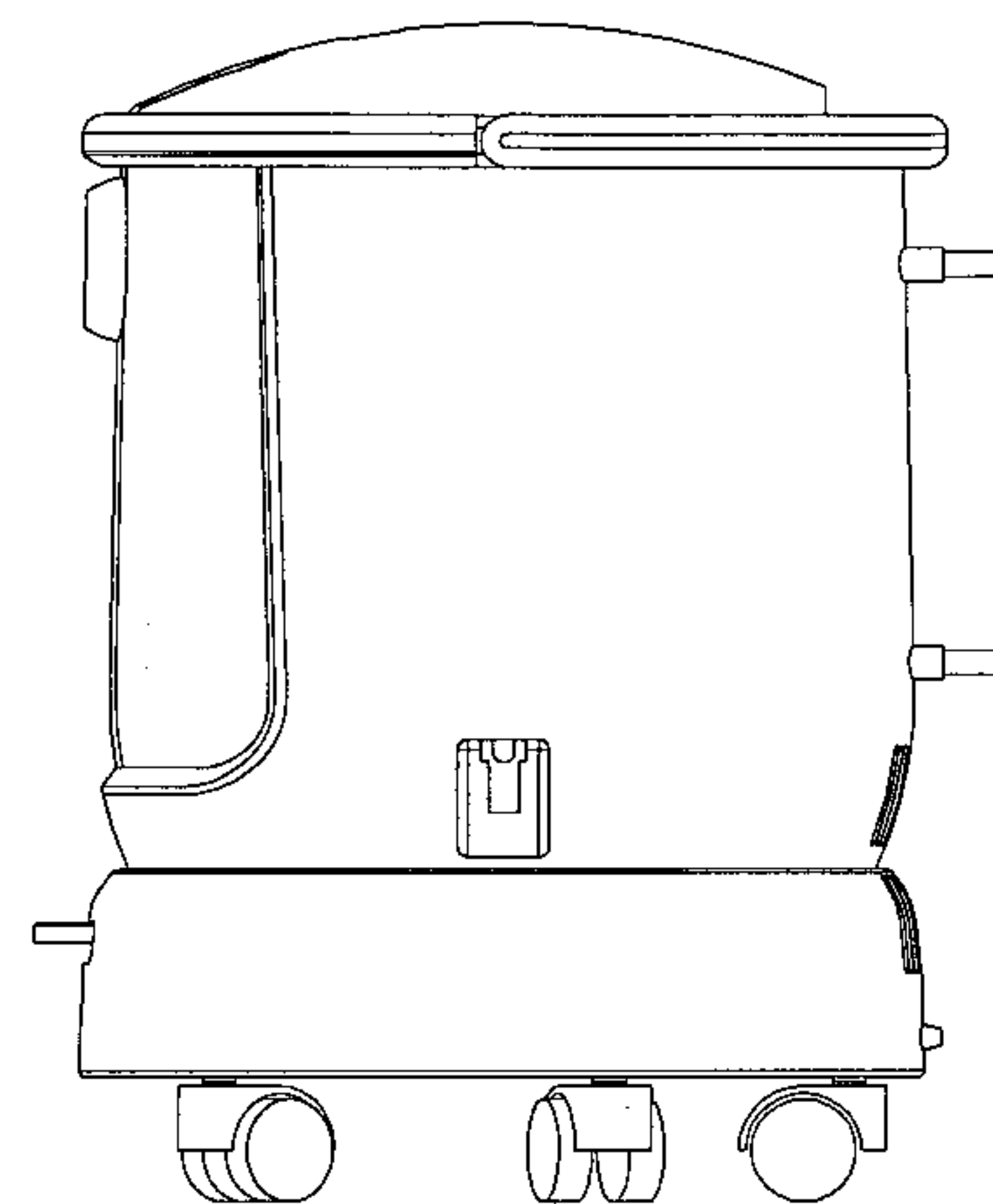
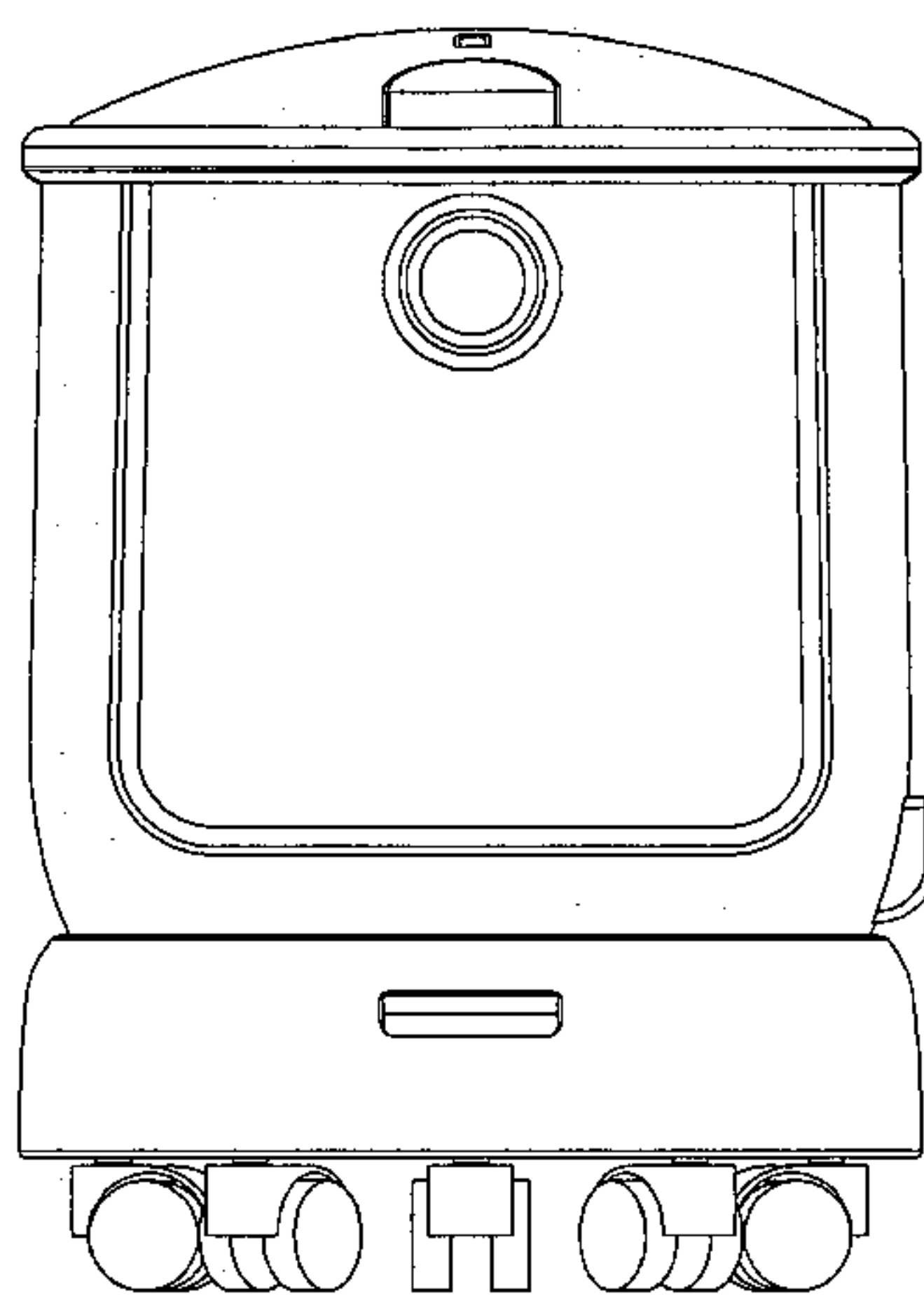
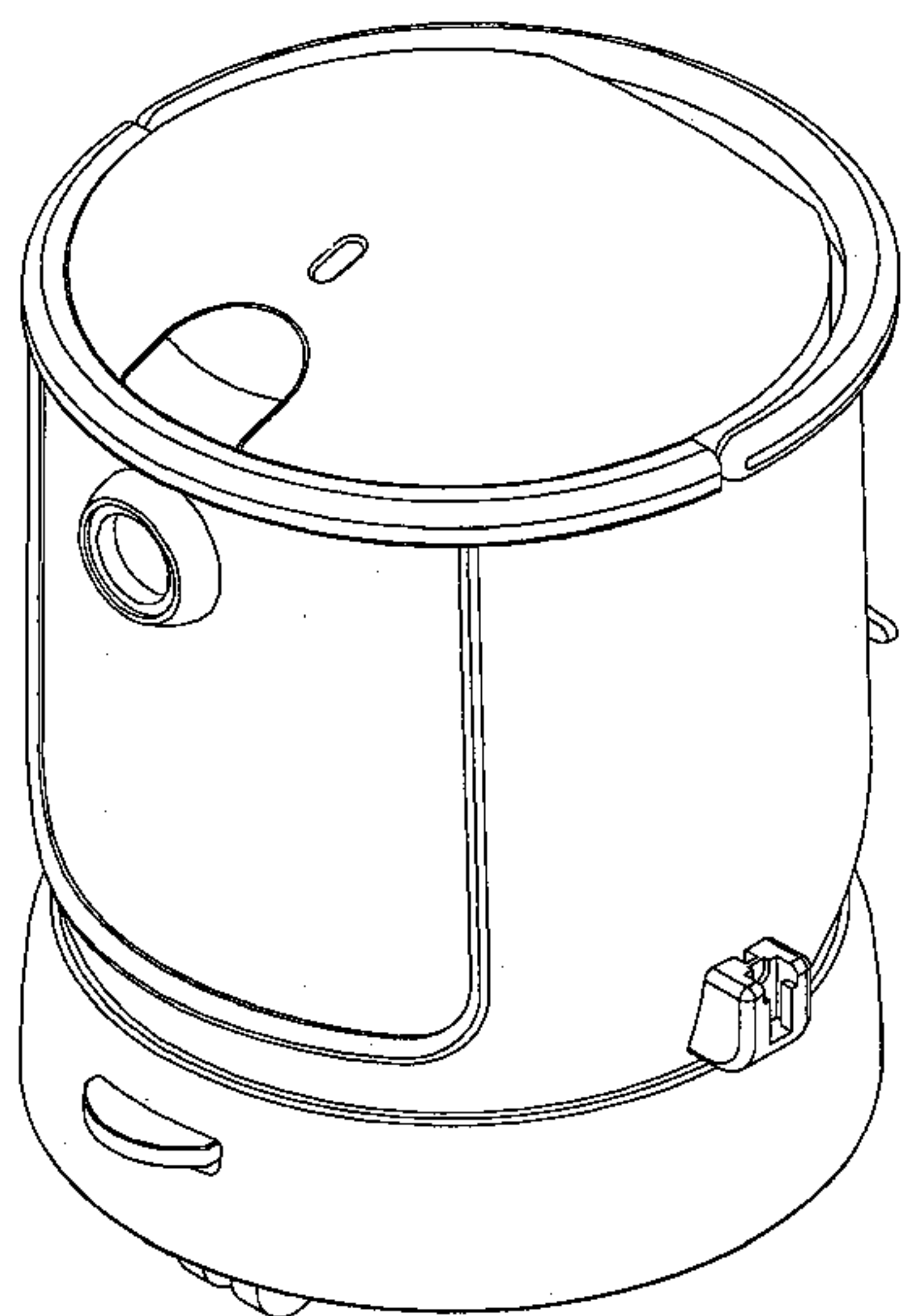
FIG. 4 is a left-side elevational view thereof;

FIG. 5 is a right-side elevational view thereof;

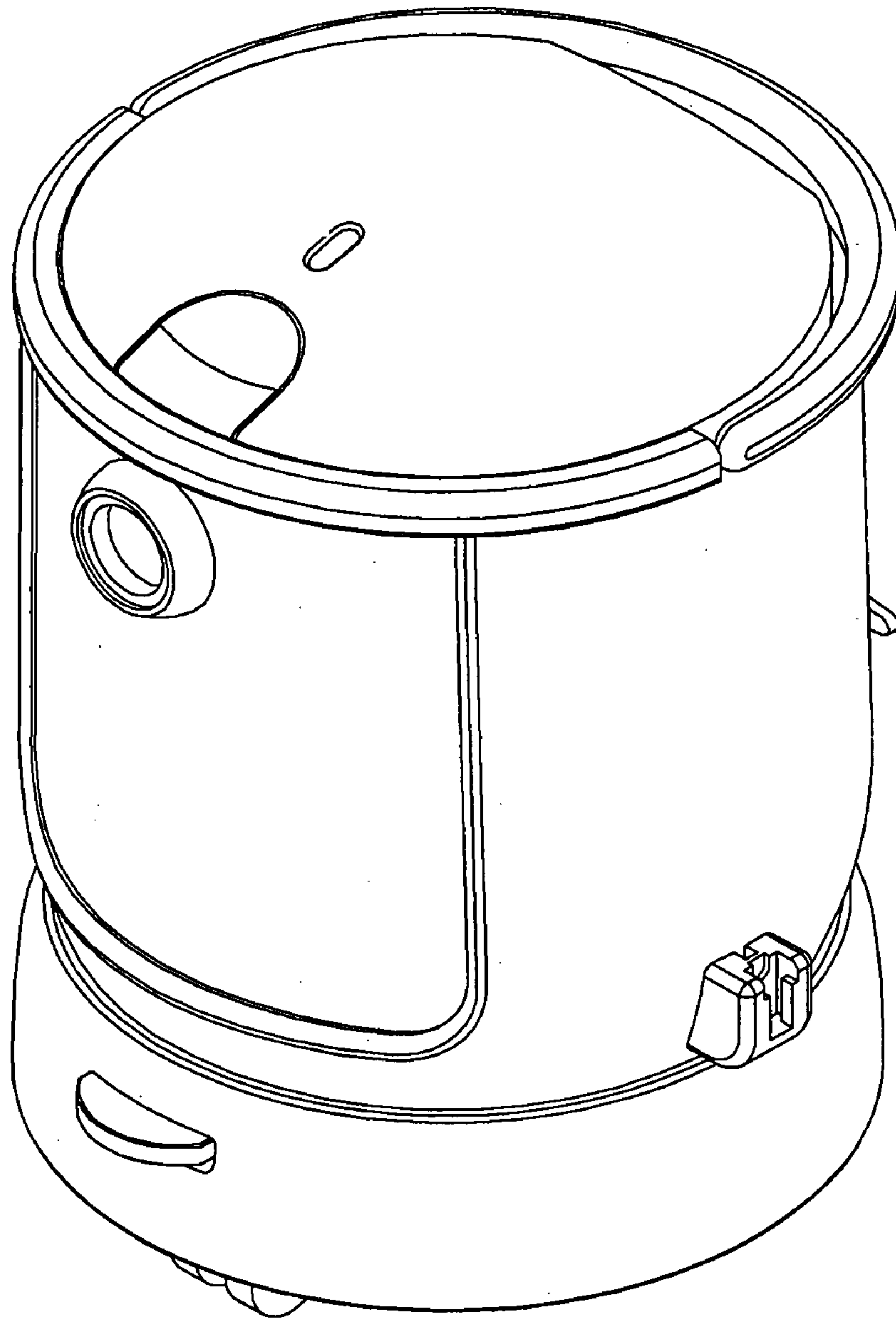
FIG. 6 is a top plan view thereof; and,

FIG. 7 is a bottom plan view thereof.

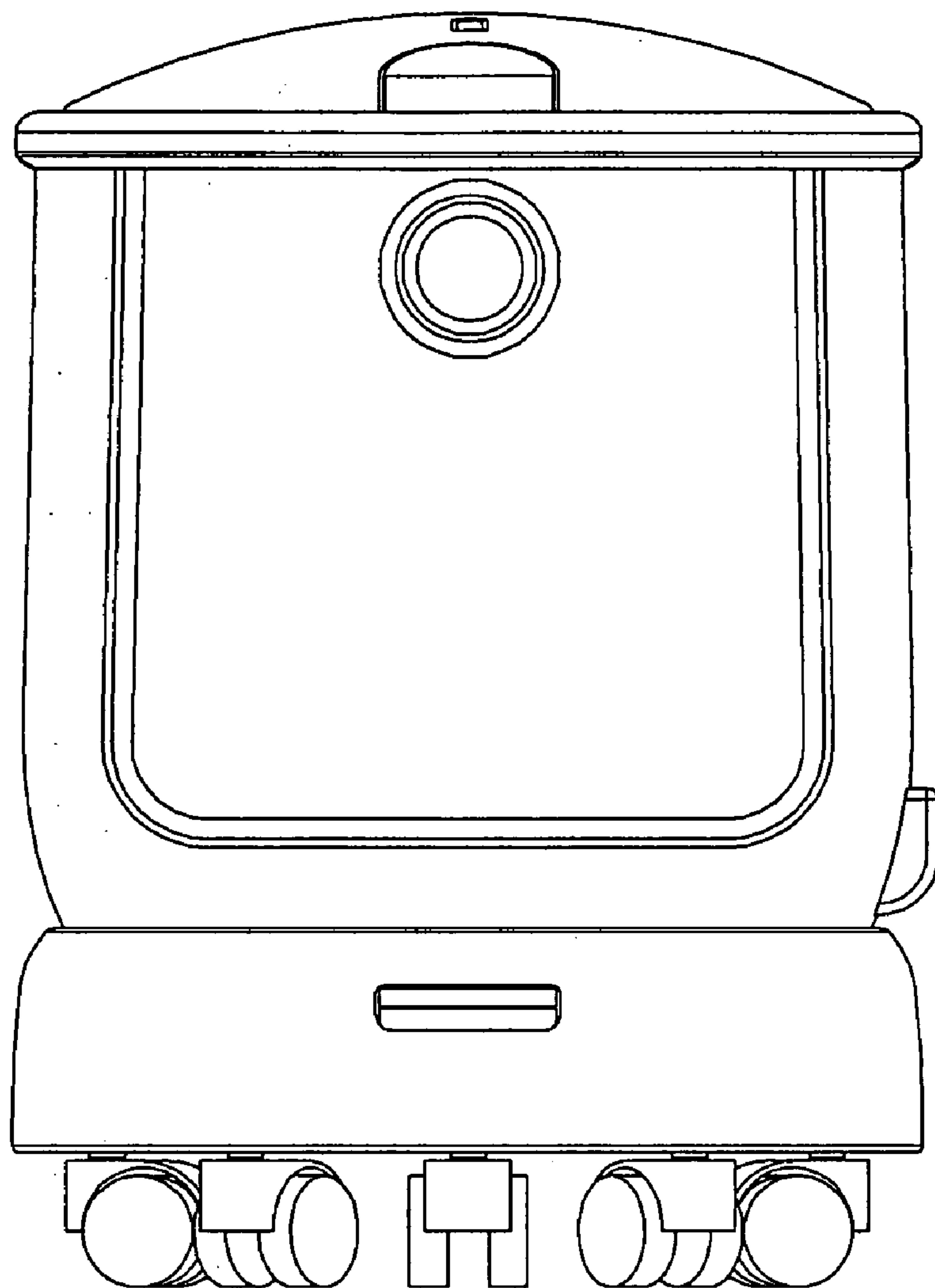
**1 Claim, 7 Drawing Sheets**



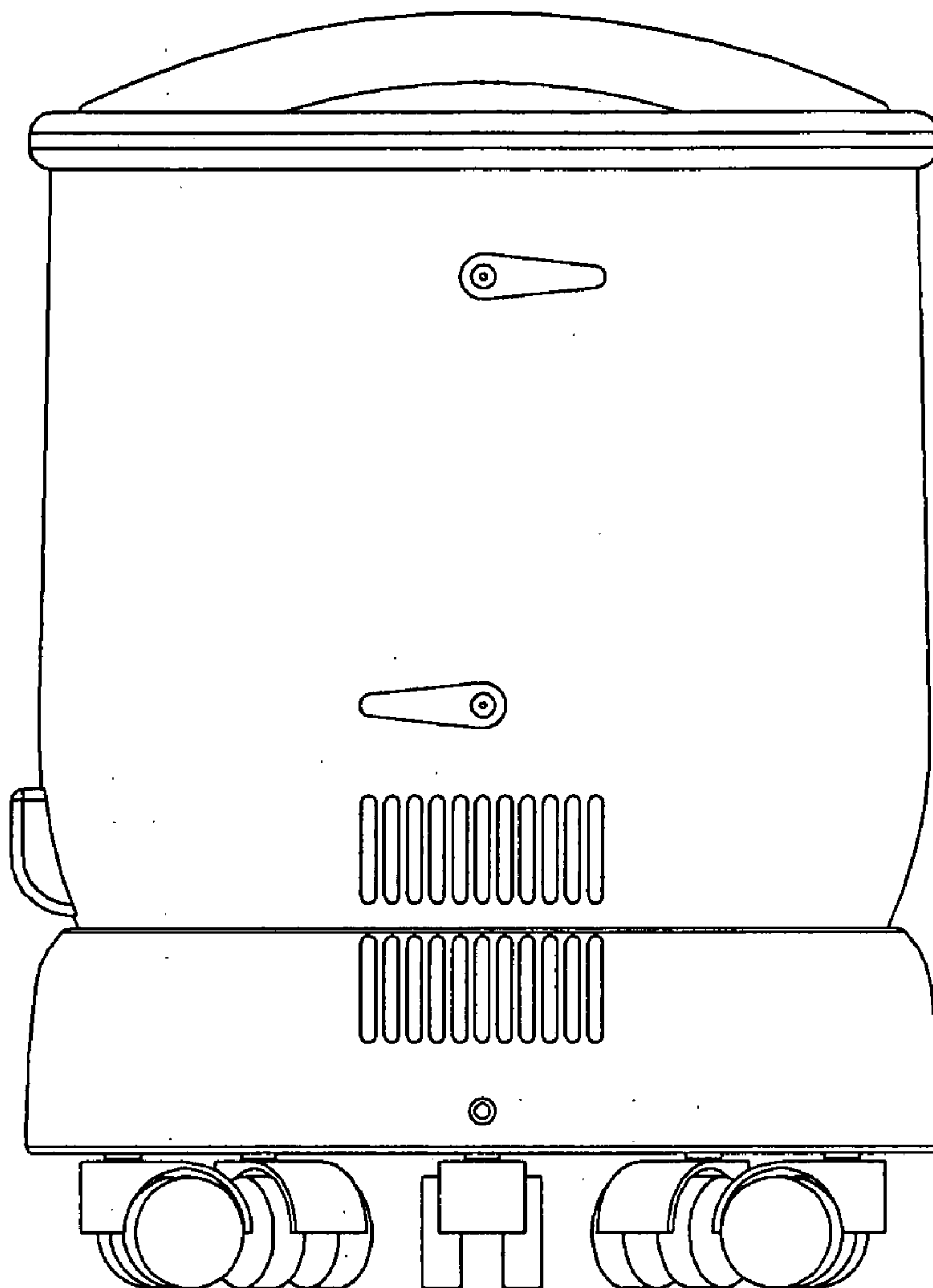
**FIG. 1**



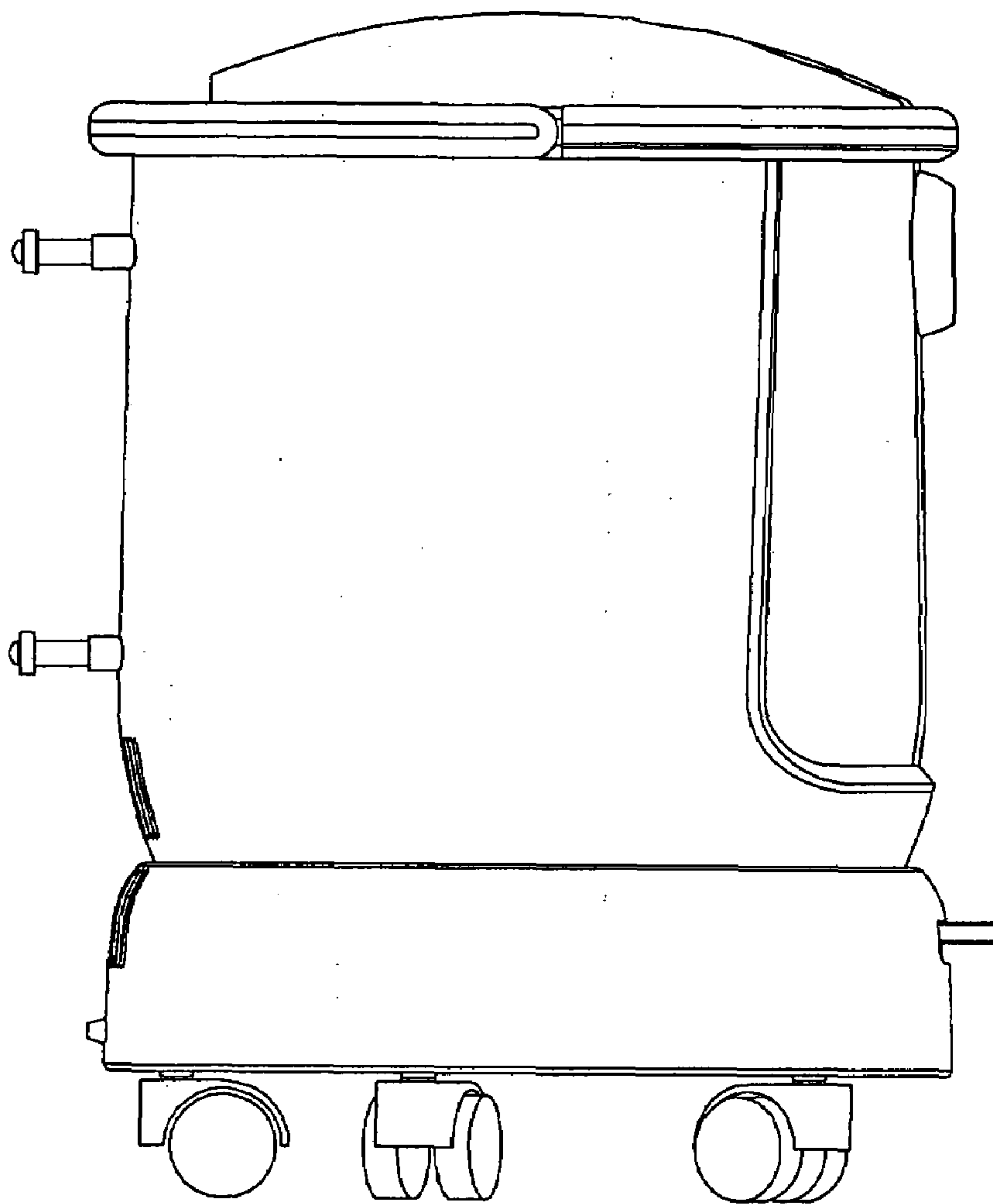
**FIG. 2**



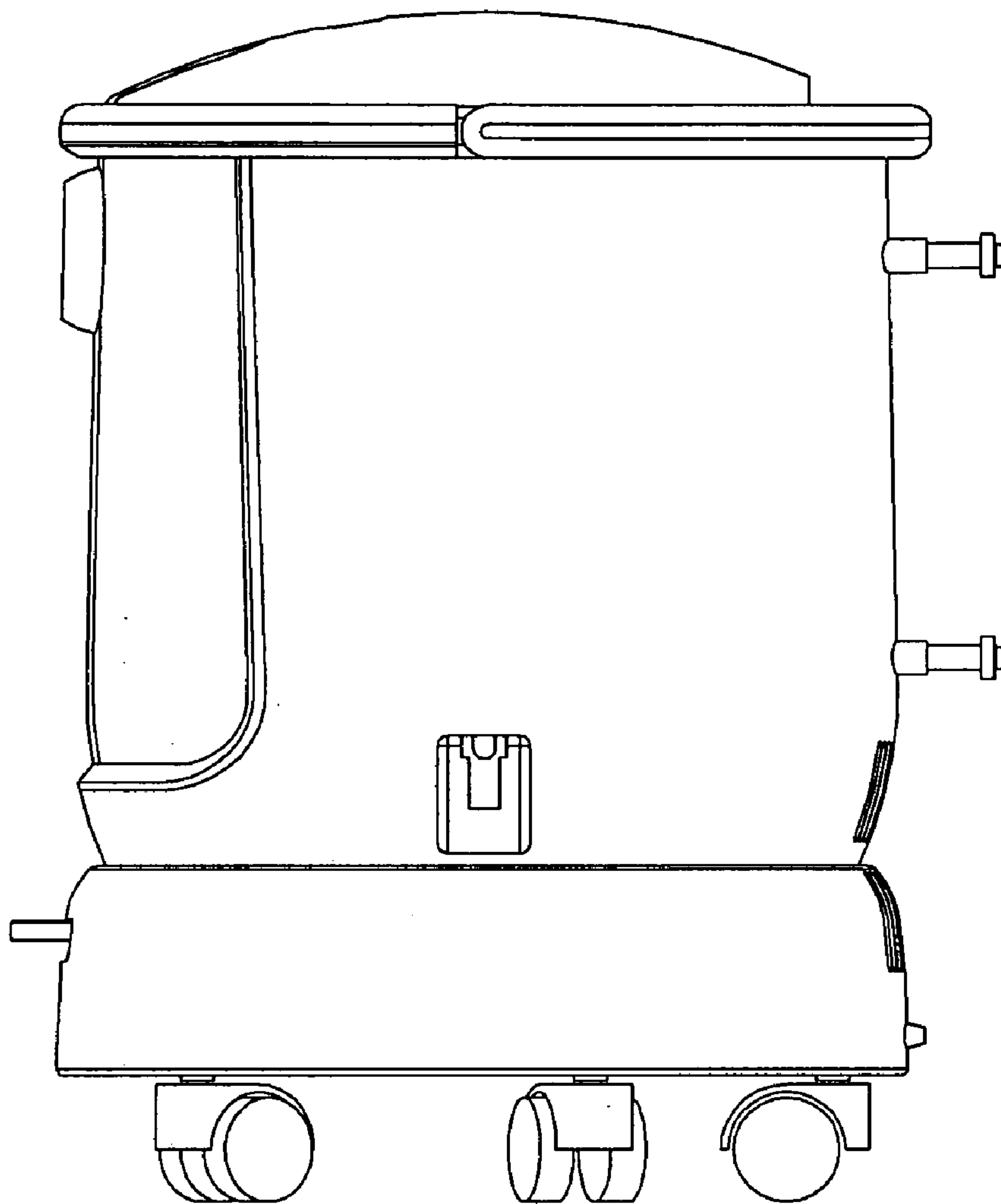
**FIG. 3**



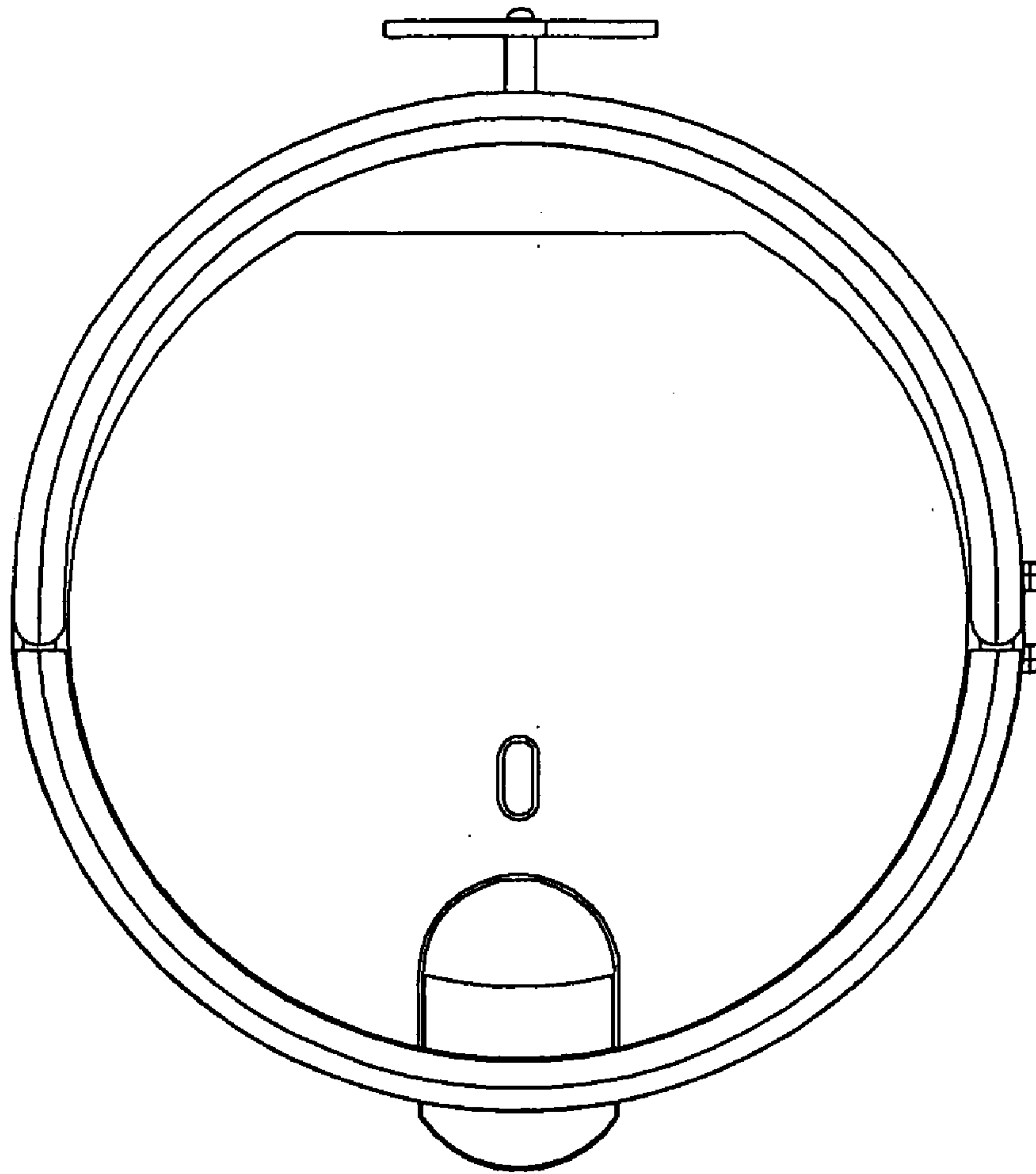
**FIG. 4**



**FIG. 5**



**FIG. 6**



**FIG. 7**

