

US00D568010S

(12) **United States Design Patent** (10) **Patent No.:** **US D568,010 S**
Crevling, Jr. et al. (45) **Date of Patent:** **** Apr. 29, 2008**

(54) **VACUUM CLEANER** D452,052 S * 12/2001 Griffin D32/23
 D454,672 S 3/2002 Griffin
 6,484,351 B2 11/2002 Griffin et al.
 D469,934 S 2/2003 Fry et al.
 D470,279 S 2/2003 Griffin et al.
 D470,280 S 2/2003 Griffin et al.
 D470,281 S 2/2003 Griffin et al.
 6,530,116 B2 3/2003 Berfield et al.
 D479,371 S 9/2003 Griffin et al.
 D479,372 S 9/2003 Griffin
 D506,042 S * 6/2005 Griffin et al. D32/21
 D506,857 S * 6/2005 Griffin D32/23
 D507,386 S 7/2005 Griffin et al.
 D507,388 S 7/2005 Griffin
 D512,545 S * 12/2005 Griffin D32/21
 D521,700 S 5/2006 Griffin

(75) Inventors: **Robert L. Crevling, Jr.**, Williamsport, PA (US); **Jason Gottschall**, Williamsport, PA (US)

(73) Assignee: **Shop-Vac Corporation**, Williamsport, PA (US)

(**) Term: **14 Years**

(21) Appl. No.: **29/266,553**

(22) Filed: **Sep. 22, 2006**

(51) **LOC (8) Cl.** **15-05**

(52) **U.S. Cl.** **D32/23**

(58) **Field of Classification Search** D32/21, D32/23-24, 31, 15-16; D23/225; 15/320-321, 15/353, 323, 327.1-327.7, 329, 339, 412, 15/340.2, 344, 347; 55/DIG. 2
 See application file for complete search history.

* cited by examiner

Primary Examiner—Ruth McInroy
(74) *Attorney, Agent, or Firm*—Marshall, Gerstein & Borun LLP

(57) **CLAIM**

The ornamental design for a vacuum cleaner, as shown and described.

DESCRIPTION

FIG. 1 is a perspective view of a vacuum cleaner showing our new design;
 FIG. 2 is a front view thereof;
 FIG. 3 is a right side view thereof;
 FIG. 4 is a left side view thereof;
 FIG. 5 is a rear view thereof; and,
 FIG. 6 is a top plan view thereof.
 The bottom of the vacuum cleaner forms no part of the claimed design.

1 Claim, 6 Drawing Sheets

(56) **References Cited**

U.S. PATENT DOCUMENTS

D383,575 S 9/1997 Griffin
 D389,962 S 1/1998 Berfield et al.
 D426,359 S 6/2000 Griffin et al.
 D429,042 S 8/2000 Griffin et al.
 D429,394 S 8/2000 Griffin et al.
 D429,855 S 8/2000 Griffin
 D429,857 S 8/2000 Griffin
 D430,367 S 8/2000 Griffin
 D430,713 S 9/2000 Griffin
 D438,678 S * 3/2001 Griffin D32/21
 D445,548 S 7/2001 Griffin
 D445,549 S 7/2001 Griffin
 D446,892 S * 8/2001 Griffin D32/23
 D447,292 S * 8/2001 Griffin D32/23
 D447,293 S 8/2001 Griffin
 D447,842 S 9/2001 Griffin
 D447,843 S 9/2001 Griffin

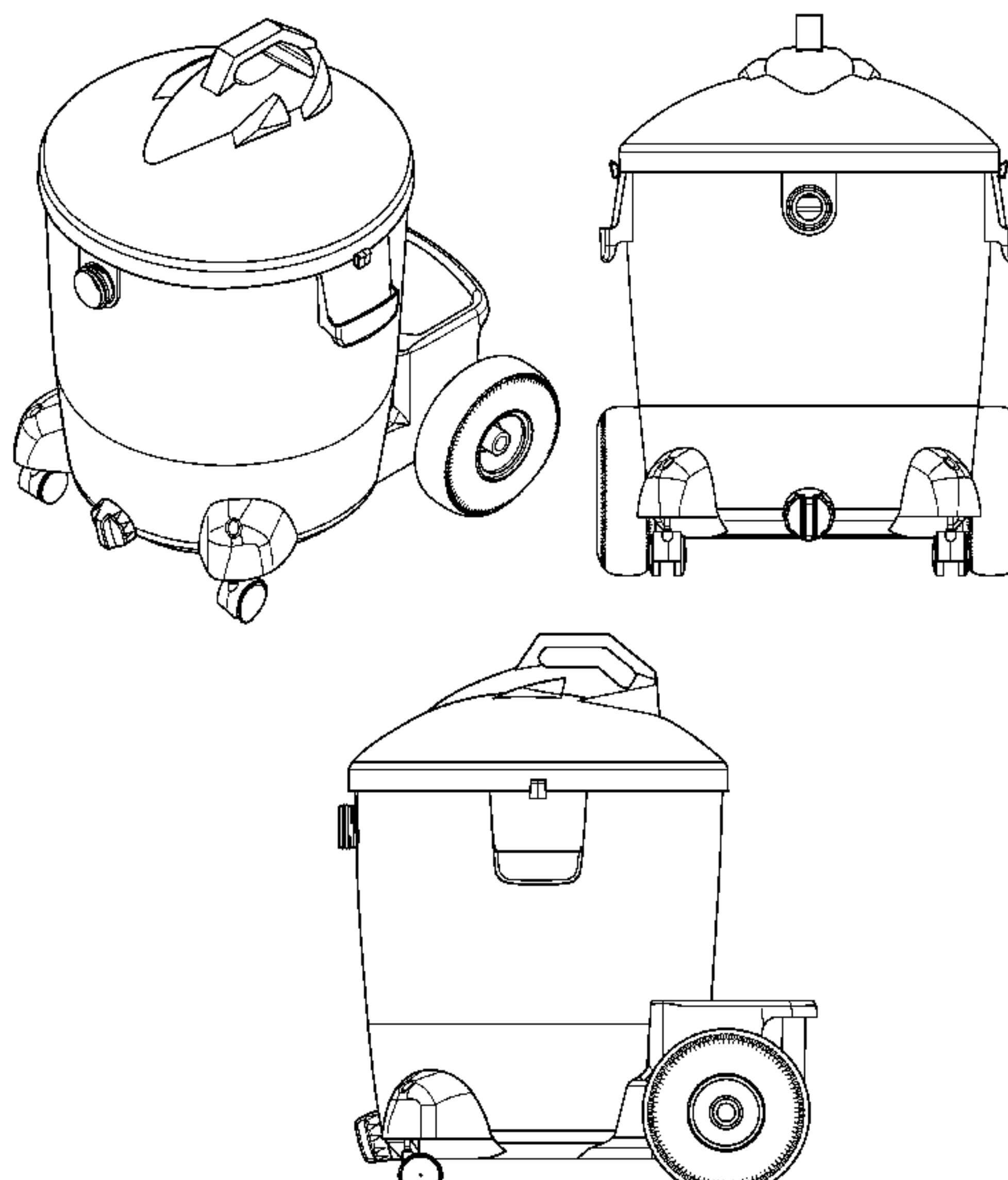


FIG. 1

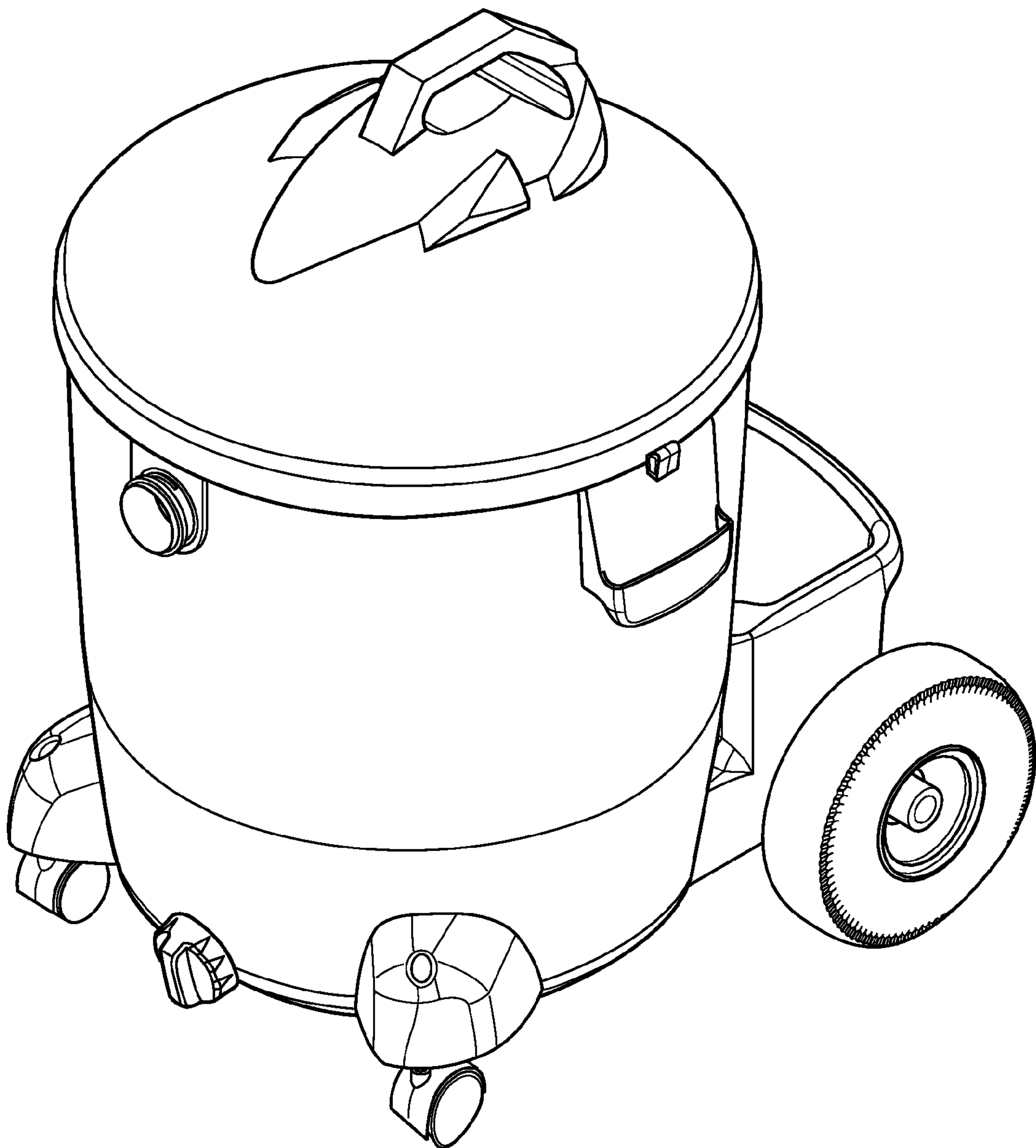


FIG. 2

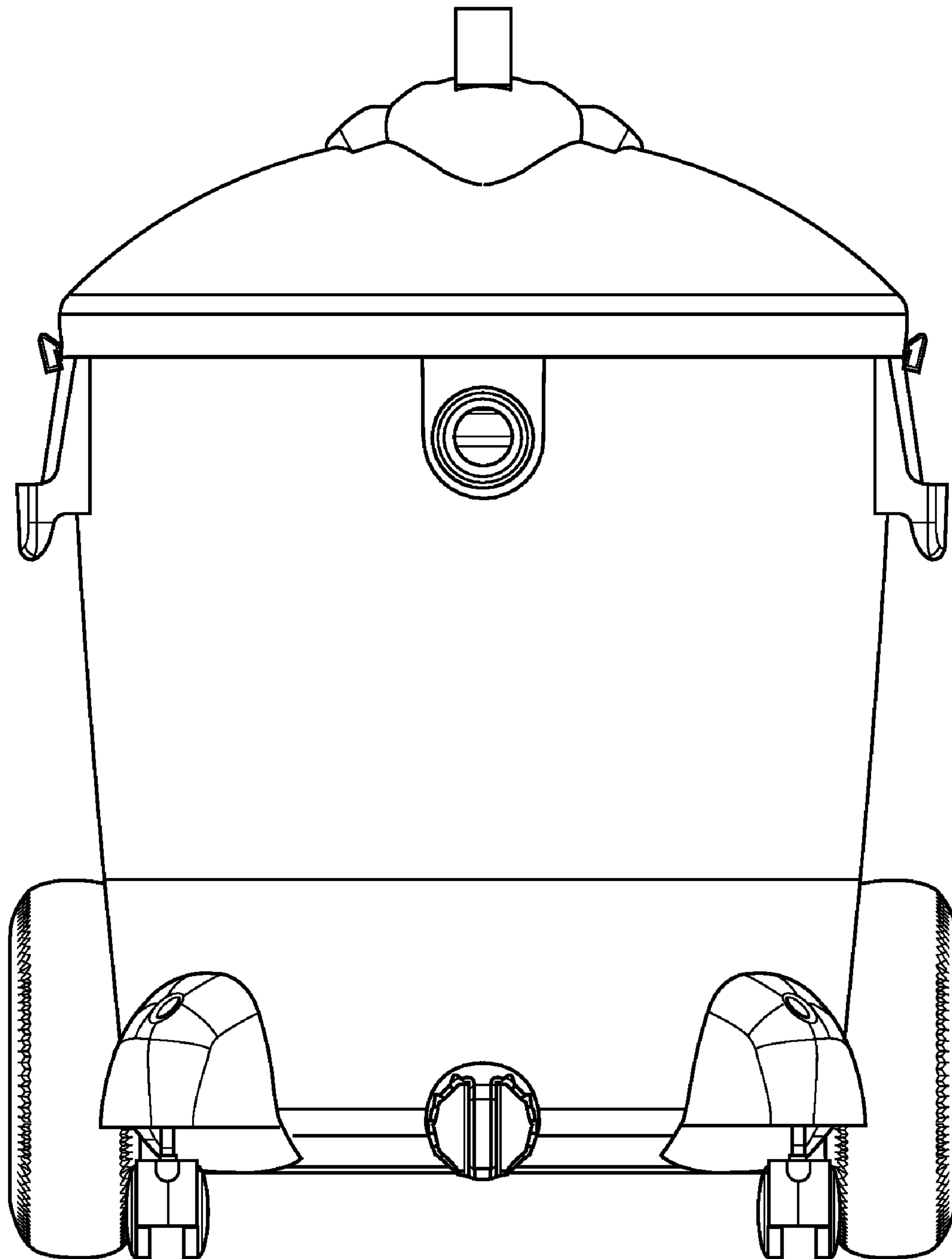


FIG. 3

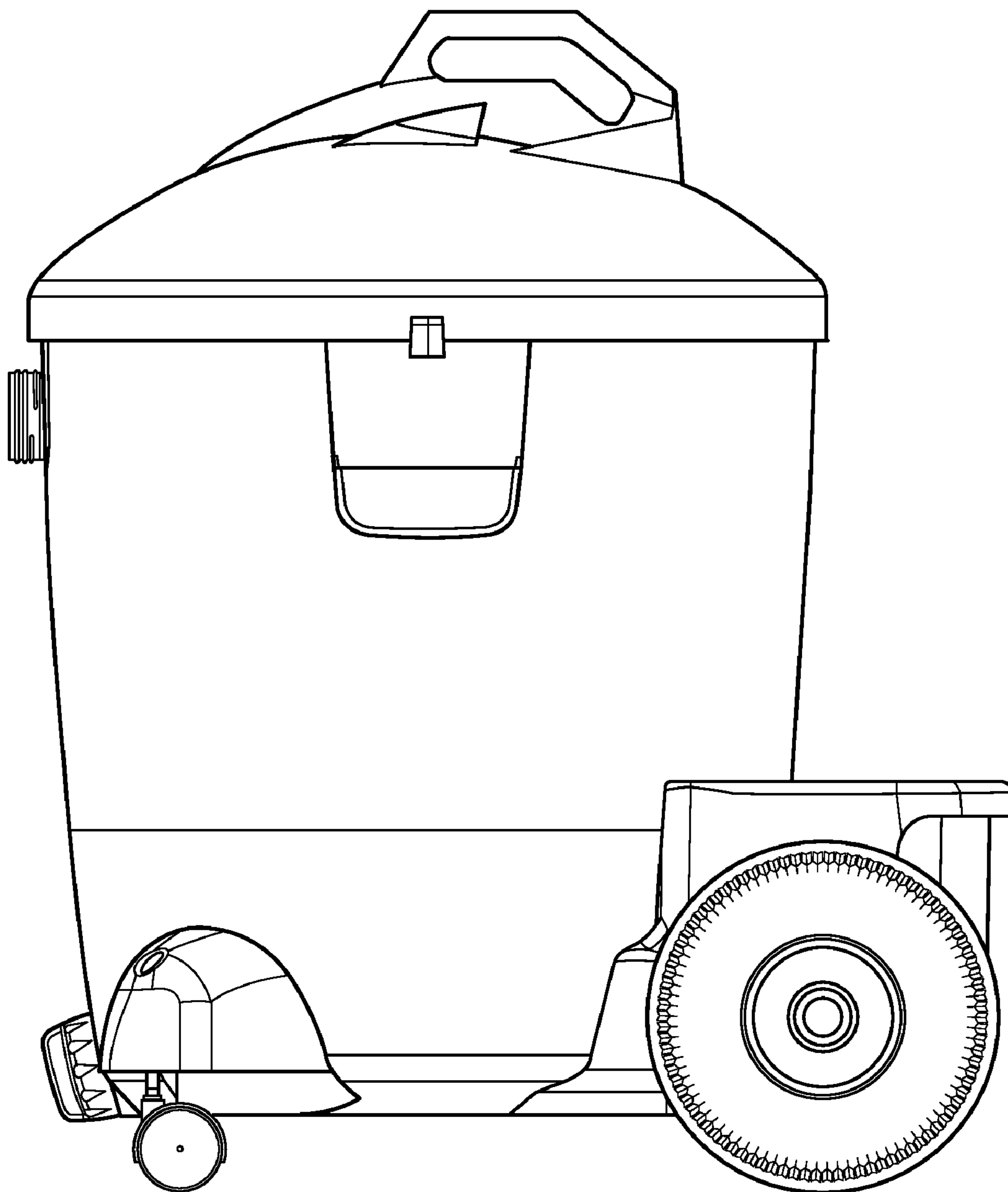


FIG. 4

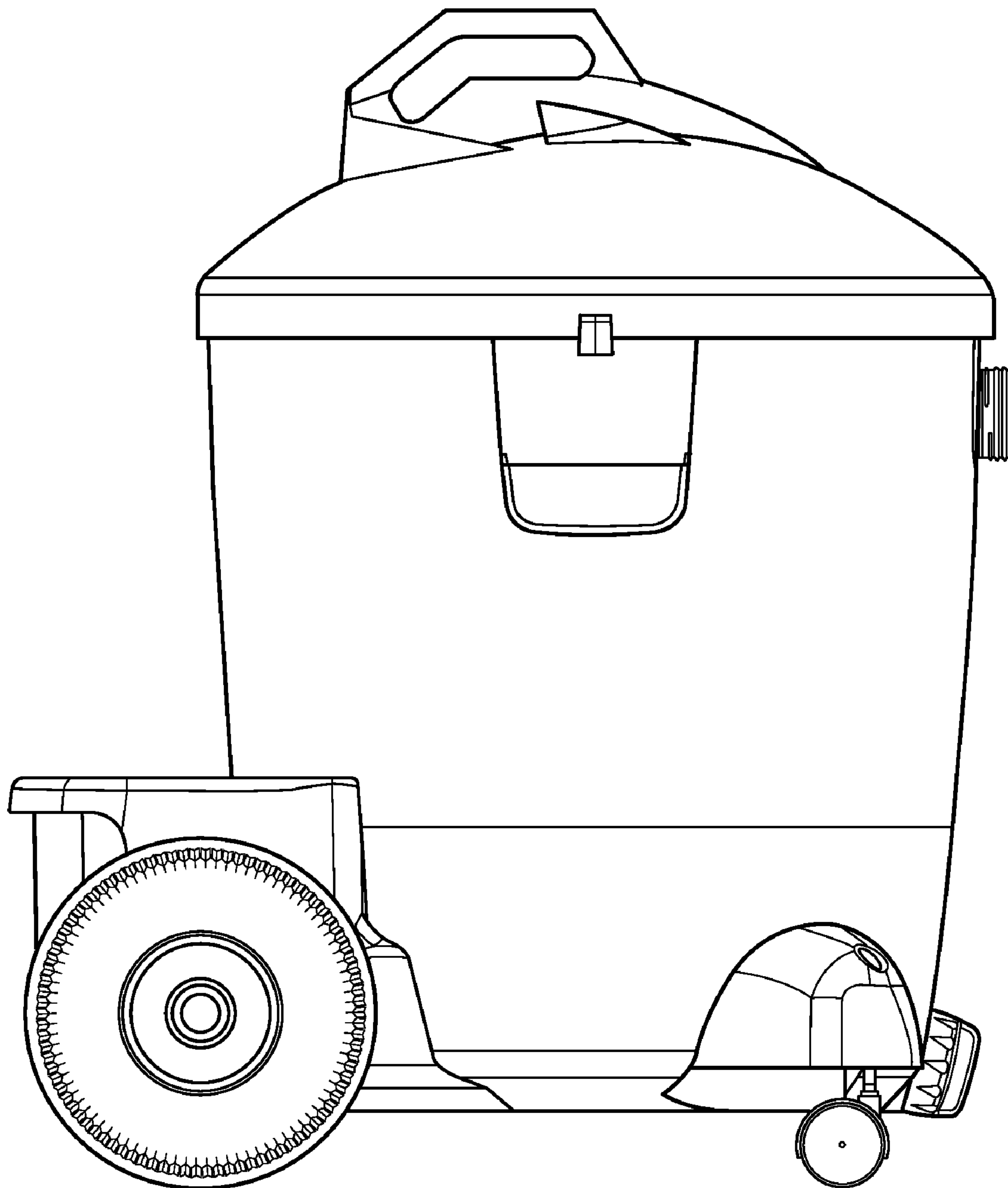


FIG. 5

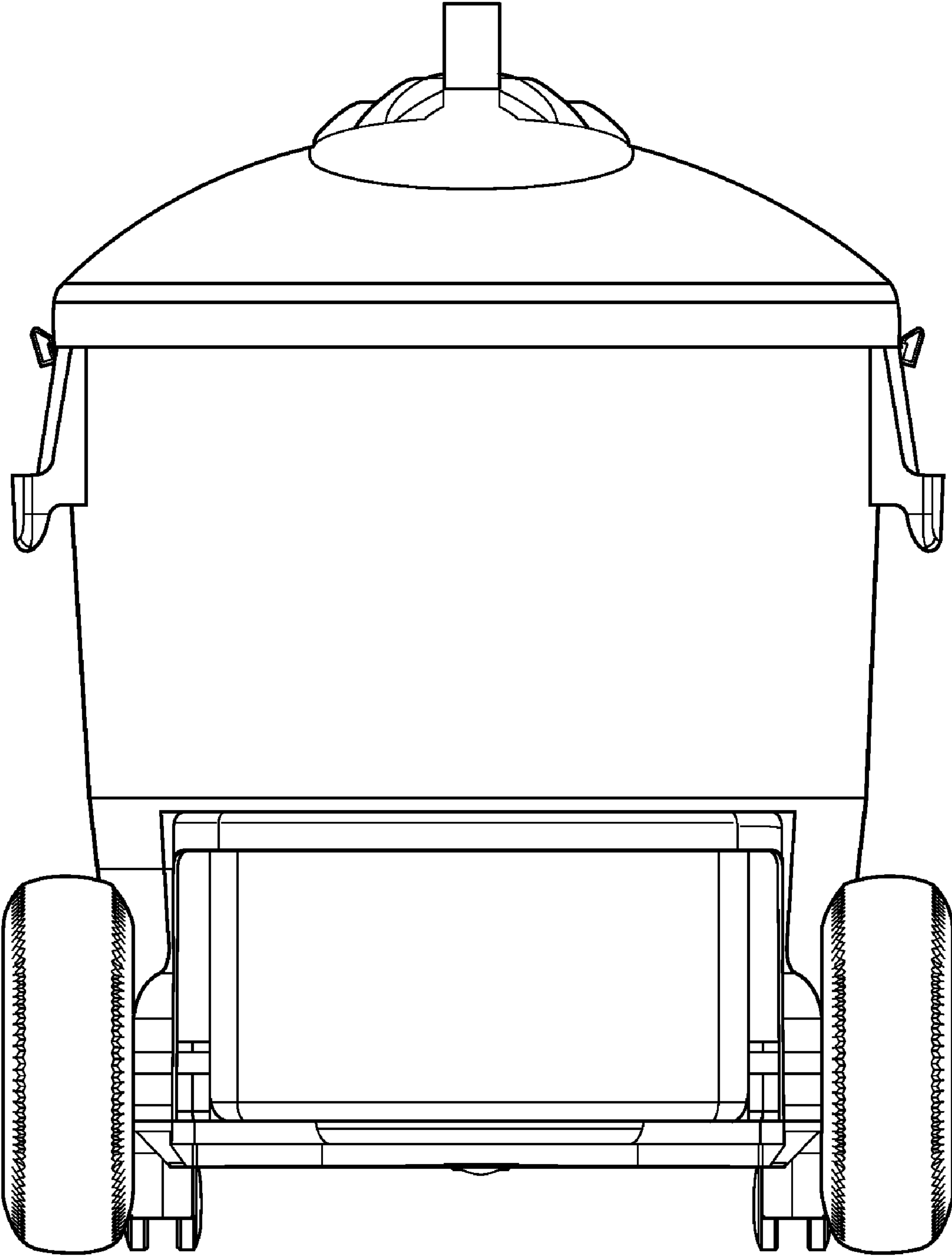


FIG. 6

