



US00D568007S

(12) **United States Design Patent** (10) **Patent No.:** **US D568,007 S**
Li (45) **Date of Patent:** **** Apr. 29, 2008**

(54) **JET CLEANING MACHINE**

(76) Inventor: **Jianfang Li**, Guoxiangqiao Village,
Lanjiang Street, Yuyao City, Zhejiang
Province (CN) 315409

(**) Term: **14 Years**

(21) Appl. No.: **29/287,461**

(22) Filed: **Aug. 10, 2007**

(30) **Foreign Application Priority Data**

Feb. 14, 2007 (CN) 2007 3 0004771

(51) **LOC (8) Cl.** **15-05**

(52) **U.S. Cl.** **D32/15**

(58) **Field of Classification Search** D3/1,
D3/4, 15, 17, 21-23, 31, 33-34; 15/320-323,
15/327.1, 327.4-327.7, 344, 347, 353, 410,
15/412, 414, 415.1-422

See application file for complete search history.

(56) **References Cited**

U.S. PATENT DOCUMENTS

D325,453	S	*	4/1992	Tsuge	D32/21
D386,842	S	*	11/1997	Hoshino et al.	D32/21
D418,643	S	*	1/2000	Hoshino	D32/21
6,101,669	A	*	8/2000	Martin et al.	15/327.2
D443,736	S	*	6/2001	Warth	D32/15
D462,488	S	*	9/2002	Santiago et al.	D32/18
D496,764	S	*	9/2004	Lopano	D32/21
D536,147	S	*	1/2007	Medema et al.	D32/18

D537,216	S	*	2/2007	Davis et al.	D32/18
D537,586	S	*	2/2007	Renner	D32/23
D549,893	S	*	8/2007	Chen	D32/4
2006/0207052	A1	*	9/2006	Tran	15/320

OTHER PUBLICATIONS

<http://www.ridgid.com/assets/thumpnail.asp?path=/ASSETS/E11464821CD44B5C9573ABF4195A84DB/> Dec. 7, 2007.*

http://www.allbrands.com/images/products_main/M_13000_ep923.jpg Dec. 7, 2007.*

* cited by examiner

Primary Examiner—Louis S. Zarfes

Assistant Examiner—Kathleen Sims

(74) *Attorney, Agent, or Firm*—Sughrue Mion, PLLC

(57) **CLAIM**

The ornamental design for a jet cleaning machine, as shown and described.

DESCRIPTION

FIG. 1 is a front elevation view of a jet cleaning machine showing my new design;

FIG. 2 is a rear elevation view thereof;

FIG. 3 is a side elevation view thereof;

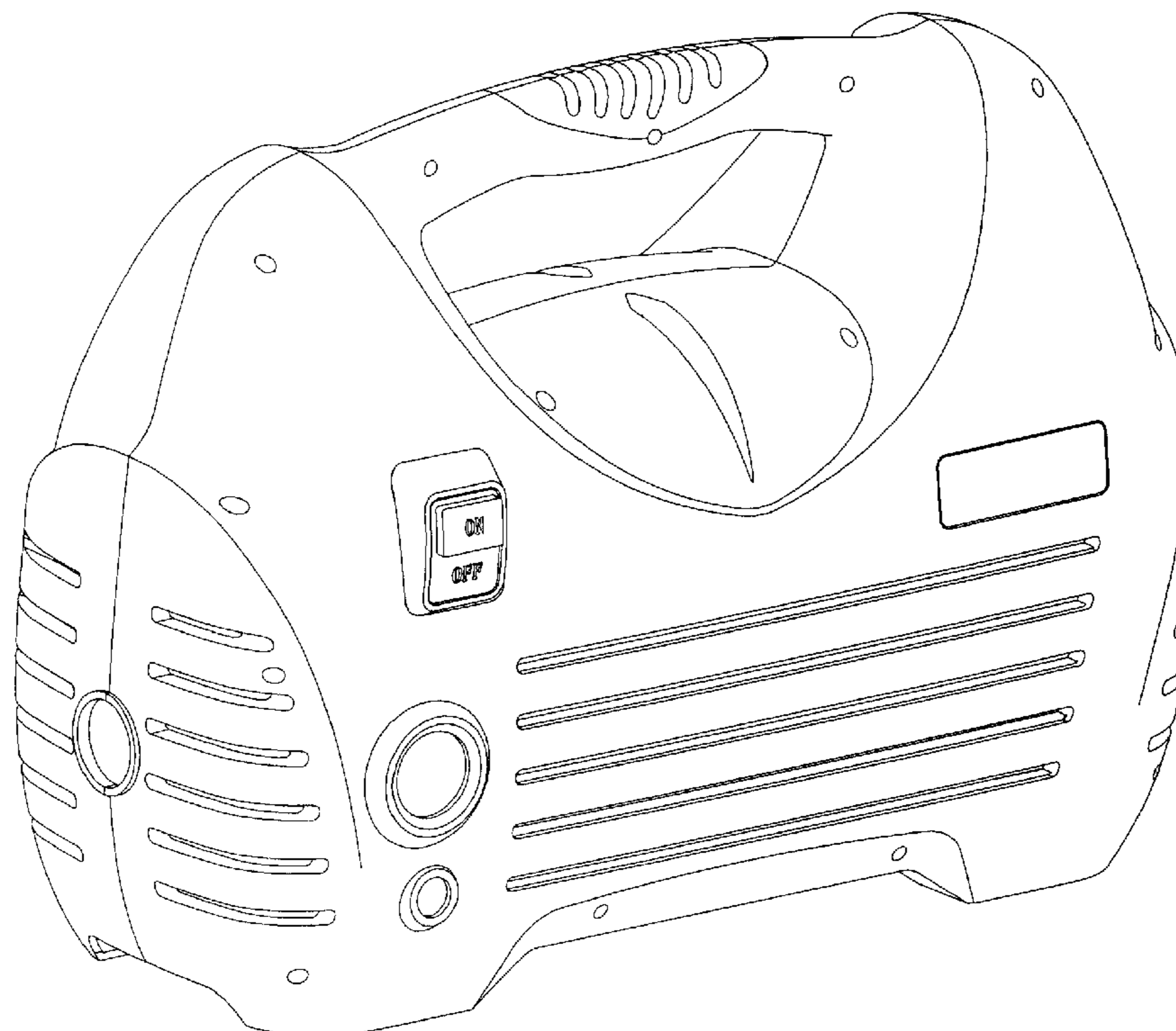
FIG. 4 is a opposite side elevation view thereof;

FIG. 5 is a top plan view thereof;

FIG. 6 is a bottom plan view thereof; and,

FIG. 7 is a perspective view thereof.

1 Claim, 7 Drawing Sheets



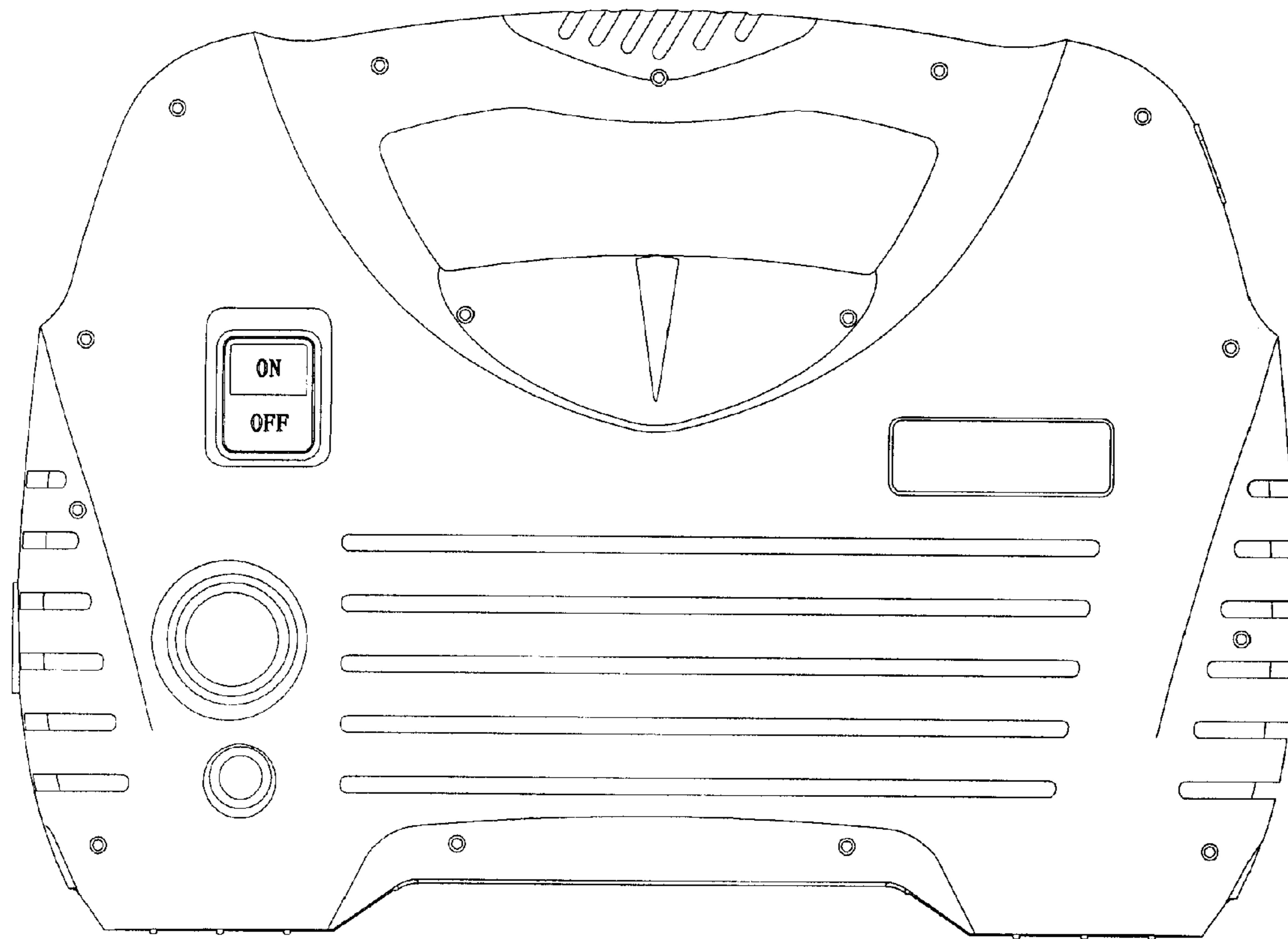


FIG. 1

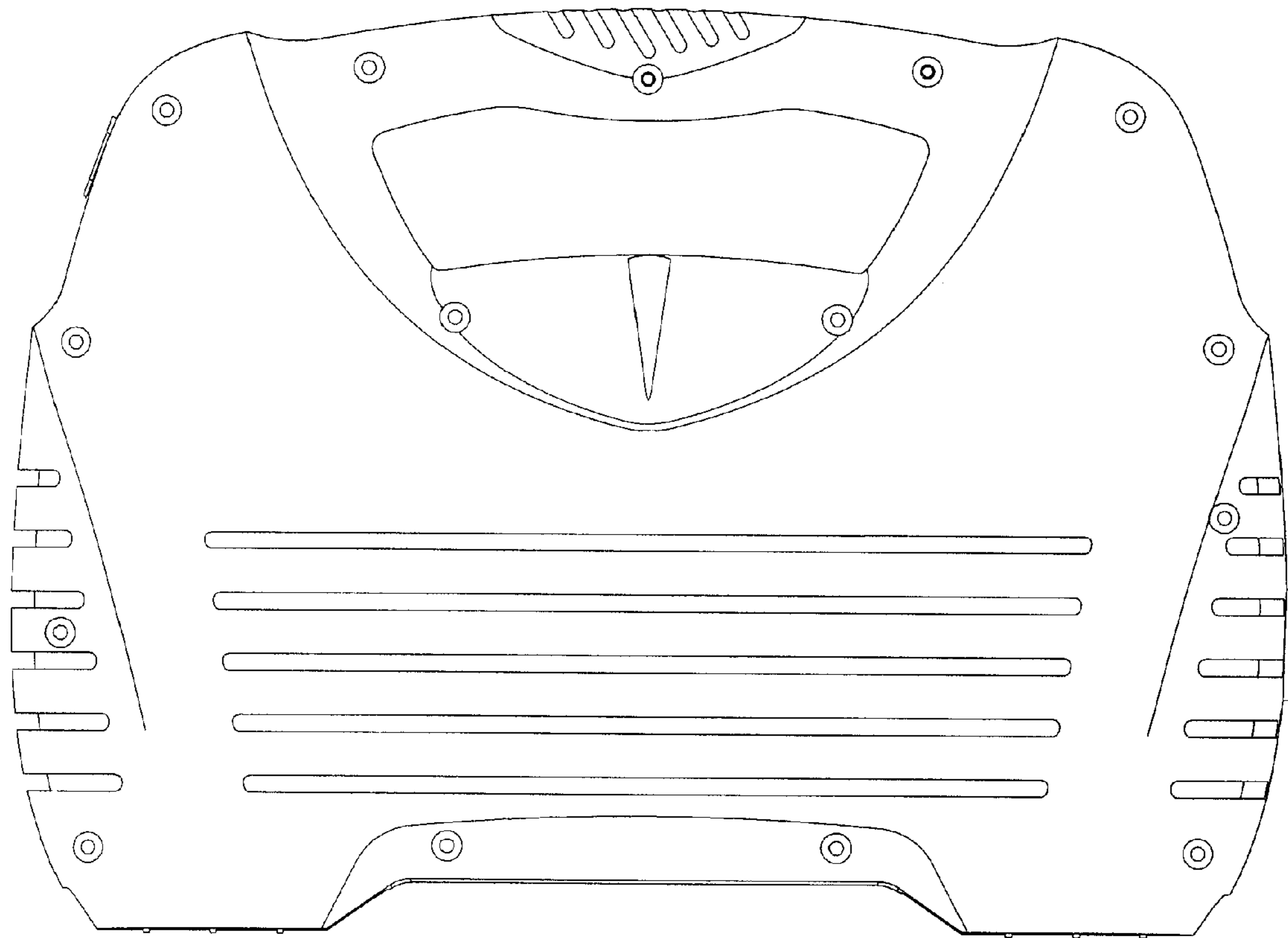


FIG. 2

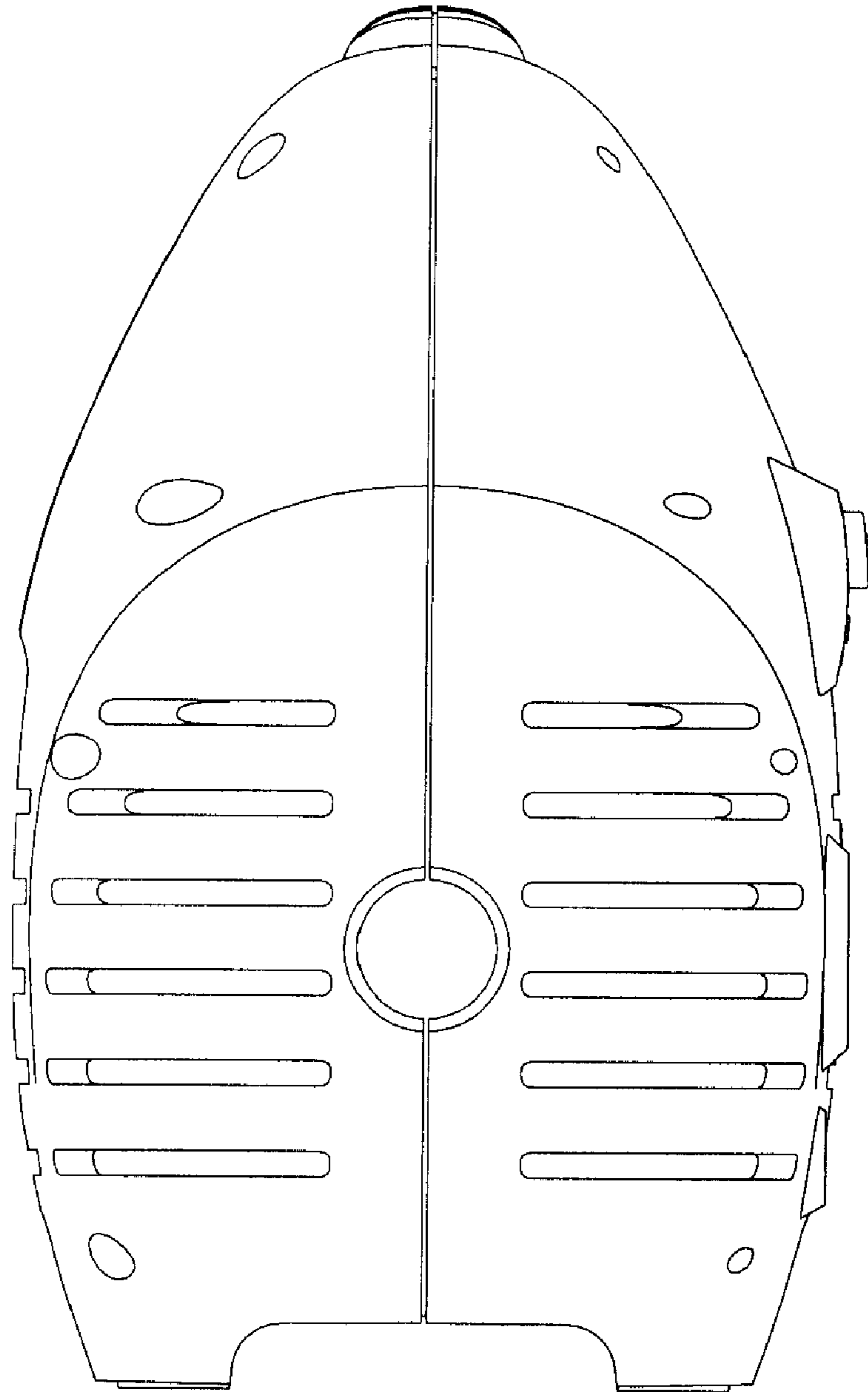


FIG. 3

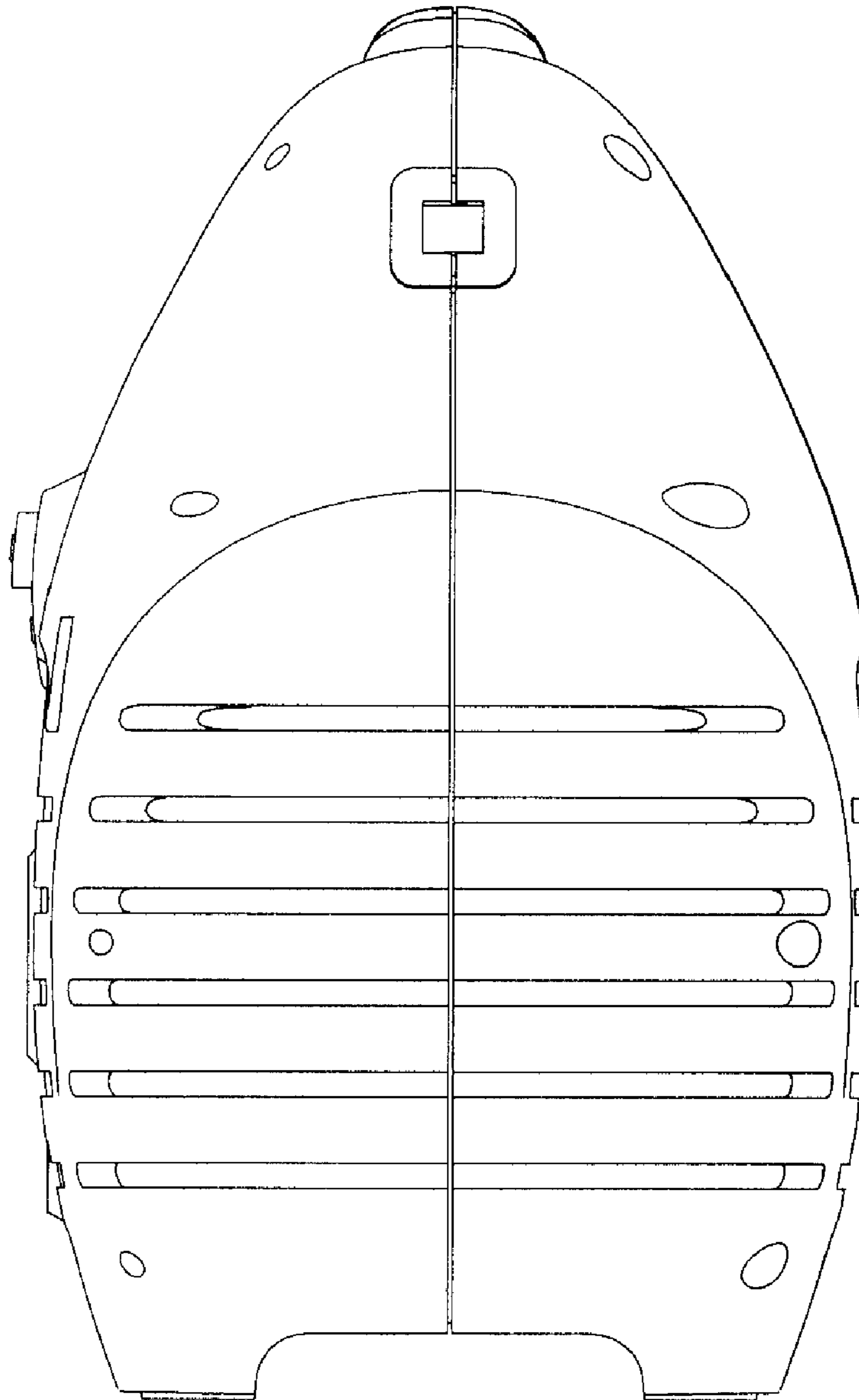


FIG. 4

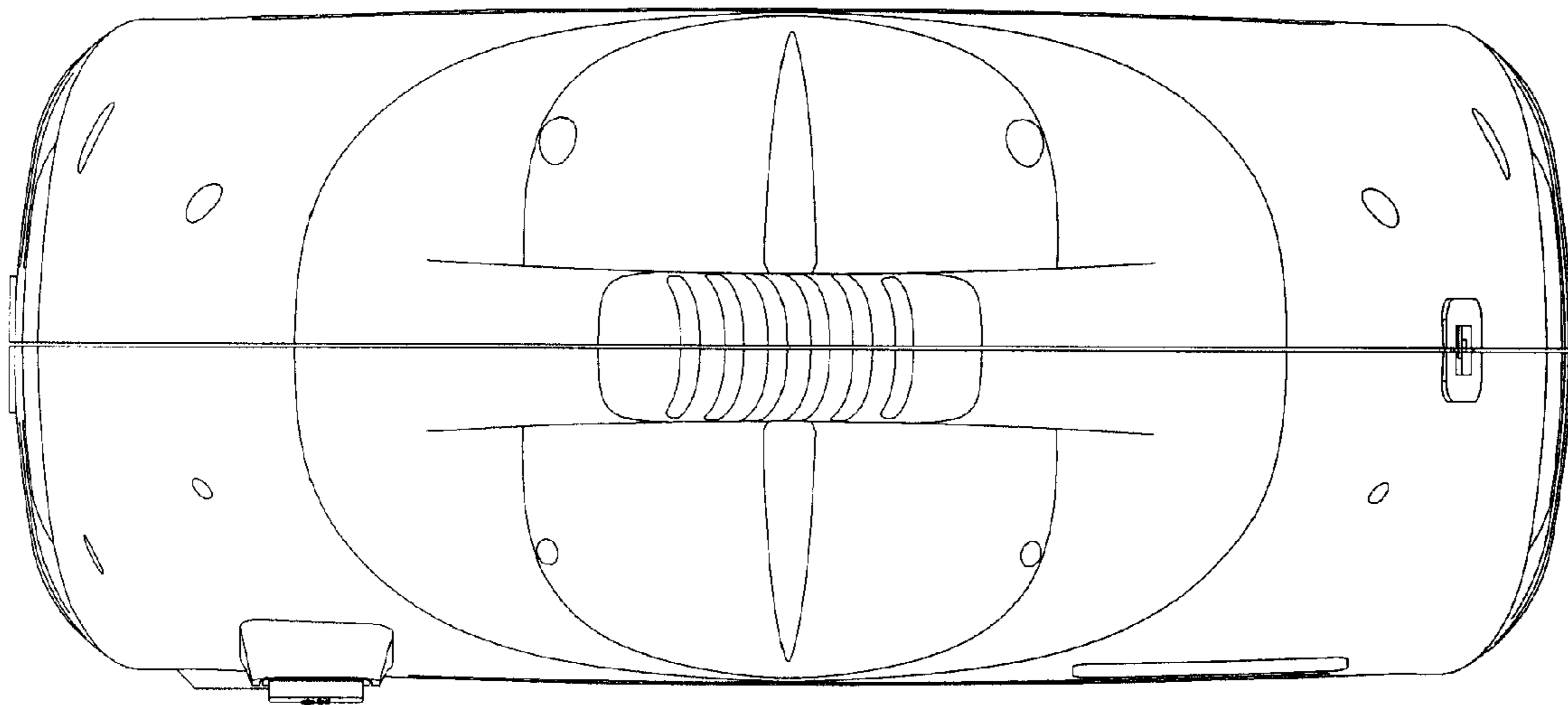


FIG. 5

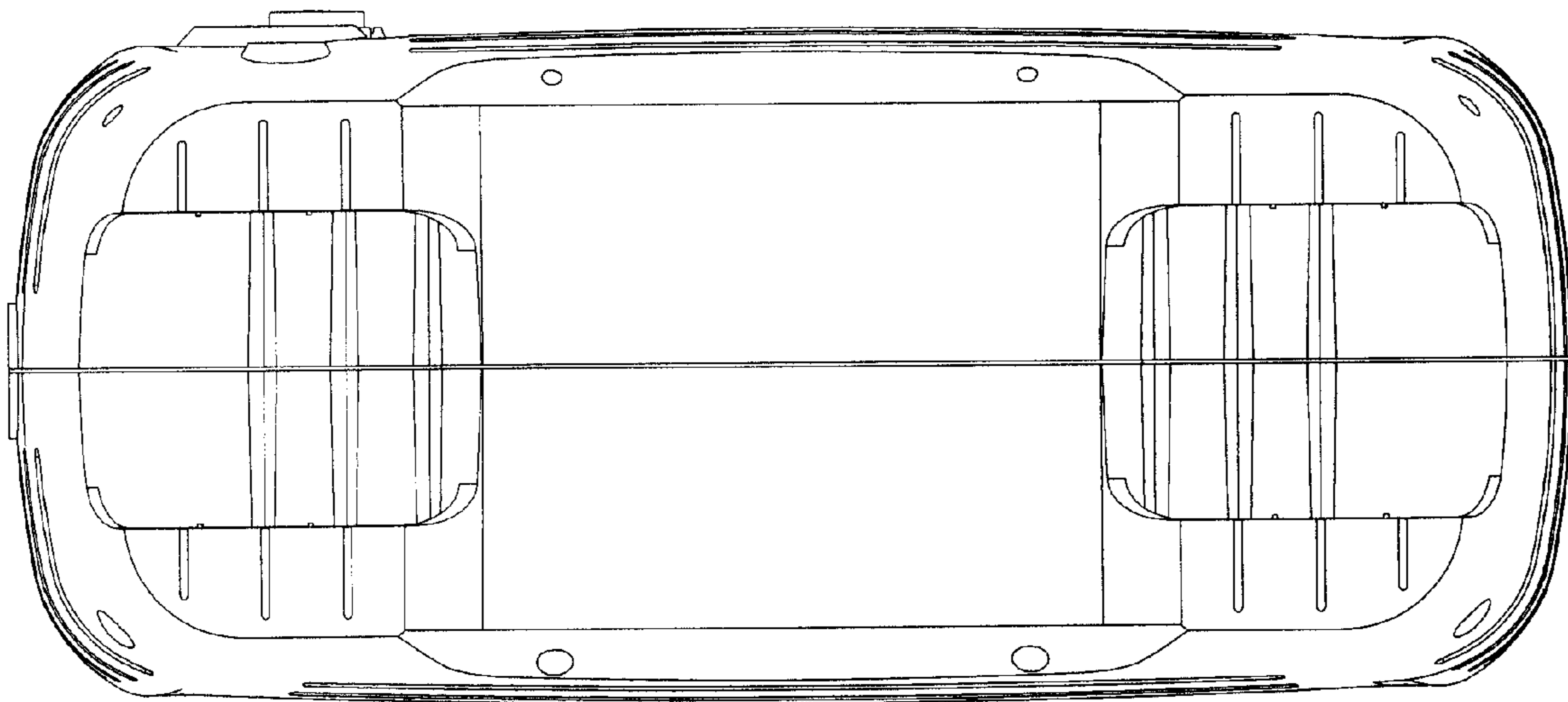


FIG. 6

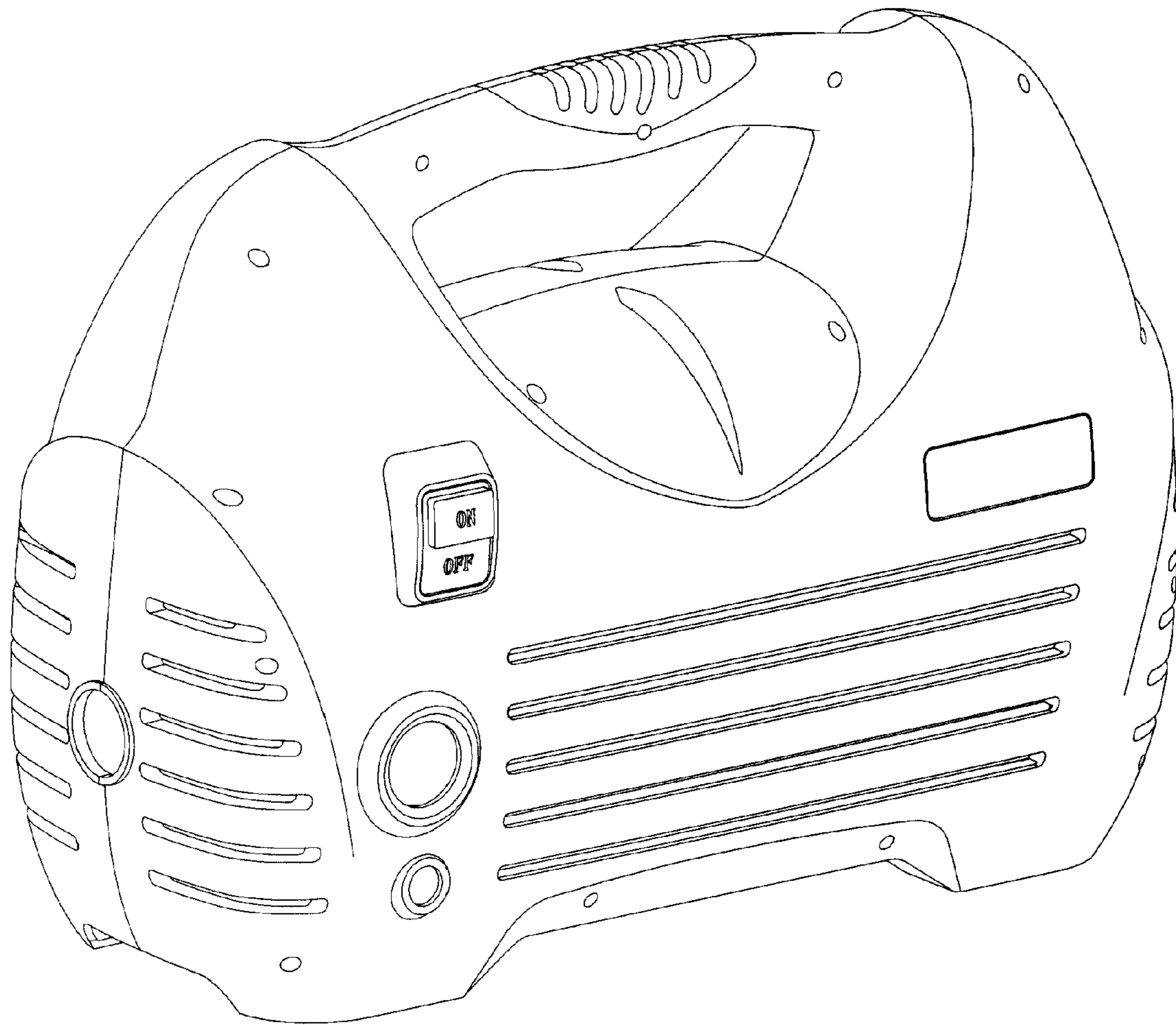


FIG. 7