



US00D568004S

(12) **United States Design Patent**  
**Tiemann**

(10) **Patent No.:** **US D568,004 S**

(45) **Date of Patent:** **\*\* Apr. 29, 2008**

(54) **PORTABLE PET DISH**

(75) Inventor: **Frank Tiemann**, Madison Lake, MN (US)

(73) Assignee: **Nifty Home Products, Inc.**, Madison Lake, MN (US)

(\*\*) Term: **14 Years**

(21) Appl. No.: **29/286,909**

(22) Filed: **May 22, 2007**

(51) **LOC (8) Cl.** ..... **30-03**

(52) **U.S. Cl.** ..... **D30/133; D30/121; D30/129; D30/131; D30/132**

(58) **Field of Classification Search** ..... D30/121, D30/122, 129-133; 119/61.5, 51.01, 61, 119/56, 51.03, 59, 62, 63, 51.5, 57.8, 74, 119/61.54, 61.55; 312/204; 248/151, 188, 248/315; 108/156, 153.1-157; 220/23.87, 220/630, 737, 743, 9.4, 495.01, 574, 212, 220/255, 23.83, 23.4; 206/515; D7/586, D7/543, 550.1, 587, 505, 584, 545, 500, 553.1-553.8, D7/546, 555, 556, 504, 565, 562, 602, 704-706, D7/621, 600, 601, 407, 402; D9/429; 43/109; D22/122; 99/430, DIG. 15; 294/160, 143; 211/74

See application file for complete search history.

(56) **References Cited**

**U.S. PATENT DOCUMENTS**

- 240,891 A \* 5/1881 Cook ..... 220/743
- D20,134 S \* 9/1890 Alden ..... D7/600
- D157,803 S \* 3/1950 Ulmer ..... D7/357
- 2,584,301 A \* 2/1952 Sinclair ..... 119/61.53
- D166,410 S \* 4/1952 Press ..... D7/364
- D180,676 S \* 7/1957 Thorpe ..... D7/704
- 2,801,609 A \* 8/1957 Webster ..... 119/51.03

- D186,415 S \* 10/1959 Ikeda ..... D7/704
- D236,412 S \* 8/1975 Koretz ..... D7/600
- D237,980 S \* 12/1975 Clugston ..... D30/121
- D257,068 S \* 9/1980 Imhoff ..... D30/129
- D261,465 S \* 10/1981 Minchew ..... D7/555
- 4,399,772 A \* 8/1983 Salinas ..... 119/51.5
- D288,053 S \* 2/1987 Maza et al. .... D7/704
- D302,756 S \* 8/1989 Trine ..... D30/133
- D345,892 S \* 4/1994 Heiberg et al. .... D7/543
- D352,001 S \* 11/1994 Hsieh ..... D9/429
- D375,819 S \* 11/1996 Benson ..... D30/133
- D441,621 S \* 5/2001 Levy ..... D7/704

\* cited by examiner

*Primary Examiner*—Melanie Tung

*Assistant Examiner*—Susan Moon Lee

(74) *Attorney, Agent, or Firm*—Thomas J. Nikolai; Nikolai & Mersereau, P.A.

(57) **CLAIM**

I claim the ornamental design for a portable pet dish, as shown and described.

**DESCRIPTION**

FIG. 1 is a perspective view of a portable pet dish showing my new design in an open position;

FIG. 2 is a bottom view of the portable pet dish shown in slight perspective;

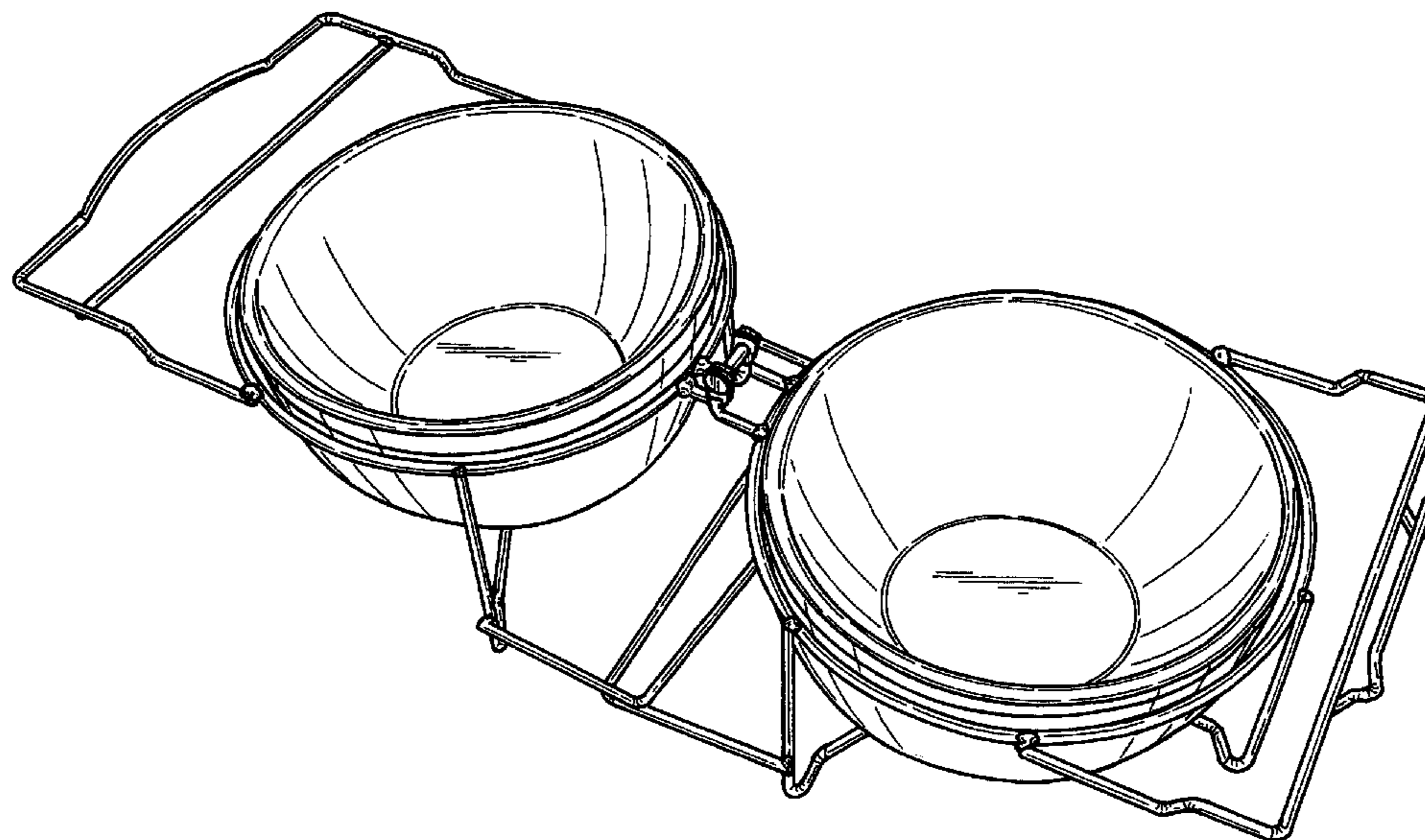
FIG. 3 is an enlarged right view of the portable pet dish shown in slight perspective;

FIG. 4 is an enlarged left view of the portable pet dish shown in slight perspective;

FIG. 5 is a front view of the portable pet dish shown in slight perspective; and,

FIG. 6 is a perspective view of the portable pet dish in a closed position.

**1 Claim, 6 Drawing Sheets**



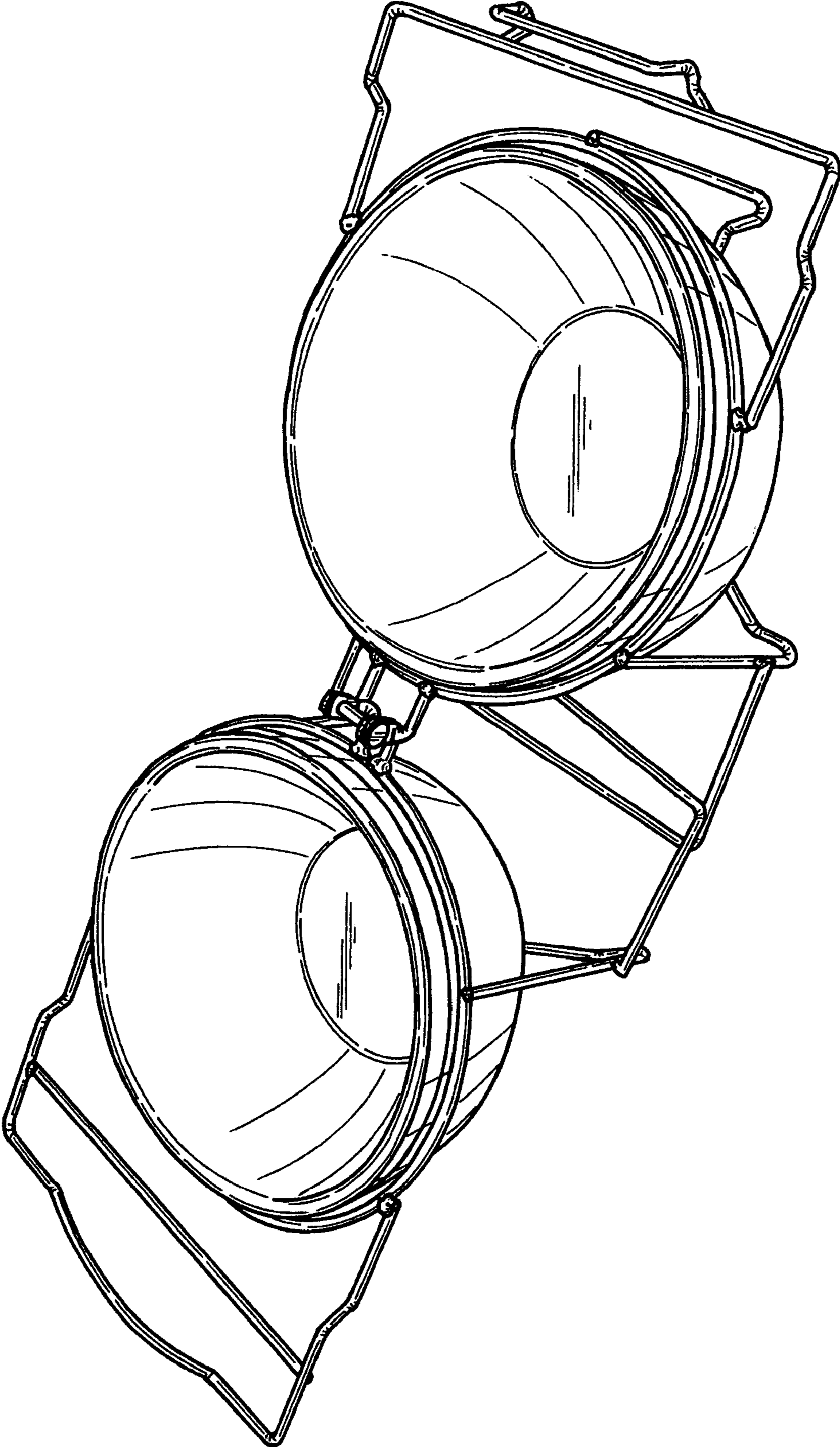


FIG. 1

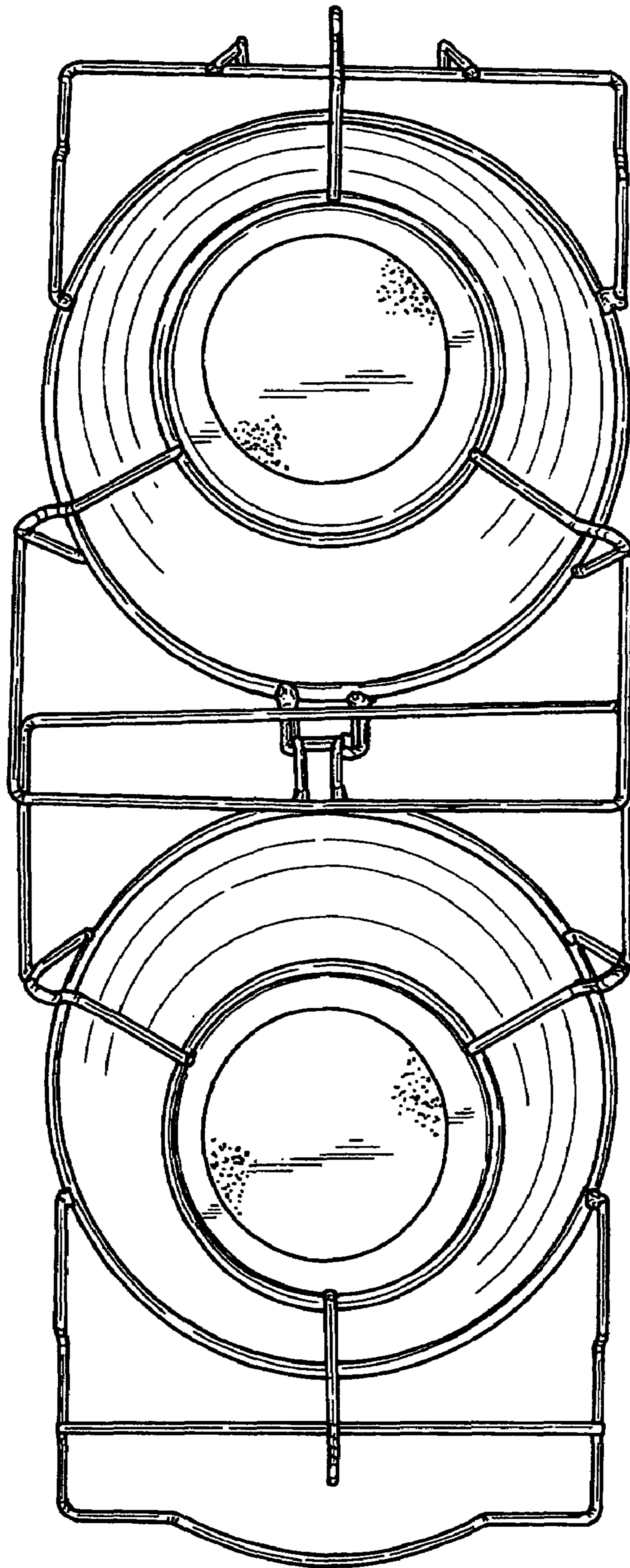


FIG. 2

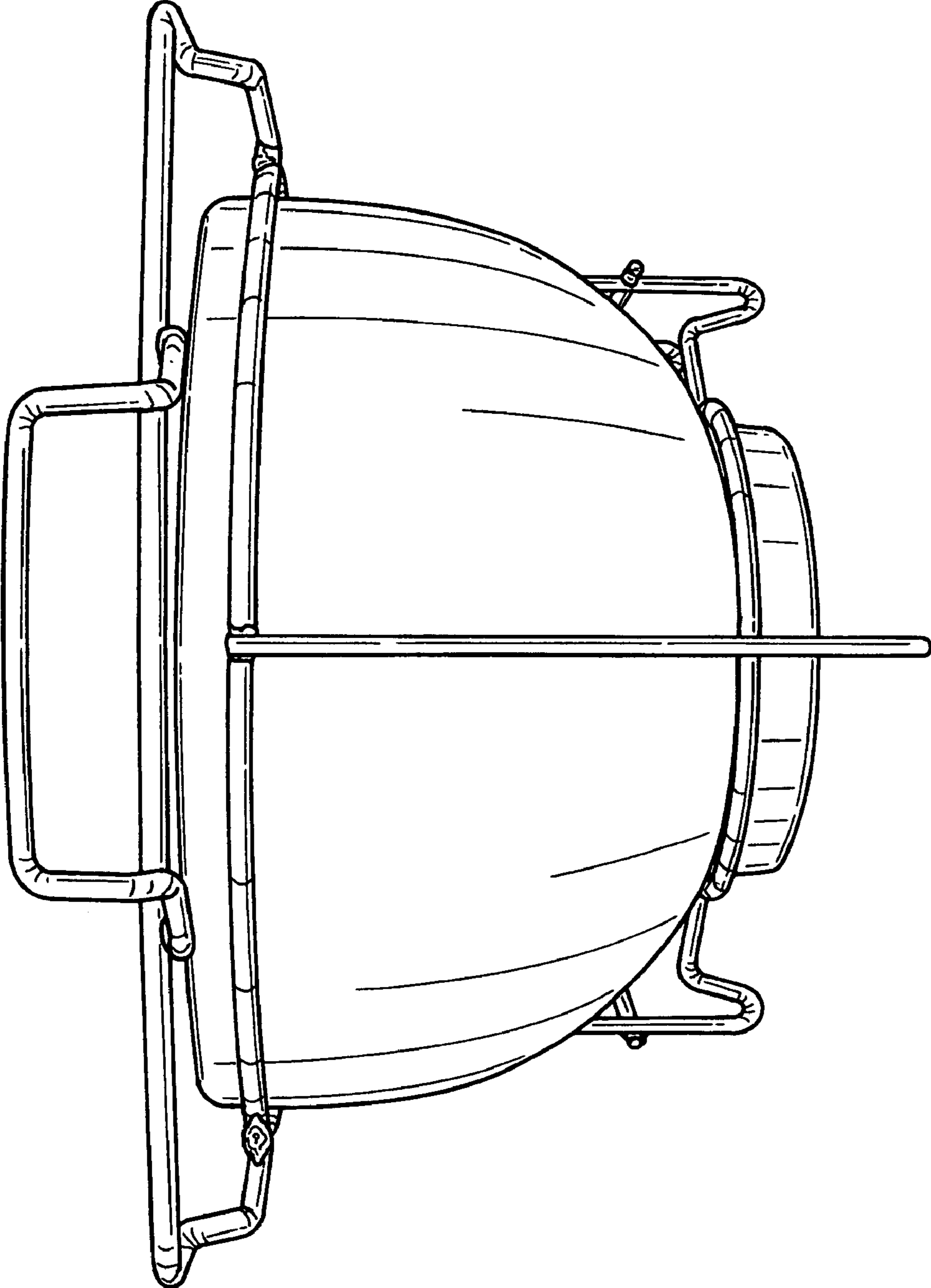


FIG. 3

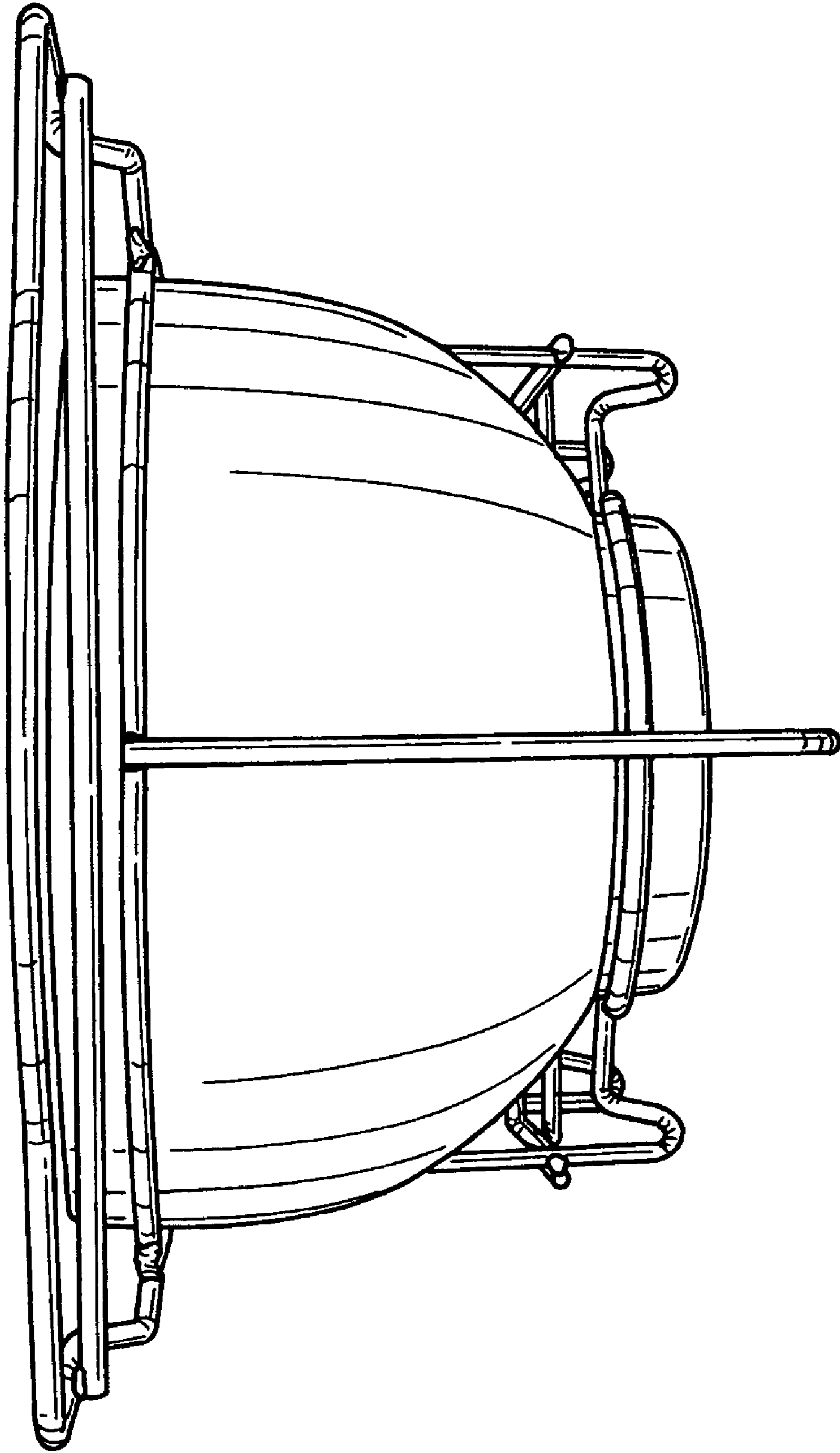


FIG. 4

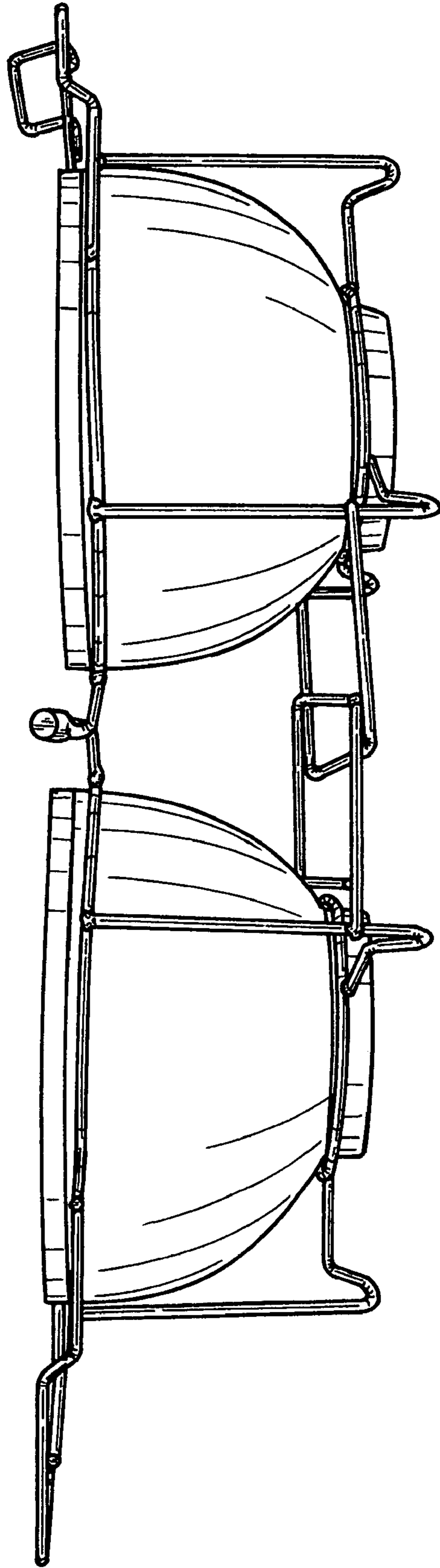


FIG. 5

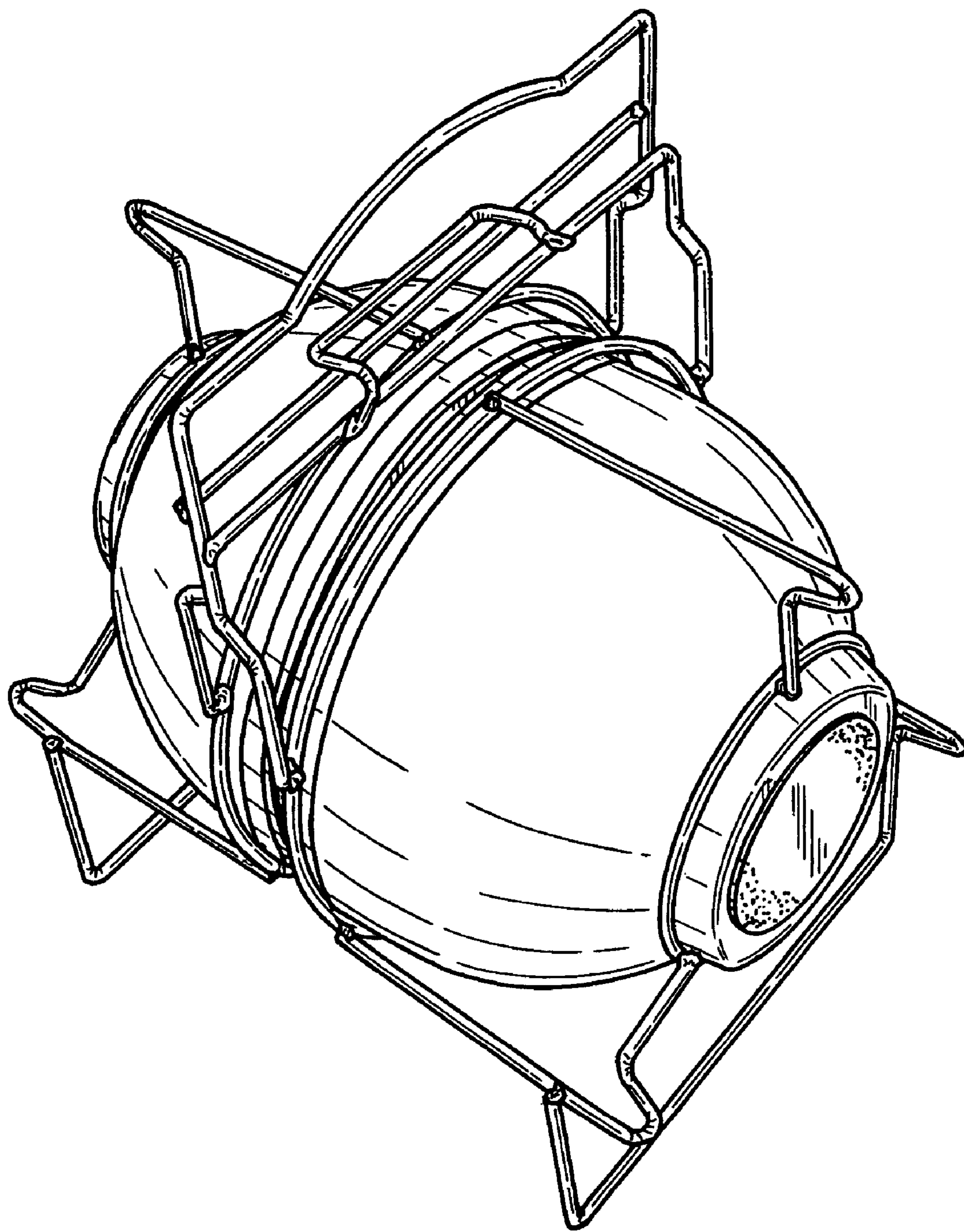


FIG. 6