



US00D568001S

(12) **United States Design Patent**  
**Cho**

(10) **Patent No.:** **US D568,001 S**

(45) **Date of Patent:** **\*\* Apr. 29, 2008**

(54) **TWEEZERS**

(76) **Inventor:** **Yong Hoon Cho**, 604 Murfield Ct.,  
Fullerton, CA (US) 92835

(\*\*) **Term:** **14 Years**

(21) **Appl. No.:** **29/291,286**

(22) **Filed:** **Aug. 22, 2007**

(51) **LOC (8) Cl.** ..... **28-03**

(52) **U.S. Cl.** ..... **D28/55**

(58) **Field of Classification Search** ..... D28/55;  
294/99.2; 606/210, 211; D24/143  
See application file for complete search history.

(56) **References Cited**

**U.S. PATENT DOCUMENTS**

2,042,985	A *	6/1936	Gardella	.....	606/210
D253,974	S *	1/1980	Nalbandian	.....	D28/55
D327,751	S *	7/1992	Colani	.....	D28/55
D448,118	S *	9/2001	Grisoni	.....	D28/55
D516,749	S *	3/2006	Haquin	.....	D28/55

\* cited by examiner

*Primary Examiner*—Jennifer Rivard

(74) *Attorney, Agent, or Firm*—Maria Erlinda Co Sarno

(57) **CLAIM**

The ornamental design for a tweezers, as shown and described.

**DESCRIPTION**

FIG. 1 is a perspective view of the capped safe tweezers showing my new design;

FIG. 2 is a top view of the capped tweezers thereof; the bottom view is a mirror image;

FIG. 3 is a left side view of the capped safe tweezers identical to the right side view of the capped safe tweezers thereof;

FIG. 4 is a front end view of the of the capped safe tweezers thereof;

FIG. 5 is a rear end view of the capped safe tweezers thereof;

FIG. 6 is a perspective view of the uncapped safe tweezers thereof;

FIG. 7 is a top view of the uncapped tweezers thereof, the bottom view is a mirror image;

FIG. 8 is a left side view of the uncapped safe tweezers thereof;

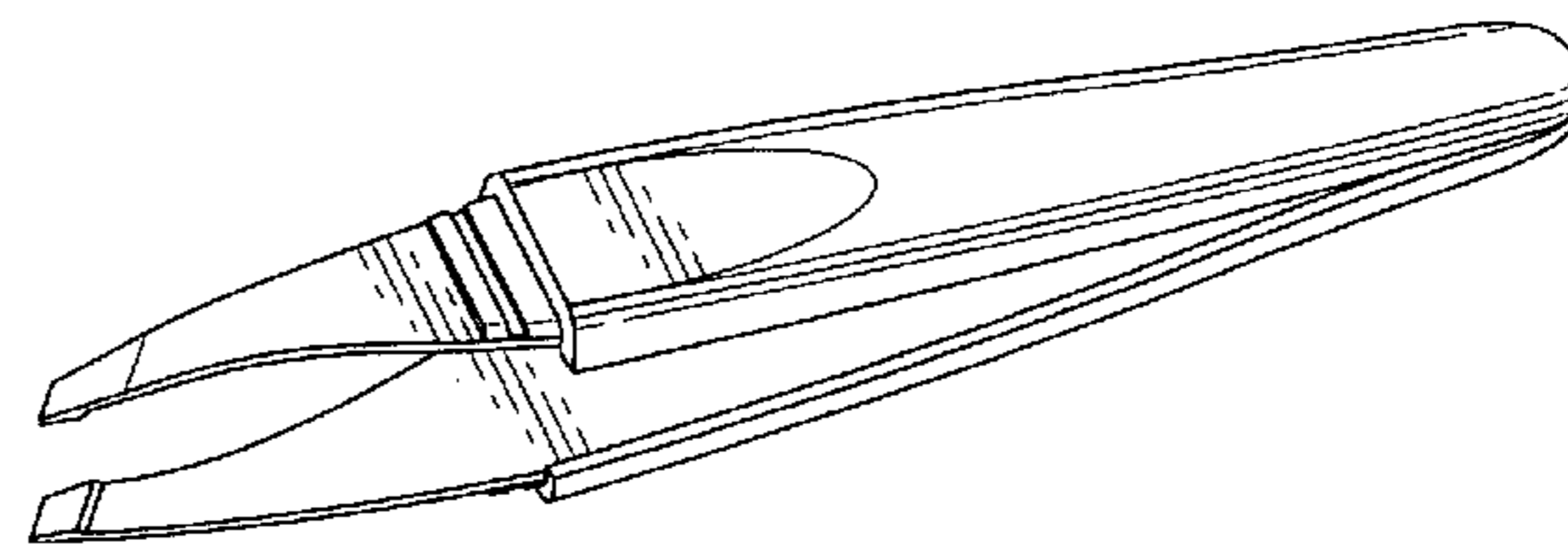
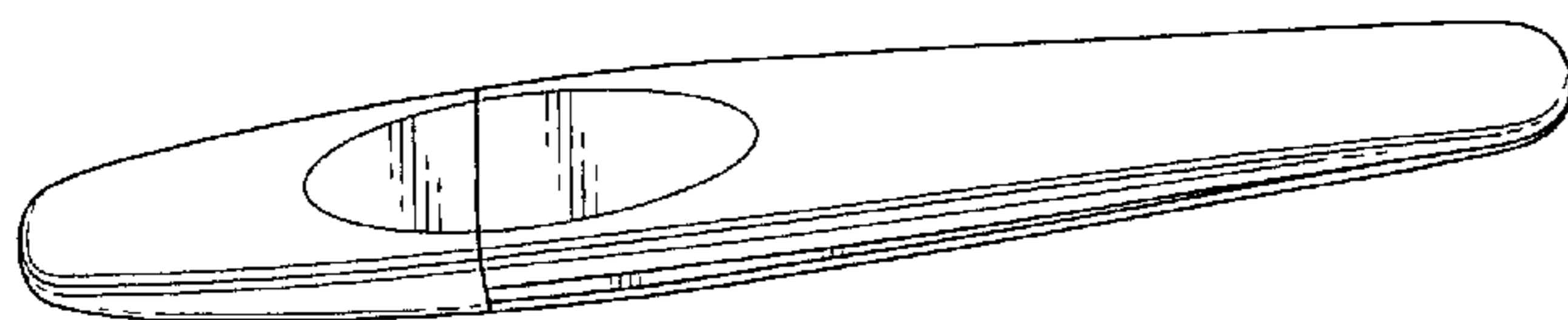
FIG. 9 is a right side view of the uncapped safe tweezers thereof;

FIG. 10 is a front end view of the of the uncapped safe tweezers thereof; and,

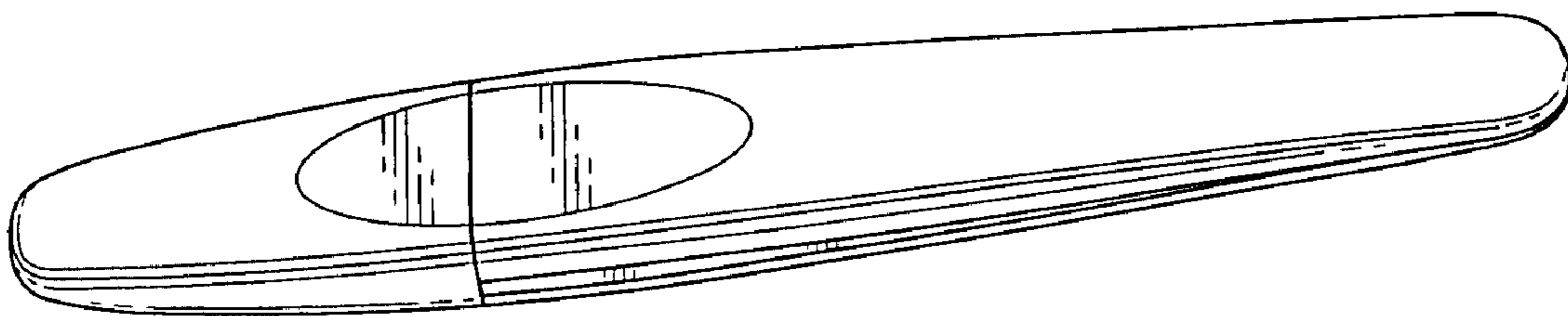
FIG. 11 is a rear end view of the uncapped safe tweezers thereof.

The tweezers are shown with and without the cap for convenience of illustration.

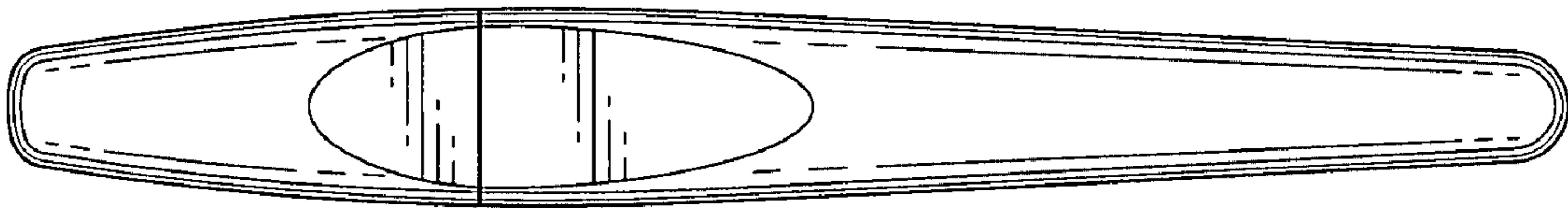
**1 Claim, 6 Drawing Sheets**



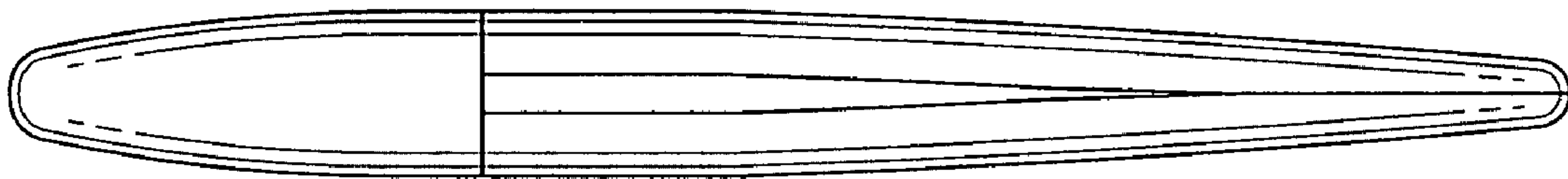
*FIG. 1*



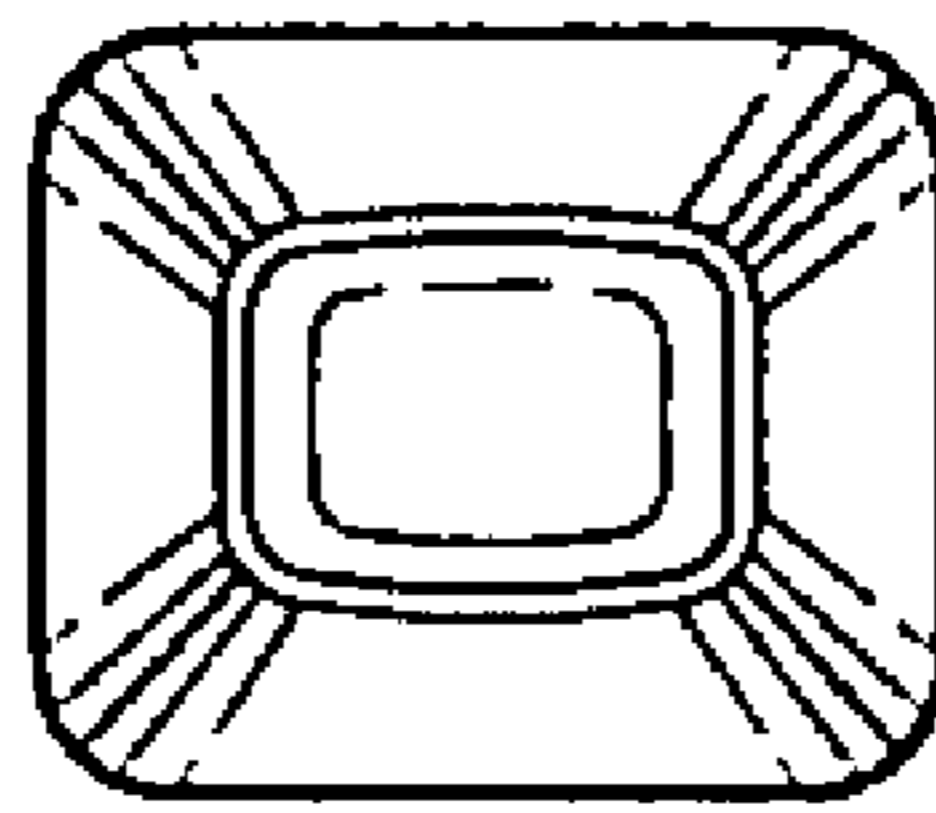
*FIG. 2*



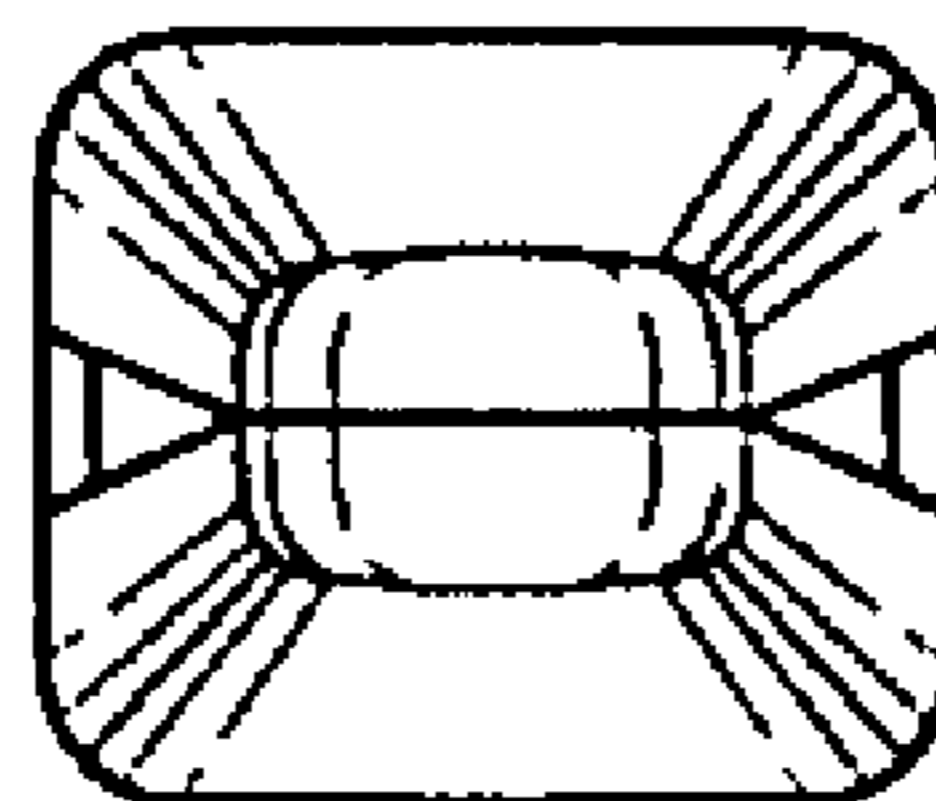
*FIG. 3*



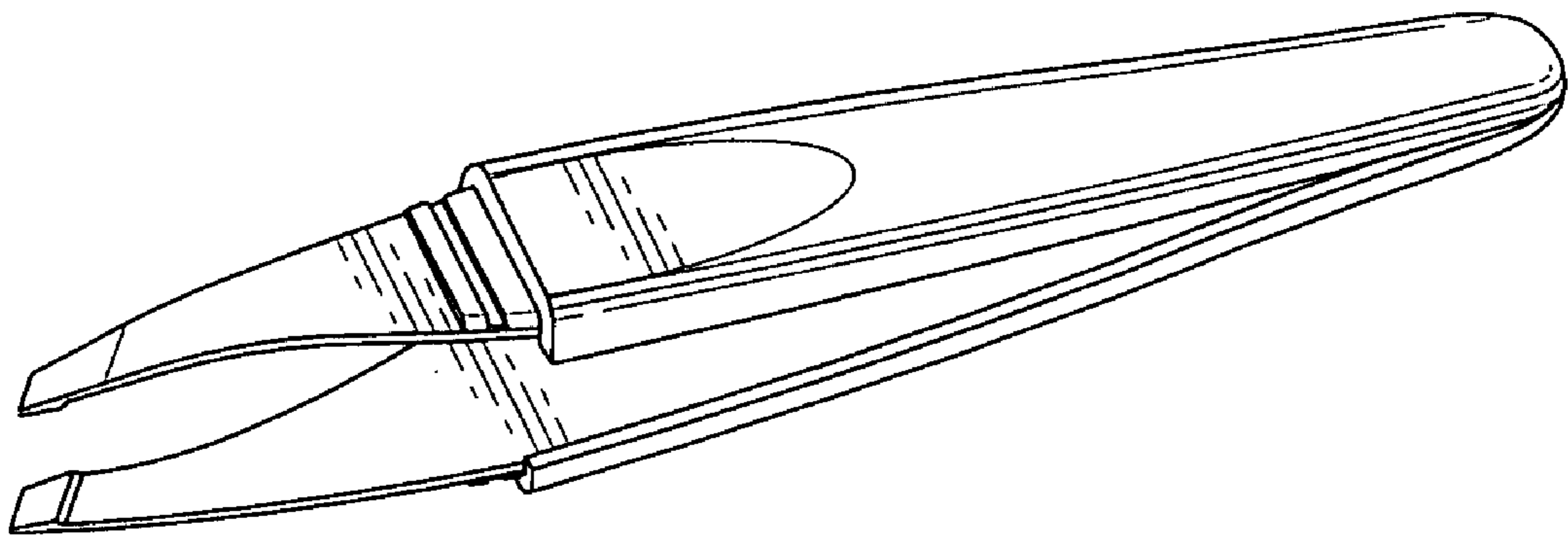
*FIG. 4*



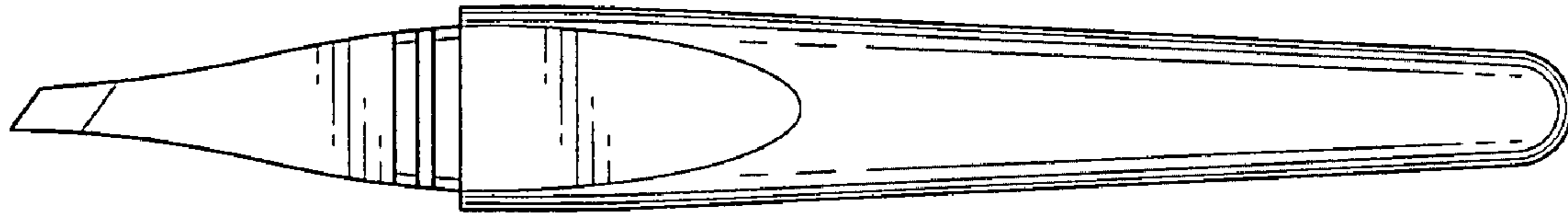
*FIG. 5*



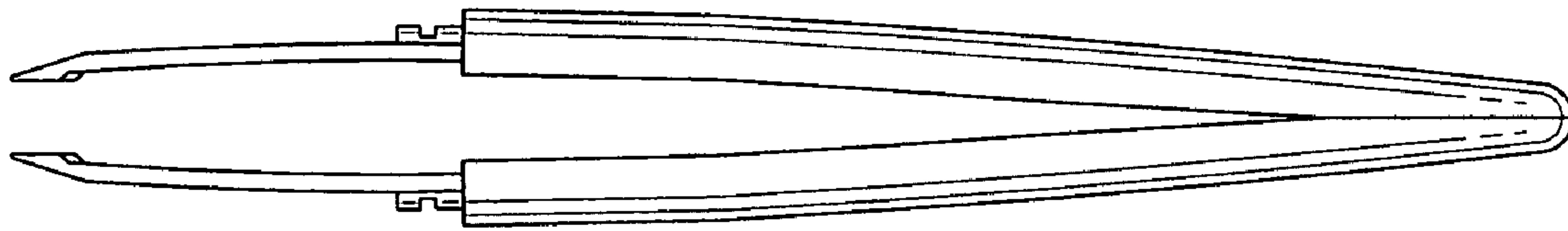
*FIG. 6*



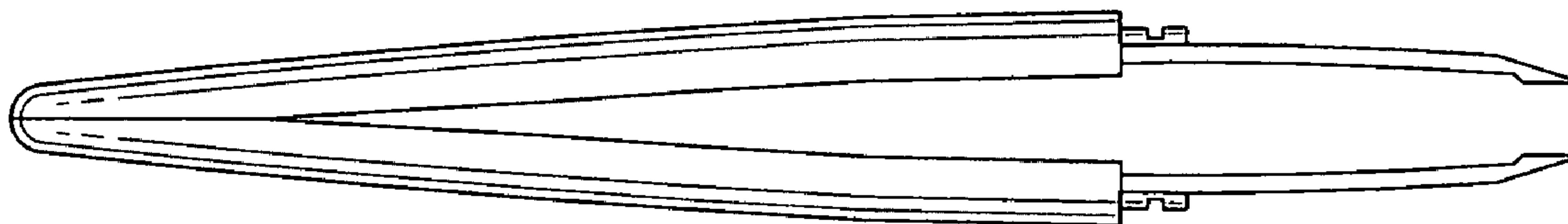
*FIG. 7*



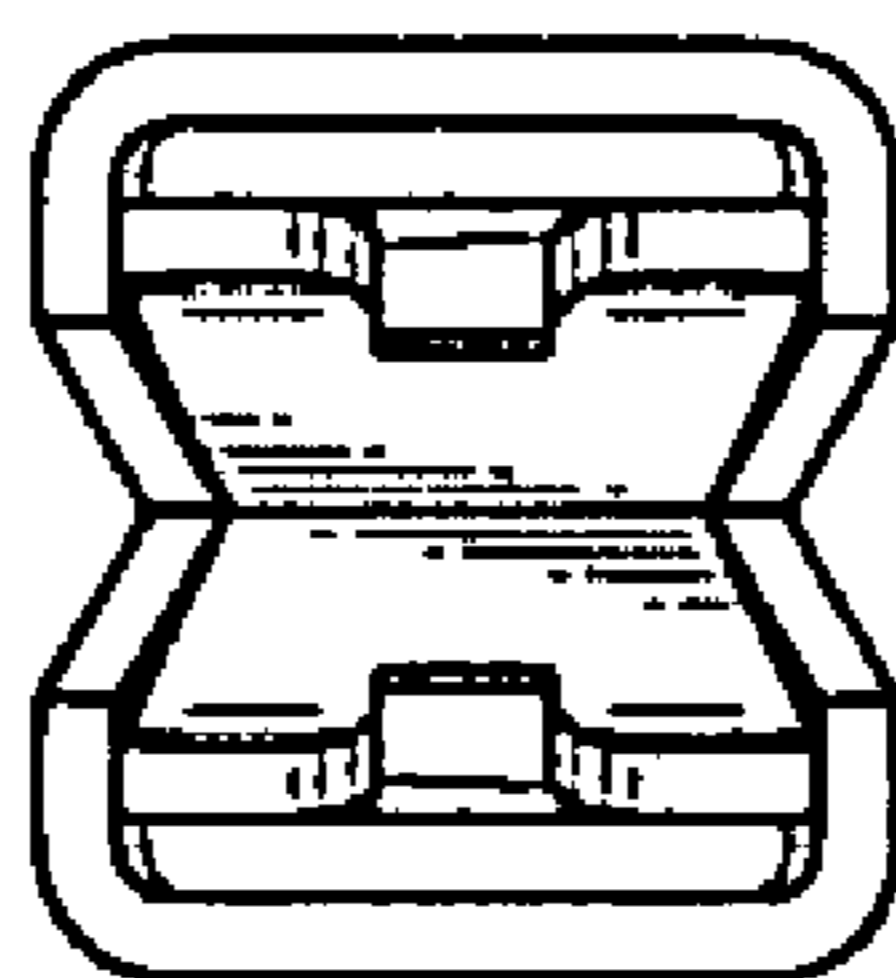
*FIG. 8*



*FIG. 9*



*FIG. 10*



*FIG. 11*

