



US00D567999S

(12) **United States Design Patent**
Leung

(10) **Patent No.:** **US D567,999 S**

(45) **Date of Patent:** **** Apr. 29, 2008**

(54) **HAIR STRAIGHTENER**

(75) Inventor: **Anthony Kit Lun Leung**, North Point (CN)

(73) Assignee: **Conair Corporation**, Stamford, CT (US)

(**) Term: **14 Years**

(21) Appl. No.: **29/285,332**

(22) Filed: **Mar. 27, 2007**

(51) **LOC (8) Cl.** **28-03**

(52) **U.S. Cl.** **D28/35**

(58) **Field of Classification Search** 132/222-269;
D28/35-38; 219/222, 225, 226
See application file for complete search history.

(56) **References Cited**

U.S. PATENT DOCUMENTS

D534,684 S *	1/2007	Ceva	D28/35
D544,646 S *	6/2007	Overend	D28/35
2006/0037625 A1 *	2/2006	Kayser et al.	132/224
2006/0124625 A1 *	6/2006	Keig et al.	219/222

* cited by examiner

Primary Examiner—Jennifer Rivard

(74) *Attorney, Agent, or Firm*—Lawrence Cruz

(57) **CLAIM**

The ornamental design for a hair straightener, as shown and described.

DESCRIPTION

FIG. 1 is a perspective view of a hair straightener showing my design;

FIG. 2 is a front view thereof;

FIG. 3 is a rear view thereof;

FIG. 4 is a top view thereof;

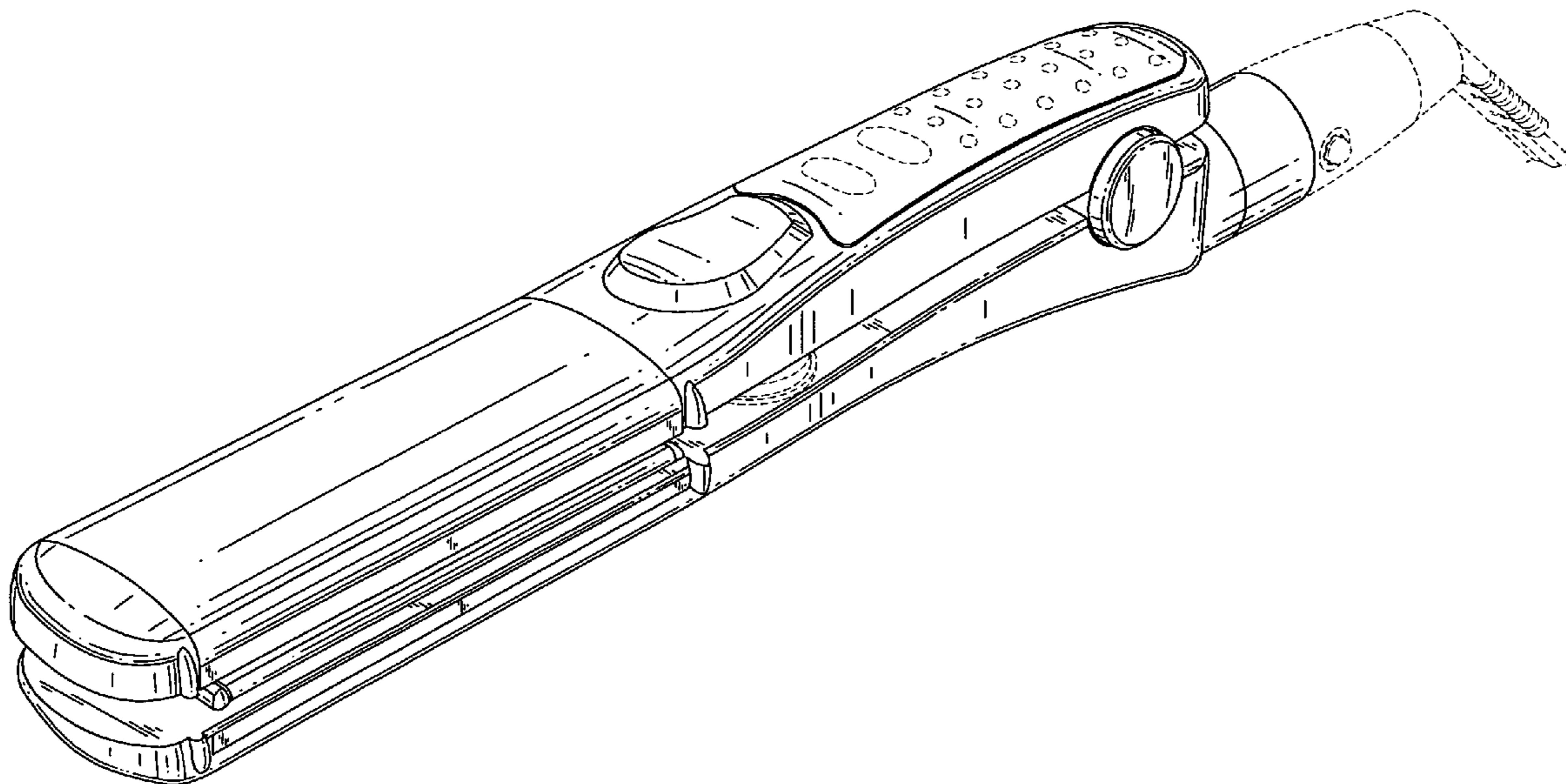
FIG. 5 is a bottom view thereof;

FIG. 6 is a right side view thereof; and,

FIG. 7 is a left side view thereof.

The broken lines are shown for illustrative purposes only and form no part of the claimed design.

1 Claim, 3 Drawing Sheets



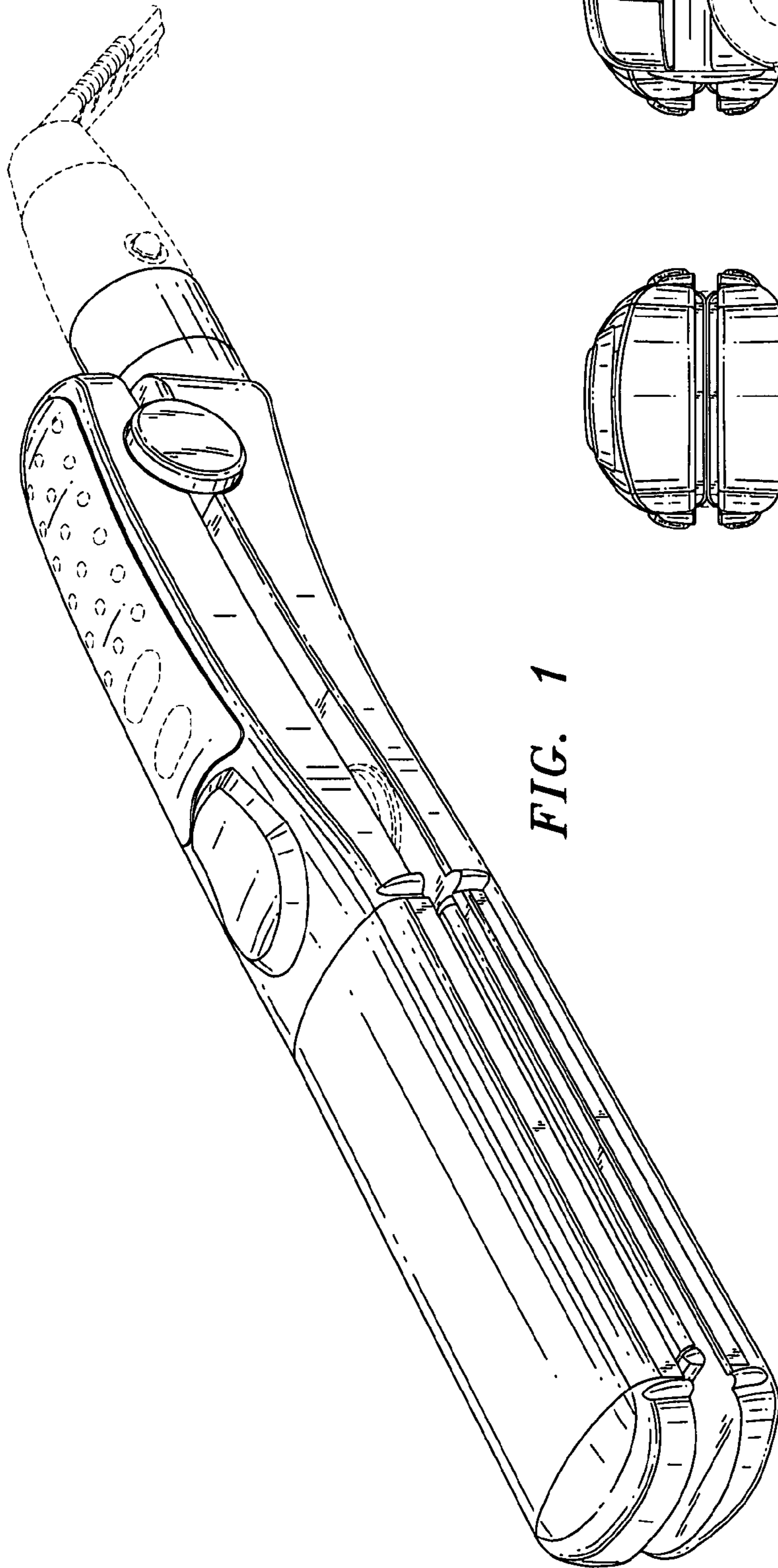


FIG. 1

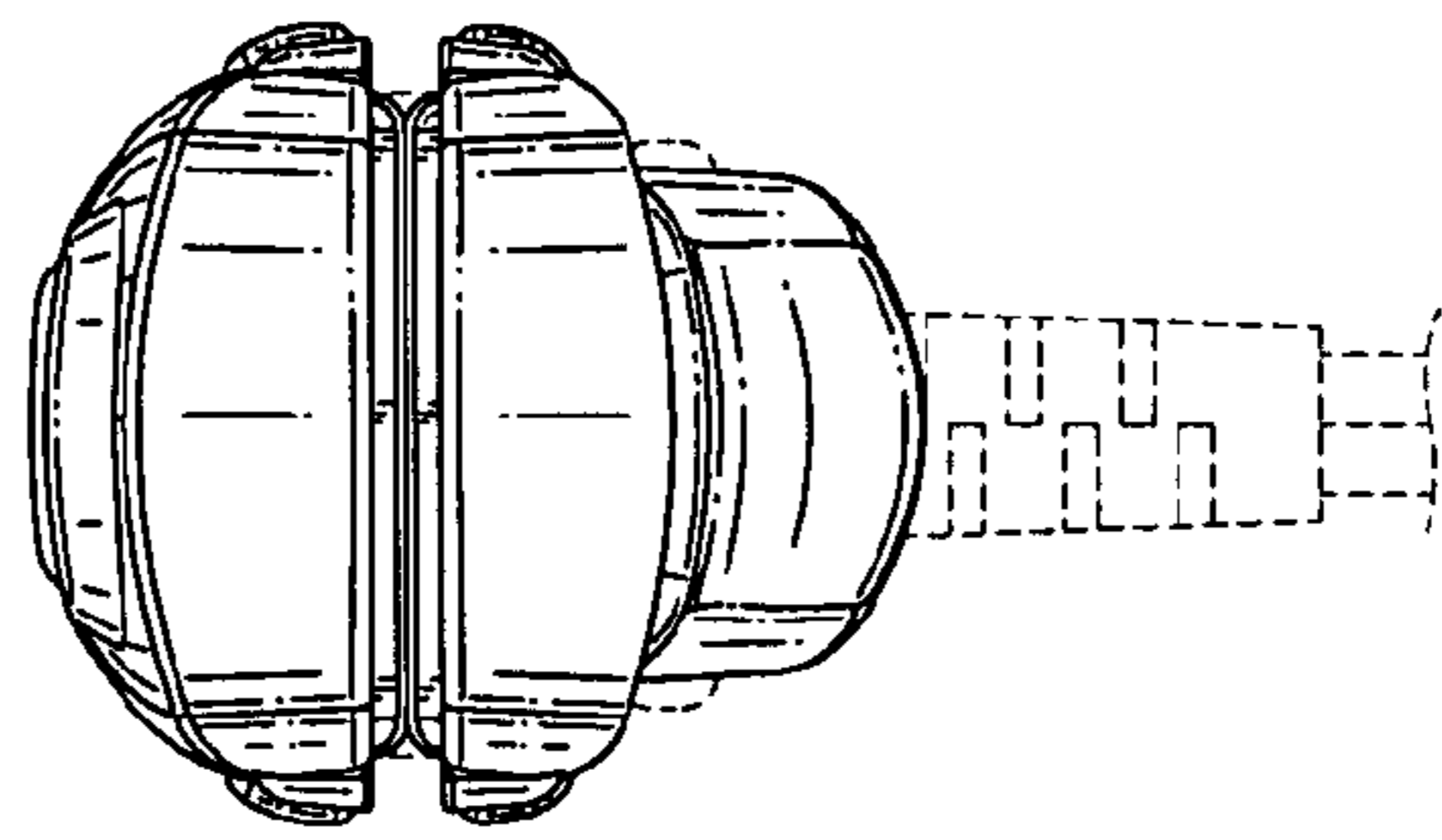


FIG. 2

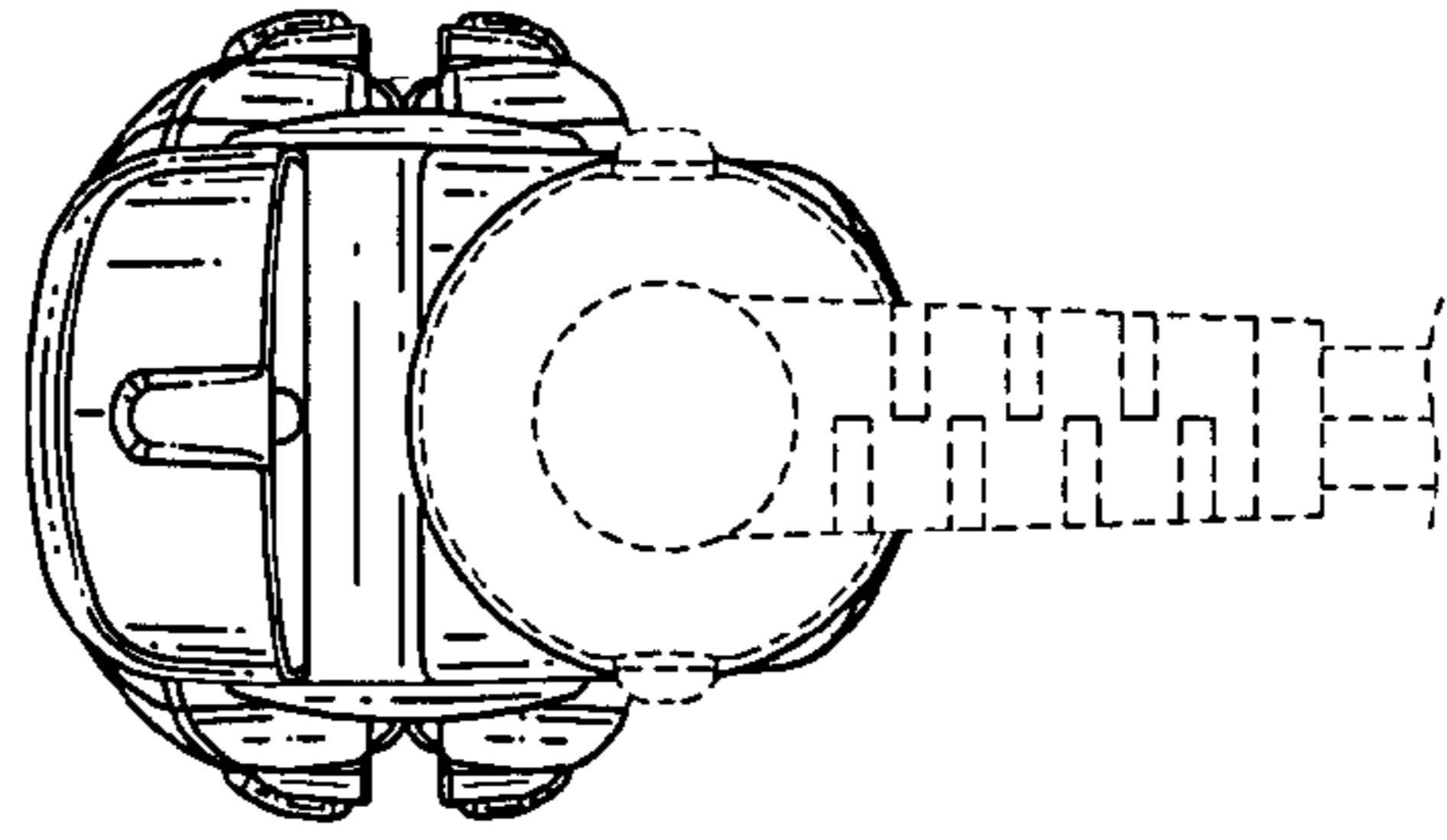


FIG. 3

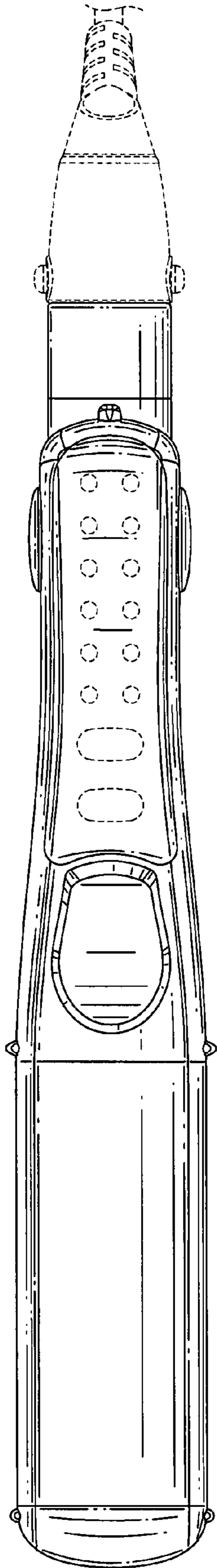


FIG. 4

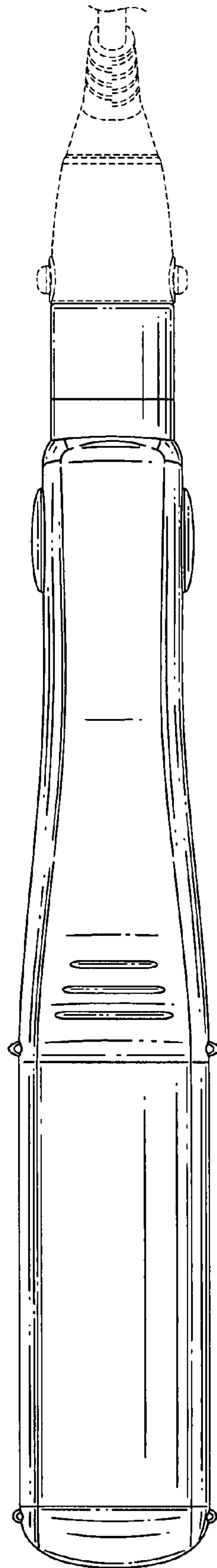


FIG. 5

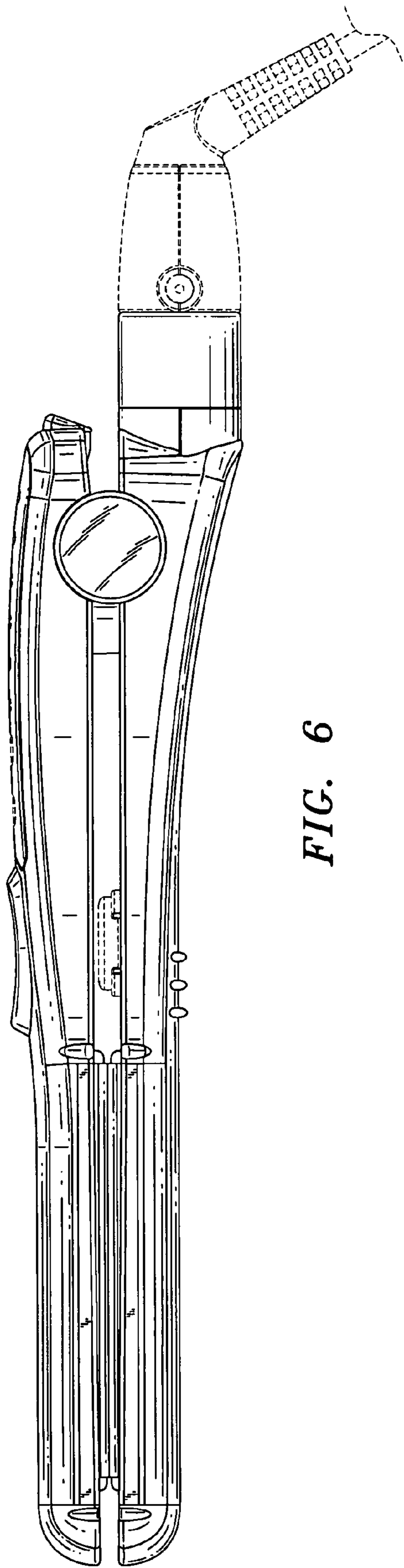


FIG. 6

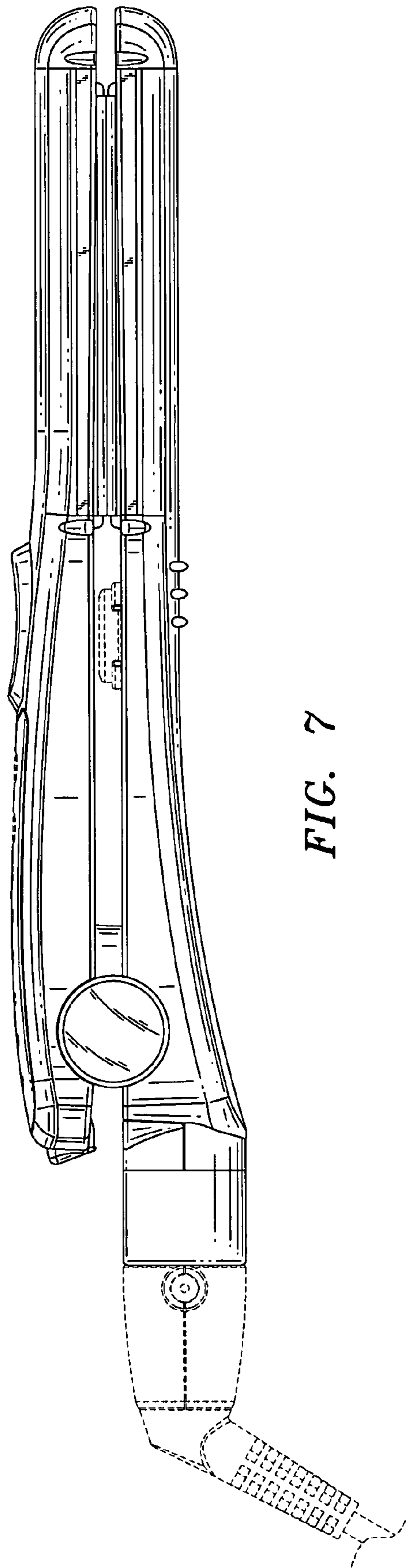


FIG. 7