



US00D567997S

(12) **United States Design Patent** (10) **Patent No.:** **US D567,997 S**
Lehman et al. (45) **Date of Patent:** **** Apr. 29, 2008**

- (54) **HUB**
- (75) Inventors: **Gregg Lehman**, Peachtree City, GA (US); **Steen Vann**, Morrow, GA (US)
- (73) Assignee: **Cooper Technologies Company**, Houston, TX (US)
- (**) Term: **14 Years**
- (21) Appl. No.: **29/251,937**
- (22) Filed: **Jan. 17, 2006**

Related U.S. Application Data

- (63) Continuation of application No. 29/233,364, filed on Jun. 30, 2005.
 - (51) **LOC (8) Cl.** **26-99**
 - (52) **U.S. Cl.** **D26/141**
 - (58) **Field of Classification Search** D26/24, D26/72, 80, 81, 82, 83, 85, 86, 88, 94, 102, D26/113, 118, 122, 123, 128, 138, 140, 143, D26/152, 155, 156; 362/147, 148, 150, 640, 362/647, 648, 649, 257, 317, 326, 331, 336, 362/337, 339
- See application file for complete search history.

References Cited

- (56) **U.S. PATENT DOCUMENTS**
- 4,655,520 A * 4/1987 Cummings 439/111
- 4,861,273 A 8/1989 Wenman et al.
- D310,511 S * 9/1990 Bedocs et al. D13/133
- 4,975,817 A * 12/1990 Reimers 362/418
- 5,151,038 A * 9/1992 Range et al. 439/122
- 5,154,509 A * 10/1992 Wulfman et al. 362/648
- 5,340,322 A * 8/1994 Poulsen 439/111
- 5,455,754 A * 10/1995 Hoffner 362/250
- D413,995 S * 9/1999 Lee et al. D26/63
- 6,056,561 A * 5/2000 Lin 439/121
- D444,252 S * 6/2001 Miller et al. D26/63
- 6,244,733 B1 * 6/2001 Fong et al. 362/391
- D475,479 S * 6/2003 Lin D26/64
- 6,676,281 B2 * 1/2004 Bray et al. 362/391
- 6,716,042 B2 4/2004 Lin
- D505,742 S * 5/2005 Munoz D26/60
- D510,563 S * 10/2005 Farzan D13/110

2003/0223234 A1* 12/2003 Tang 362/226
2004/0160767 A1 8/2004 Mobarak et al.

OTHER PUBLICATIONS

Capri Lighting, Solis, product sheet, 2005 (2 pages).
Nora Lighting, NRS90 Rail Series, product sheet, 2001 (6 pages).
Con-Tech Lighting, Symphony Mini Track, Catalog (16 pages) Available At Least As Early As Jan. 19, 2005.
Capri Lighting, Track Components, Two Circuit System, TR1-51, rev. Sep. 2005 (2 pages).
Capri Lighting, Track Components, Single Circuit Systems, TR1-50, rev. Sep. 2005 (2 pages).
Capri Lighting, Single Circuit Systems, MR1 Track Components, TR1-59 rev. Sep. 2005 (2 pages).

* cited by examiner

Primary Examiner—Freda S. Nunn

Assistant Examiner—Kevin K Rudzinski

(74) *Attorney, Agent, or Firm*—SAIDMAN DesignLaw Group

(57) **CLAIM**

The ornamental design for a hub, as shown and described.

DESCRIPTION

This application is related to co-pending applications: Ser. No. 11/322,837, filed Dec. 30, 2005 and titled "Halo Flex Track"; Ser. No. 11/324,099, filed Dec. 30, 2005 and titled "Halo Power Supplies"; Ser. No. 11/323,231, filed Dec. 30, 2005 and titled "Halo Clam Shell Connections"; and Ser. No. 11/323,755, filed Dec. 30, 2005 and titled "Halo Hubs and Connections".

FIG. 1 is a bottom, front perspective view of a hub showing our new design;

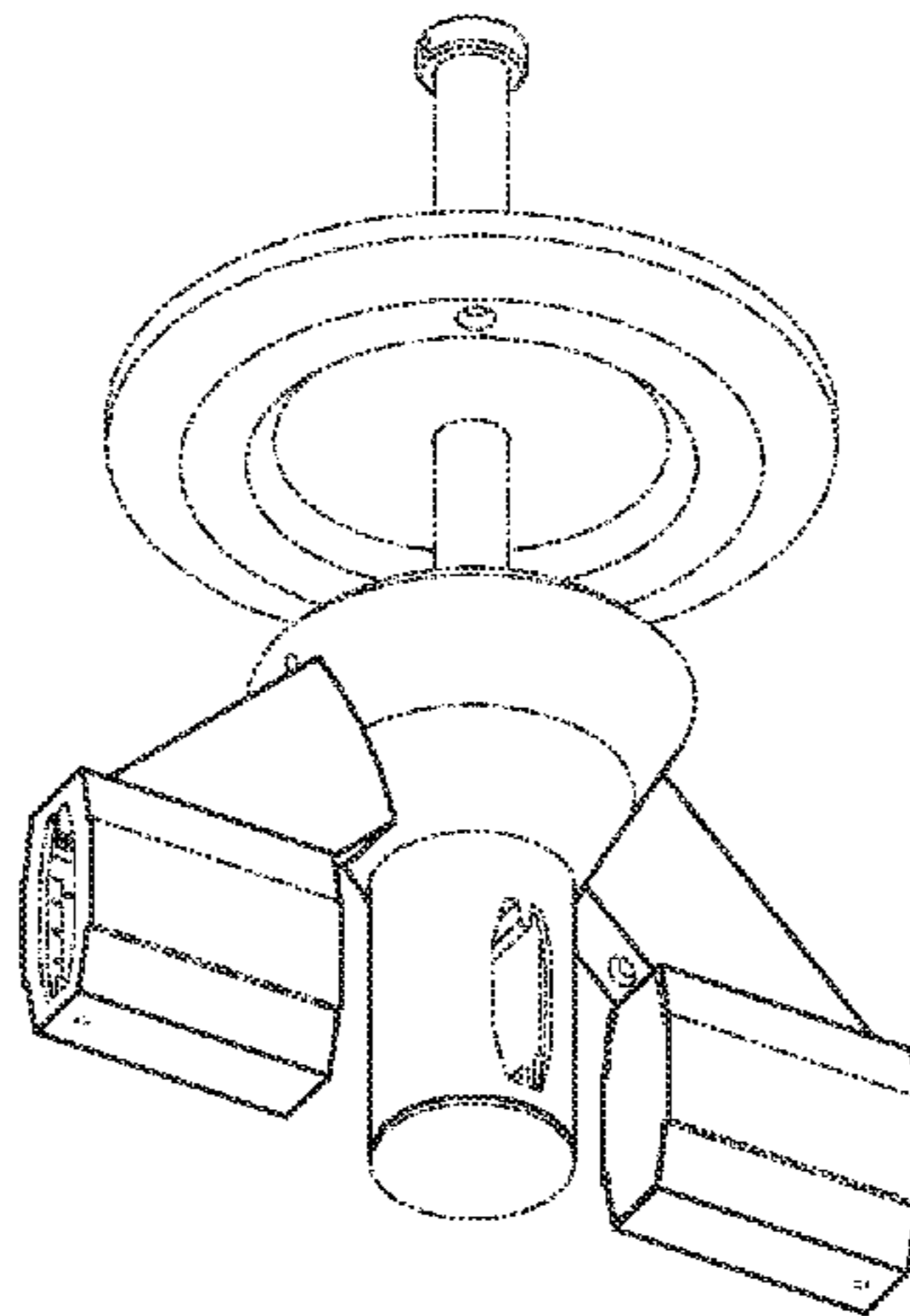
FIG. 2 is a left side view thereof, the right side being a mirror image;

FIG. 3 is a left end view thereof, the right end view being a mirror image; and,

FIG. 4 is a bottom view thereof.

The broken lines form no part of the claimed design.

1 Claim, 2 Drawing Sheets



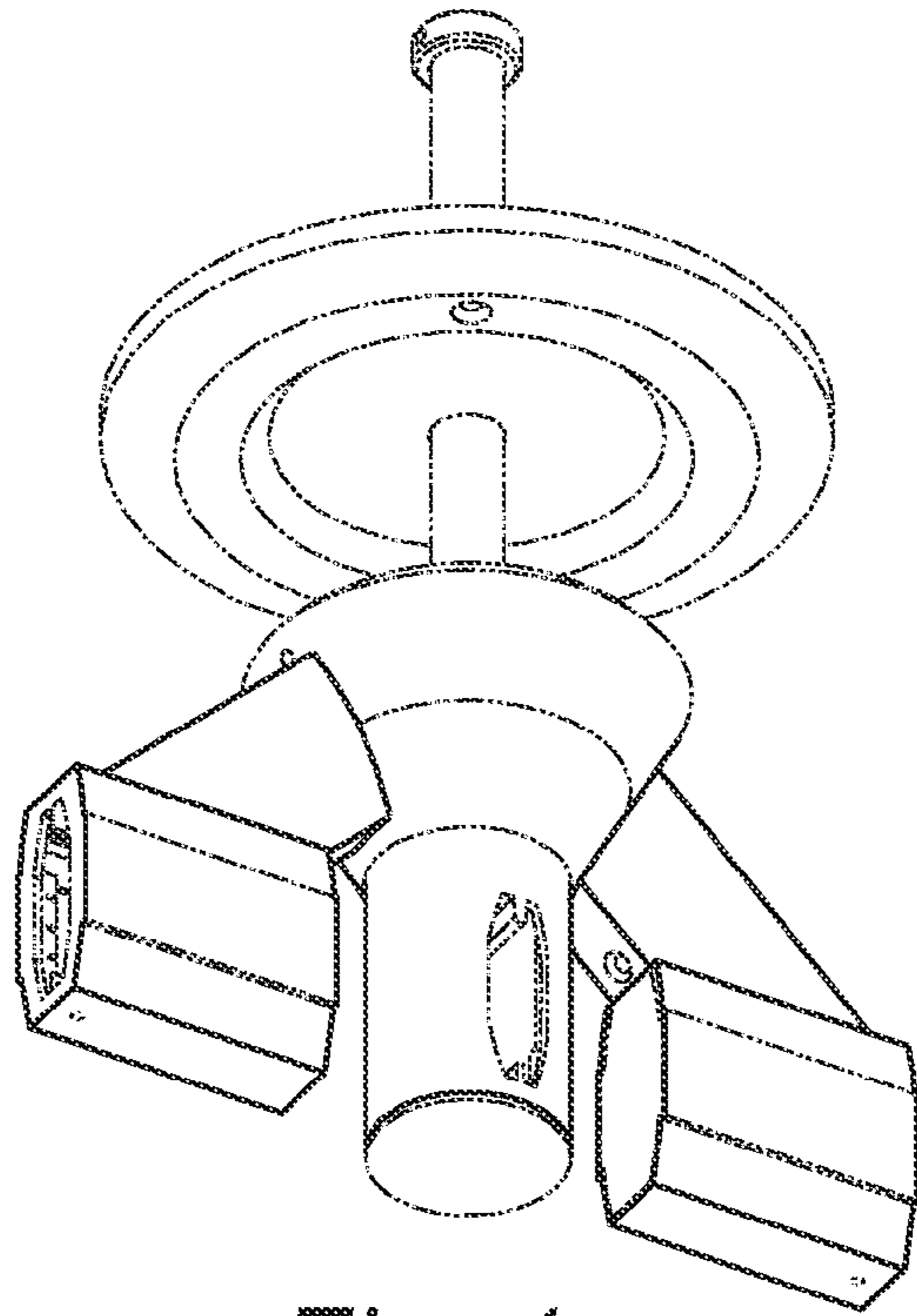


Fig. 1

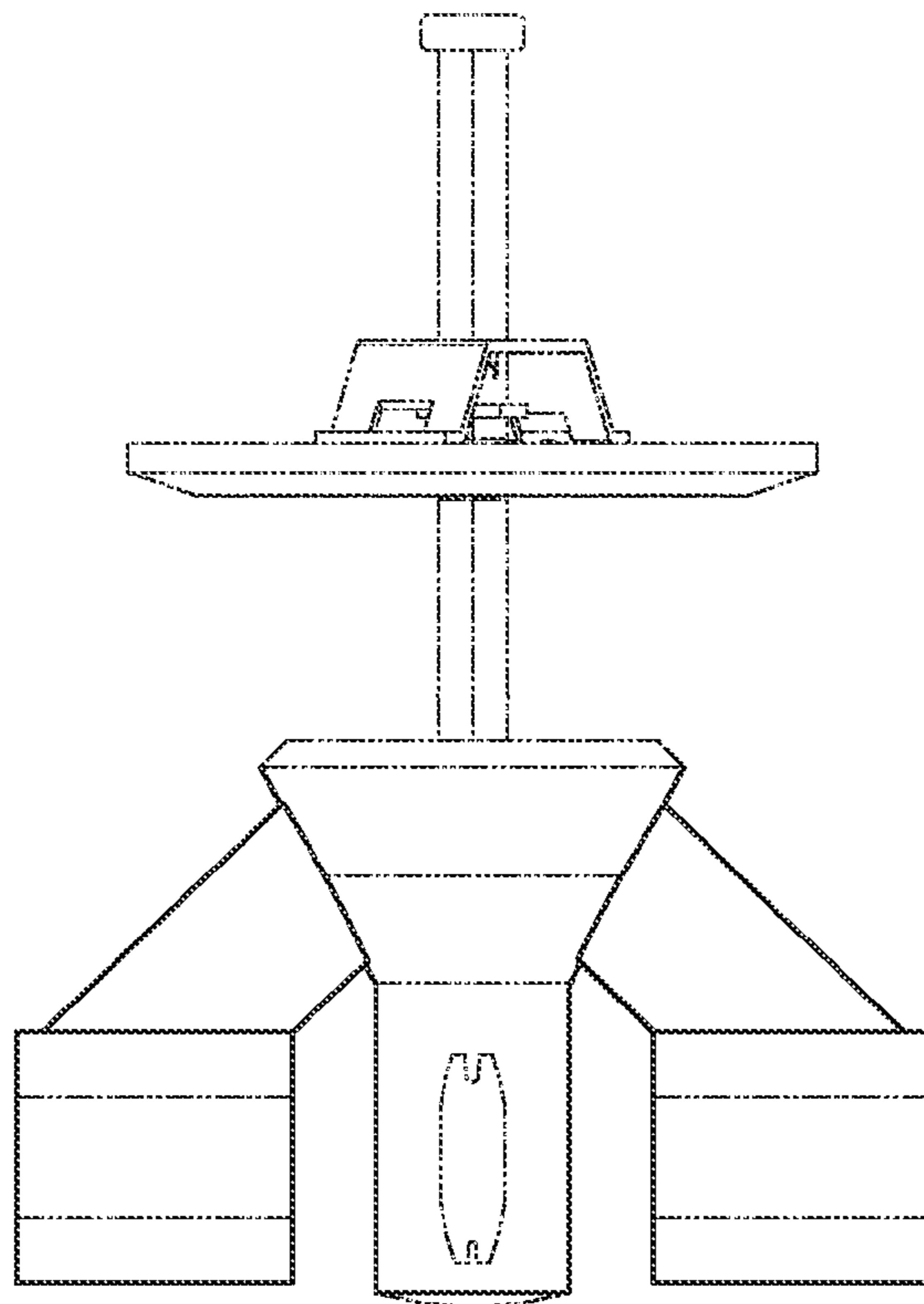


Fig. 2

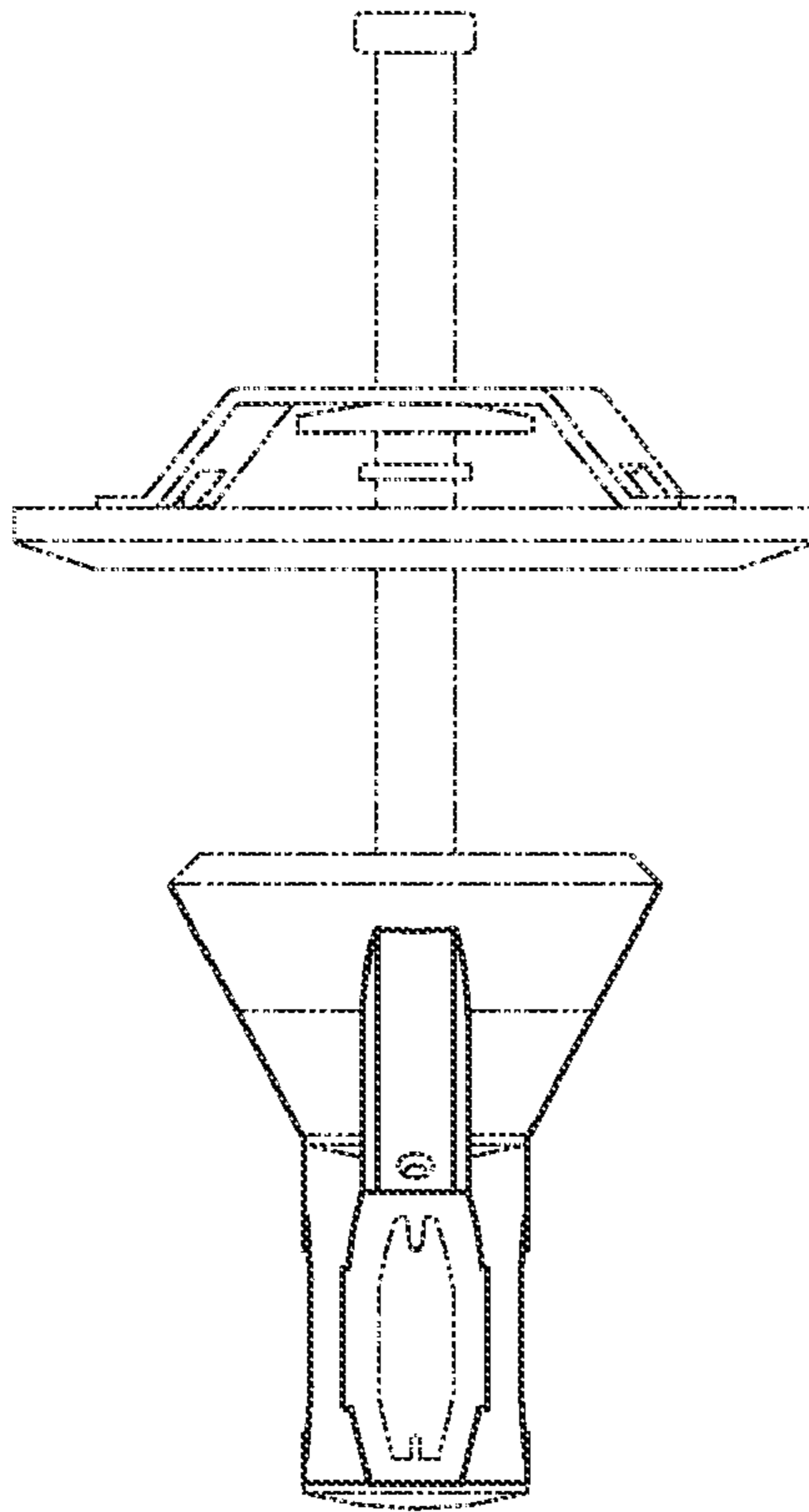


Fig. 3

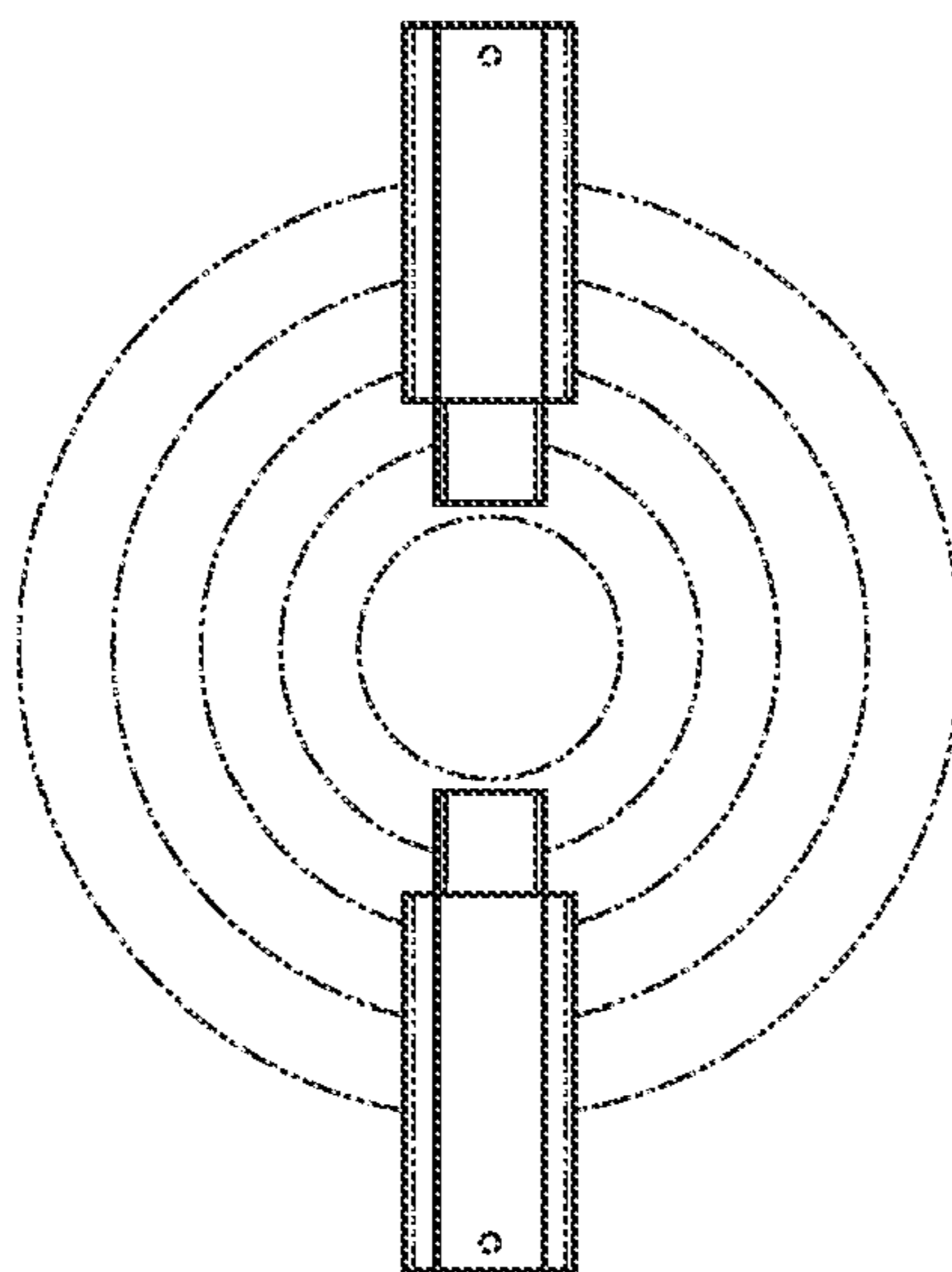


Fig. 4