



US00D567995S

(12) **United States Design Patent**
Gordin et al.

(10) **Patent No.:** **US D567,995 S**
(45) **Date of Patent:** **** Apr. 29, 2008**

(54) **LIGHTING FIXTURE VISOR WITH LIGHT TRANSMISSIVE OPENING**

(75) Inventors: **Myron K. Gordin**, Oskaloosa, IA (US);
Timothy J. Boyle, Oskaloosa, IA (US)

(73) Assignee: **Musco Corporation**, Oskaloosa, IA (US)

(**) Term: **14 Years**

(21) Appl. No.: **29/221,650**

(22) Filed: **Jan. 18, 2005**

(51) **LOC (8) Cl.** **26-99**

(52) **U.S. Cl.** **D26/118**

(58) **Field of Classification Search** D26/63,
D26/134, 133, 131, 2, 24, 26, 36, 61, 67,
D26/72, 113, 118, 122, 123, 124, 128, 139;
362/518, 512, 350, 348, 346, 398, 397, 294,
362/293, 282, 281, 267, 263, 261, 257, 217,
362/514, 289, 341, 347

See application file for complete search history.

(56) **References Cited**

U.S. PATENT DOCUMENTS

1,104,330	A *	7/1914	Townsend	362/282
1,559,464	A *	10/1925	Sachse	362/293
1,600,682	A *	9/1926	McCarley	362/348
1,704,894	A *	3/1929	Hendrikson	362/227
1,711,479	A *	4/1929	Halvorson, Jr.	362/282
1,785,694	A *	12/1930	Day	246/473.3
D113,444	S *	2/1939	Trippe	D26/36
2,447,923	A	8/1948	Tuck	
2,578,451	A *	12/1951	Rex	362/297
3,780,285	A *	12/1973	Appeldorn et al.	362/311
D261,061	S *	9/1981	Wiley	D26/134
D261,684	S *	11/1981	Westover	D26/63
D281,355	S *	11/1985	Fraley et al.	D26/2
D295,326	S *	4/1988	Dahlgren	D26/63
4,760,499	A *	7/1988	Il	362/512
4,816,974	A	3/1989	Gordin	
4,947,303	A	8/1990	Gordin	
5,012,398	A	4/1991	Jones	

5,134,557	A *	7/1992	Gordin et al.	362/261
5,161,883	A	11/1992	Gordin	
5,313,379	A *	5/1994	Lemons et al.	362/298
5,519,590	A	5/1996	Crookham et al.	
D385,651	S *	10/1997	Stevens et al.	D26/133
5,707,142	A	1/1998	Gordin	
5,730,521	A *	3/1998	Spink et al.	362/217
5,856,721	A	1/1999	Gordin	
5,860,733	A	1/1999	Stone	
D432,693	S *	10/2000	Wachter et al.	D26/63
6,203,176	B1	3/2001	Gordin	
D452,027	S *	12/2001	Mashevsky	D26/63
6,398,392	B2	6/2002	Gordin	
6,502,965	B1 *	1/2003	Bradford	362/346
2003/0147240	A1	8/2003	Gordin	

FOREIGN PATENT DOCUMENTS

EP 1 172 839 A2 1/2002

* cited by examiner

Primary Examiner—Freda S. Nunn

Assistant Examiner—Kevin K Rudzinski

(74) *Attorney, Agent, or Firm*—McKee, Voorhees & Sease, P.L.C.

(57) **CLAIM**

We claim the ornamental design for a lighting fixture visor with light transmissive opening, as shown and described.

DESCRIPTION

FIG. 1 is a front, left side perspective view of the lighting fixture visor with light transmissive opening;

FIG. 2 is a top view thereof;

FIG. 3 is a rear elevation view thereof;

FIG. 4 is a left side elevation view thereof;

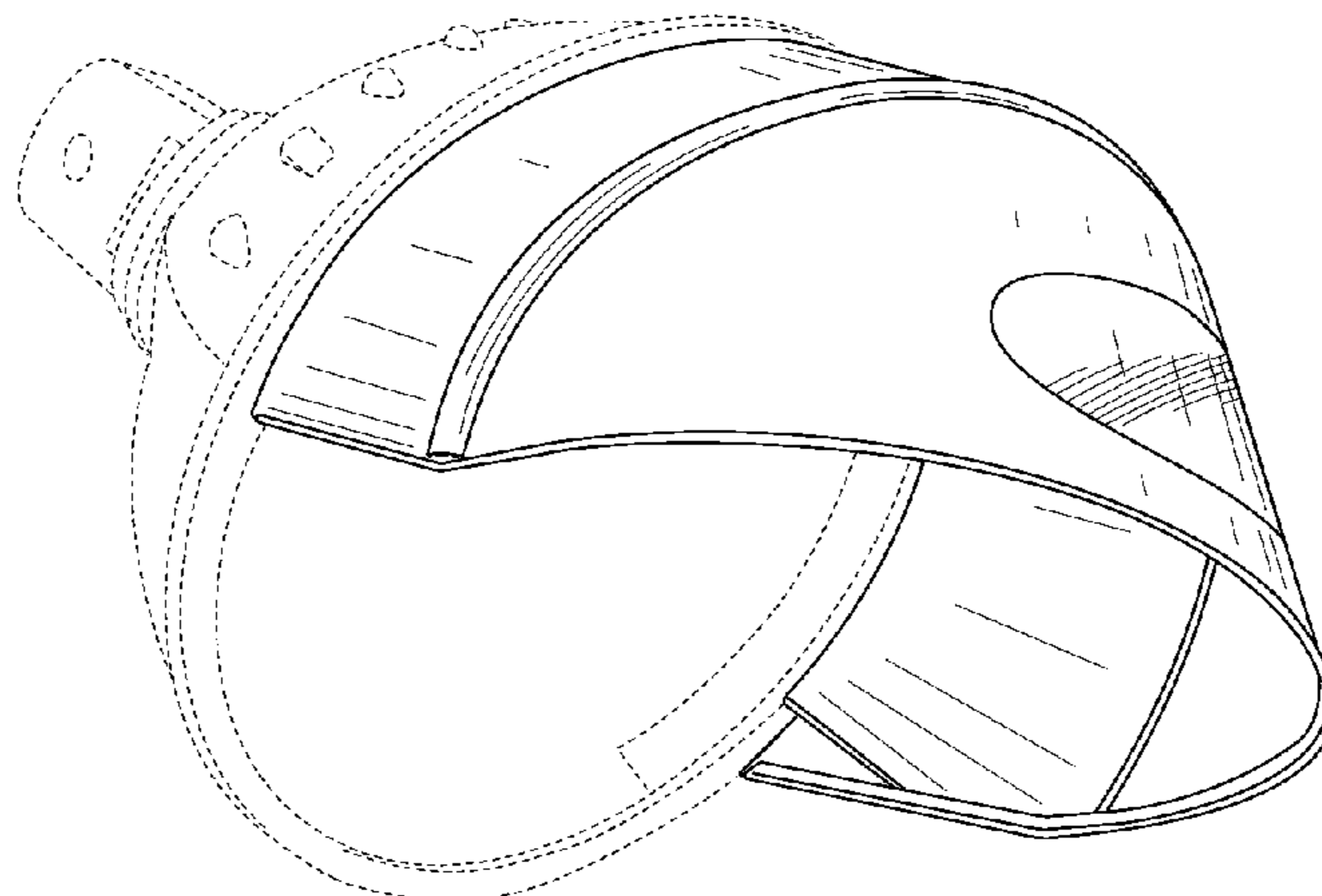
FIG. 5 is a right side elevation view thereof;

FIG. 6 is a front elevation view thereof; and,

FIG. 7 is a bottom view thereof.

The broken line showing is included for the purpose of illustration only and forms no part of the claimed design.

1 Claim, 7 Drawing Sheets



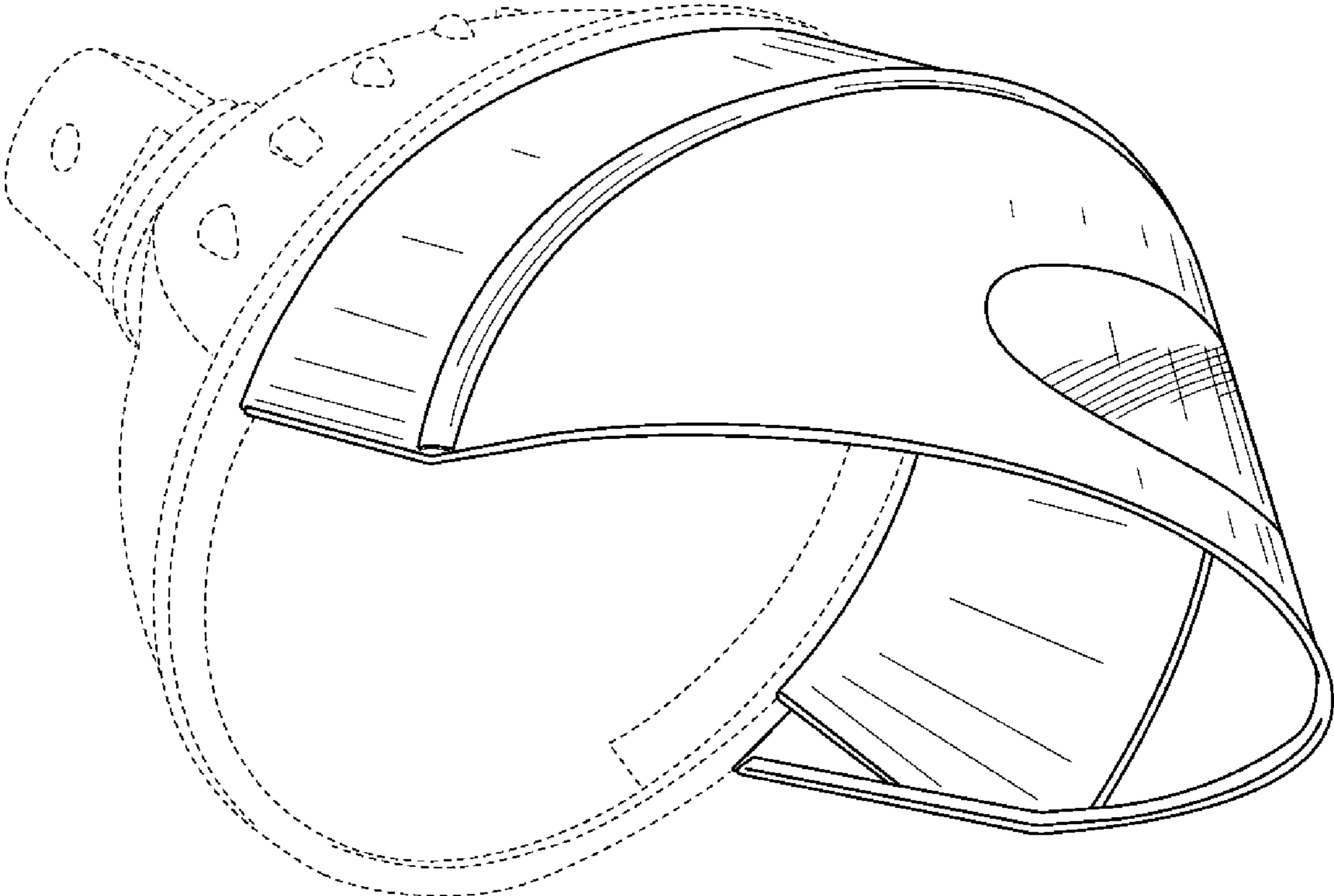


FIG. 1

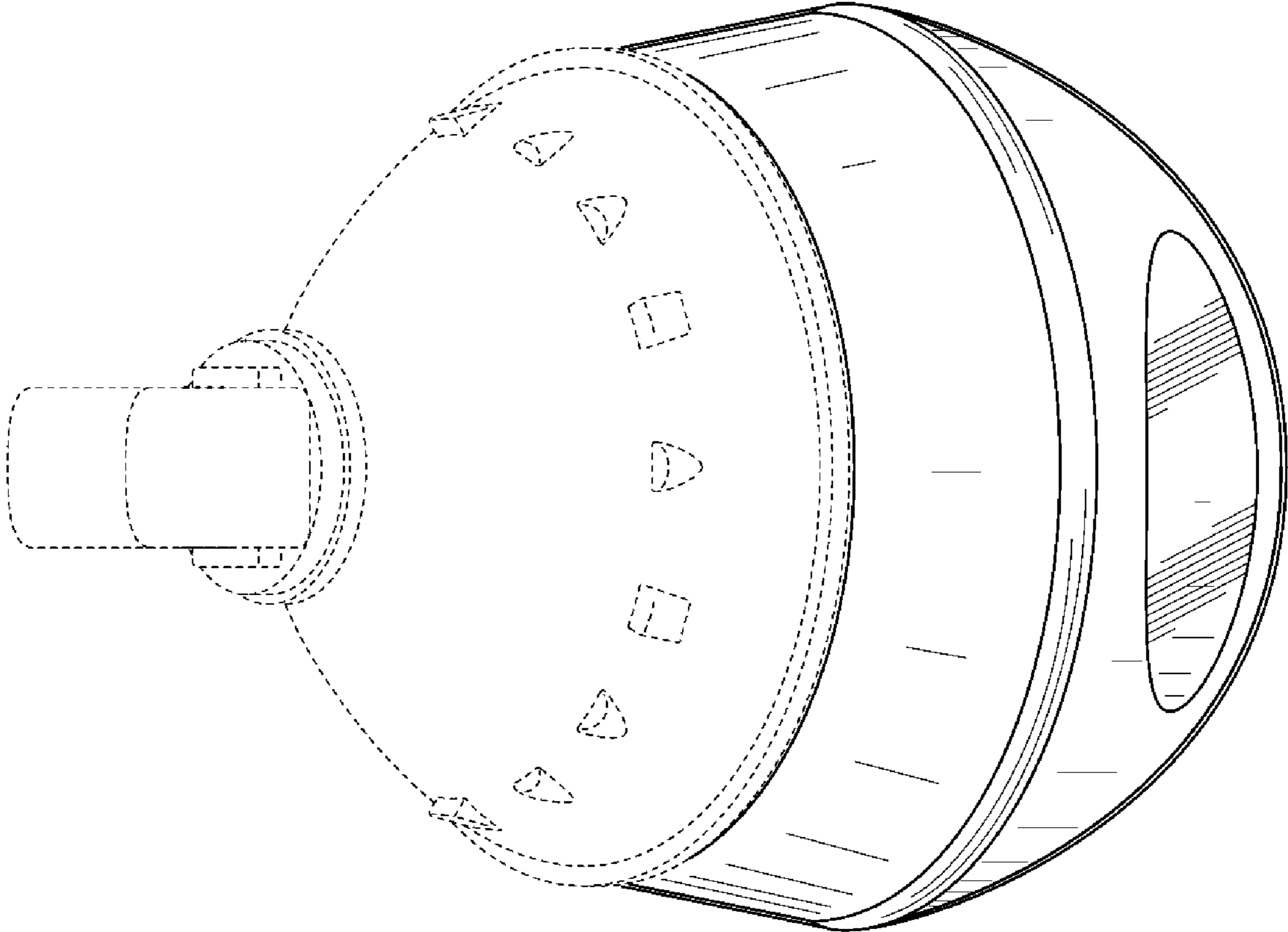


FIG. 2

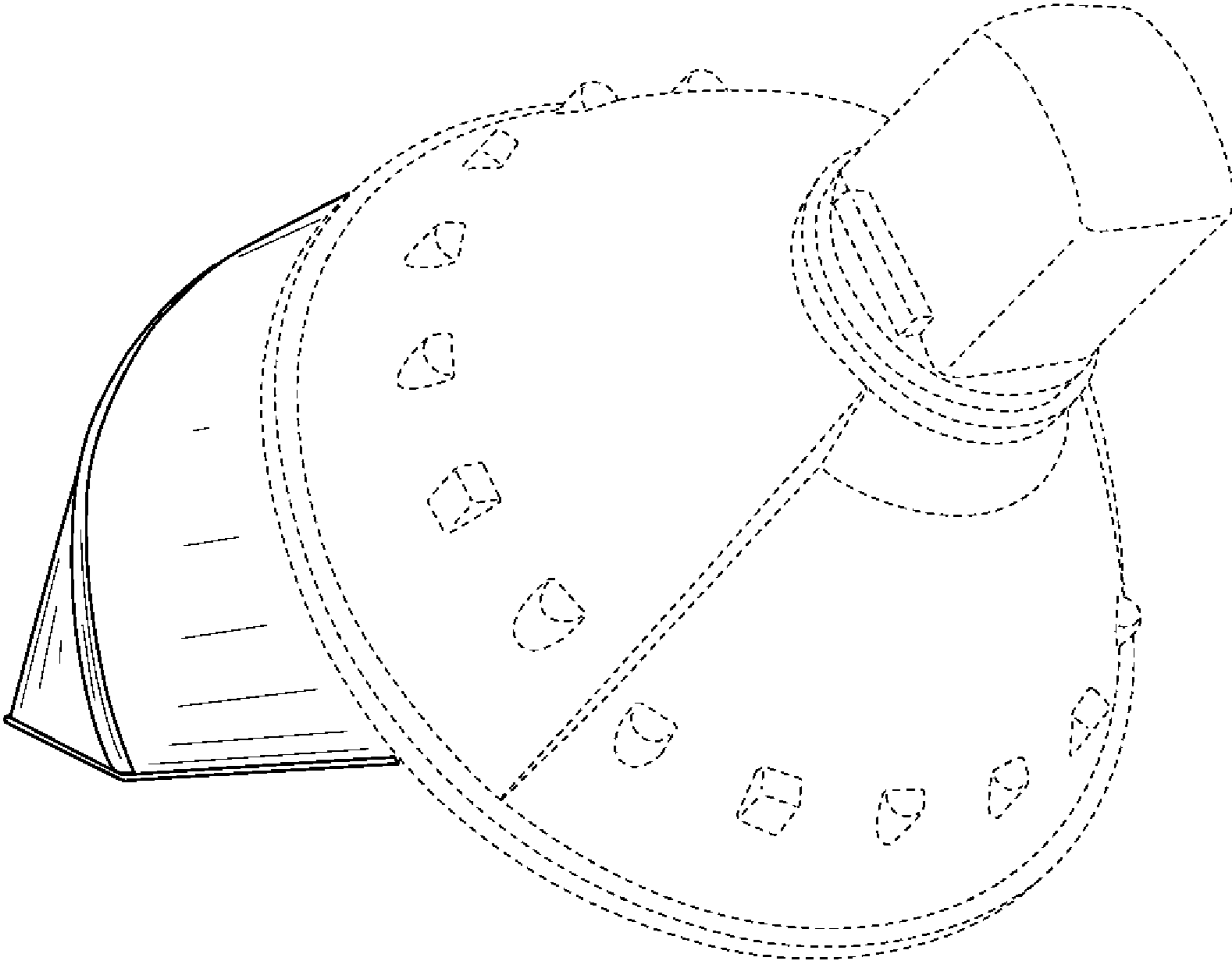


FIG. 3

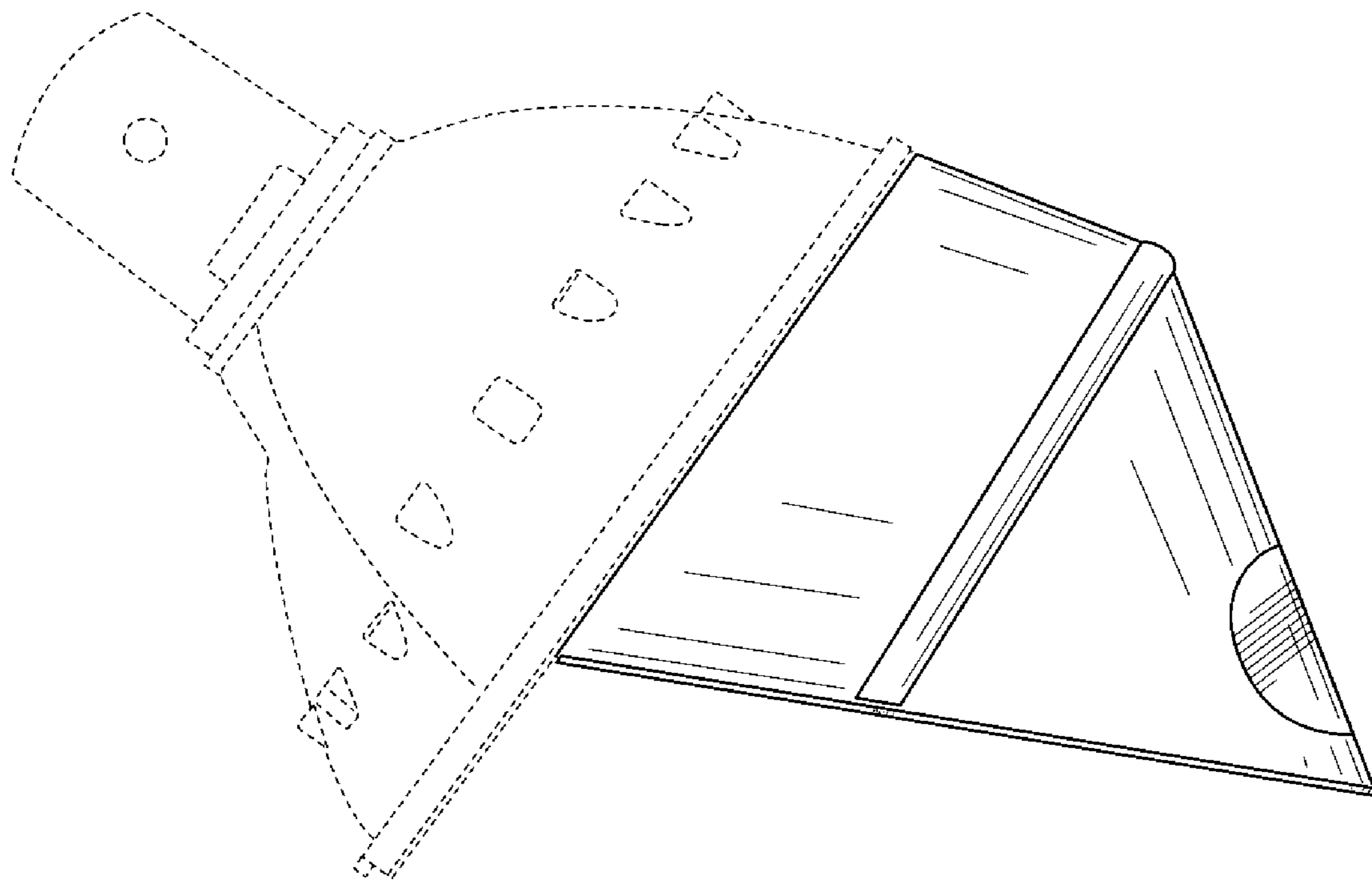


FIG. 4

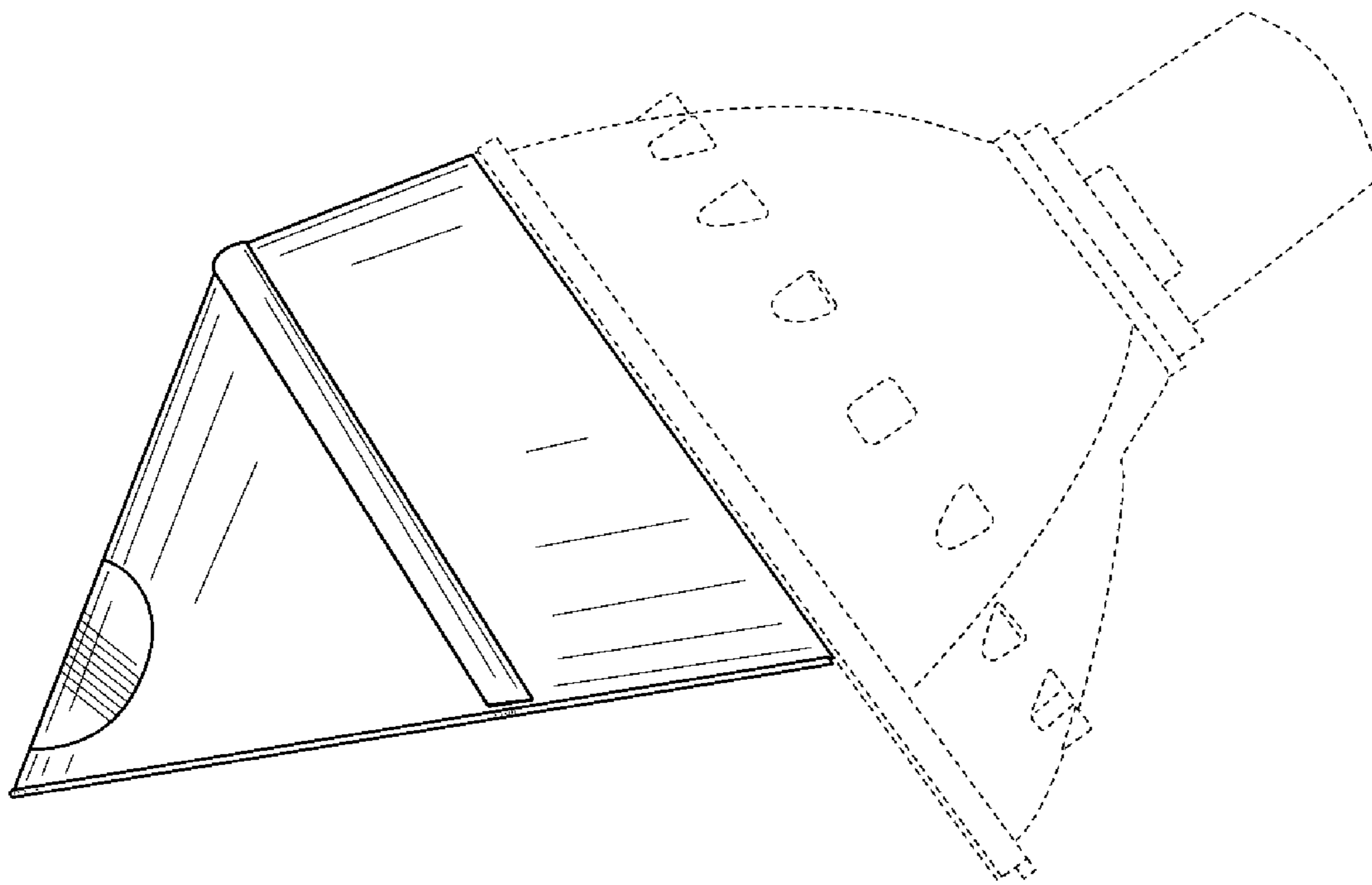


FIG. 5

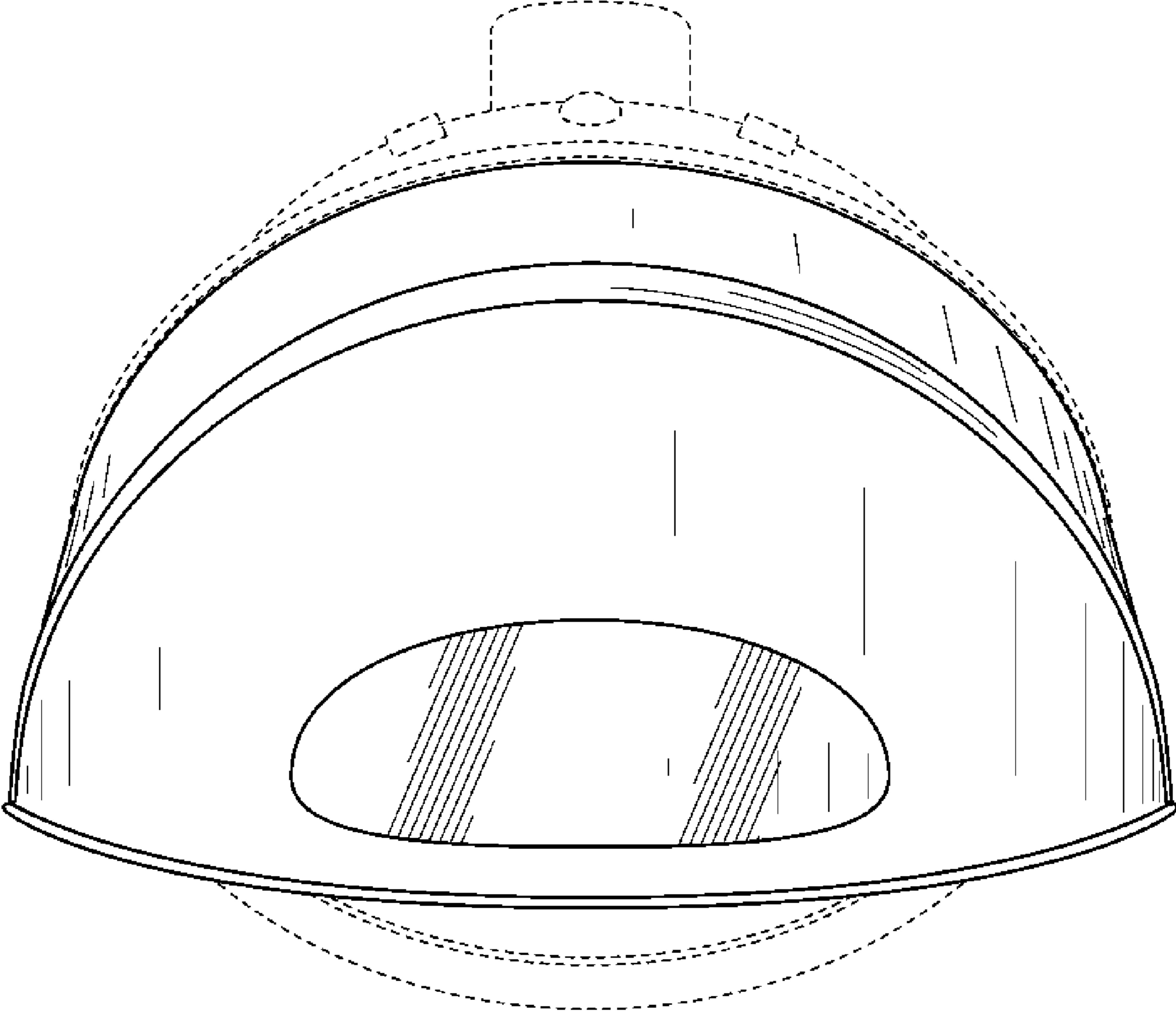


FIG. 6

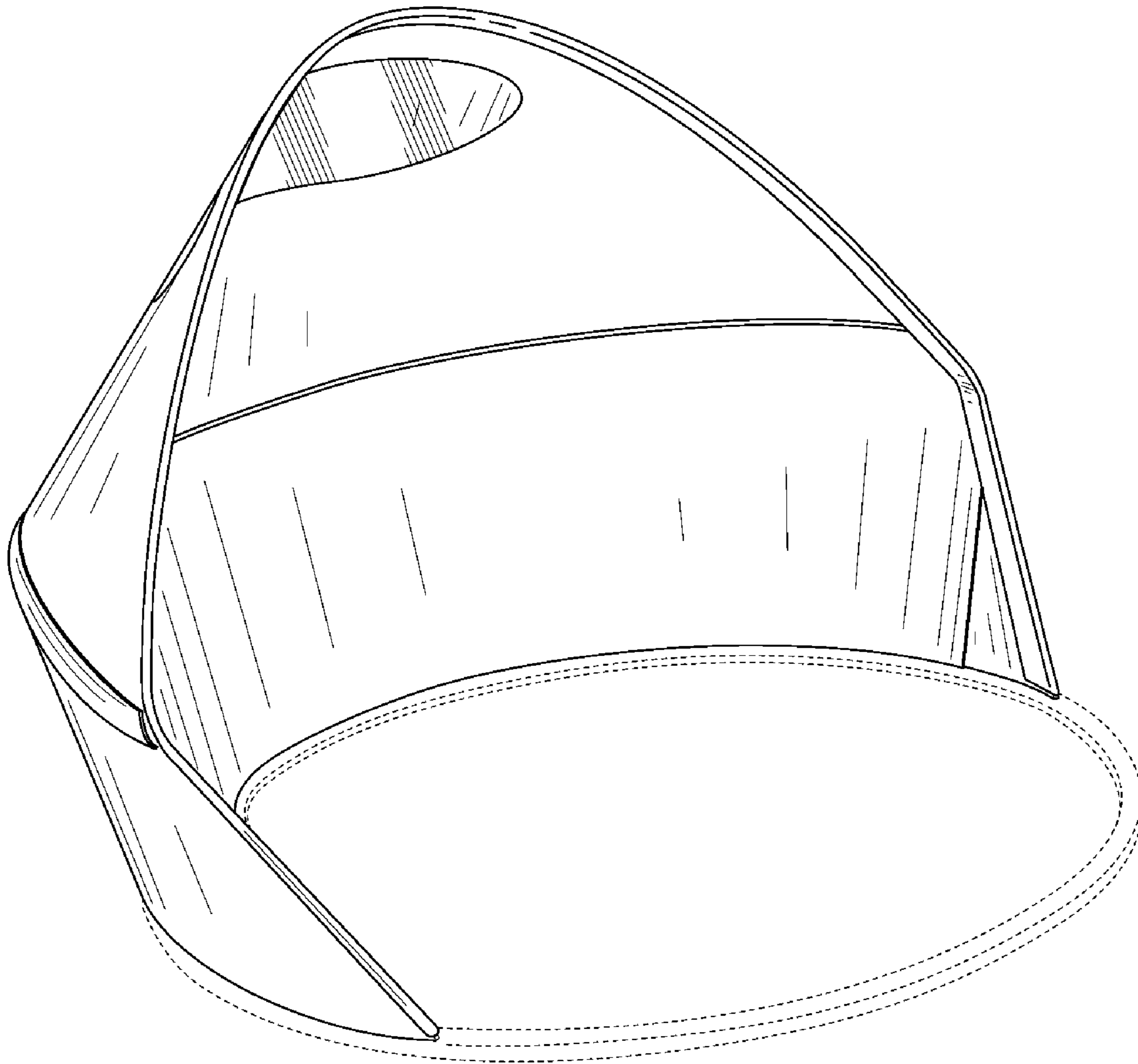


FIG. 7