



US00D567988S

(12) **United States Design Patent**  
**Lissoni**

(10) **Patent No.:** **US D567,988 S**

(45) **Date of Patent:** **\*\* Apr. 29, 2008**

(54) **PENDANT LAMP**

(75) Inventor: **Piero Lissoni**, Milan (IT)

(73) Assignee: **FLOS S.p.A.**, Bovezzo (Brescia) (IT)

(\*\*) Term: **14 Years**

(21) Appl. No.: **29/247,803**

(22) Filed: **Jul. 13, 2006**

(51) **LOC (8) Cl.** ..... **26-03**

(52) **U.S. Cl.** ..... **D26/88**

(58) **Field of Classification Search** ..... D26/72,  
D26/88, 89; 362/147, 150, 361, 363, 404  
See application file for complete search history.

(56) **References Cited**

**U.S. PATENT DOCUMENTS**

- D139,444 S \* 11/1944 Lippincott ..... D26/88
- D226,217 S \* 1/1973 Anderson, Jr. .... D26/88
- D343,250 S \* 1/1994 Fouke et al. .... D26/88
- D344,606 S \* 2/1994 Fouke et al. .... D26/88
- D354,580 S \* 1/1995 Fouke et al. .... D26/88

- D467,676 S \* 12/2002 Packer et al. .... D26/72
- D467,677 S \* 12/2002 Ries et al. .... D26/88

\* cited by examiner

*Primary Examiner*—Clare E Heflin

(74) *Attorney, Agent, or Firm*—McGlew and Tuttle P.C.

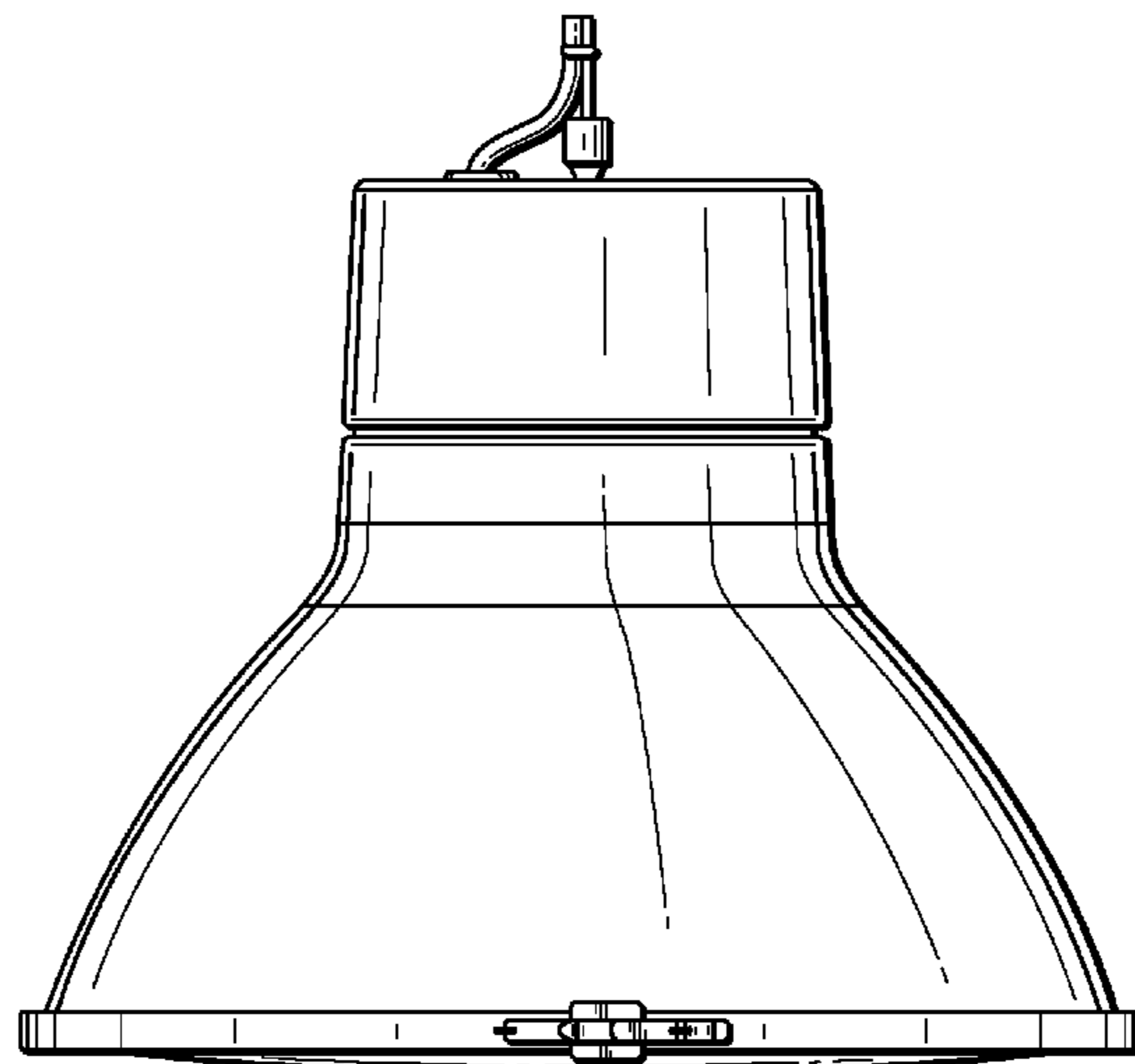
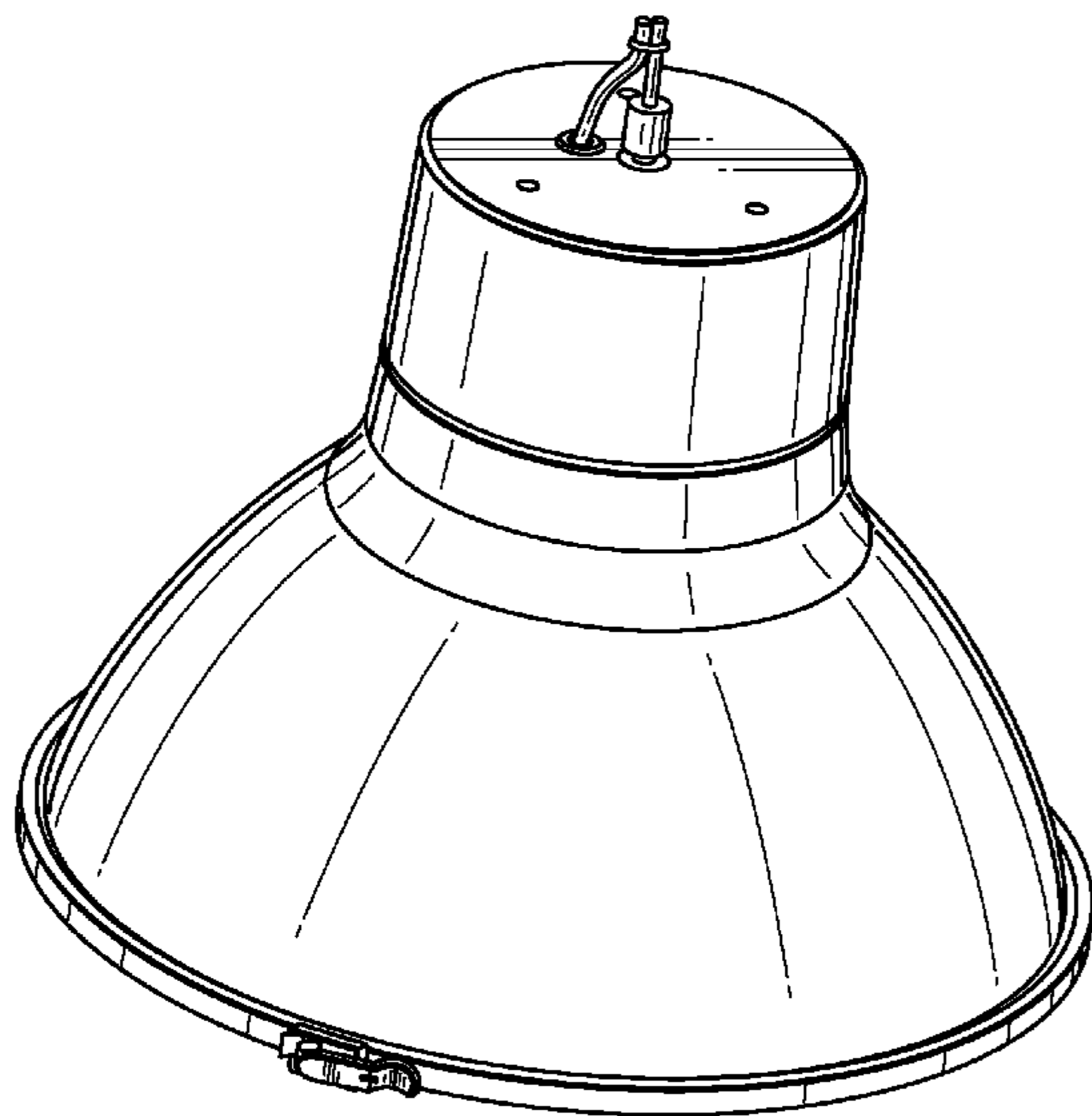
(57) **CLAIM**

The ornamental design of the pendant lamp, as shown and described.

**DESCRIPTION**

FIG. 1 is a perspective view of my new pendant lamp design;  
 FIG. 2 is a front elevation view thereof;  
 FIG. 3 is a top view thereof;  
 FIG. 4 is a bottom view thereof;  
 FIG. 5 is a rear view thereof;  
 FIG. 6 is a left side view thereof; and,  
 FIG. 7 is a right side view thereof.

**1 Claim, 4 Drawing Sheets**



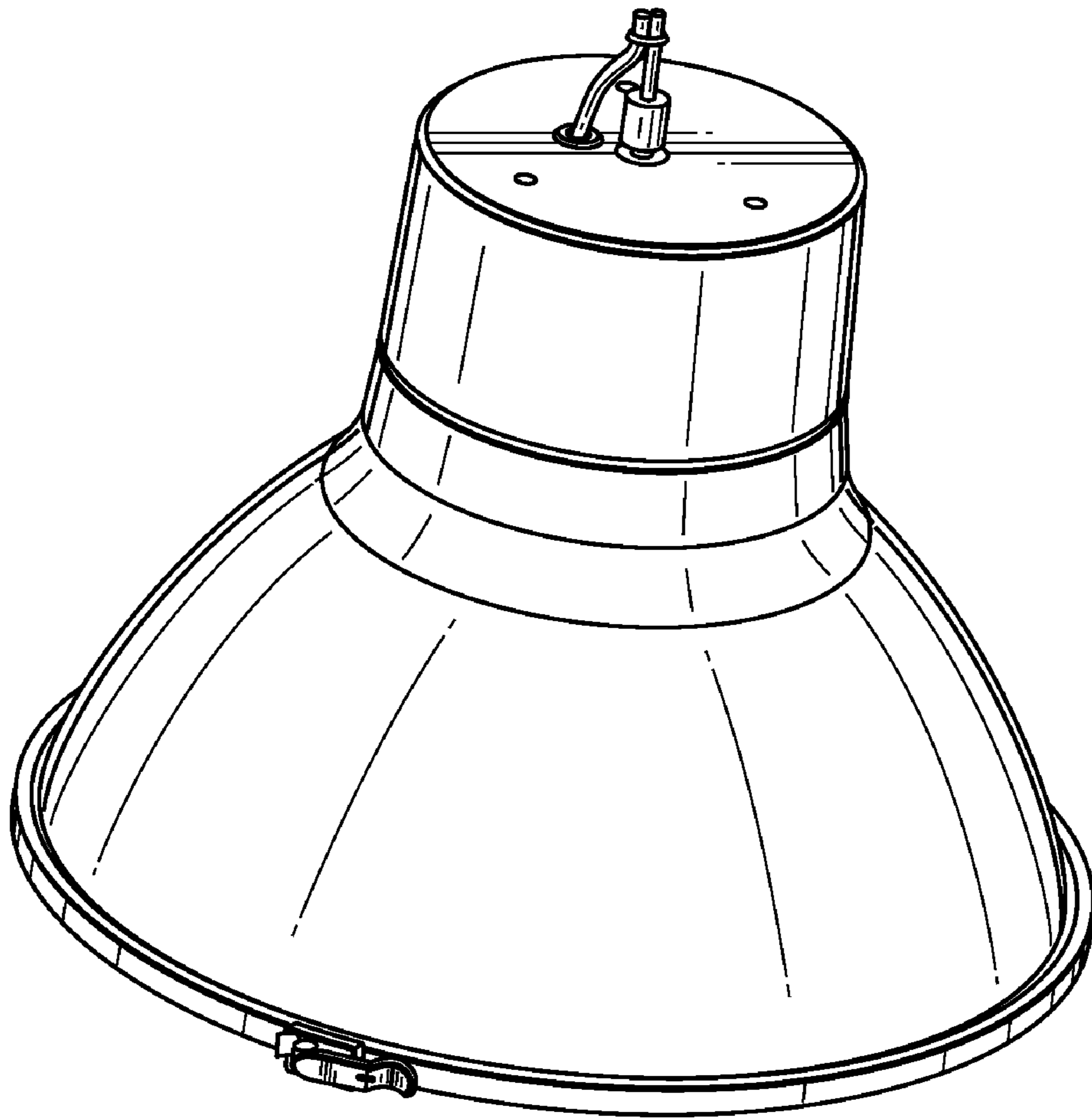


FIG. 1

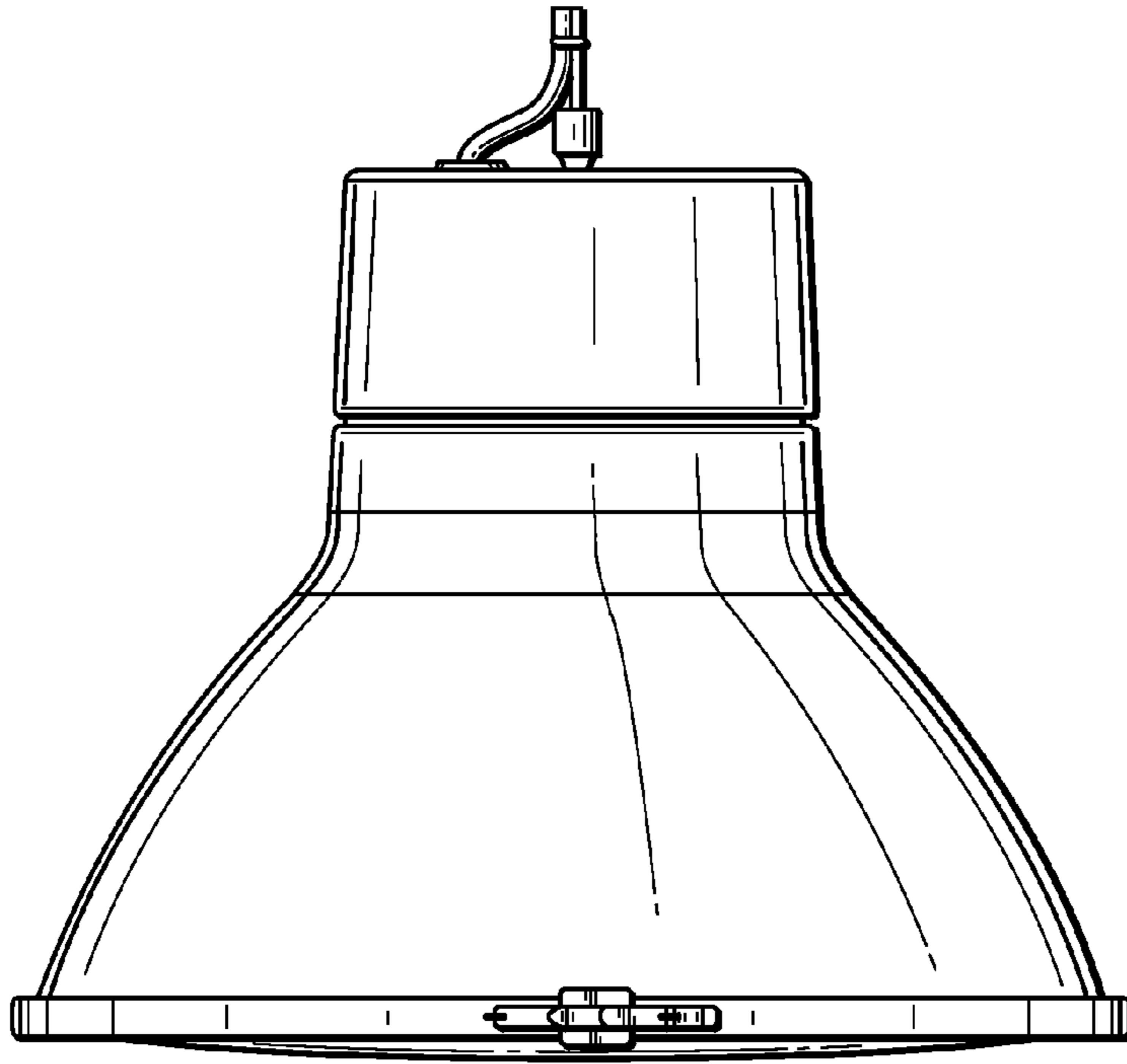


FIG. 2

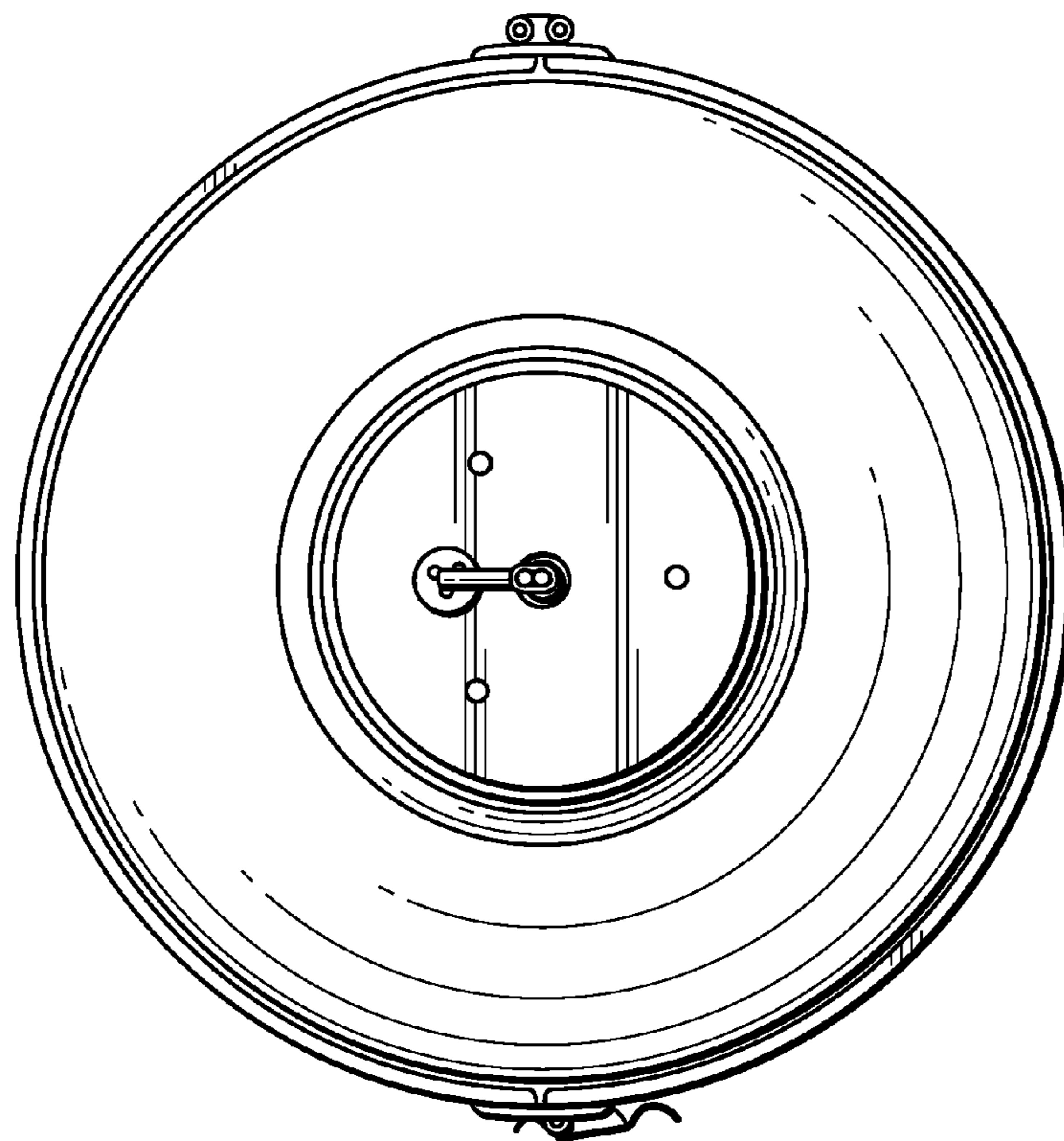


FIG. 3

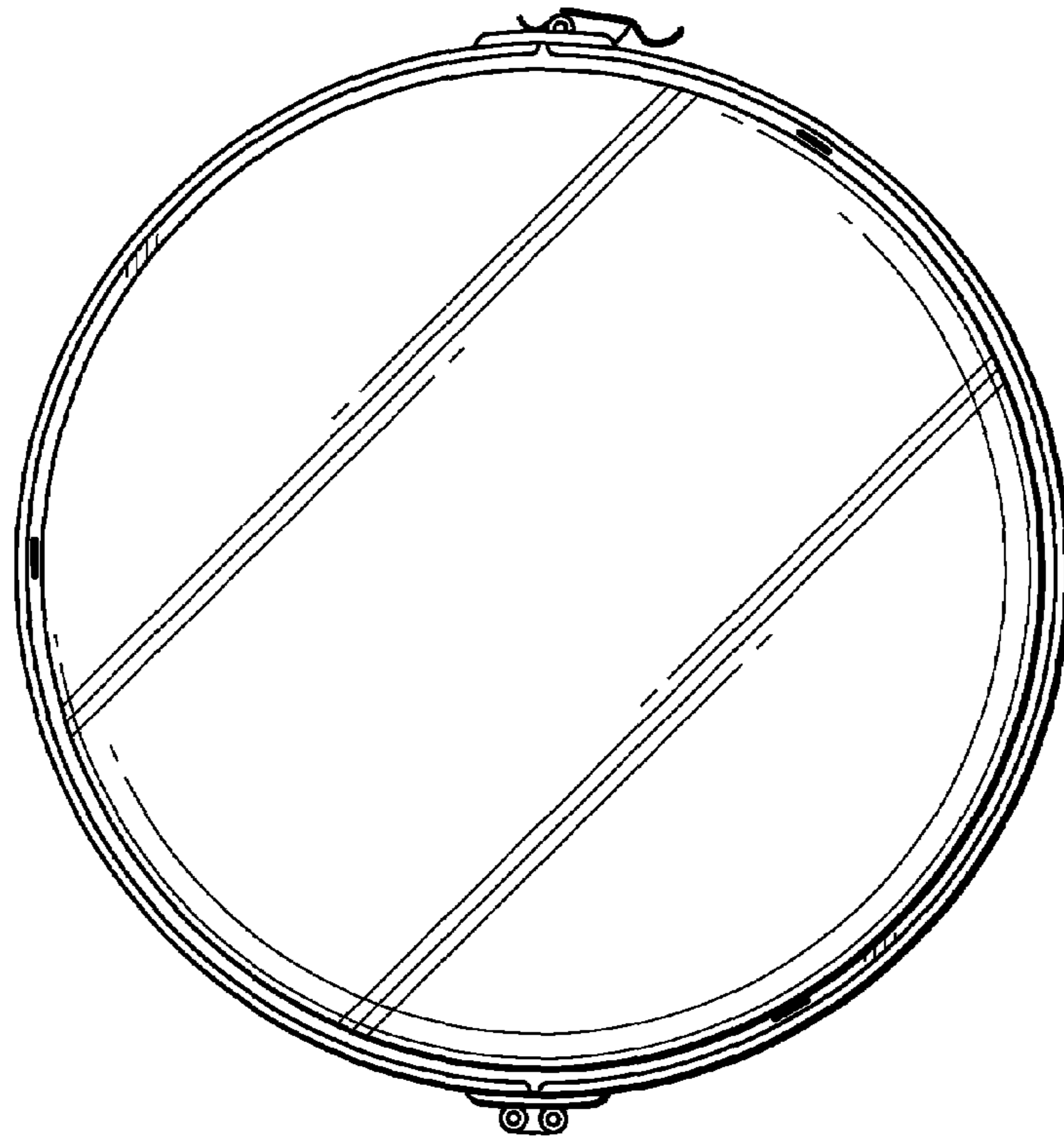


FIG. 4

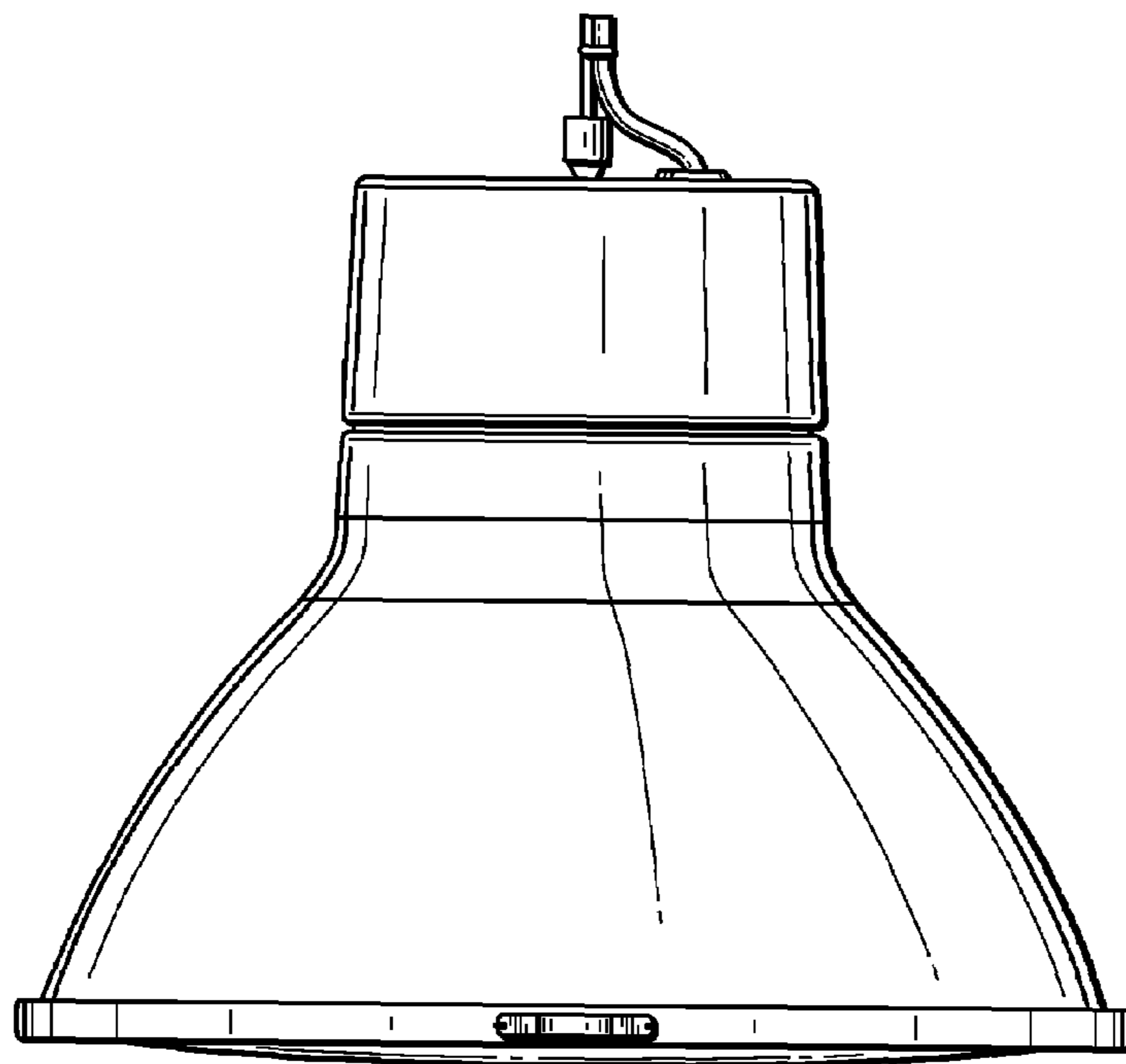


FIG. 5

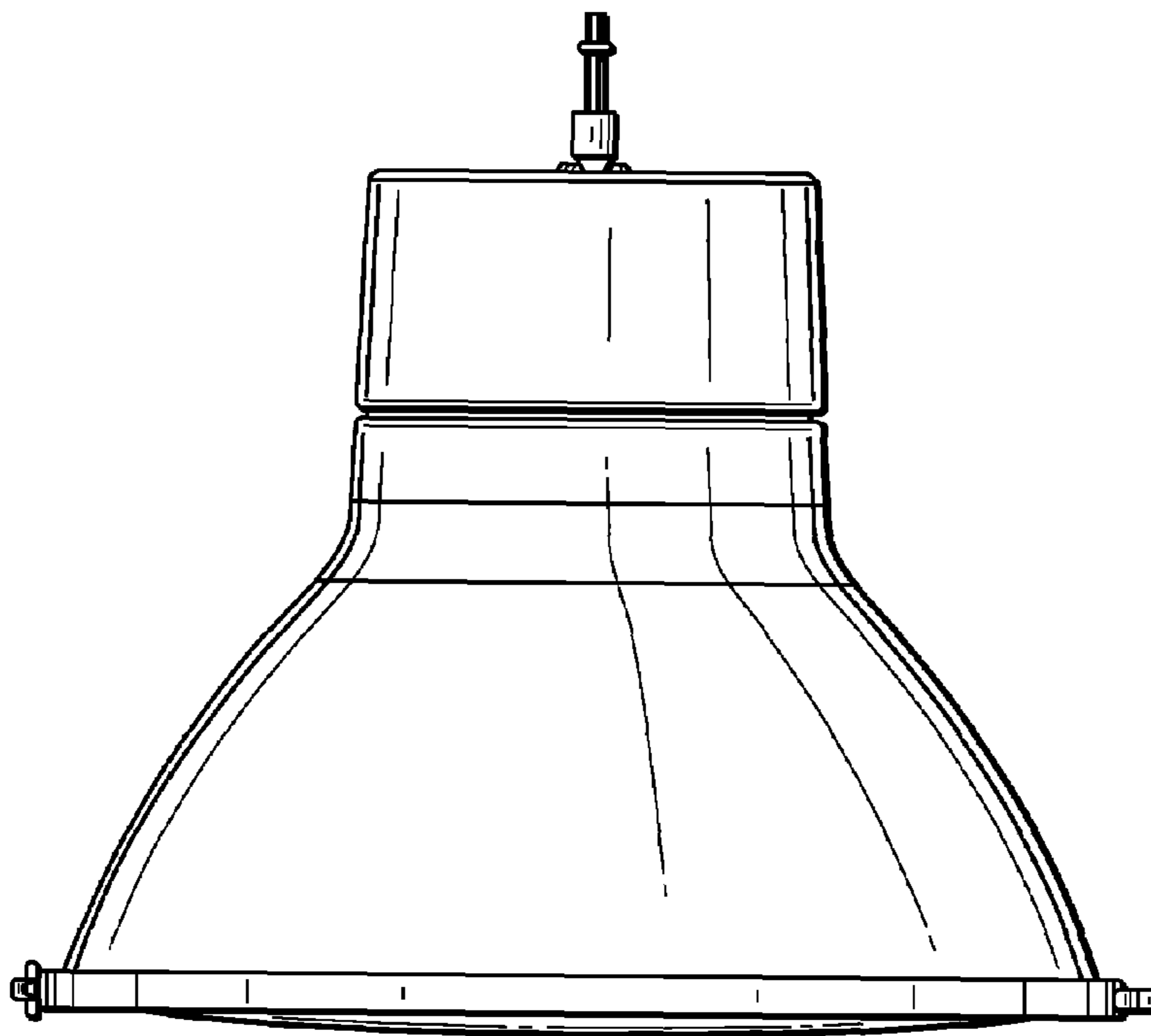


FIG. 6

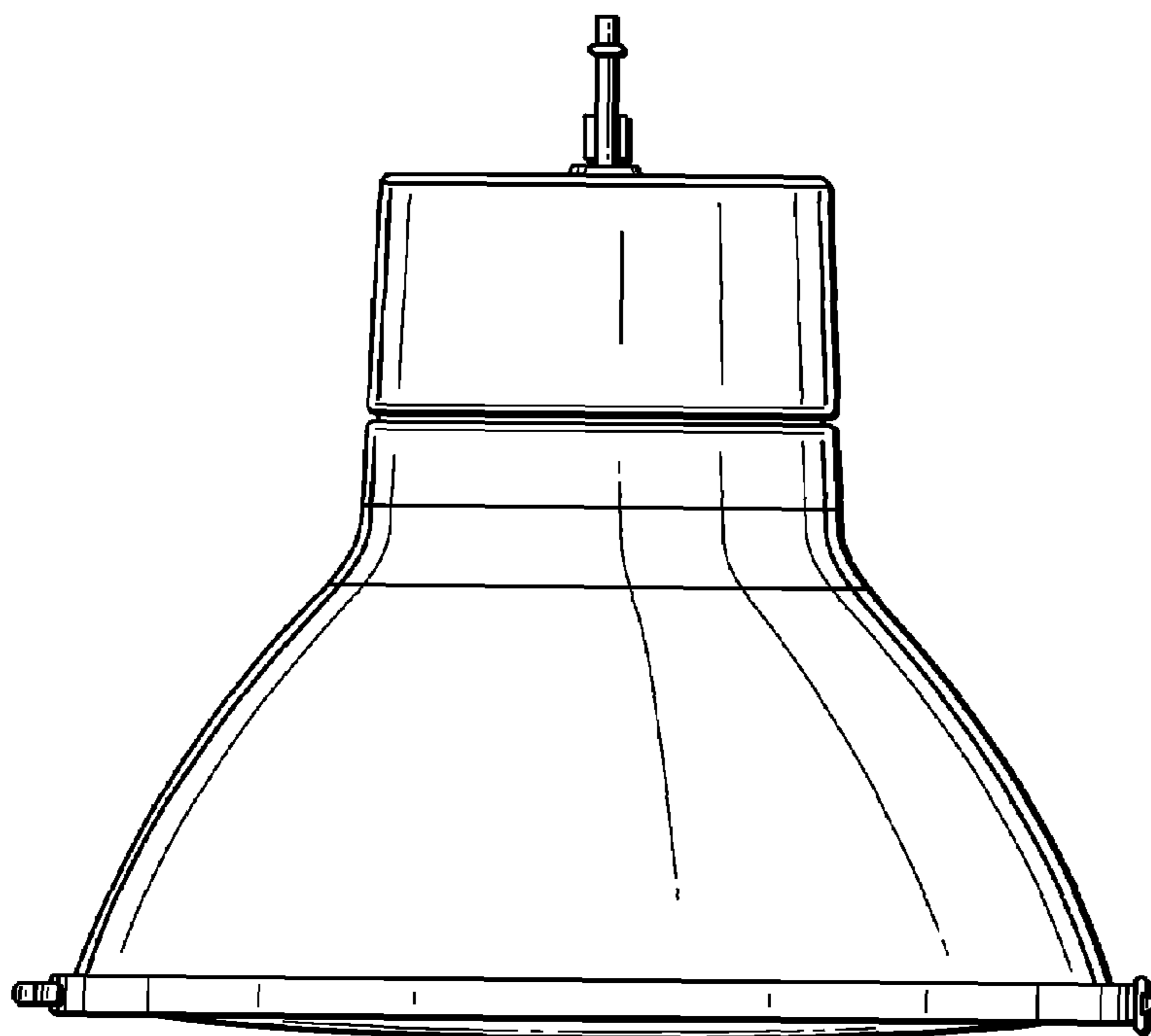


FIG. 7